



US00D864784S

(12) **United States Design Patent**
Zajc

(10) **Patent No.:** **US D864,784 S**

(45) **Date of Patent:** **** Oct. 29, 2019**

- (54) **CHRISTMAS TREE**
- (71) Applicant: **ZAJC DESIGN d.o.o., Škofja Loka (SI)**
- (72) Inventor: **Luka Zajc, Žabnica (SI)**
- (73) Assignee: **ZAJC DESIGN d.o.o., Škofja Loka (SI)**
- (**) Term: **15 Years**
- (21) Appl. No.: **29/655,459**
- (22) Filed: **Jul. 3, 2018**
- (51) **LOC (12) Cl.** **11-04**
- (52) **U.S. Cl.**
USPC **D11/118**
- (58) **Field of Classification Search**
USPC D11/117, 118, 121, 125, 130, 131, 157
CPC A47G 33/00; A47G 33/04; A47G 33/06;
A47G 33/08; A47G 33/0836; A47G
2033/0827; B44C 5/00; B44C 7/00
See application file for complete search history.

(56) **References Cited**

U.S. PATENT DOCUMENTS

D163,434 S *	5/1951	Willis	D11/118
2,757,472 A *	8/1956	Corwin	G09F 23/00 40/310
D179,349 S *	12/1956	Johnson	D11/125
D182,663 S *	4/1958	Hovlid	D6/674
D182,666 S *	4/1958	Hovlid	D6/674
2,841,901 A *	7/1958	Maple	A47F 7/143 428/9
D186,229 S *	9/1959	Benndoin	D11/118
2,951,303 A *	9/1960	Hovlid	A47F 7/143 211/50
D200,052 S *	1/1965	Haas et al.	D11/118
3,176,123 A *	3/1965	Blake	A47G 33/06 362/123
D218,689 S *	9/1970	Johnson	D11/125

3,674,612 A *	7/1972	Gehl	A47G 33/06 428/7
D269,771 S *	7/1983	Williams	D11/118
4,746,022 A *	5/1988	Benham	A47F 5/04 211/195
D347,598 S *	6/1994	Maddox, Jr.	D11/118
D360,380 S *	7/1995	Eckhart	D11/118
D384,174 S *	9/1997	Smith	D11/118
D408,319 S *	4/1999	Byers	D11/118
D442,115 S *	5/2001	Tsang	D11/118
D478,021 S *	8/2003	Duncan, Jr.	D11/118
7,163,725 B2 *	1/2007	Johnson	A41G 1/007 362/101
D612,286 S *	3/2010	Palmer	D11/118
D668,174 S *	10/2012	Bliss	D11/118
D711,770 S *	8/2014	Rahman	D11/118
D722,524 S *	2/2015	Bliss	D11/118
D775,997 S *	1/2017	Sebastiampillai	D11/118

(Continued)

Primary Examiner — Elizabeth J Oswecki

(74) *Attorney, Agent, or Firm* — Studebaker & Brackett PC

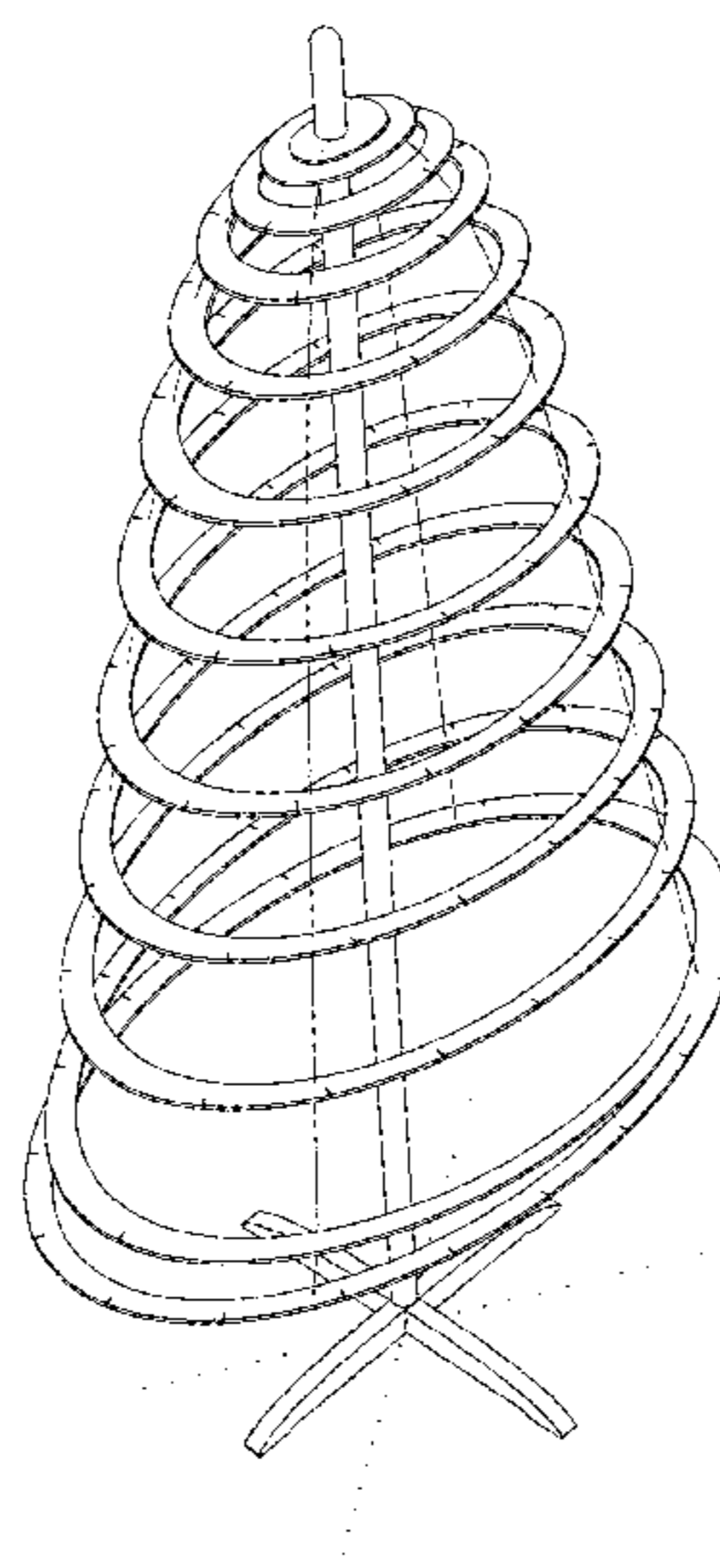
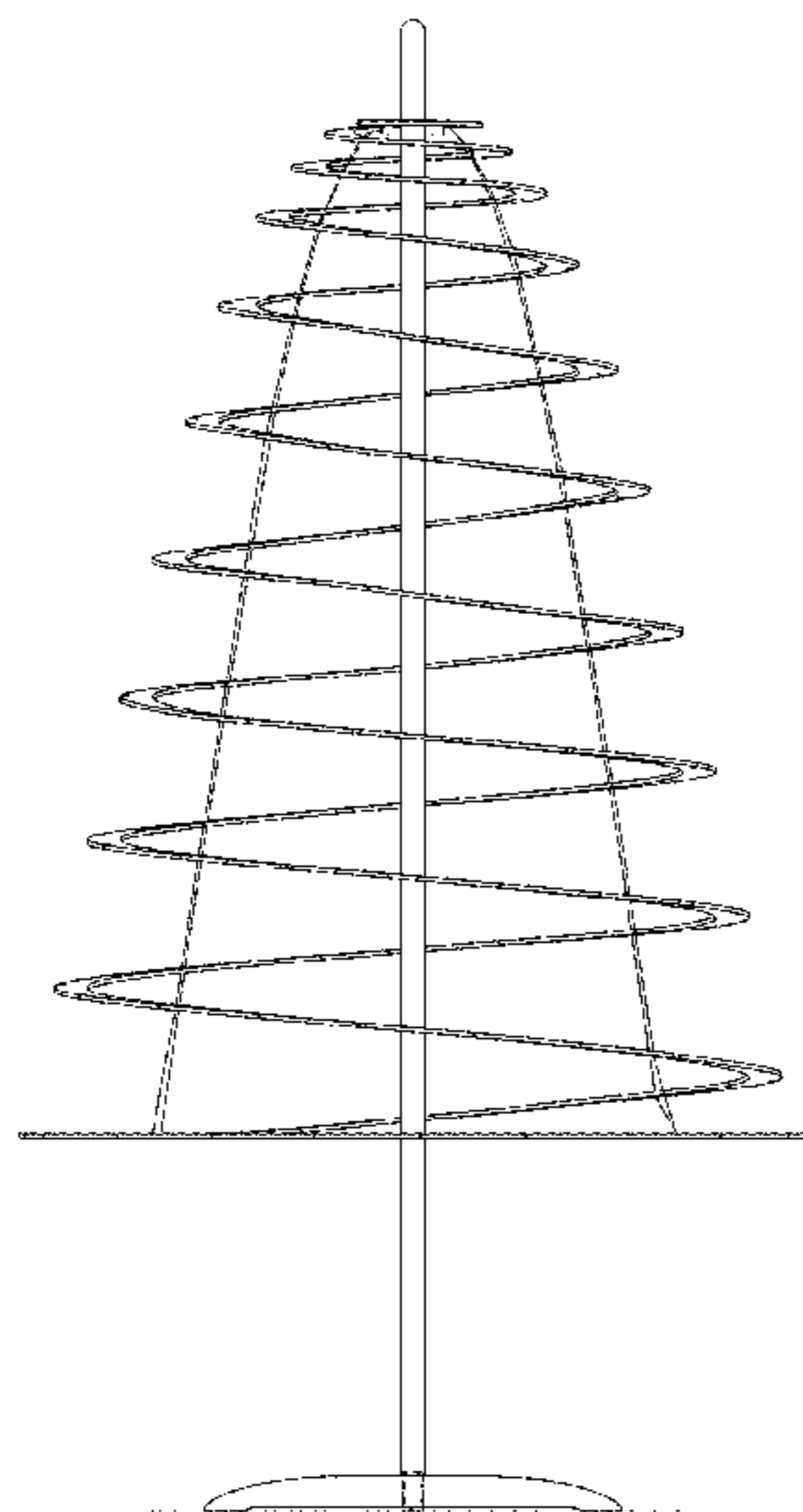
(57) **CLAIM**

The ornamental design for a Christmas tree, as shown and described.

DESCRIPTION

FIG. 1 is a front elevation view of a Christmas tree, showing my new design;
 FIG. 2 is a left side elevation view thereof;
 FIG. 3 is a rear elevation view thereof;
 FIG. 4 is a right side elevation view thereof;
 FIG. 5 is a front perspective view thereof;
 FIG. 6 is a top plan view thereof; and,
 FIG. 7 is a bottom plan view thereof.
 The broken lines shown in the drawings represent portions of the Christmas tree that form no part of the claimed design.

1 Claim, 6 Drawing Sheets



(56)

References Cited

U.S. PATENT DOCUMENTS

D793,900 S * 8/2017 de los Rios-Urban D11/118
D838,625 S * 1/2019 Bliss D11/118

* cited by examiner

FIG. 1

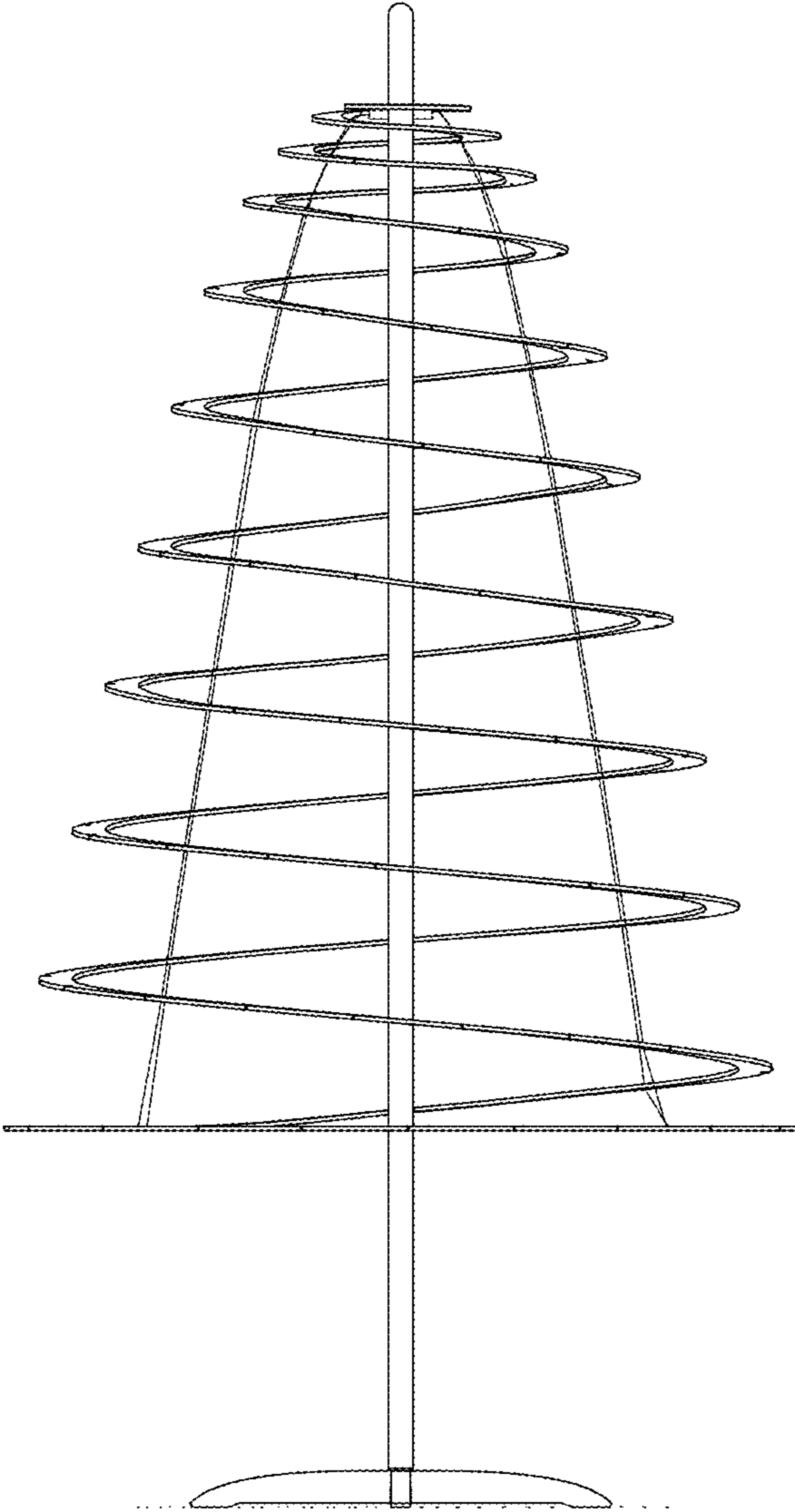


FIG. 2

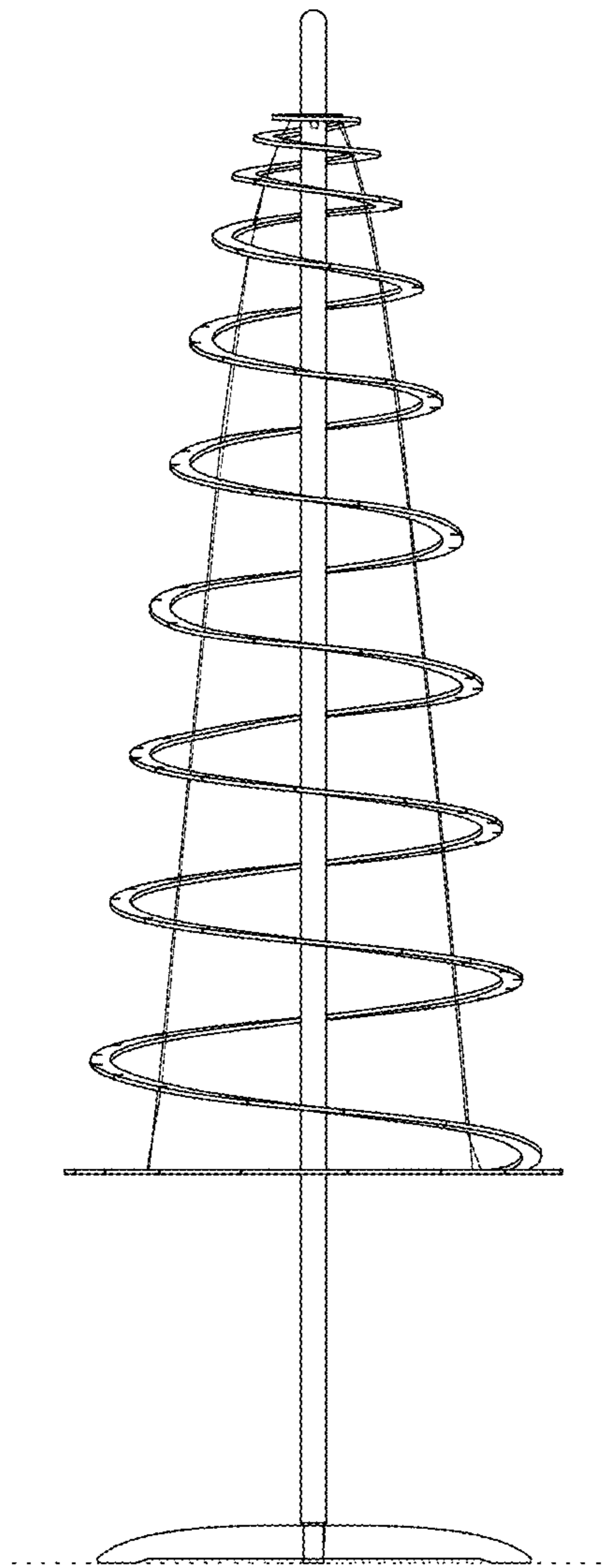


FIG. 3

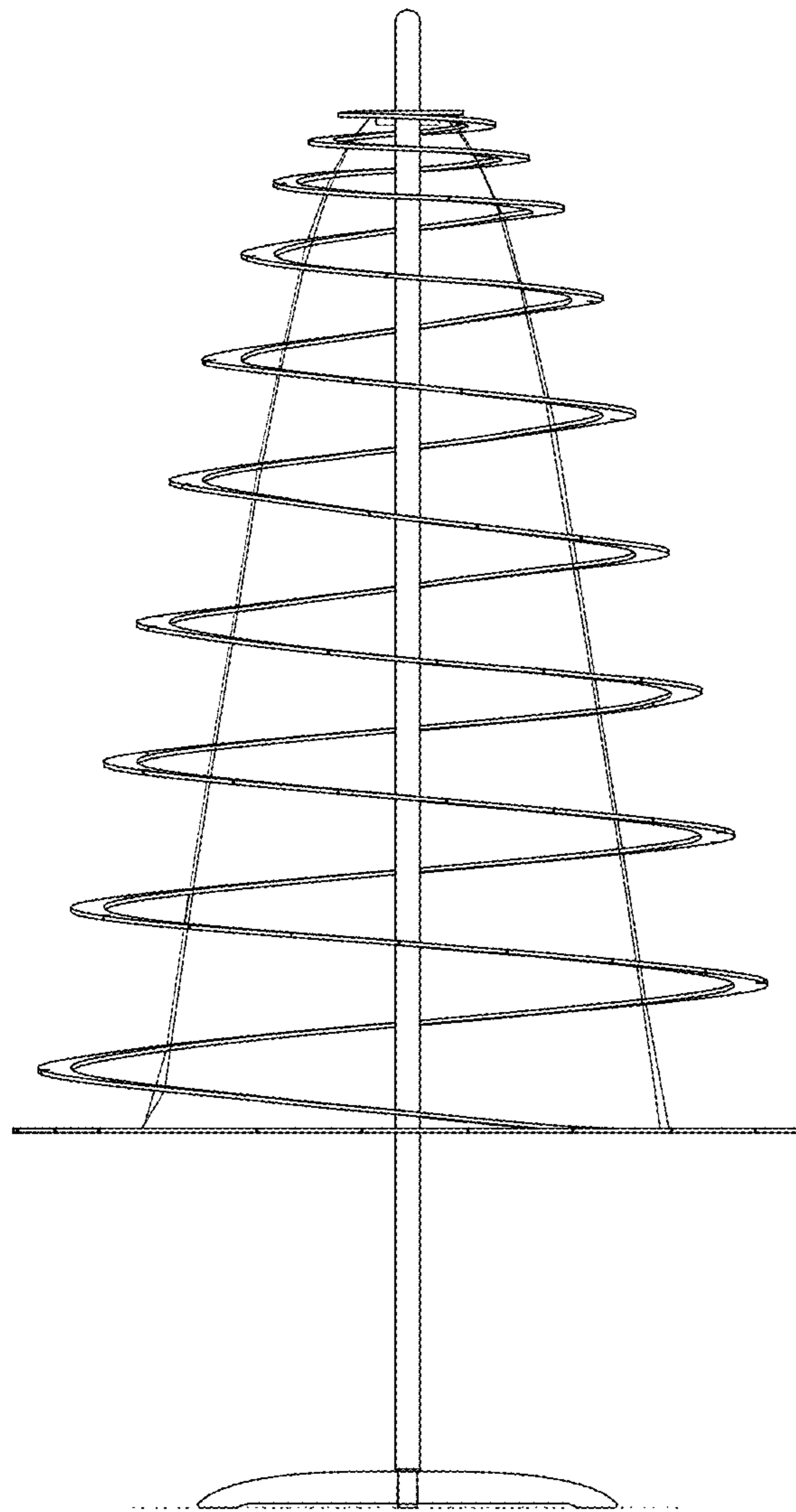


FIG. 4

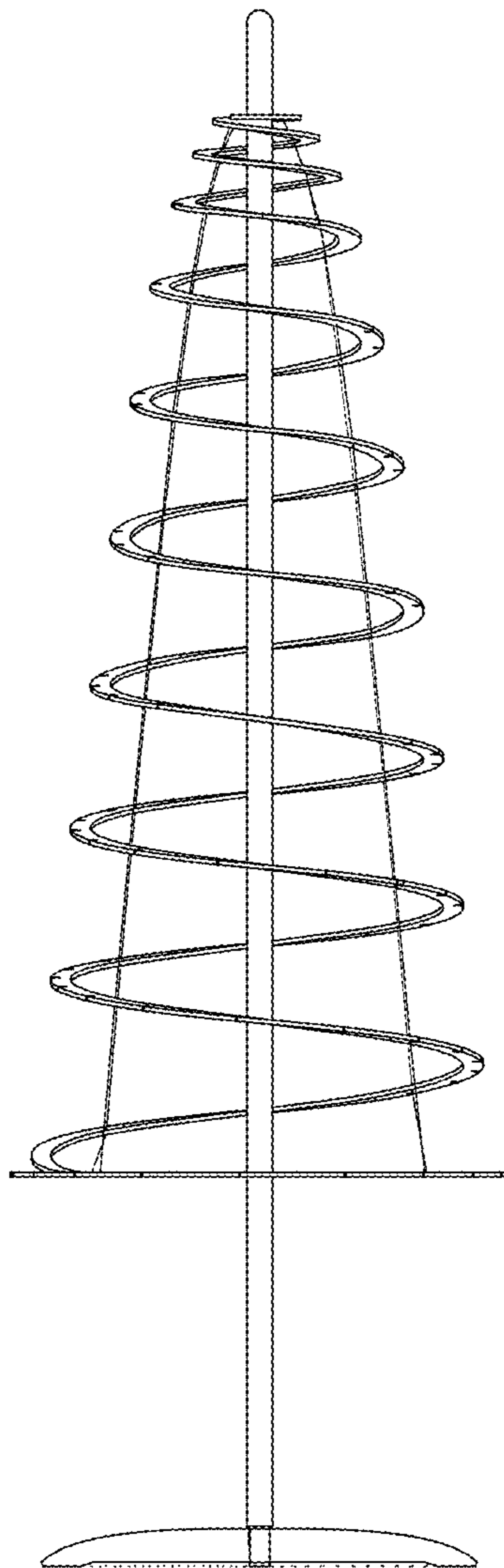
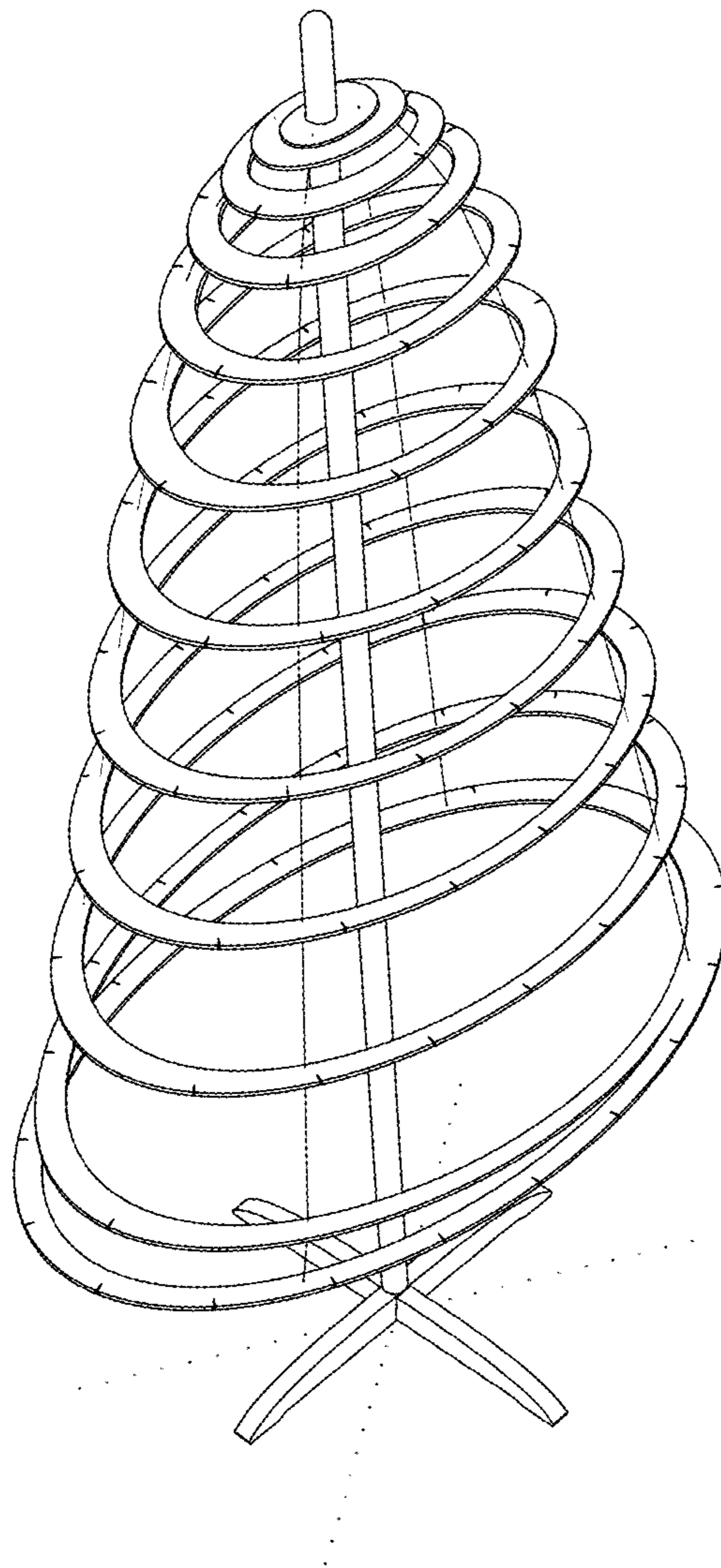


FIG. 5



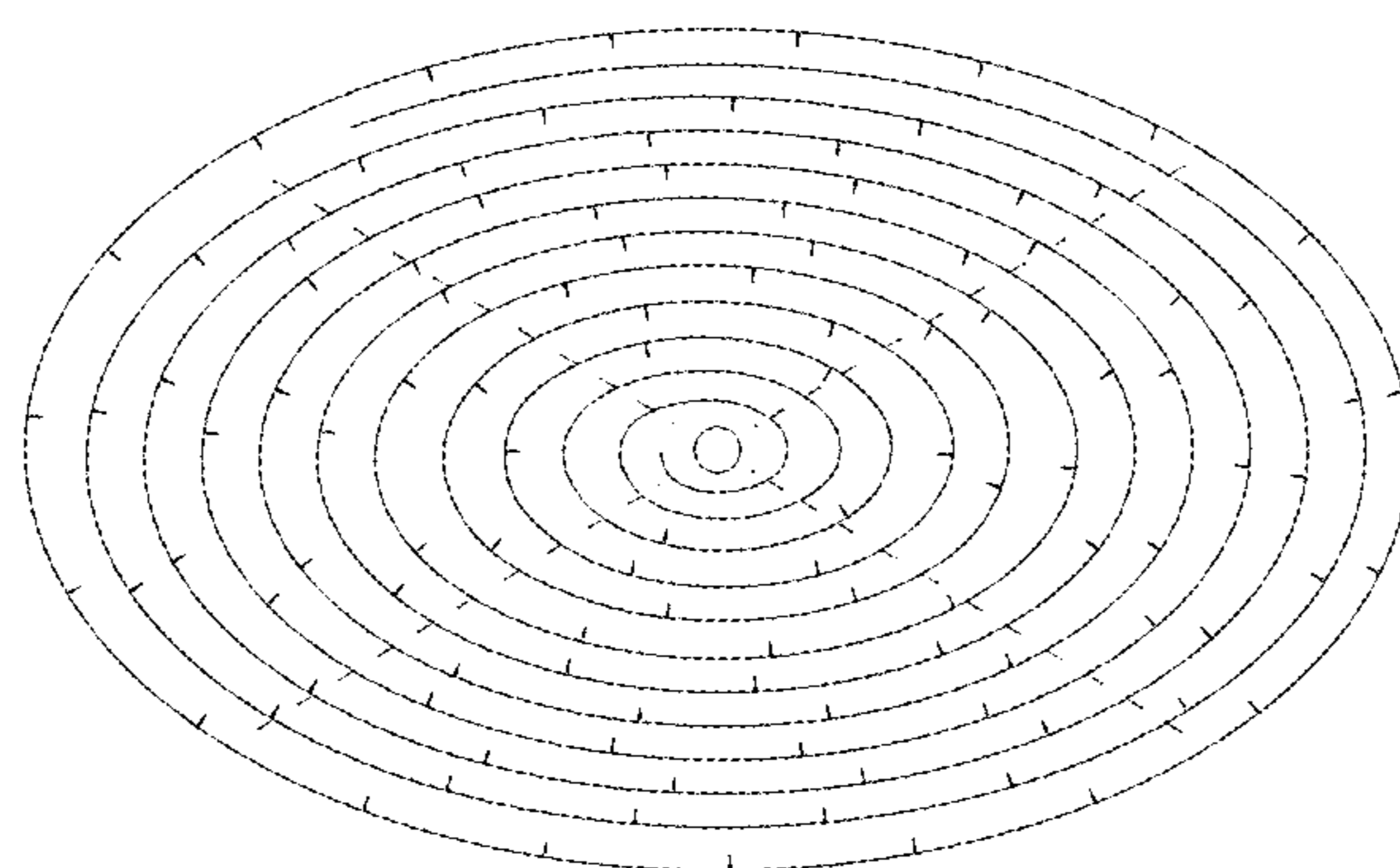


FIG. 6

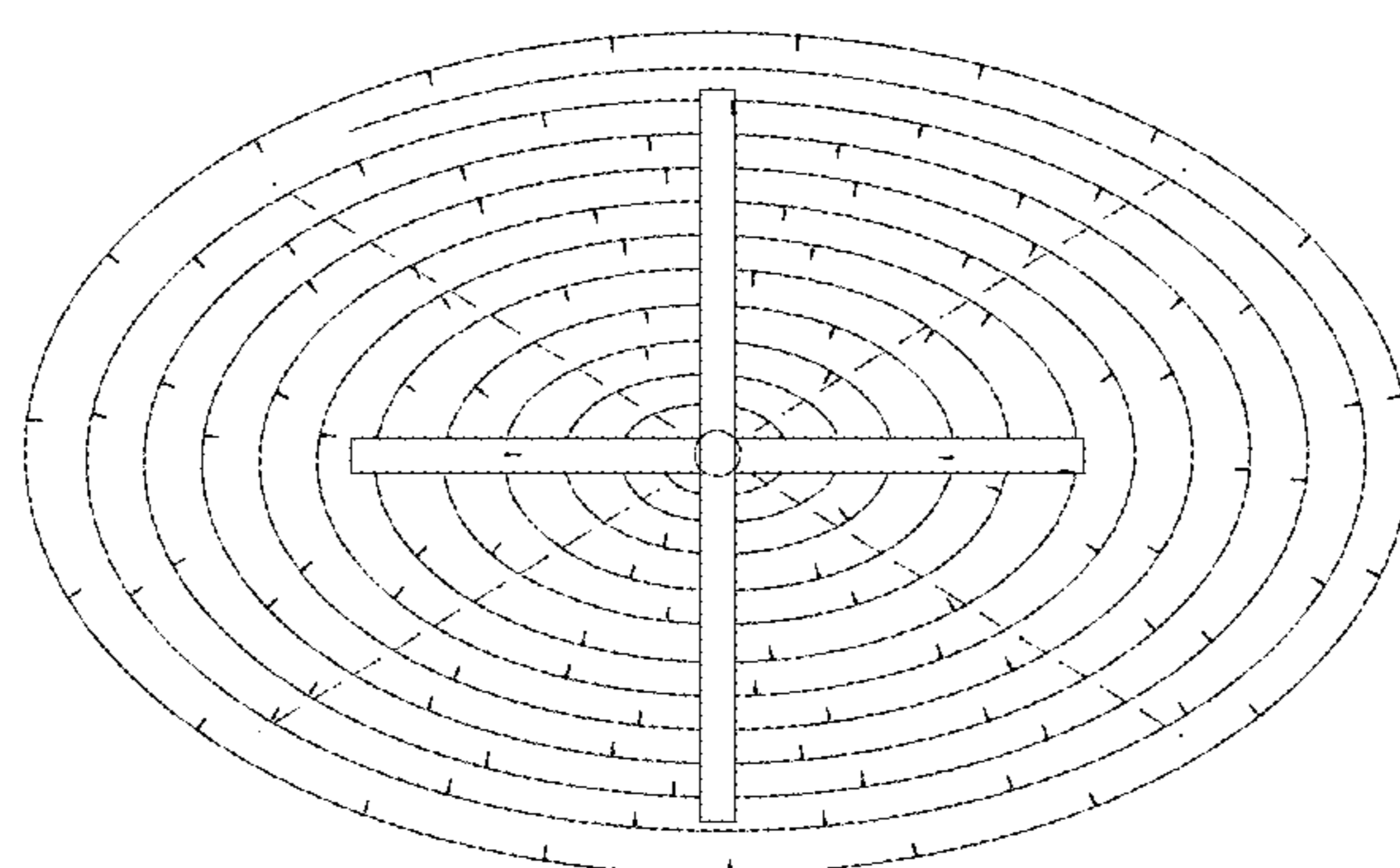


FIG. 7