



US00D864783S

(12) **United States Design Patent**
Partrat

(10) **Patent No.:** **US D864,783 S**

(45) **Date of Patent:** **** Oct. 29, 2019**

(54) **WRISTBAND**

(71) Applicant: **Evergreen Land Limited**, Central
Hong Kong (HK)

(72) Inventor: **Olivier Partrat**, Hong Kong (HK)

(73) Assignee: **Evergreen Land Limited**, Hong Kong
(HK)

(**) Term: **15 Years**

(21) Appl. No.: **29/626,962**

(22) Filed: **Nov. 21, 2017**

(30) **Foreign Application Priority Data**

May 22, 2017 (EM) 004013472-0001

(51) **LOC (12) Cl.** **11-01**

(52) **U.S. Cl.**
USPC **D11/3**

(58) **Field of Classification Search**

USPC D10/31, 32, 38, 39; D11/3-6, 17-25;
D14/344; D22/120, 122

CPC A44C 5/12; A44C 5/14; A44C 5/16; A44C
5/18; A44C 5/0053; A44C 5/0069; A44C
5/0076; A44C 5/00; A44C 5/0007; A44C
5/003; A44C 5/0061; A44C 5/142; A44C
5/147; A44C 5/185; A01M 1/2055

See application file for complete search history.

(56) **References Cited**

U.S. PATENT DOCUMENTS

1,780,407 A * 11/1930 Smith A01M 1/2044
119/654
4,963,410 A * 10/1990 Bryant A44B 18/00
24/16 R
D317,730 S * 6/1991 Mo 224/183
5,168,603 A * 12/1992 Reed A44B 18/00
24/16 PB
D333,626 S * 3/1993 Chang D10/32
D344,177 S * 2/1994 Mennie D2/610

D379,775 S * 6/1997 Gazzola D11/5
D383,692 S * 9/1997 Woo D11/3
D383,993 S * 9/1997 Kalbach D11/3
D390,492 S * 2/1998 Riley D11/5
D392,908 S * 3/1998 Anwyl-Davies D10/114.1
D497,826 S * 11/2004 Nelson D11/3
D505,478 S * 5/2005 Mondelli D22/122
D559,473 S * 1/2008 Nguyen D30/152
7,942,674 B2 * 5/2011 Murphy G09B 1/28
434/156

(Continued)

FOREIGN PATENT DOCUMENTS

EM 300978948.0000 * 11/2018

OTHER PUBLICATIONS

Mosquito Repellent Sport Band—Fuchsia (available online) Retrieved
from the internet May 28, 2019 from URL: [https://us.parakito.com/
shop/product/mosquito-repellent-sport-band-fuchsia](https://us.parakito.com/shop/product/mosquito-repellent-sport-band-fuchsia).*

Primary Examiner — Kevin K Rudzinski

Assistant Examiner — Richard Kearney

(74) *Attorney, Agent, or Firm* — Murtha Cullina LLP

(57) **CLAIM**

The ornamental design for a wristband, as shown and
described.

DESCRIPTION

FIG. 1 is a top plan view of a wristband in accordance with
the new design;

FIG. 2 is a top and left side isometric view thereof;

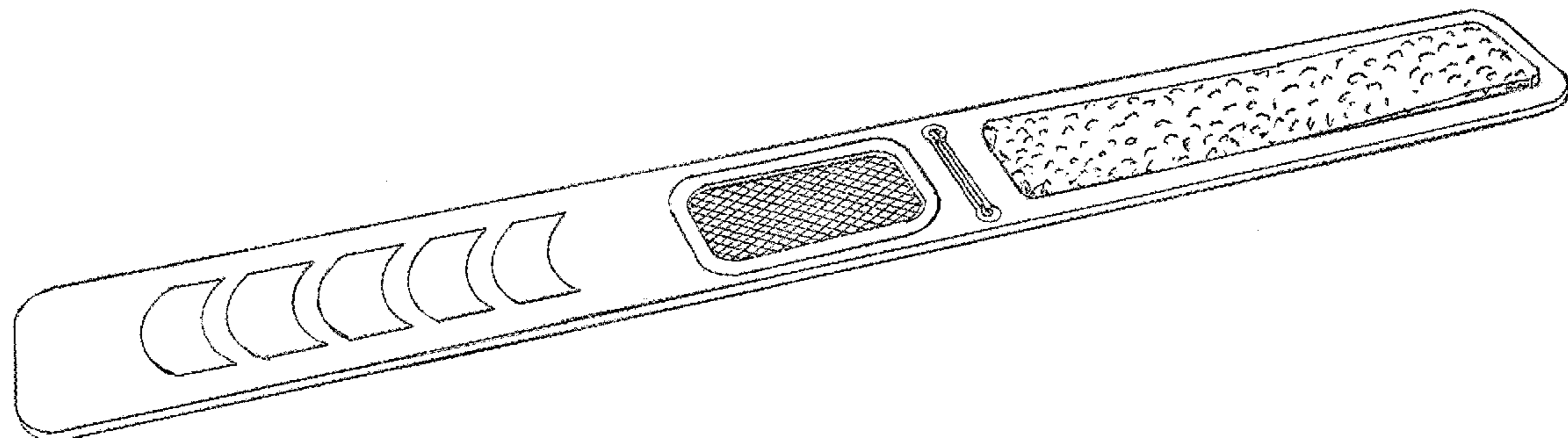
FIG. 3 is a bottom plan view thereof;

FIG. 4 is a left side elevational view thereof; the right side
elevational view being a mirror image thereof;

FIG. 5 is a front elevation view thereof showing the wrist-
band in an inverted orientation; and,

FIG. 6 is a rear elevation view thereof showing the wrist-
band in a normal, non-inverted orientation.

1 Claim, 4 Drawing Sheets



(56)

References Cited

U.S. PATENT DOCUMENTS

D667,043	S	*	9/2012	Couch, III	D16/237
D702,315	S	*	4/2014	Partrat	D22/122
D750,070	S	*	2/2016	Magi	D14/344
D762,263	S	*	7/2016	Canchola	D20/27
D809,088	S	*	1/2018	Borovicka	D22/122
D823,671	S	*	7/2018	Rothbaum	D8/356
D826,366	S	*	8/2018	Van Popering	D22/122
D826,763	S	*	8/2018	Chuang	D11/3
D837,082	S	*	1/2019	Akana	D11/3
2003/0172436	A1	*	9/2003	Thompson	A44C 5/0007 2/170

* cited by examiner

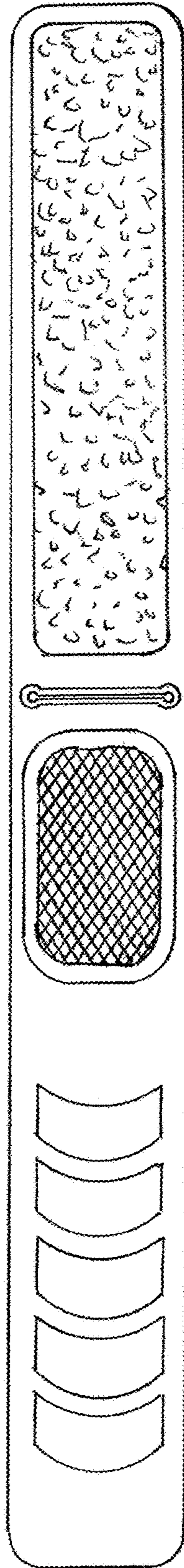


FIG. 1

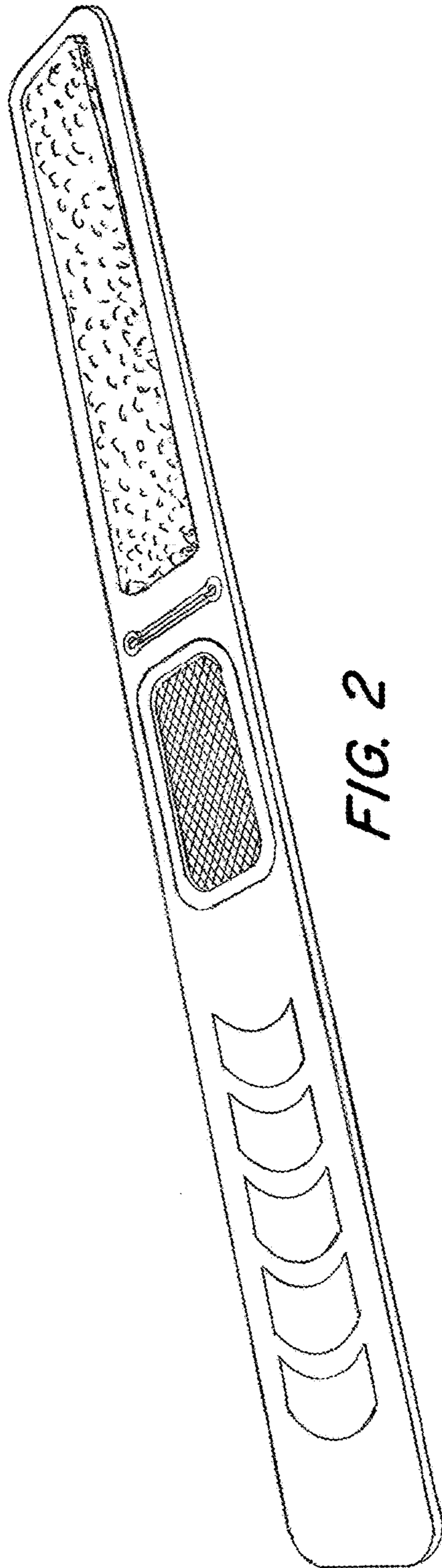


FIG. 2

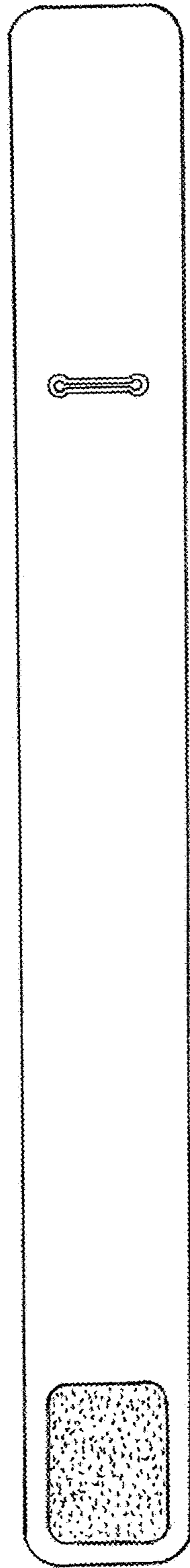


FIG. 3

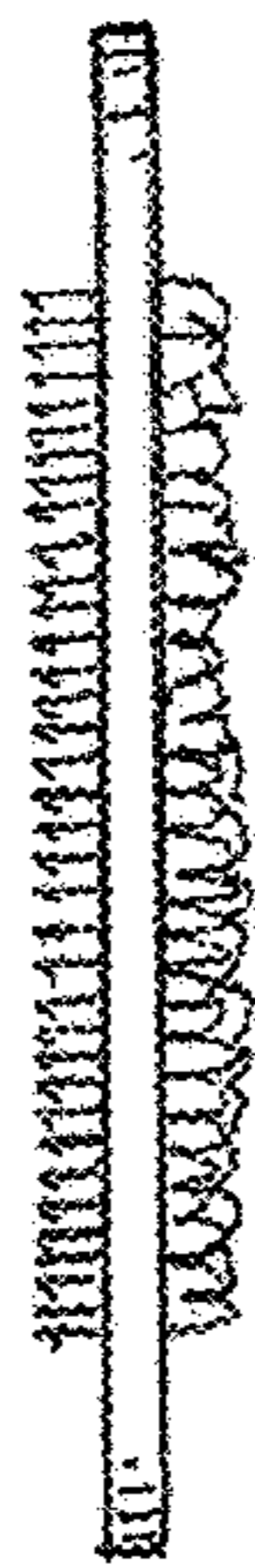


FIG. 5

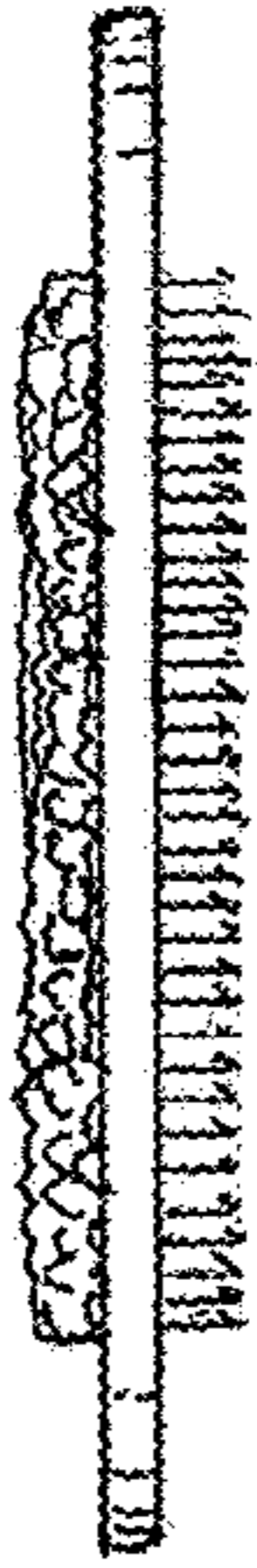


FIG. 6

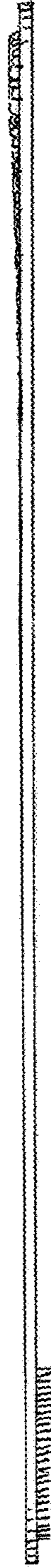


FIG. 4