



US00D864781S

(12) **United States Design Patent** (10) **Patent No.:** **US D864,781 S**  
**Behling et al.** (45) **Date of Patent:** **\*\* Oct. 29, 2019**

(54) **WATCH MOVEMENT** 7,905,655 B2 \* 3/2011 Jolidon ..... G04B 1/12  
 368/101  
 (71) Applicant: **LVMH Swiss Manufactures SA**, La D636,692 S \* 4/2011 Pospieszny ..... D10/129  
 Chaux-de-Fonds (CH) D658,516 S \* 5/2012 Mille ..... D10/39  
 8,498,180 B2 \* 7/2013 Ruchonnet ..... G04B 19/207  
 368/140  
 (72) Inventors: **Christoph Behling**, London (GB); D708,075 S \* 7/2014 Mille ..... D10/39  
**Gaylord Geneau de Lamarliere**, Le D739,286 S \* 9/2015 Fazio ..... D10/129  
 Cerneux-Veusil (CH) D739,287 S \* 9/2015 Fazio ..... D10/129  
 D739,288 S \* 9/2015 Fazio ..... D10/129  
 D742,271 S \* 11/2015 Boulangeot ..... D10/129  
 (73) Assignee: **LVMH SWISS MANUFACTURES** D743,814 S \* 11/2015 Miodrag ..... D10/125  
**SA**, La Chaux-de-Fonds (CH) D748,517 S \* 2/2016 Fazio ..... D10/129  
 D756,245 S \* 5/2016 Mille ..... D10/126  
 9,645,550 B2 \* 5/2017 Corthesy ..... G04B 17/285  
 (\*\*) Term: **15 Years** 2003/0185105 A1 \* 10/2003 Scheufele ..... G04B 17/285  
 368/124

(21) Appl. No.: **29/616,786**

(22) Filed: **Sep. 8, 2017**

(30) **Foreign Application Priority Data**

Mar. 17, 2017 (WO) ..... DM/096 227

(51) **LOC (12) Cl.** ..... **10-07**

(52) **U.S. Cl.**  
USPC ..... **D10/129**

(58) **Field of Classification Search**  
USPC ..... D10/1-3, 6, 14-16, 23, 30-39, 41, 65,  
D10/70, 122-132; D11/95, 101, 107,  
D11/109, 110, 224; D14/344  
See application file for complete search history.

(56) **References Cited**

**U.S. PATENT DOCUMENTS**

3,621,647 A \* 11/1971 Erard ..... G04B 5/02  
 368/148  
 D336,865 S \* 6/1993 Besson ..... D10/128  
 D483,284 S \* 12/2003 Chien ..... D10/129  
 D611,866 S \* 3/2010 Dias ..... D10/129  
 D627,250 S \* 11/2010 Dias ..... D10/125  
 D629,322 S \* 12/2010 Behling ..... D10/124

(Continued)

*Primary Examiner* — Karen E Kearney  
*Assistant Examiner* — Katherine Glennon  
 (74) *Attorney, Agent, or Firm* — Brinks Gilson & Lione;  
 John C. Freeman

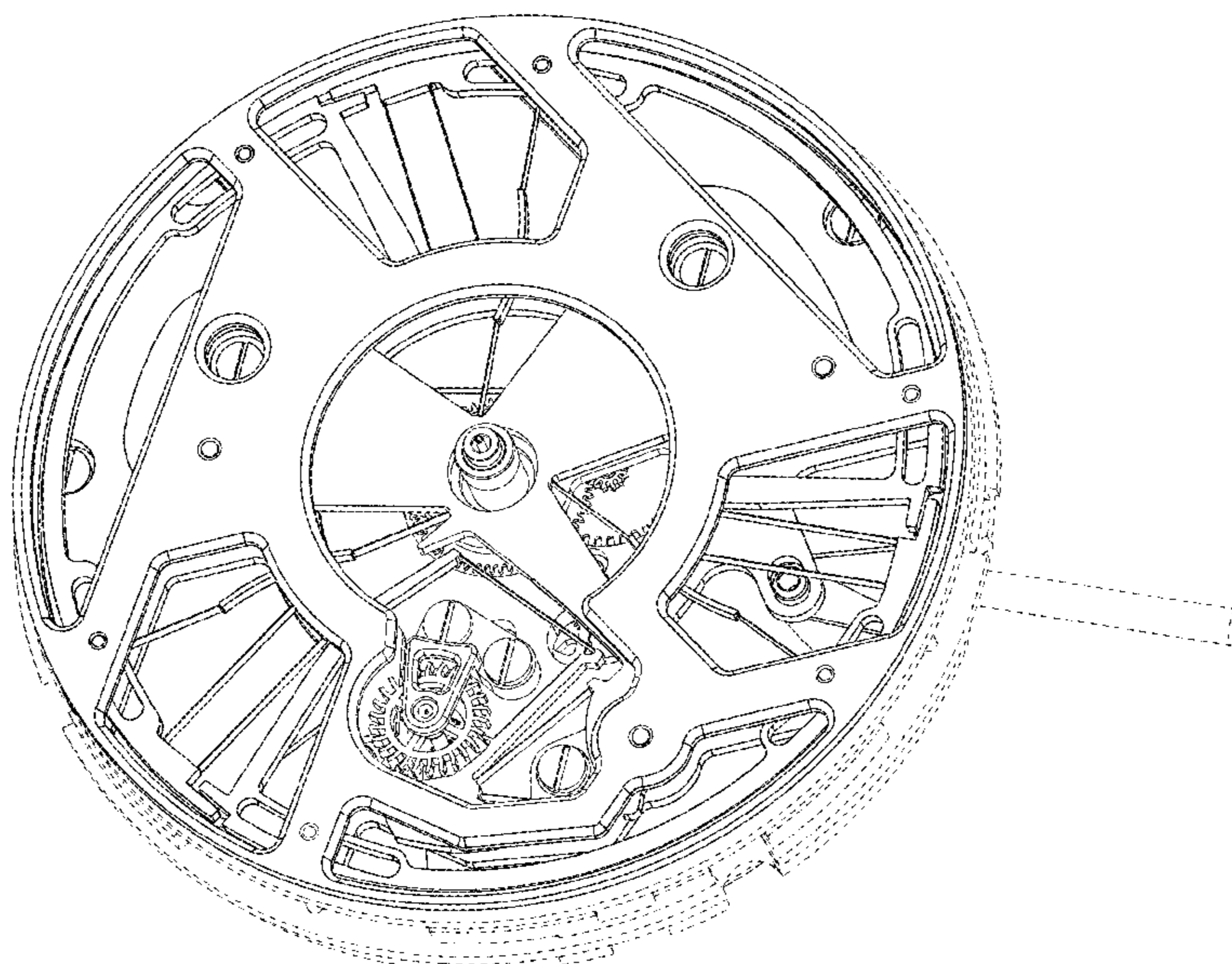
(57) **CLAIM**

The ornamental design for a watch movement, as shown and described.

**DESCRIPTION**

FIG. 1 is a perspective view of a watch movement according to the present invention;  
 FIG. 2 is a top view;  
 FIG. 3 is a bottom side view;  
 FIG. 4 is a front side view;  
 FIG. 5 is a rear view;  
 FIG. 6 is a left side view; and,  
 FIG. 7 is a right side view.  
 The ornamental design which is claimed is shown in solid lines in the drawings. The broken lines showing of portions of the article form no part of the claimed design.

**1 Claim, 7 Drawing Sheets**



(56)

**References Cited**

U.S. PATENT DOCUMENTS

2008/0074952 A1\* 3/2008 Racine ..... G04B 19/247  
368/38  
2008/0084793 A1\* 4/2008 Greubel ..... G04B 17/285  
368/127  
2010/0046328 A1\* 2/2010 Olsen ..... G04B 19/04  
368/30  
2013/0148479 A1\* 6/2013 Peters ..... G04B 13/00  
368/127  
2015/0220062 A1\* 8/2015 Donze ..... G04B 17/285  
368/202  
2017/0031321 A1\* 2/2017 Buttet ..... G04B 19/06

\* cited by examiner

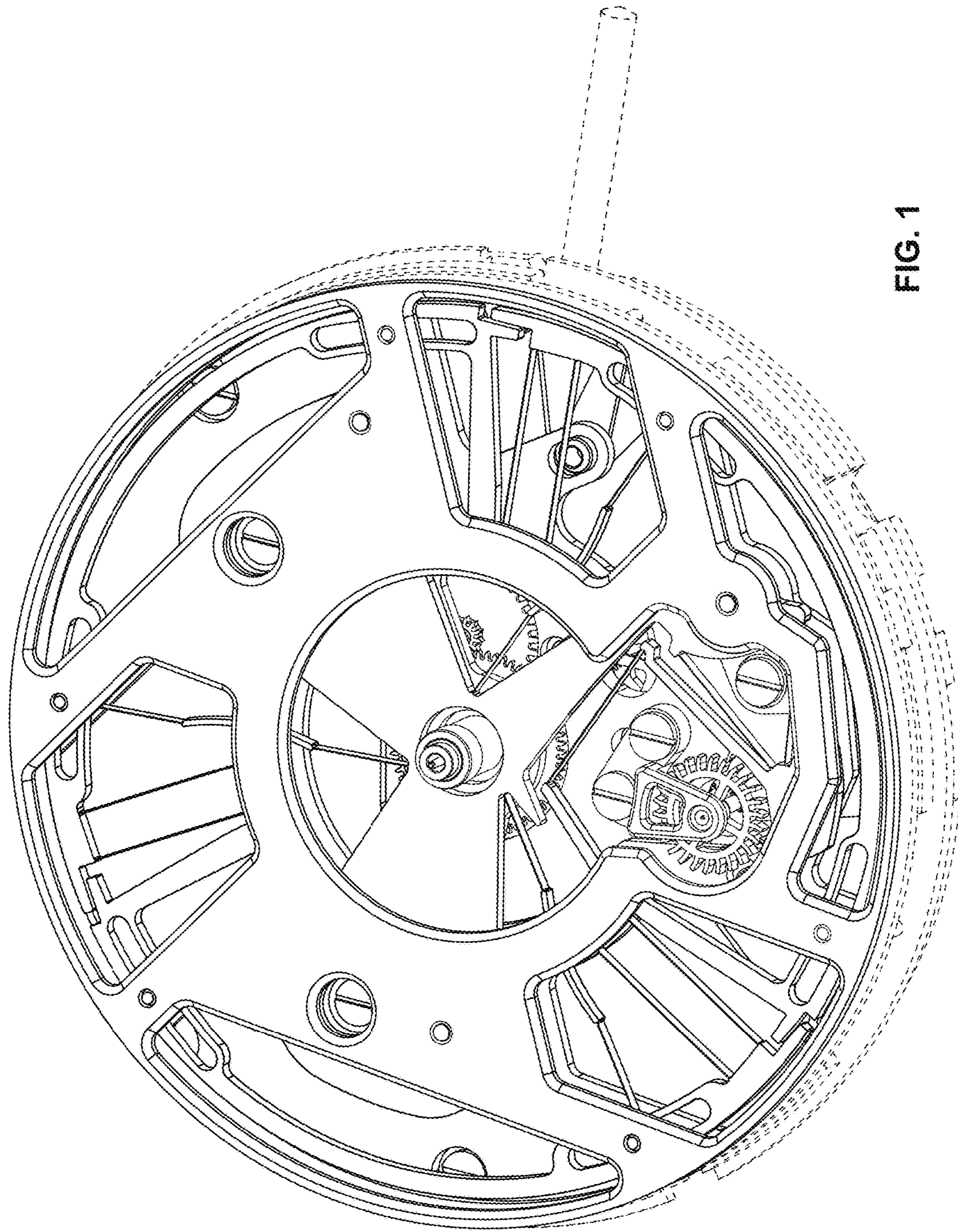


FIG. 1

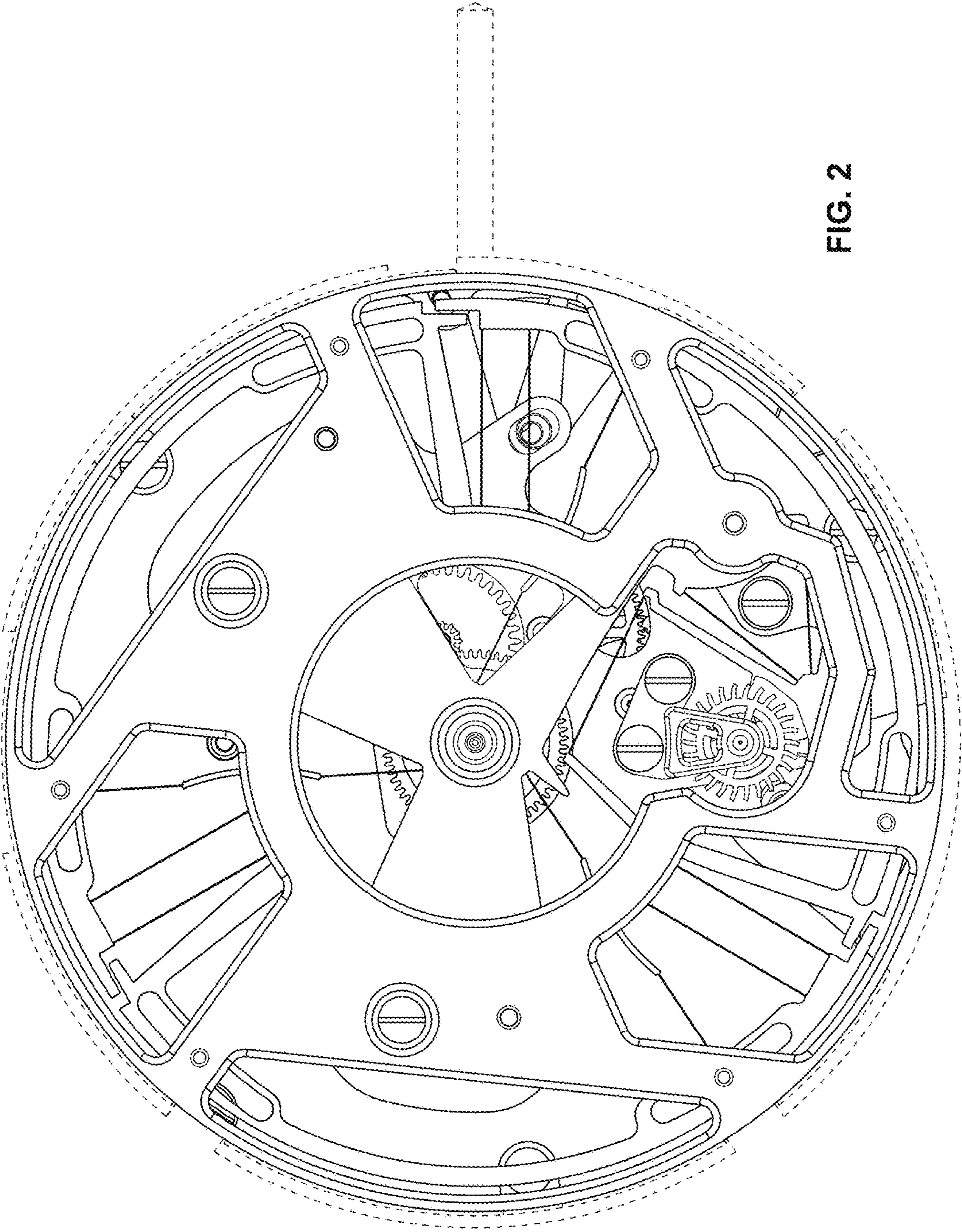


FIG. 2

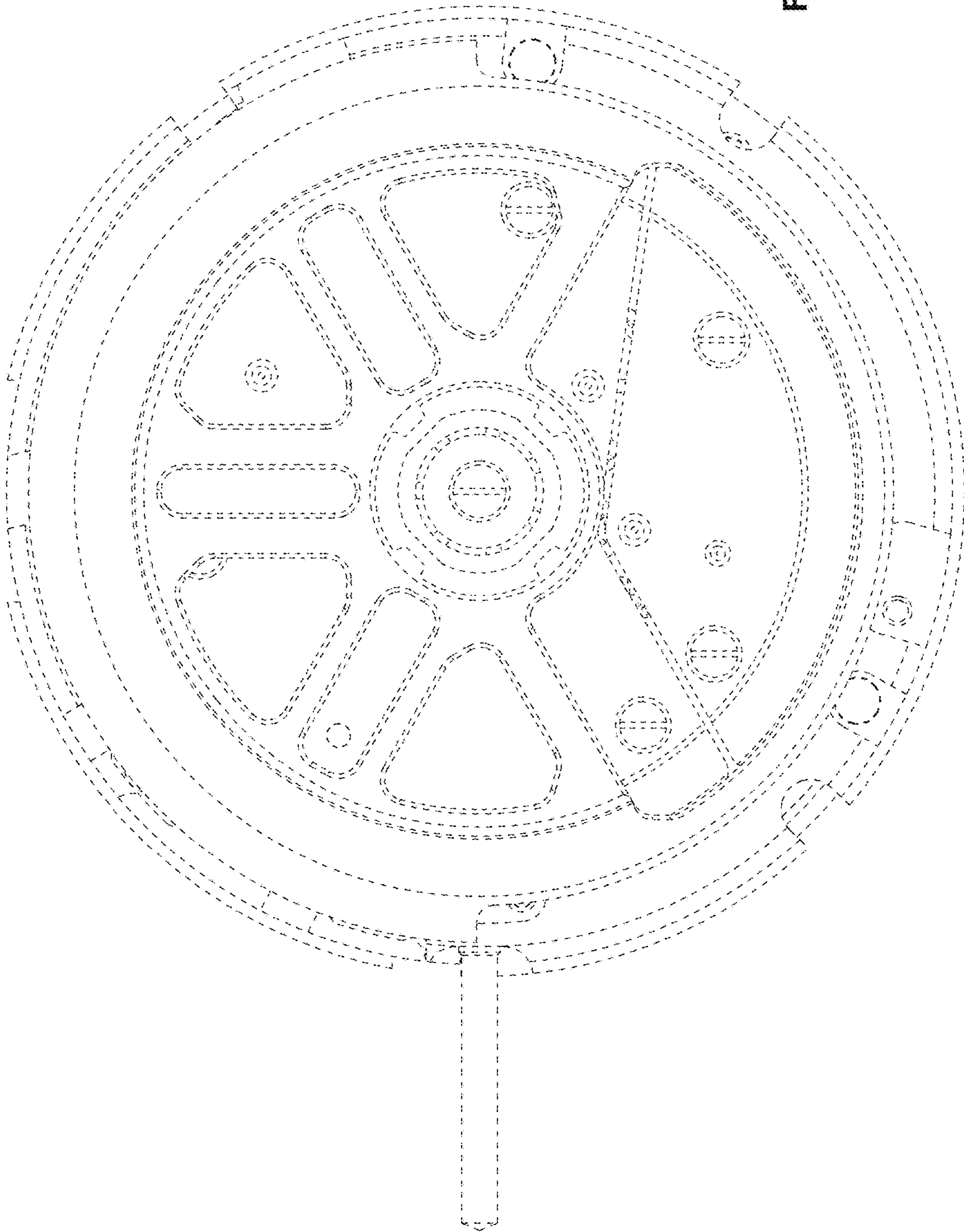


FIG. 3

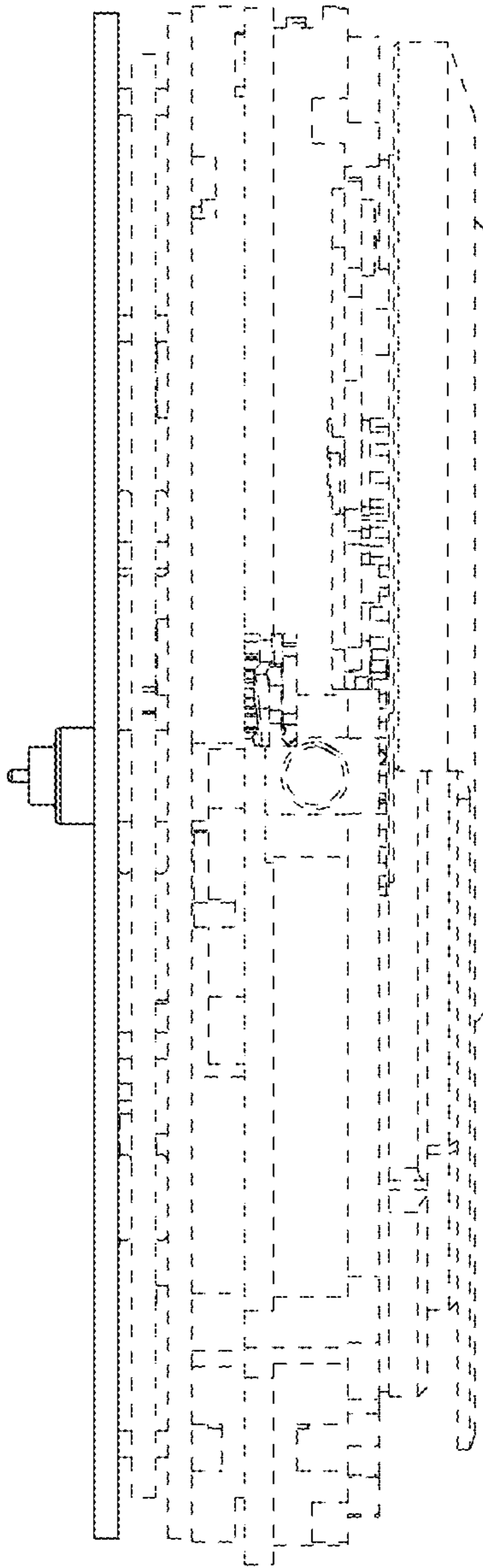


FIG. 4

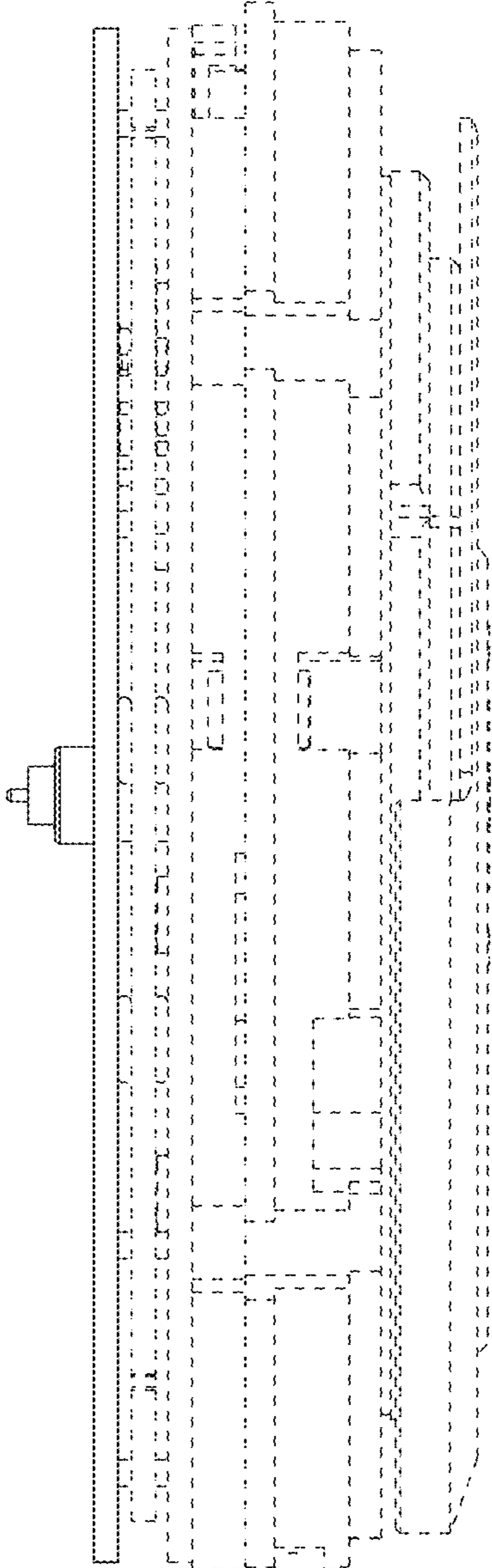


FIG. 5

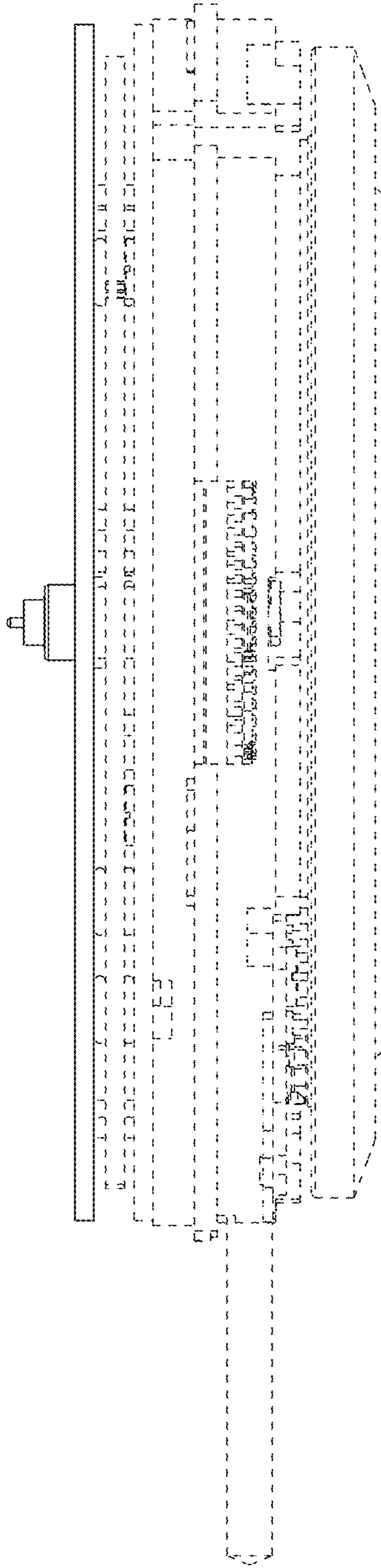


FIG. 6



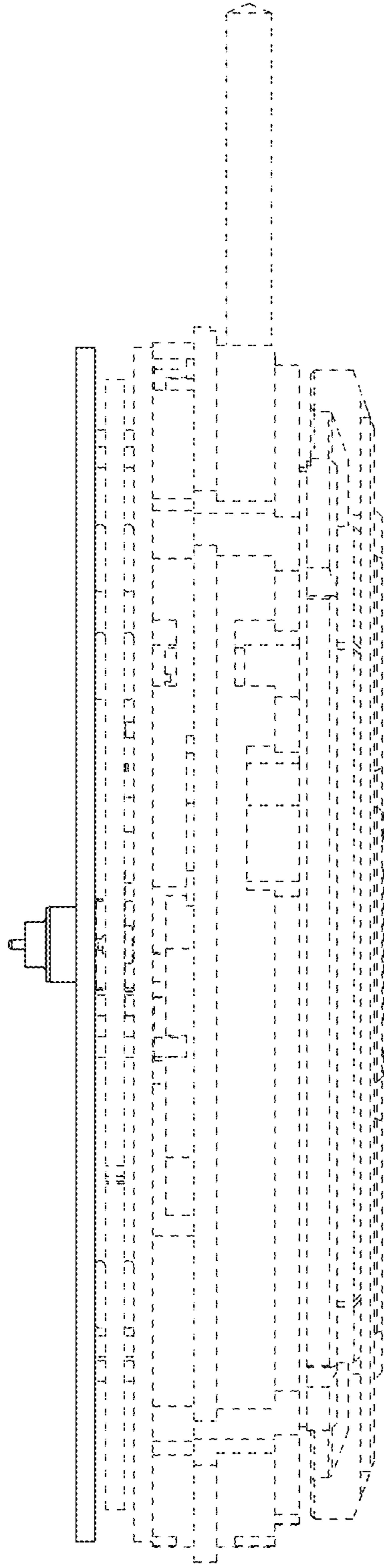


FIG. 7