



US00D864777S

(12) **United States Design Patent**
Sokol et al.

(10) **Patent No.:** **US D864,777 S**

(45) **Date of Patent:** **** Oct. 29, 2019**

(54) **FLOW TUBE**

(71) Applicant: **Sensus Spectrum, LLC**, Morrisville, NC (US)

(72) Inventors: **Benjamin John Sokol**, Carrboro, NC (US); **David Healy**, Suffolk (GB); **Eric Frazee**, Holly Springs, NC (US); **Hilary Jane Meanwell**, Essex (GB); **Charlie Paterson**, Cambridgeshire (GB)

(73) Assignee: **Sensus Spectrum, LLC**, Morrisville, NC (US)

(**) Term: **15 Years**

(21) Appl. No.: **29/656,581**

(22) Filed: **Jul. 13, 2018**

(51) **LOC (12) Cl.** **10-04**

(52) **U.S. Cl.**
USPC **D10/103**

(58) **Field of Classification Search**
USPC D10/96, 99, 103
CPC H01Q 1/2233; H01Q 1/1214; H01Q 7/00;
H04B 5/0043; G01L 1/16; G01L 5/042;
G01F 1/667; G01B 7/18

See application file for complete search history.

(56) **References Cited**

U.S. PATENT DOCUMENTS

9,080,906 B2 * 7/2015 Sorensen G01F 1/667
9,970,799 B2 * 5/2018 Nielsen G01F 1/667
10,276,917 B2 * 4/2019 Christiansen H01Q 1/2233

* cited by examiner

Primary Examiner — Antoine Duval Davis

(74) *Attorney, Agent, or Firm* — Stanek Lemon Crouse & Meeks, PA

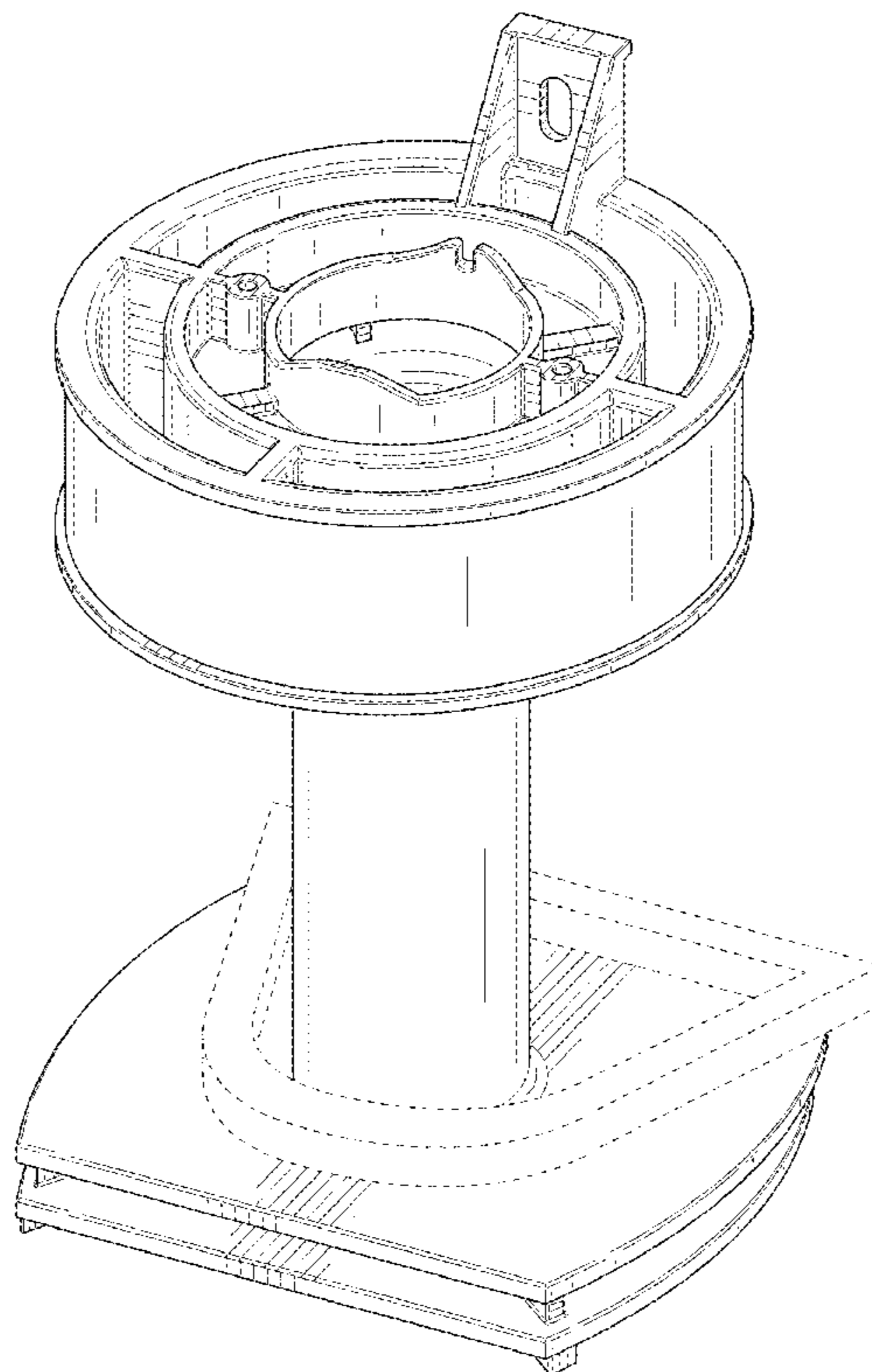
(57) **CLAIM**

The ornamental design for a flow tube, as shown and described.

DESCRIPTION

FIG. 1 is a perspective view of a flow tube showing our design;
FIG. 2 is a first side view thereof;
FIG. 3 is a second side view thereof, opposite that shown in FIG. 2;
FIG. 4 is another side view thereof, 90 degrees offset from that shown in FIG. 2;
FIG. 5 is another side view thereof, opposite that shown in FIG. 4;
FIG. 6 is a top view of the flow tube; and,
FIG. 7 is a bottom view thereof.
The broken lines shown herein are for illustrative purposes only and form no part of the claimed design.

1 Claim, 6 Drawing Sheets



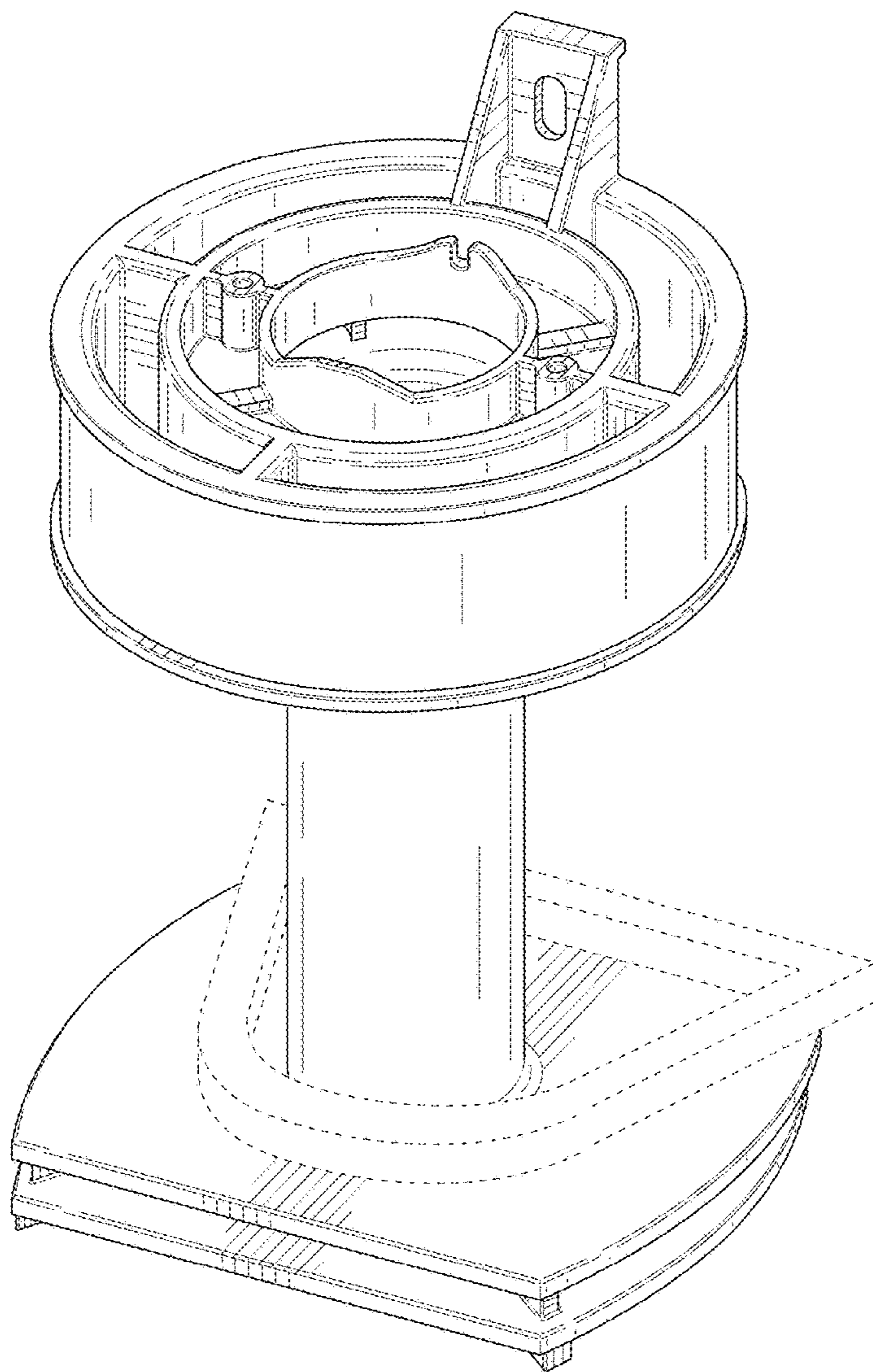


FIG. 1

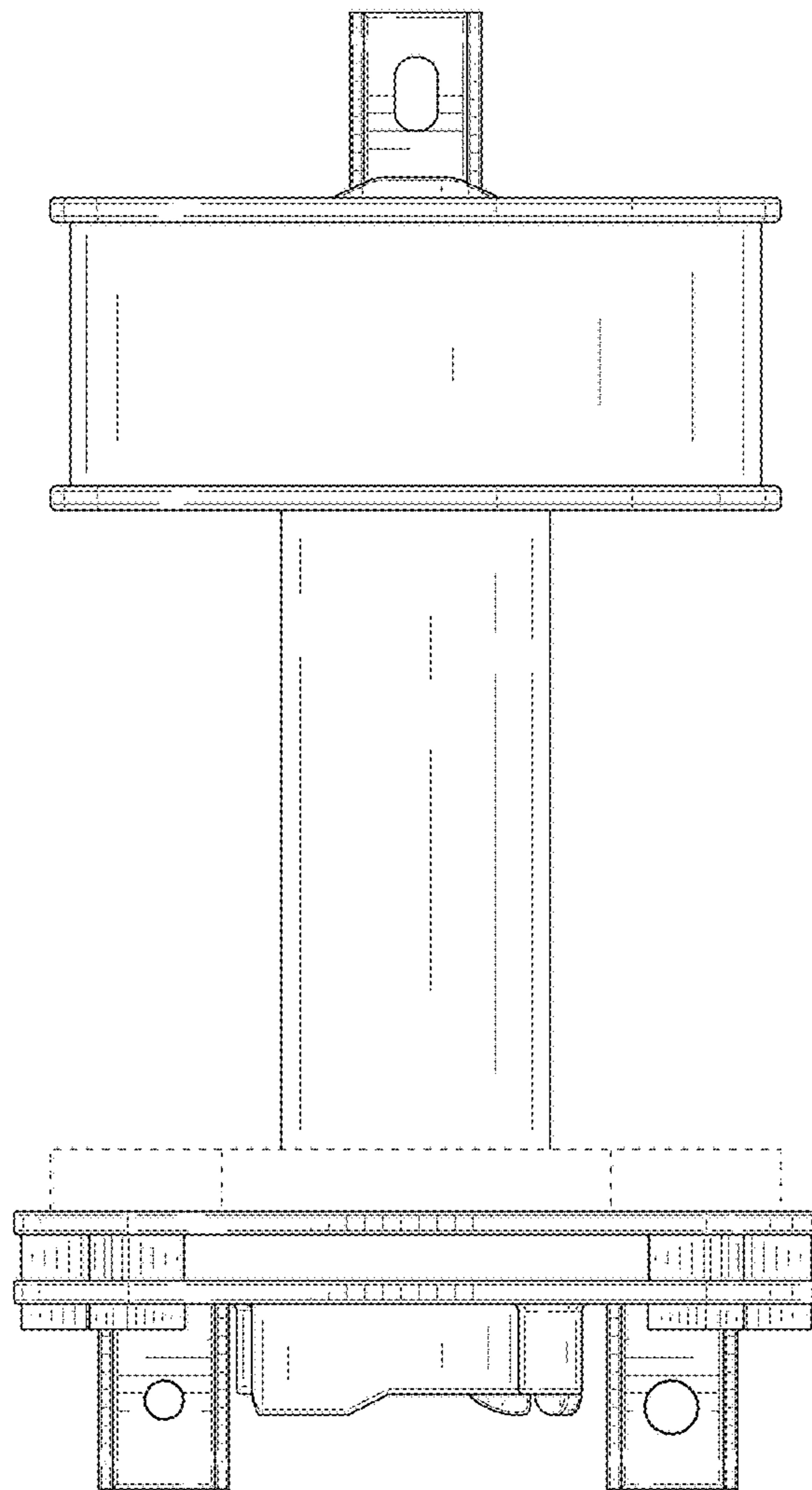


FIG. 2

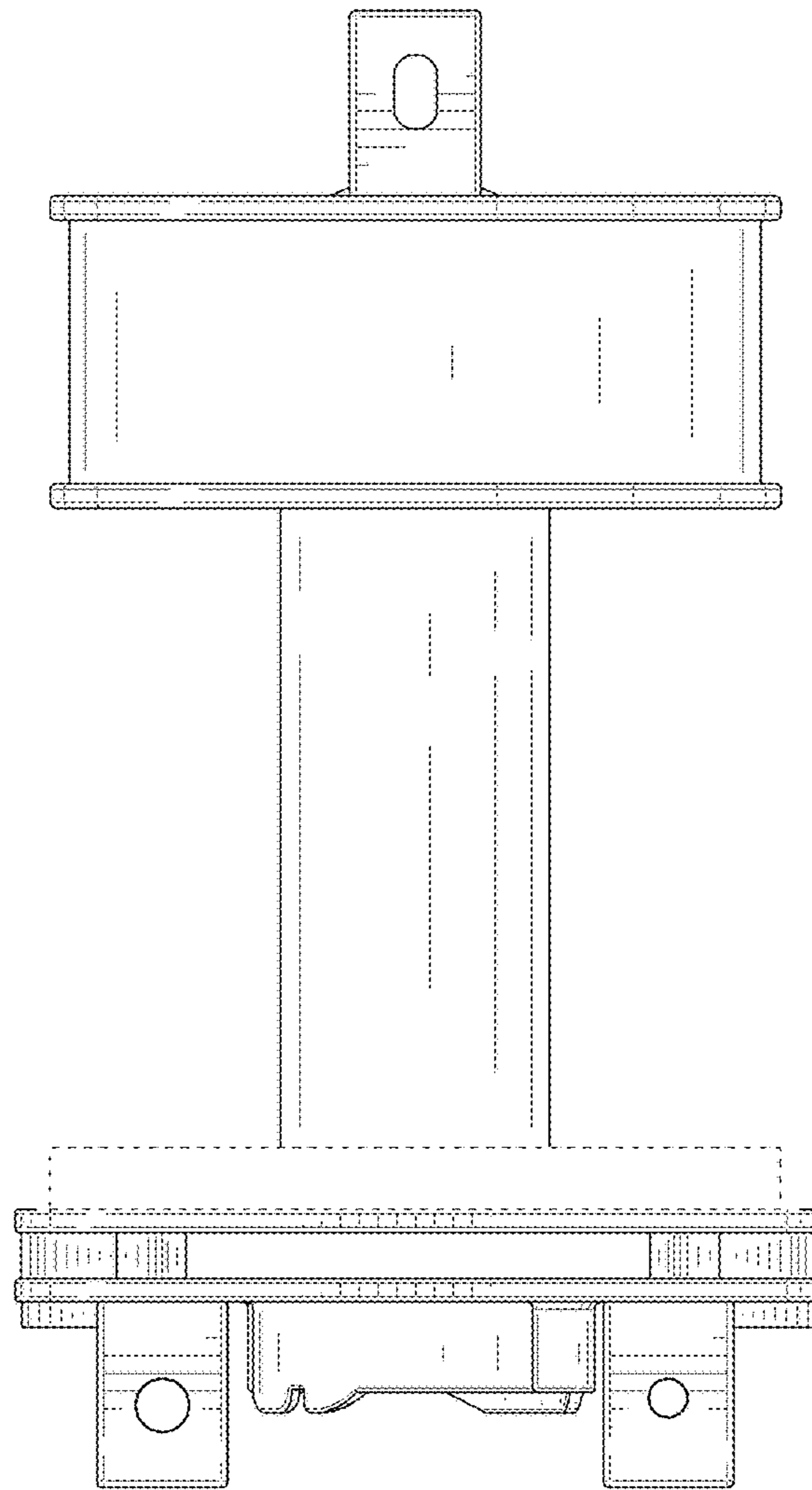


FIG. 3

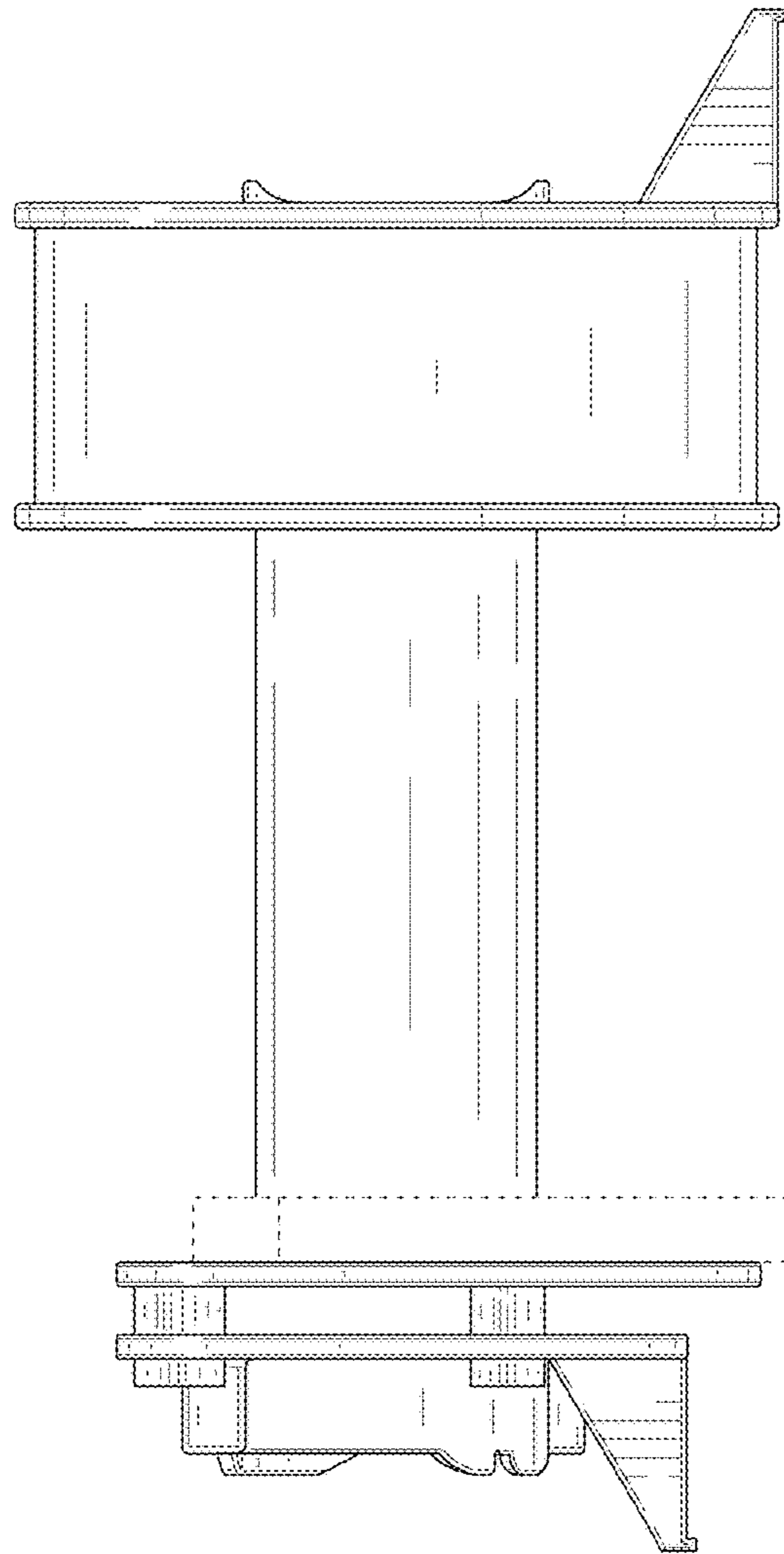


FIG. 4

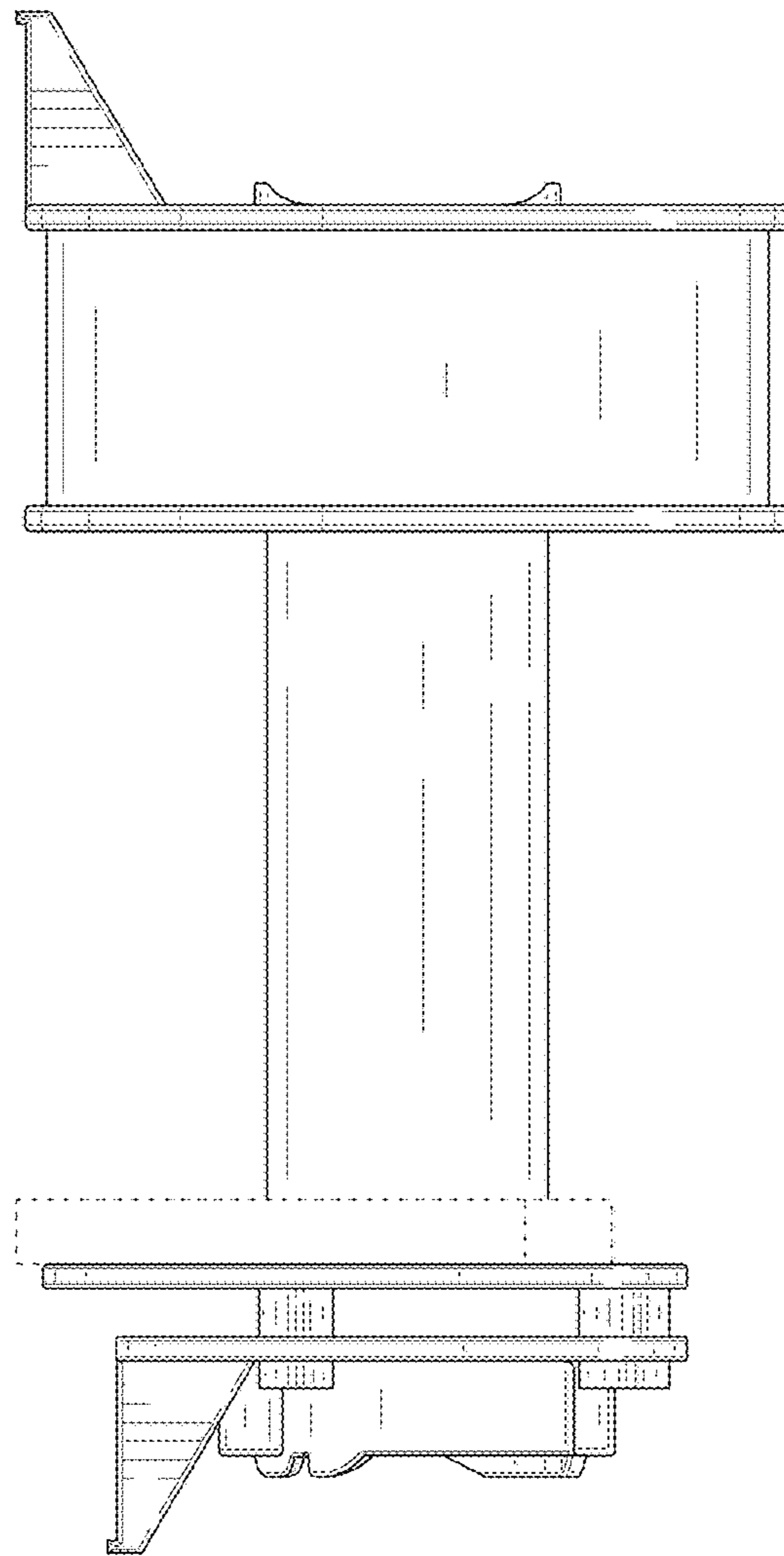


FIG. 5

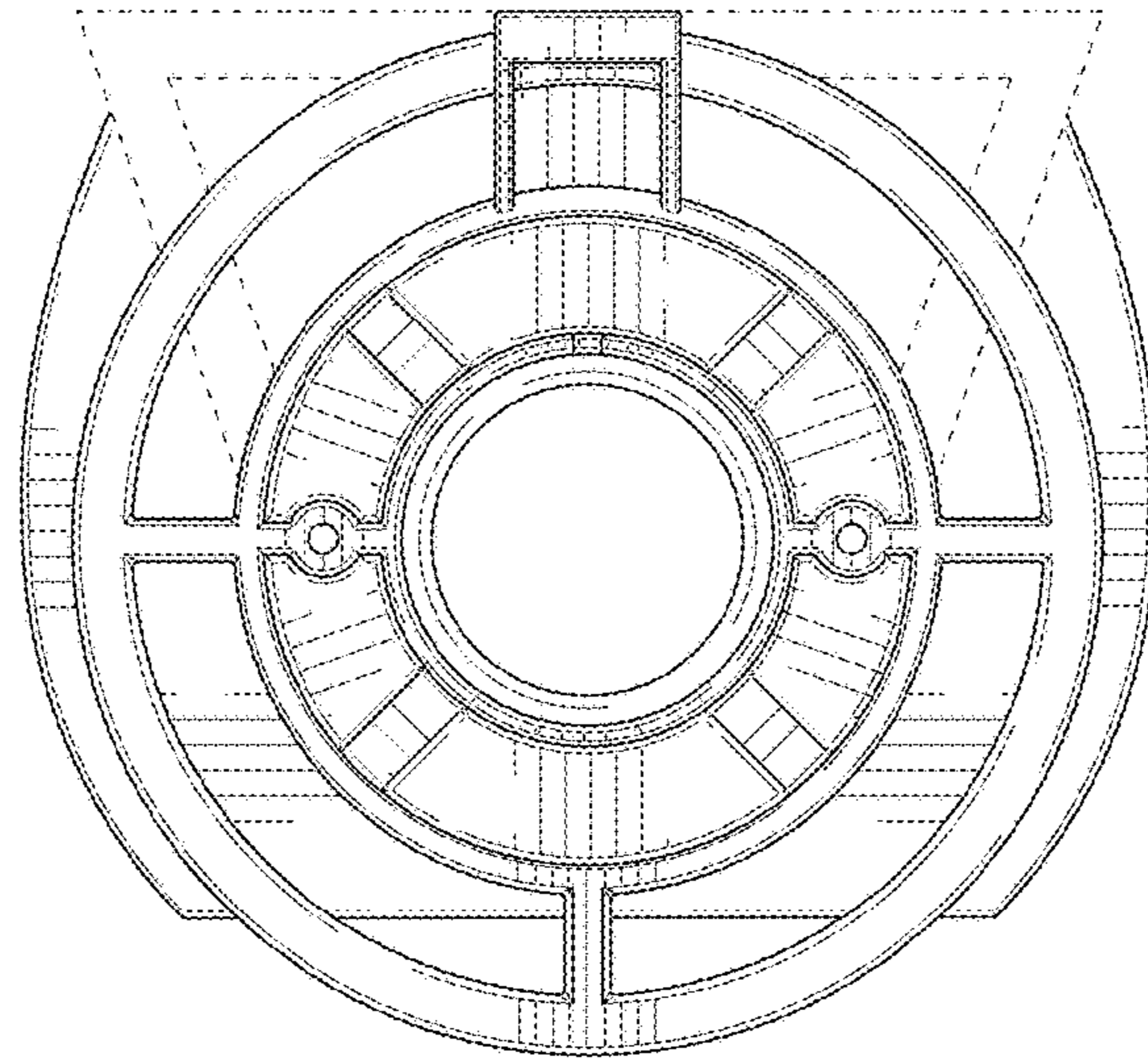


FIG. 6

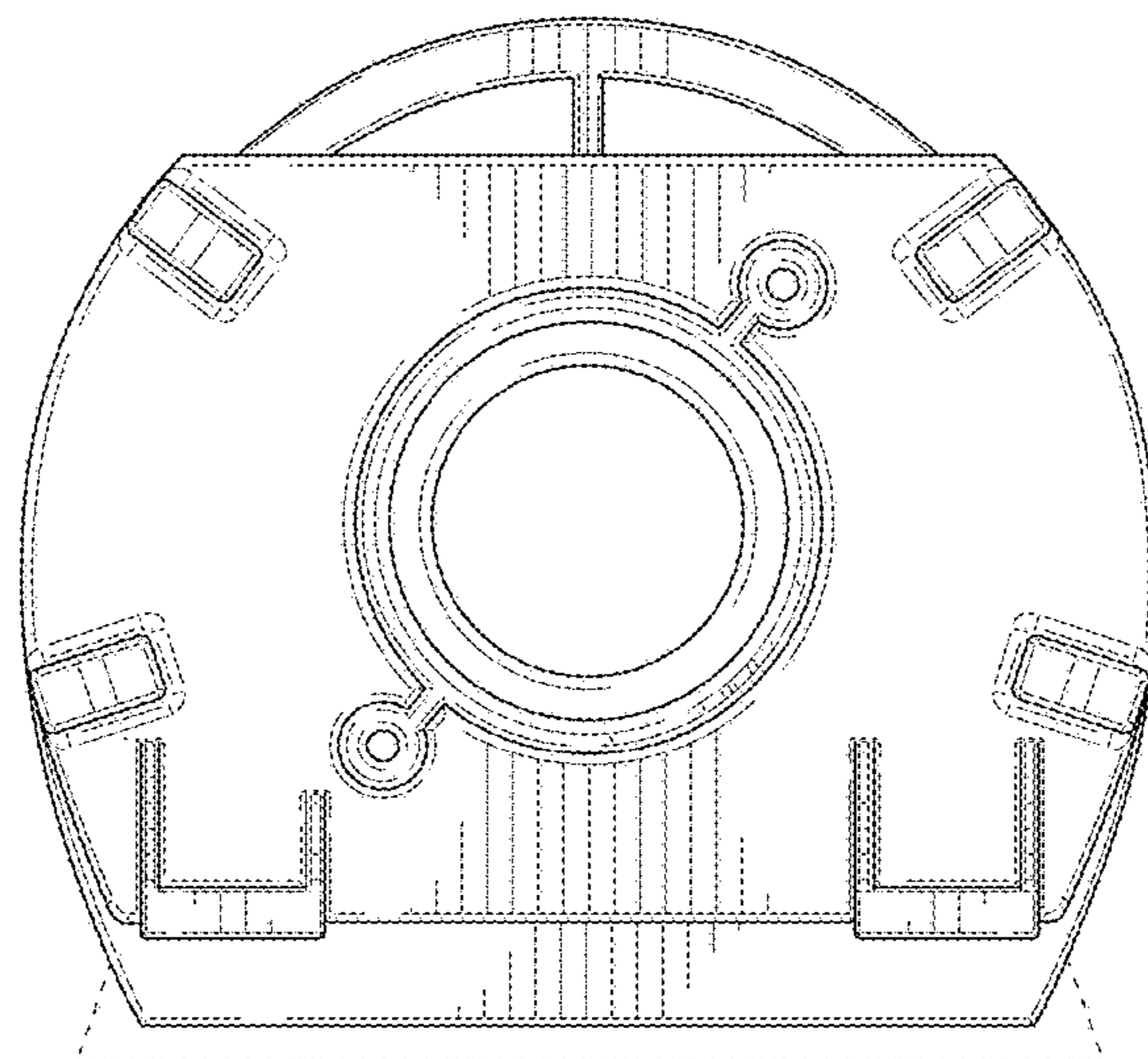


FIG. 7