

US00D864776S

(12) **United States Design Patent**
Hendey, Sr.

(10) **Patent No.:** **US D864,776 S**

(45) **Date of Patent:** **** Oct. 29, 2019**

(54) **WATER METER**

(71) Applicant: **Arthur A Hendey, Sr.**, Beaumont, CA
(US)

(72) Inventor: **Arthur A Hendey, Sr.**, Beaumont, CA
(US)

(**) Term: **15 Years**

(21) Appl. No.: **29/650,733**

(22) Filed: **Jun. 8, 2018**

(51) **LOC (12) Cl.** **10-04**

(52) **U.S. Cl.**
USPC **D10/99**

(58) **Field of Classification Search**
USPC D10/99
CPC G01F 1/662; G01F 15/06; G01F 15/061;
G01F 15/063; G01F 15/065; G01F
15/066; G01F 15/068; Y10T 137/2224;
Y10T 137/6851

See application file for complete search history.

(56) **References Cited**

U.S. PATENT DOCUMENTS

5,339,686 A * 8/1994 DeJarlais G01F 15/14
73/201
6,345,541 B1 2/2002 Hendey, Sr.

D472,835 S 4/2003 Hendey, Sr.
6,931,946 B1 8/2005 Hendey, Sr.
D559,717 S * 1/2008 Hendey D10/96
D680,457 S 4/2013 Hendey, Sr.
9,568,351 B1 * 2/2017 Gregory G01F 15/14

* cited by examiner

Primary Examiner — Antoine Duval Davis

(74) *Attorney, Agent, or Firm* — Morland C. Fischer

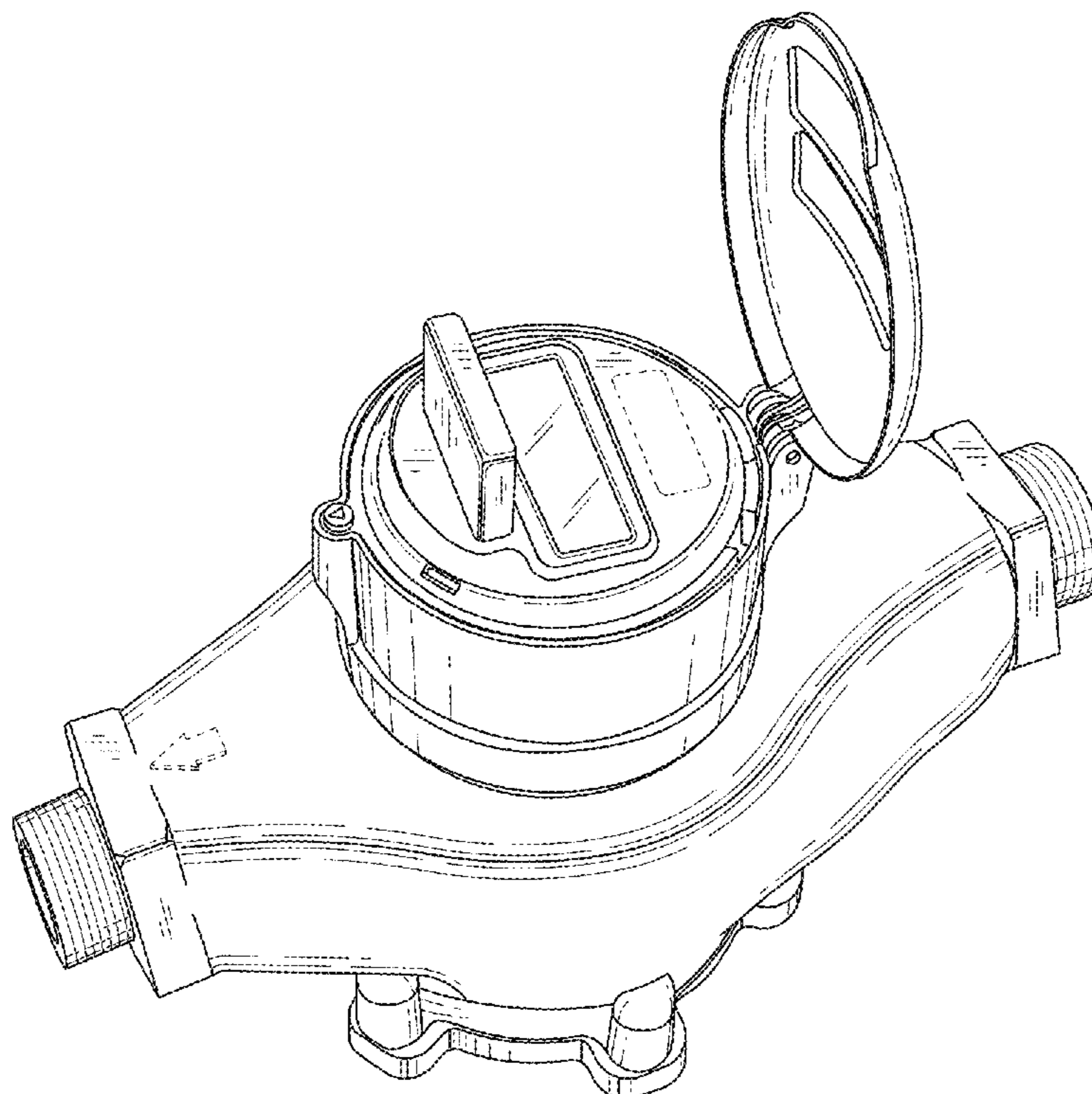
(57) **CLAIM**

The ornamental design for a water meter, as shown and described.

DESCRIPTION

FIG. 1 is a perspective view showing the front, top and left side of a water meter which forms my new design, the broken lines in this and other figures indicating unclaimed environment and forming no part of the claim;
FIG. 2 is a top plan view thereof;
FIG. 3 is a front elevational view thereof;
FIG. 4 is a left side elevational view thereof;
FIG. 5 is a right side elevational view thereof;
FIG. 6 is a rear elevational view thereof; and,
FIG. 7 is a bottom plan view there.

1 Claim, 4 Drawing Sheets



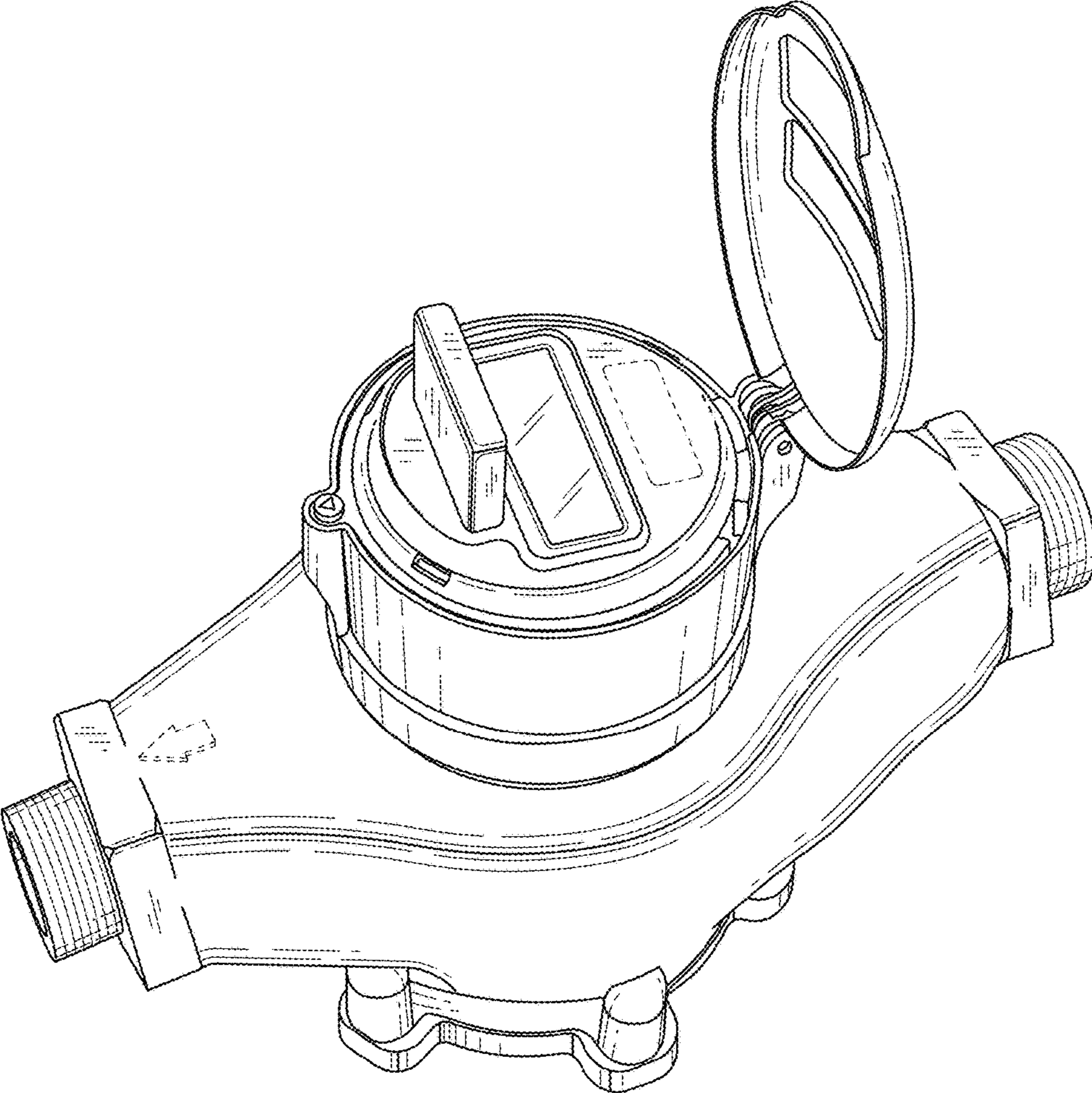


FIG. 1

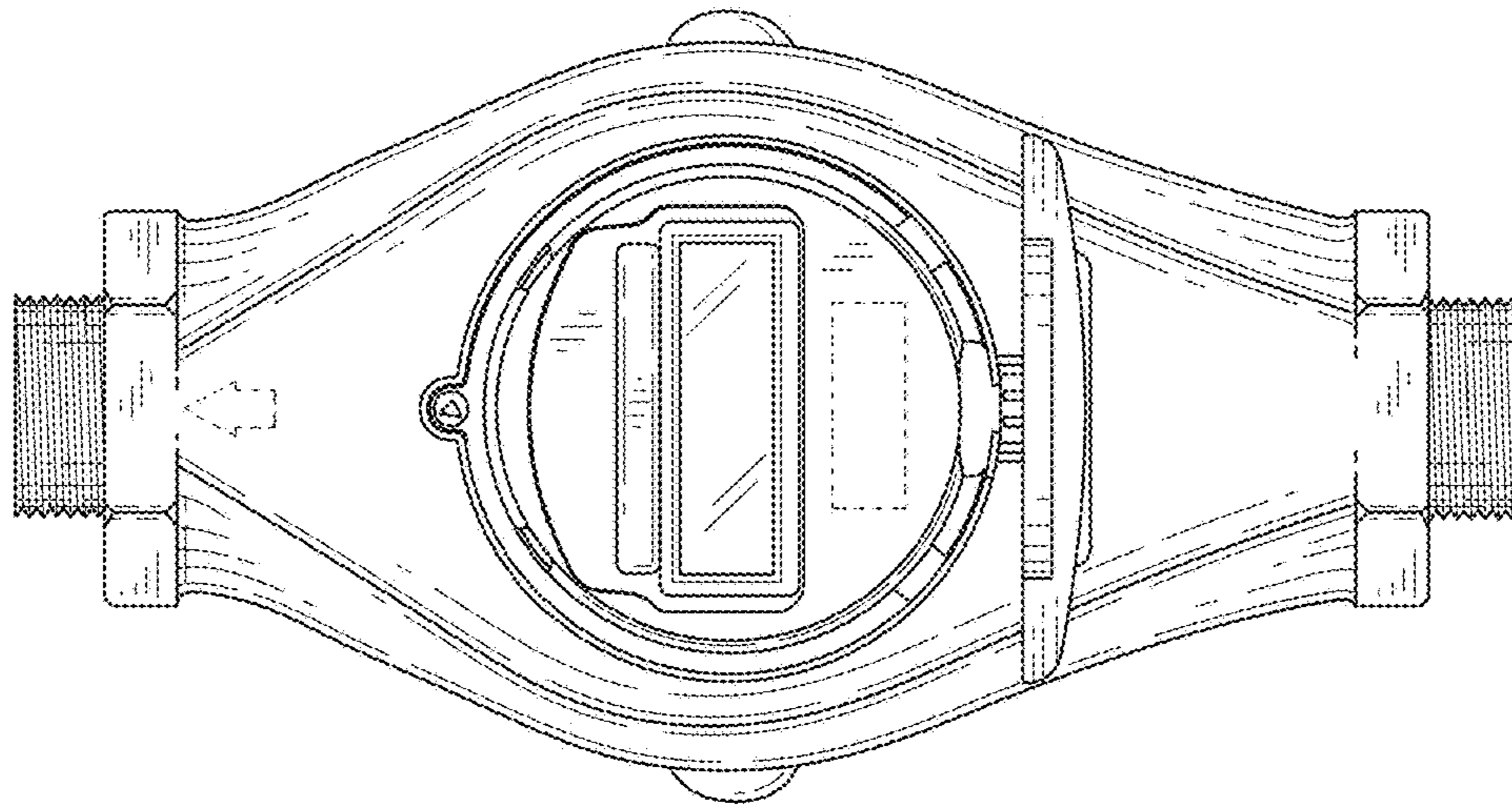


FIG. 2

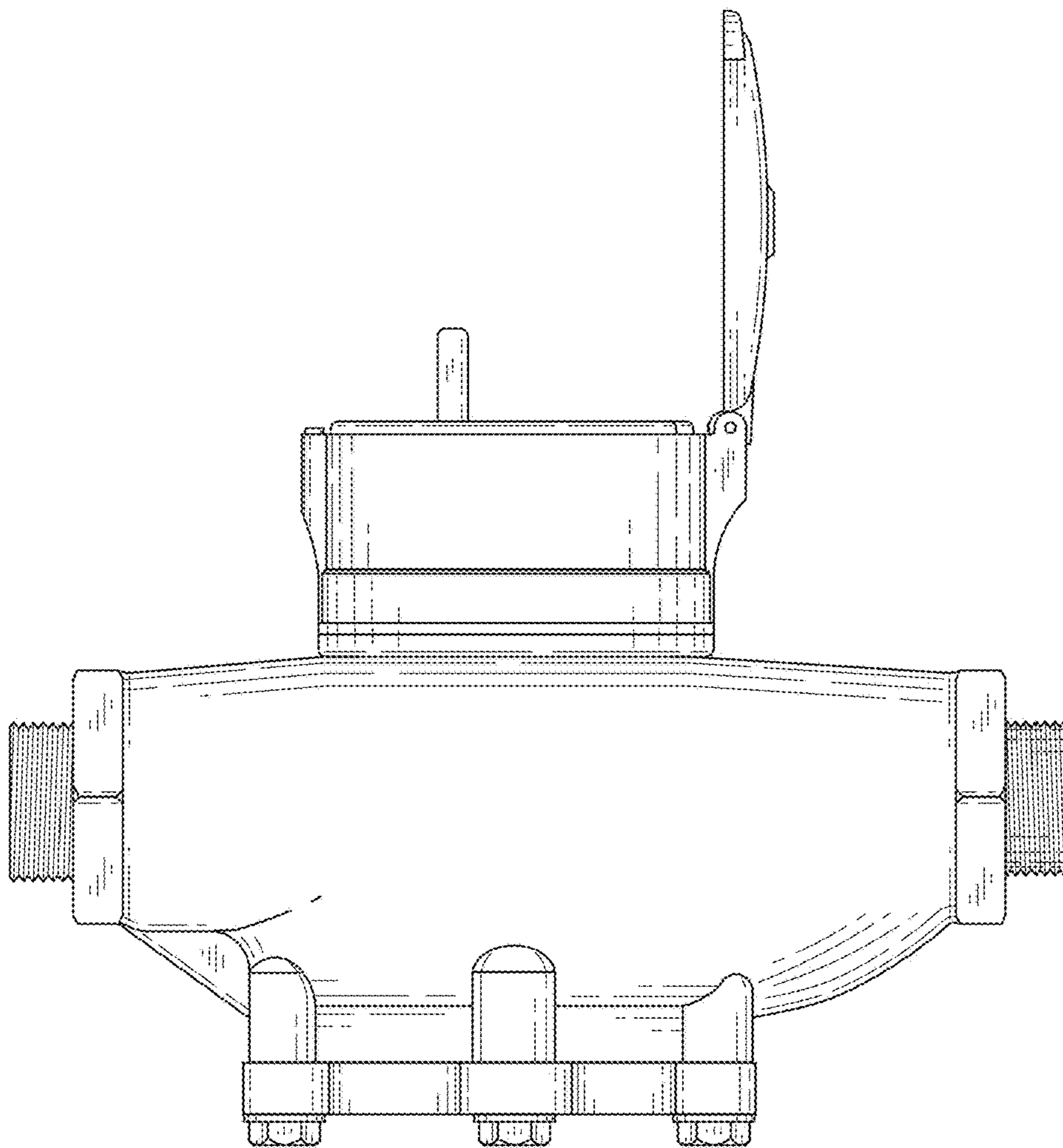


FIG. 3

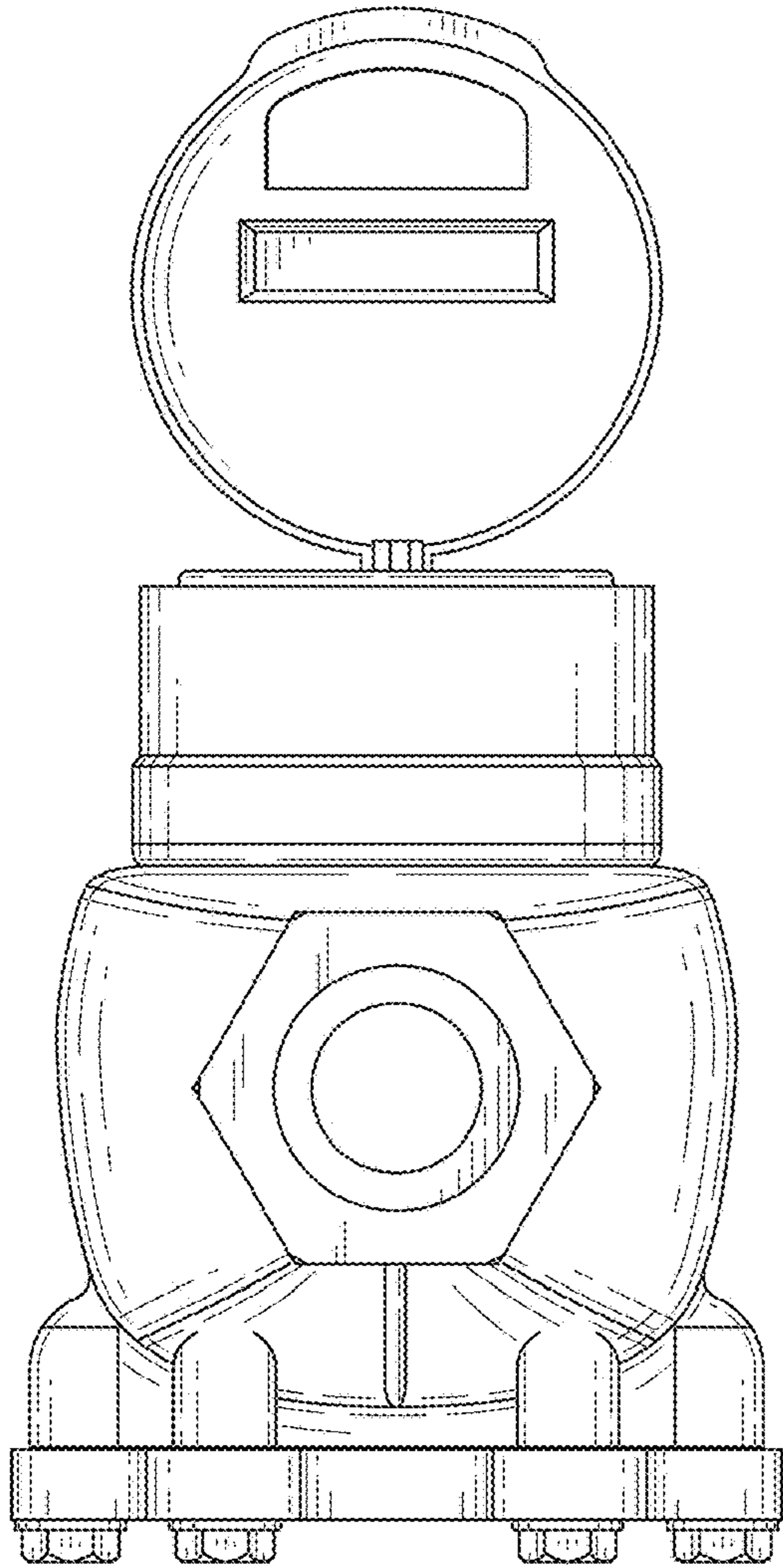


FIG. 4

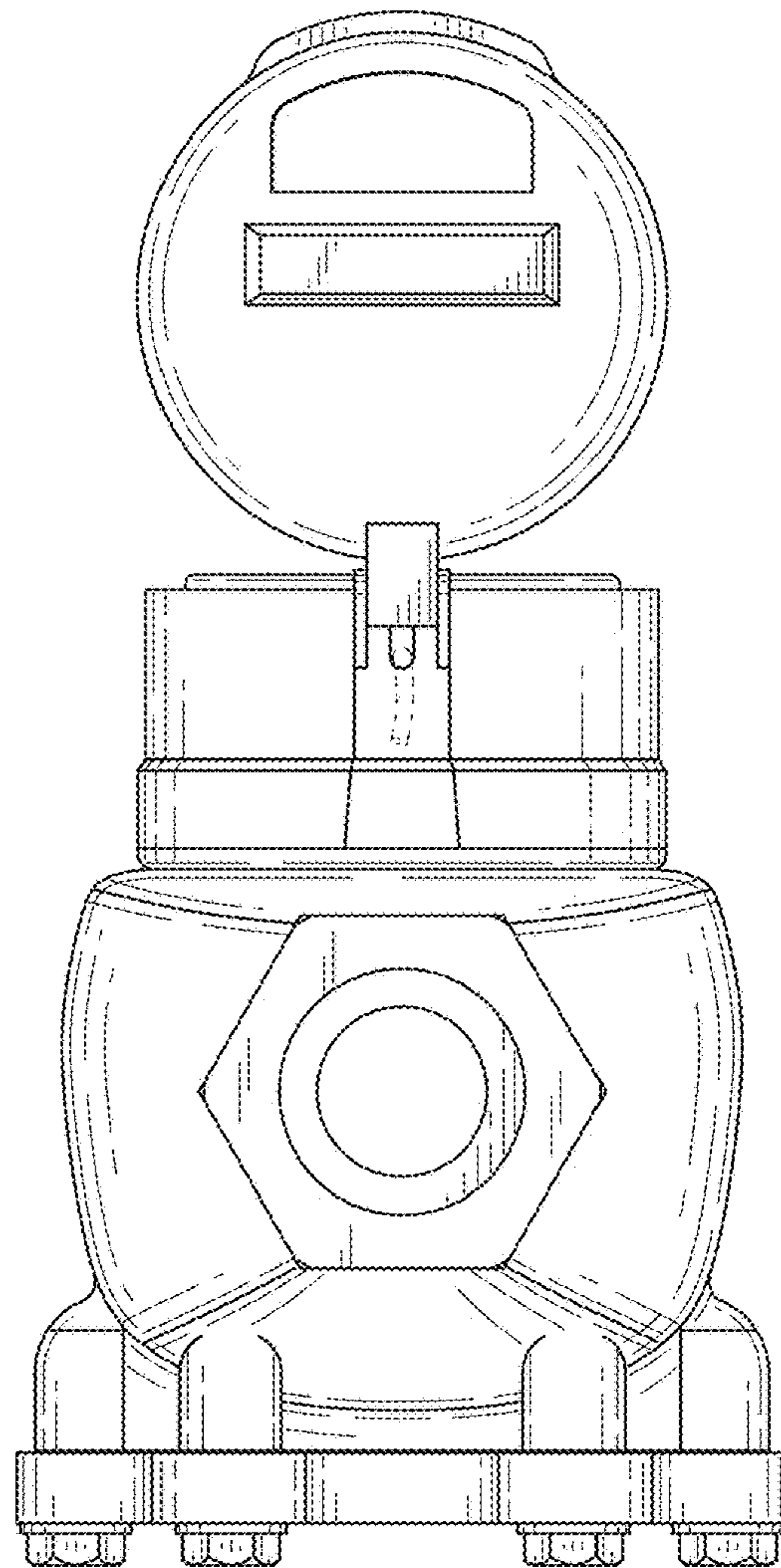


FIG. 5

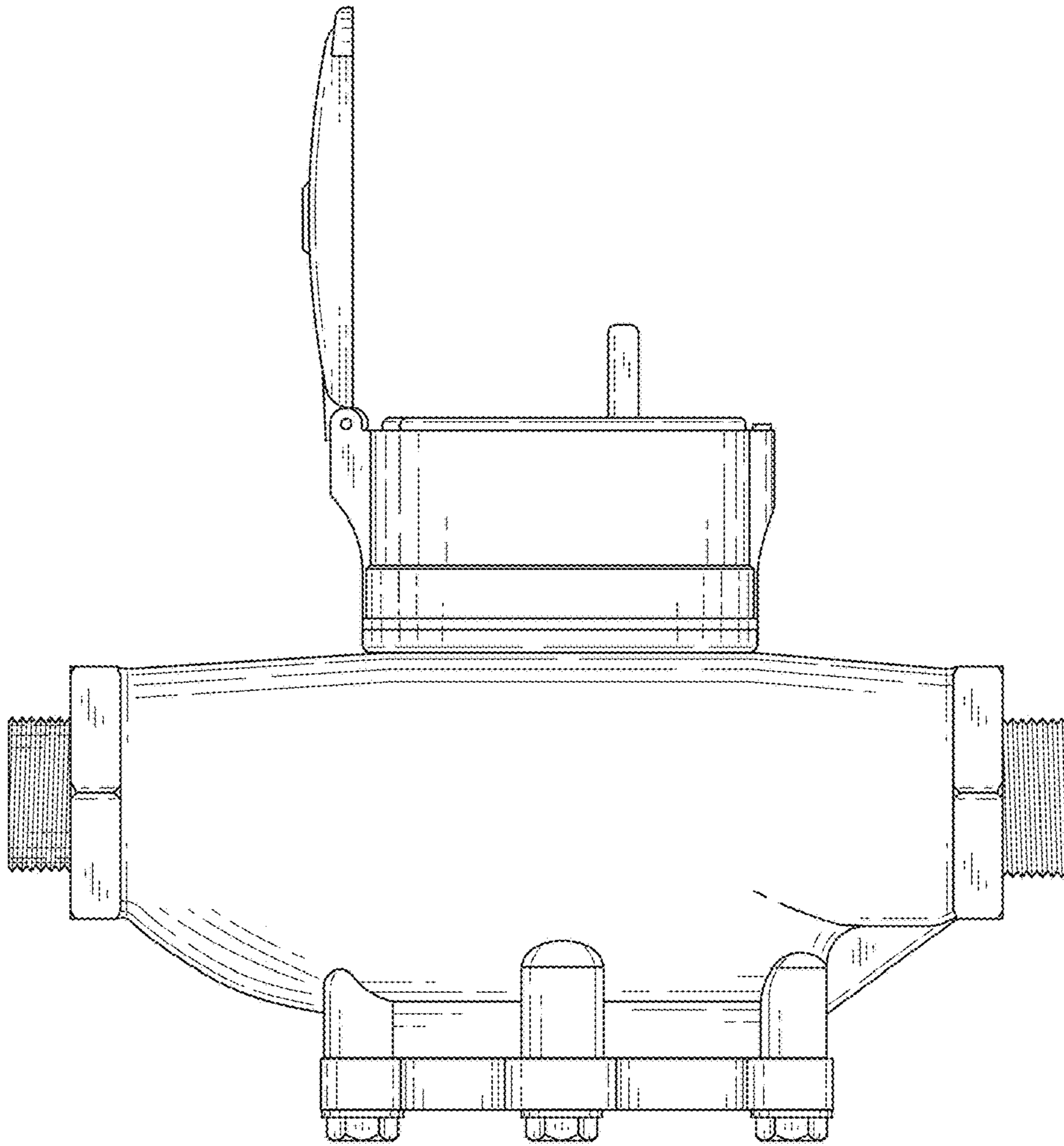


FIG. 6

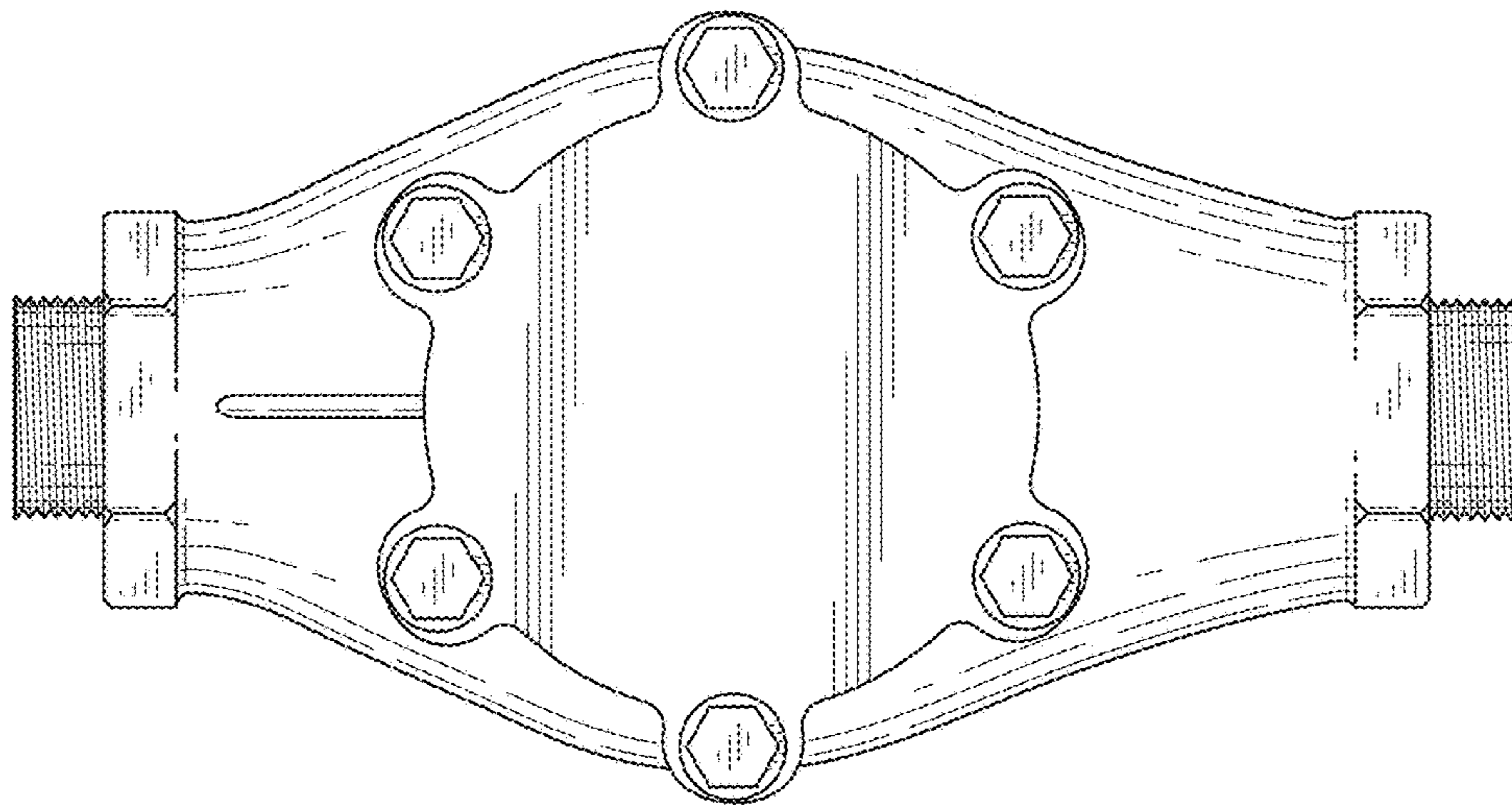


FIG. 7