



US00D864774S

(12) **United States Design Patent**
Lei et al.

(10) **Patent No.:** **US D864,774 S**
(45) **Date of Patent:** **** Oct. 29, 2019**

(54) **LIQUID SAMPLE COLLECTOR AND TEST DEVICE**

(71) Applicants: **Healgen Scientific Limited**, Houston, TX (US); **Zhejiang Orient Gene Biotech Co., LTD**, Zhejiang (CN)

(72) Inventors: **Siyu Lei**, Zhejiang (CN); **Jianqiu Fang**, Houston, TX (US)

(73) Assignees: **Healgen Scientific Limited**, Houston, TX (US); **Zhejiang Orient Gene Biotech Co., LTD**, Hangzhou (CN)

(**) Term: **15 Years**

(21) Appl. No.: **29/658,330**

(22) Filed: **Jul. 30, 2018**

(51) **LOC (12) Cl.** **10-04**

(52) **U.S. Cl.**
USPC **D10/81**; D24/186; D24/216

(58) **Field of Classification Search**
USPC D10/78, 81; D24/121, 186, 216, 224
CPC B01L 3/502; B01L 3/5029; B01L 3/50825;
B01L 2300/0663; B01L 2300/0864; Y10T
436/2575

See application file for complete search history.

(56) **References Cited**

U.S. PATENT DOCUMENTS

D687,304 S *	8/2013	Tanner	D24/121
10,054,512 B2 *	8/2018	Harris	G01M 3/042
D830,863 S *	10/2018	Dunford	D10/75
2009/0155124 A1 *	6/2009	Wan	B01L 3/502 422/68.1

* cited by examiner

Primary Examiner — Antoine Duval Davis

(74) *Attorney, Agent, or Firm* — Lathrop Gage LLP

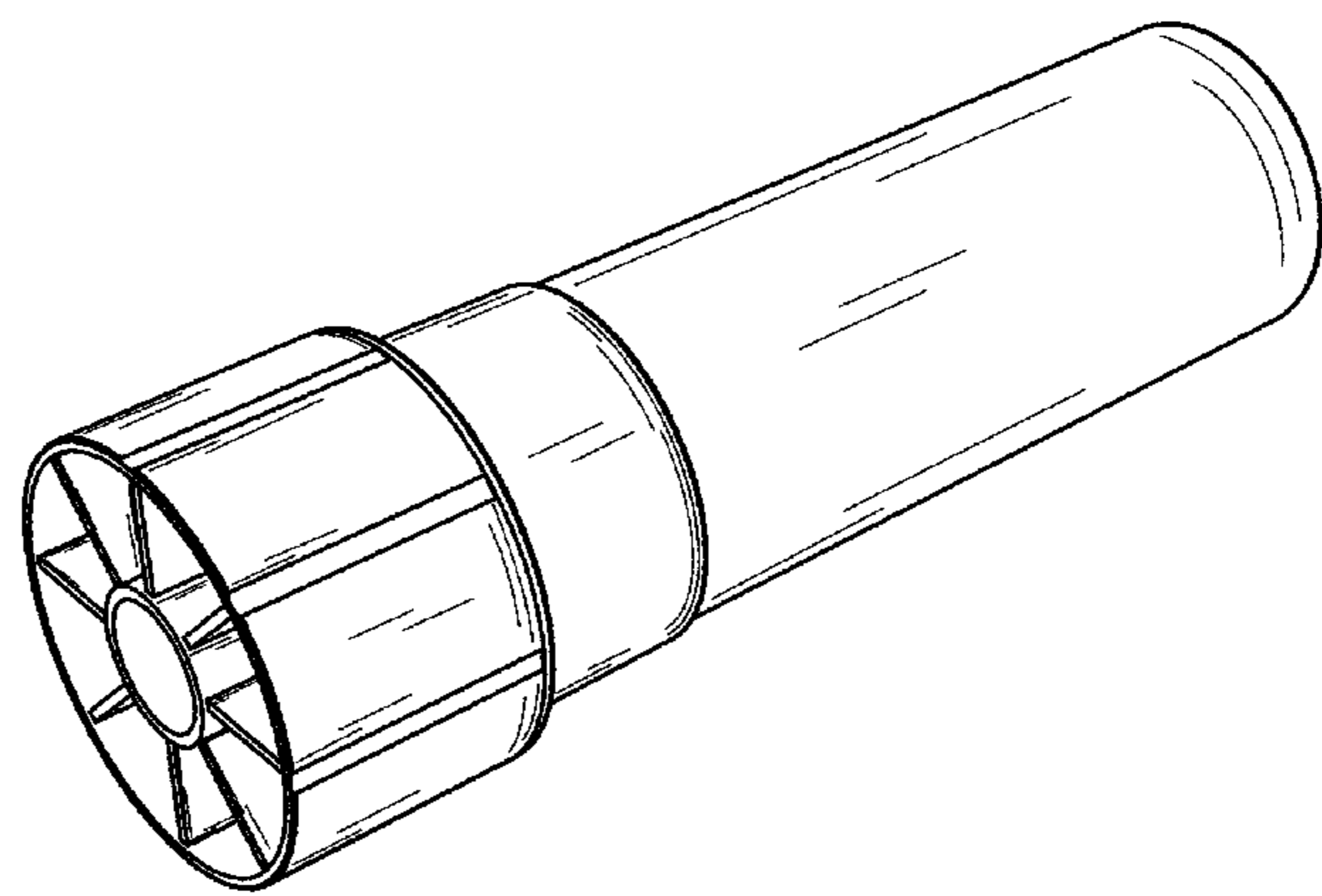
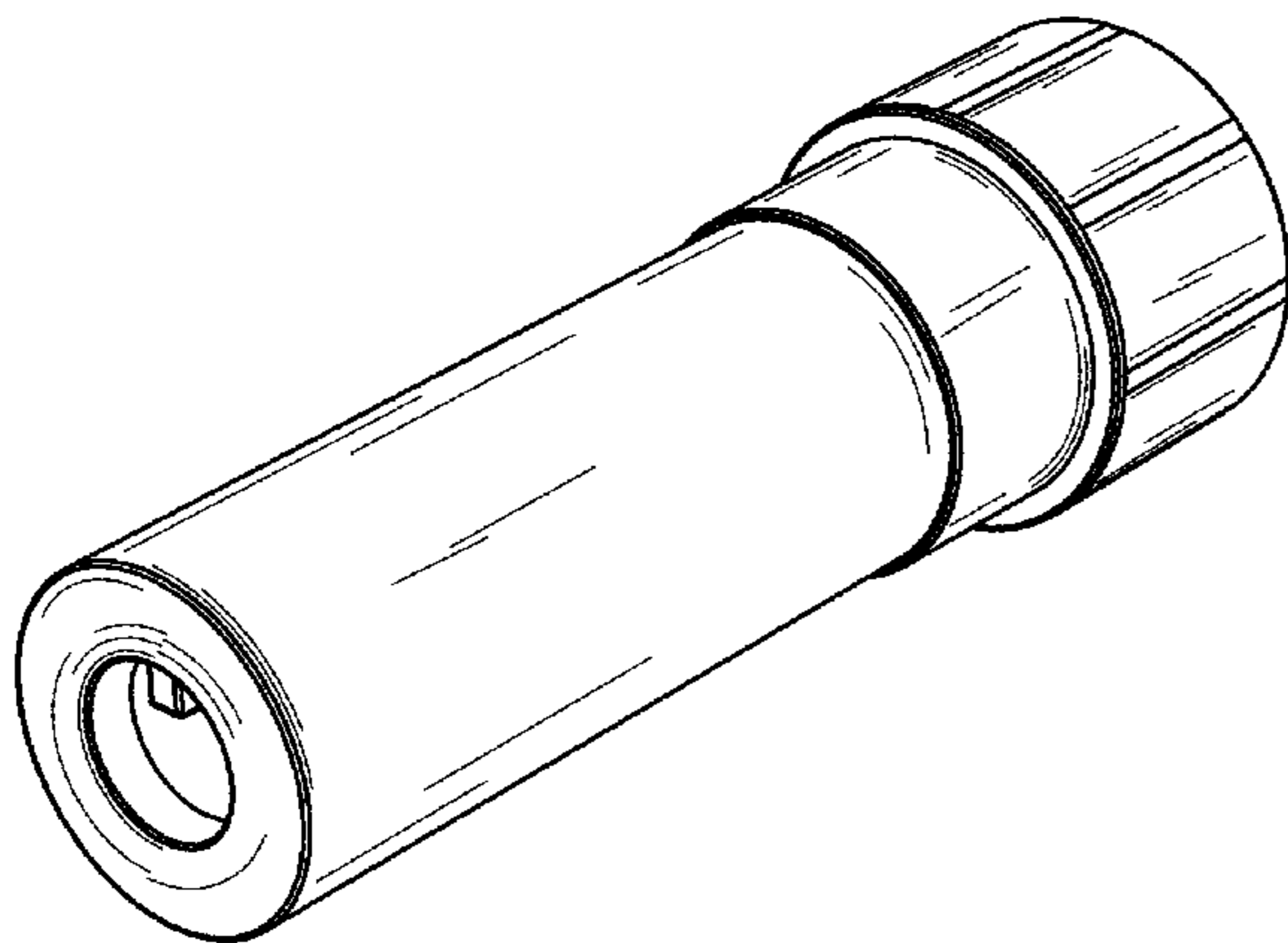
(57) **CLAIM**

The ornamental design for a liquid sample collector and test device, as shown and described.

DESCRIPTION

FIG. 1 is a top, front, left perspective view of a liquid sample collector and test device showing our new design;
FIG. 2 is a bottom, rear, right view thereof
FIG. 3 is a front elevation view thereof;
FIG. 4 is a rear elevation view thereof;
FIG. 5 is a right elevation view thereof;
FIG. 6 is a left elevation view thereof;
FIG. 7 is a top plan view thereof; and,
FIG. 8 is a bottom plan view thereof.

1 Claim, 8 Drawing Sheets



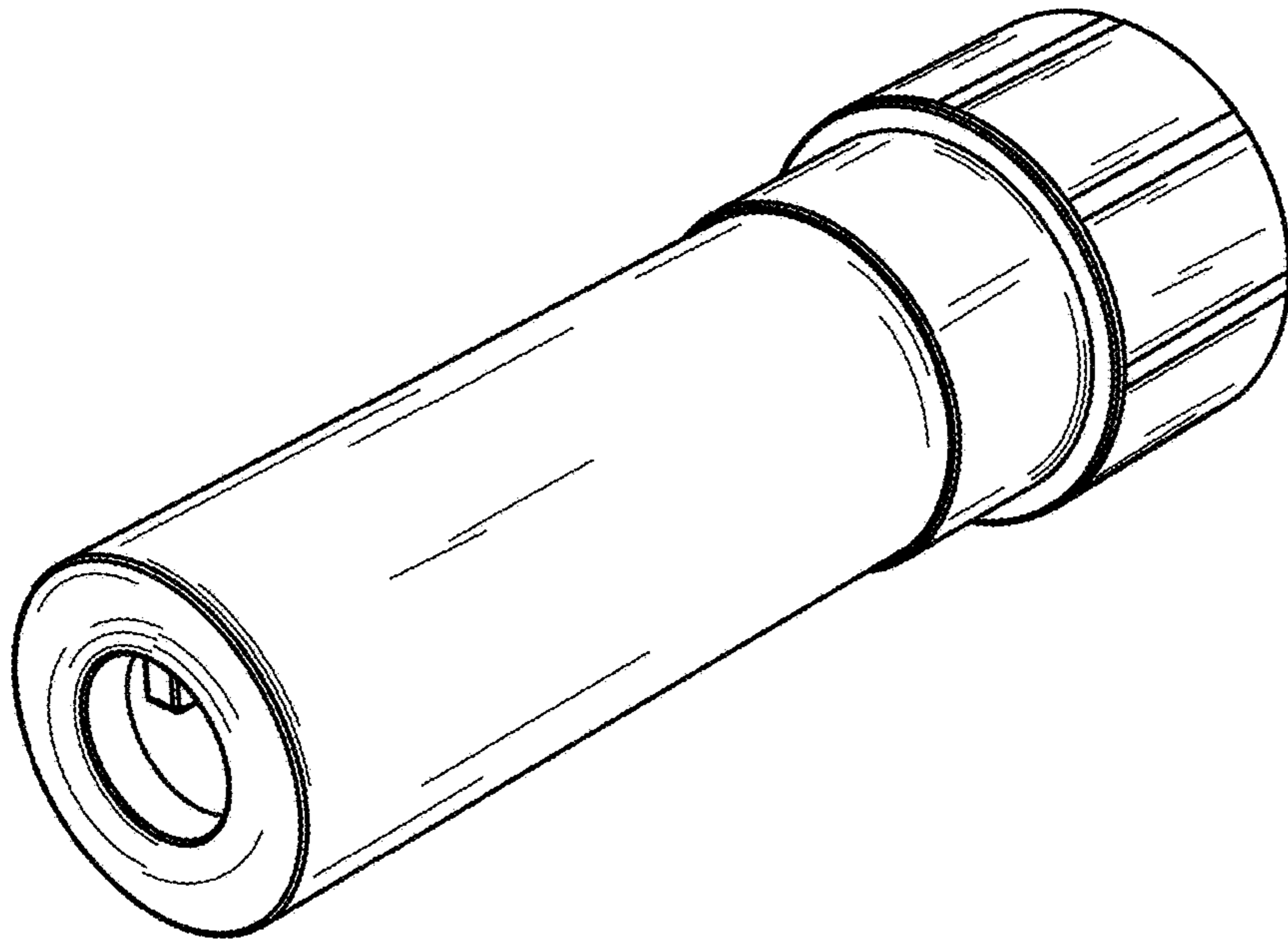


Fig. 1

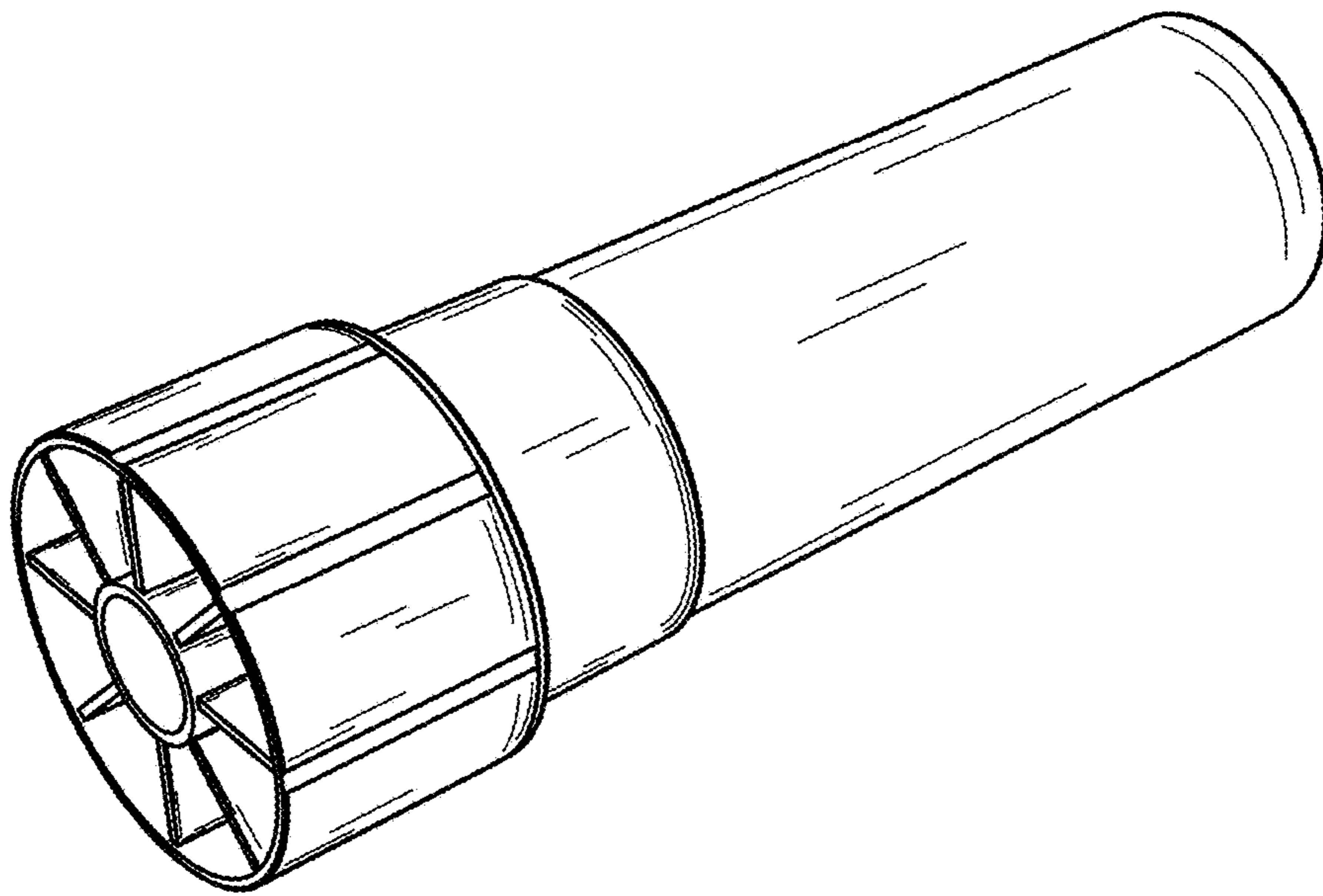


Fig. 2

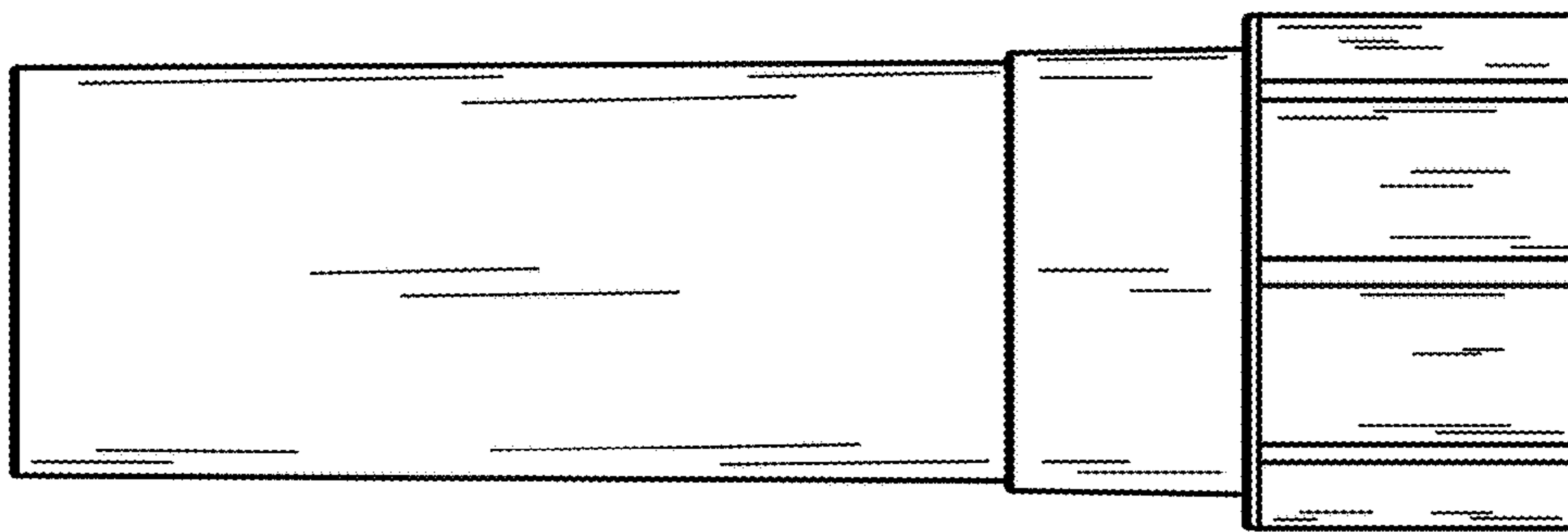


Fig. 3

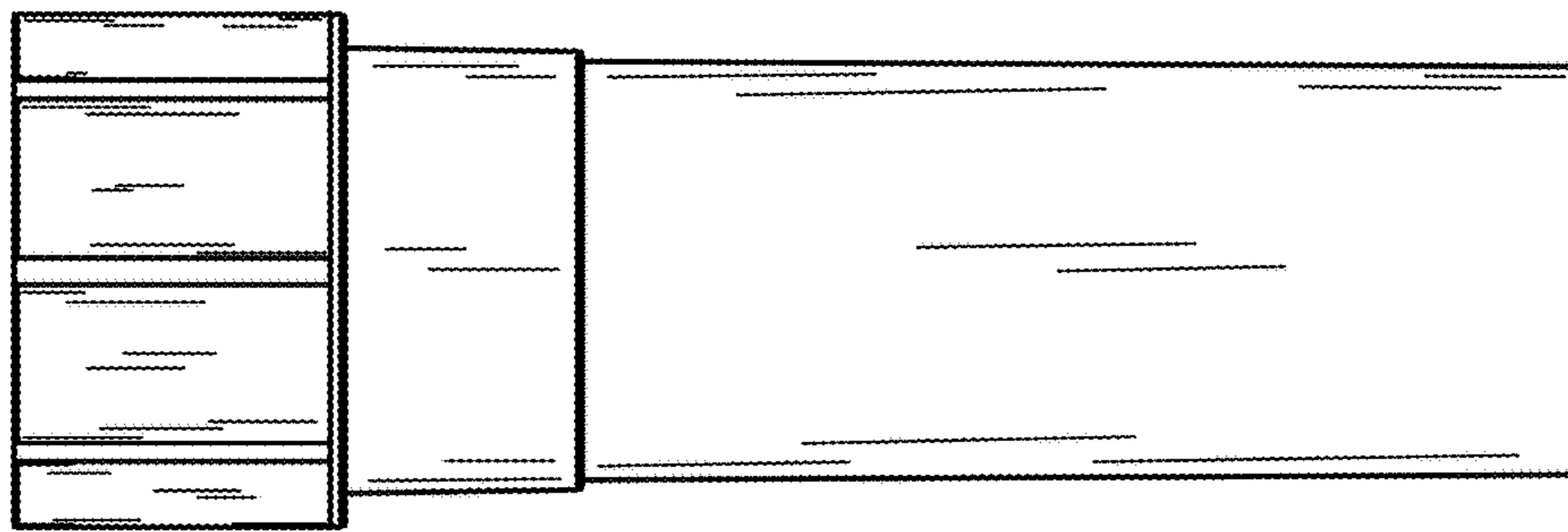


Fig. 4

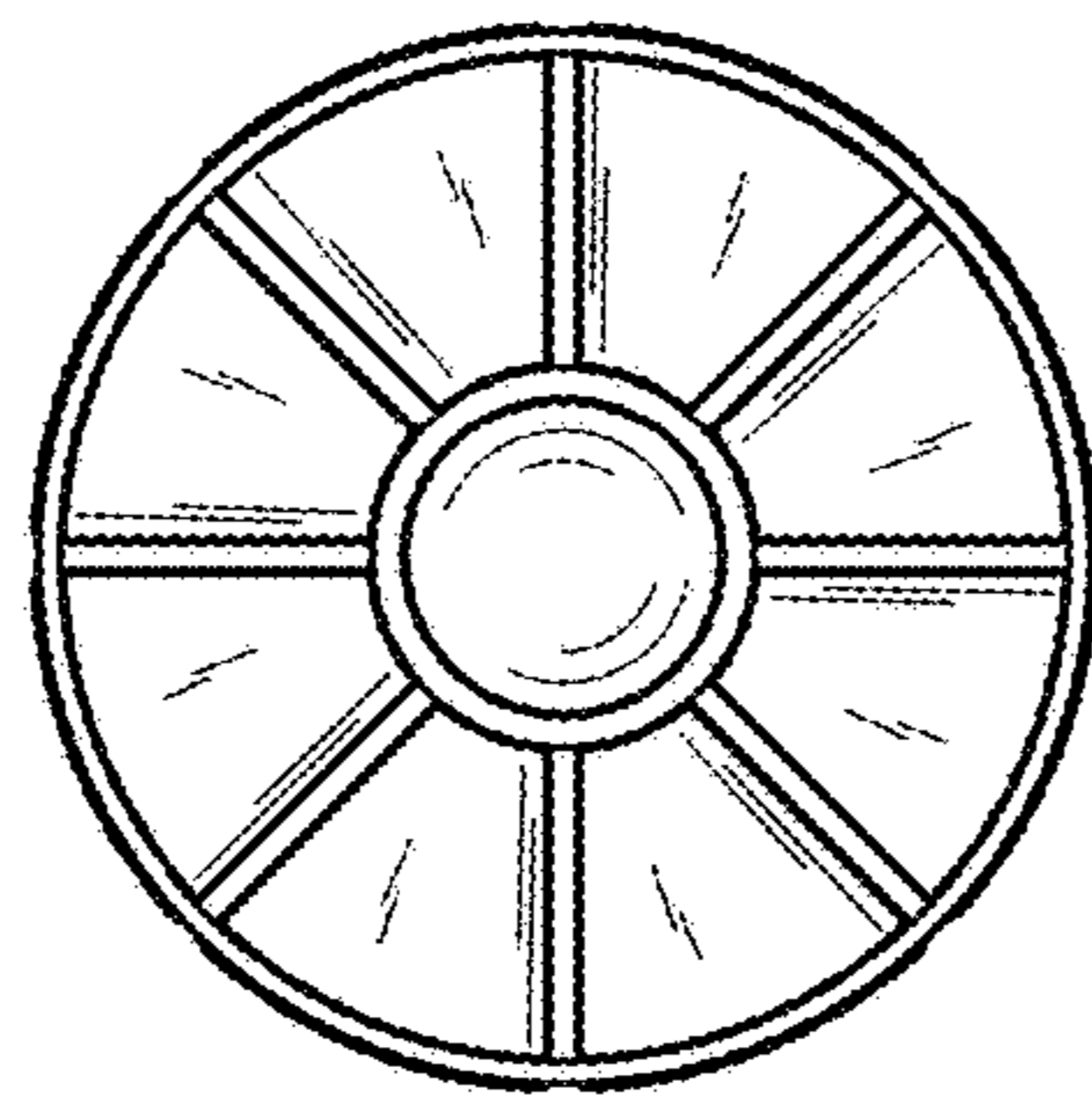


Fig. 5

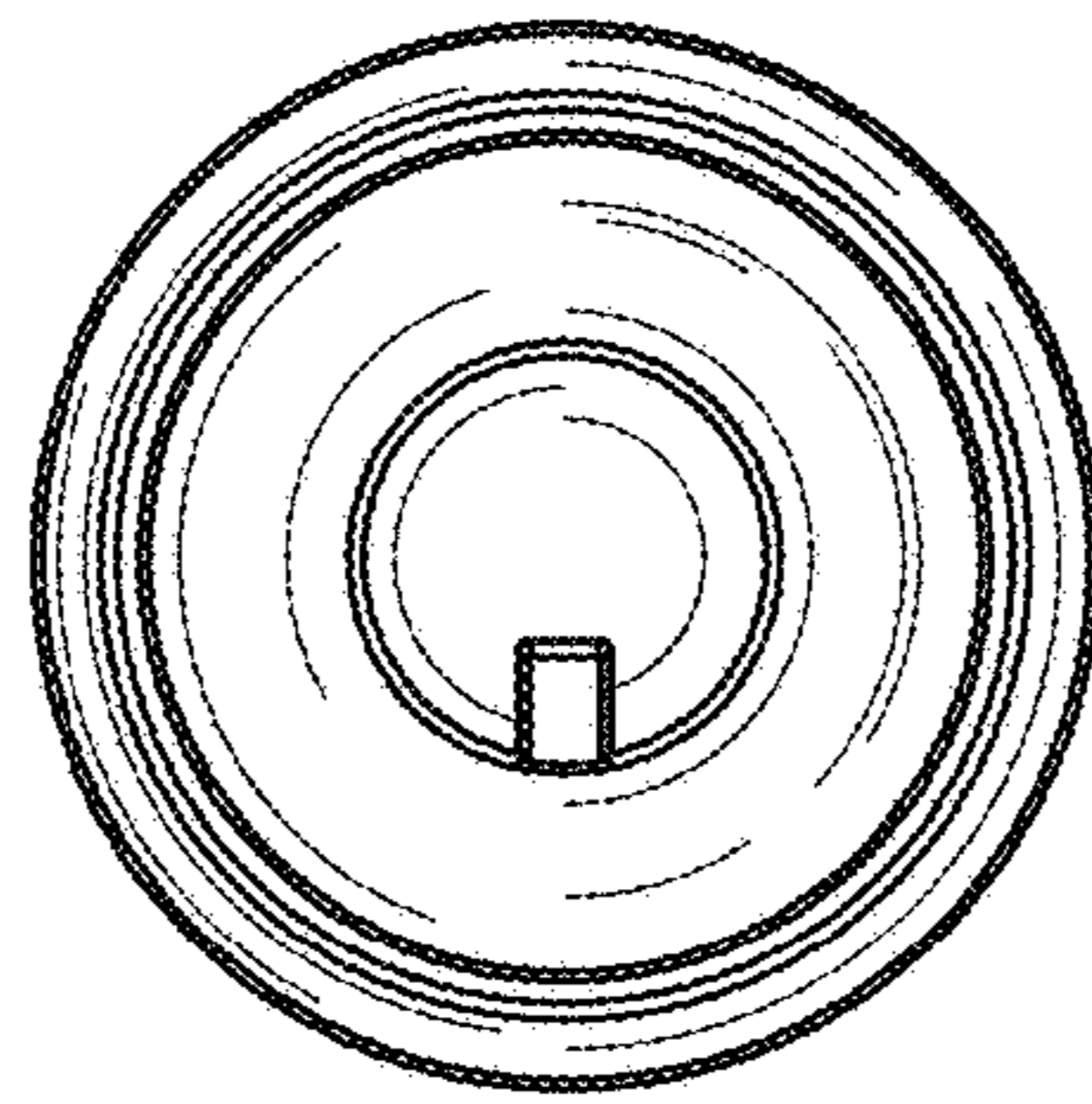


Fig. 6

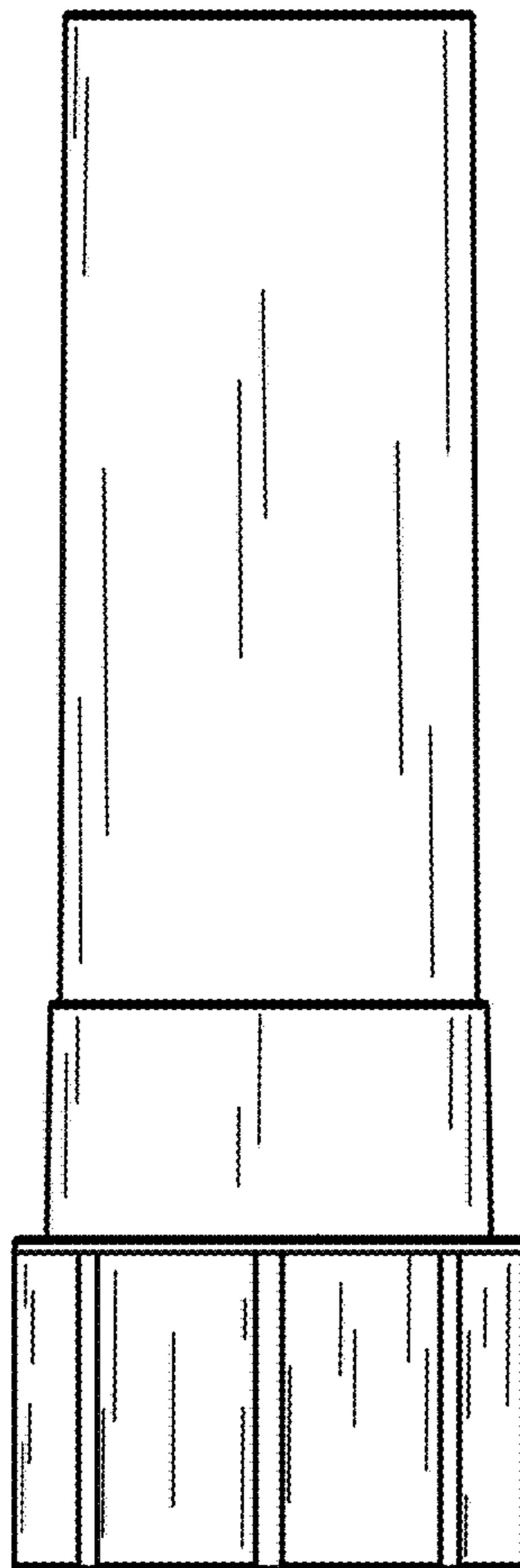


Fig. 7

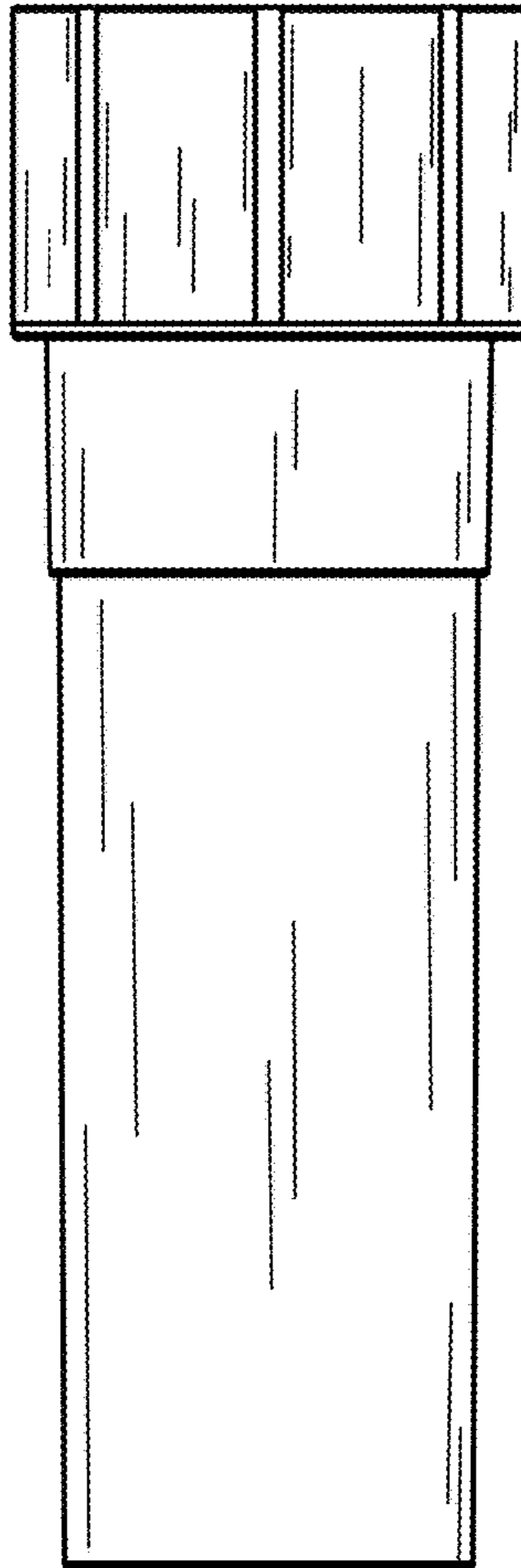


Fig. 8