



US00D864773S

(12) **United States Design Patent**  
**Zhang**

(10) **Patent No.:** **US D864,773 S**

(45) **Date of Patent:** **\*\* Oct. 29, 2019**

(54) **AIR QUALITY MONITOR**

(71) Applicant: **VSON TECHNOLOGY CO., LTD,**  
Shenzhen (CN)

(72) Inventor: **Yinhu Zhang,** Shenzhen (CN)

(73) Assignee: **VSON TECHNOLOGY CO., LTD.,**  
Shenzhen (CN)

(\*\*) Term: **15 Years**

(21) Appl. No.: **29/654,547**

(22) Filed: **Jun. 26, 2018**

(51) **LOC (12) Cl.** ..... **10-04**

(52) **U.S. Cl.**  
USPC ..... **D10/81; D10/52**

(58) **Field of Classification Search**  
USPC ..... D10/52, 53, 55, 56, 81  
CPC ..... G01N 1/2273; G01N 2001/2276; G01N  
2001/2279; G01N 7/00; G01N 7/02;  
G01N 7/04; G01N 7/06; G01N 7/08;  
G01N 7/10; G01N 7/12; G01N 7/14;  
G01N 7/16; G01N 7/18; G01N 7/20;  
G01N 7/22; G01N 1/22-1/2294; G01N  
2001/2217-2001/2297; G01N 25/56;  
G01N 27/122; G01N 33/004-33/0075;  
H04B 17/23

See application file for complete search history.

(56) **References Cited**

U.S. PATENT DOCUMENTS

D412,452 S \* 8/1999 Chan ..... D10/52  
D741,204 S \* 10/2015 Chen ..... D10/52

\* cited by examiner

*Primary Examiner* — Antoine Duval Davis

(57) **CLAIM**

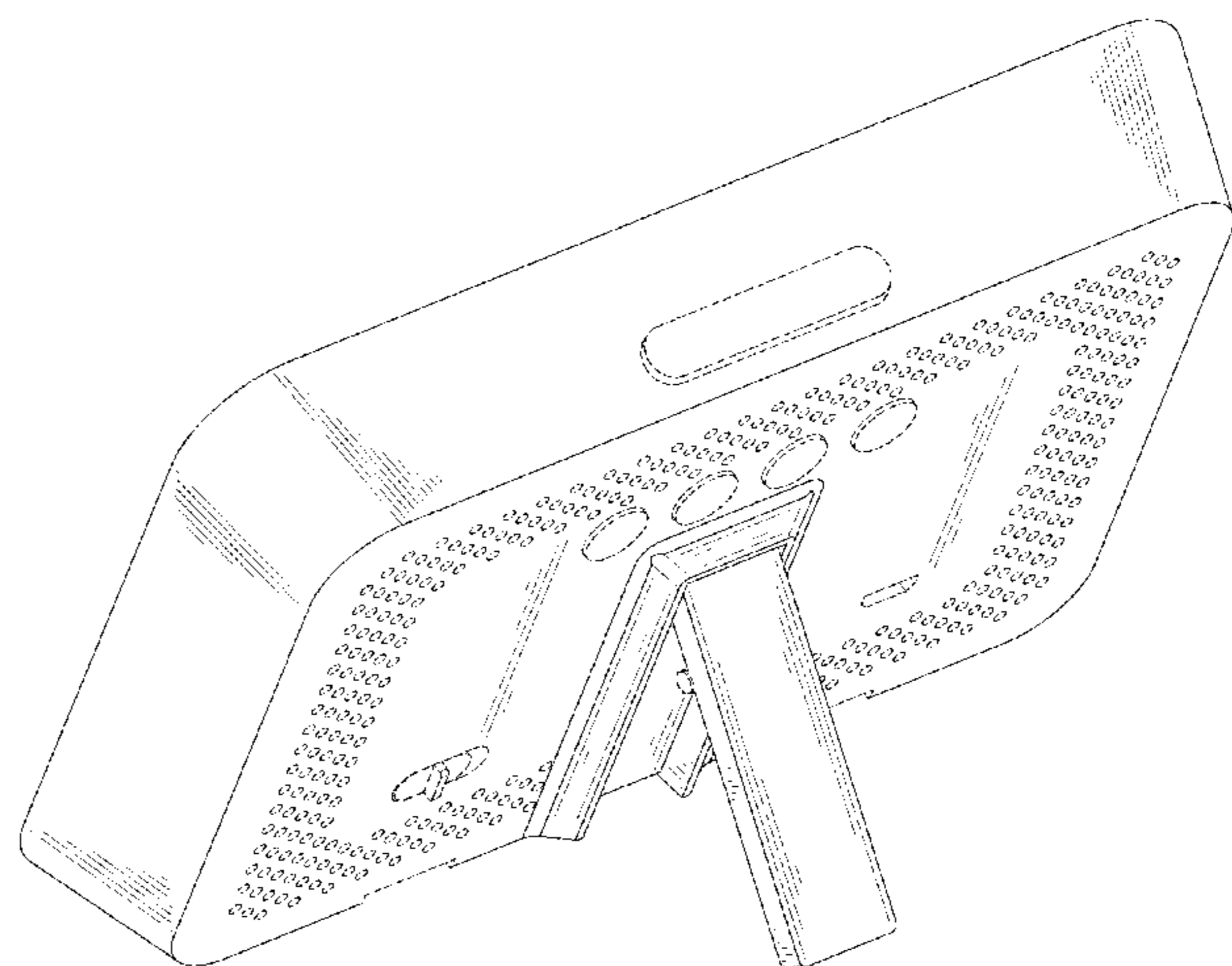
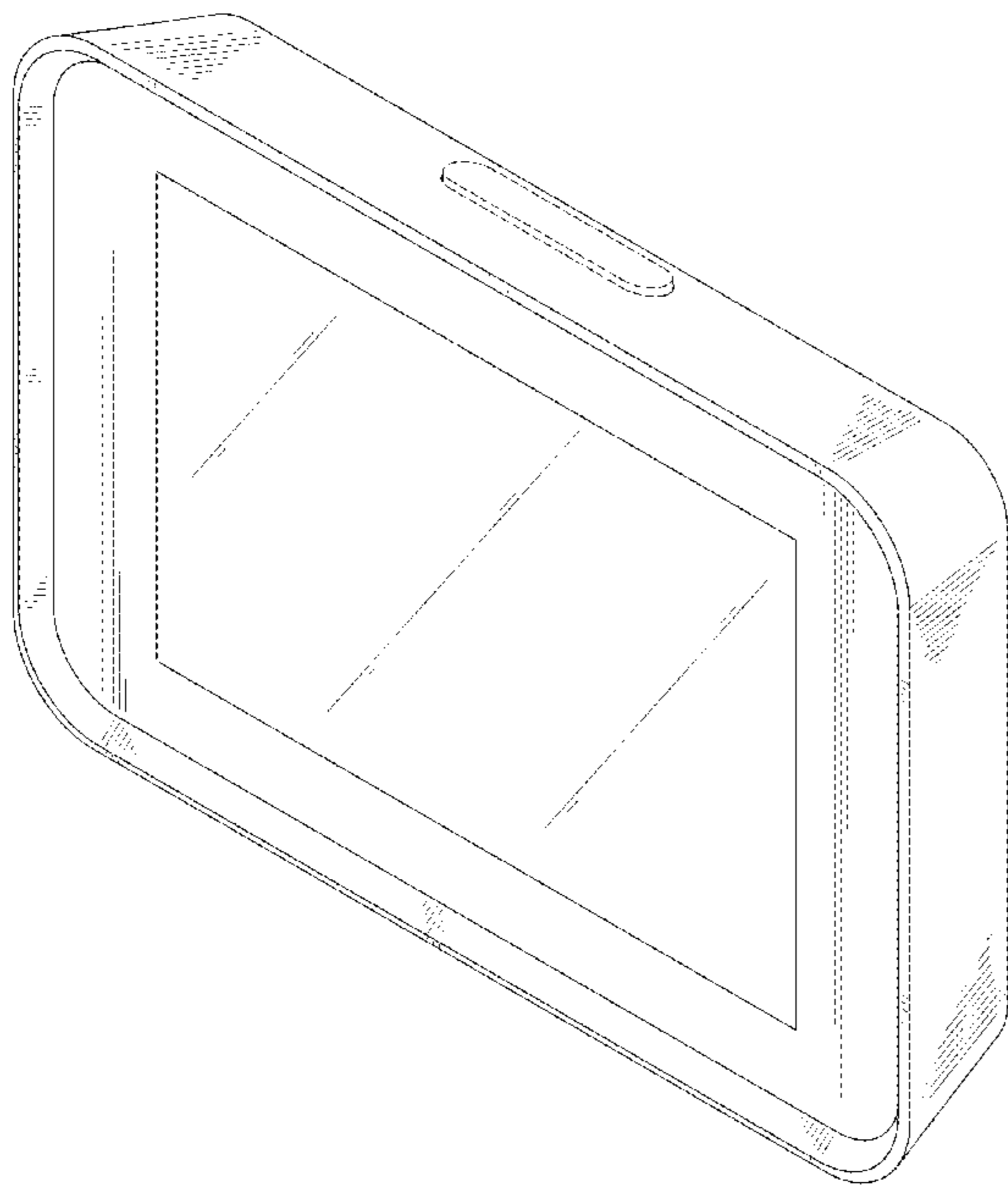
The ornamental design for an air quality monitor, as shown and described.

**DESCRIPTION**

FIG. 1 is a perspective view of an air quality monitor showing my new design;  
FIG. 2 is another perspective view thereof;  
FIG. 3 is a front elevational view thereof;  
FIG. 4 is a rear elevational view thereof;  
FIG. 5 is a left side elevational view thereof;  
FIG. 6 is a right side elevational view thereof;  
FIG. 7 is a top plan view thereof;  
FIG. 8 is a bottom plan view thereof; and,  
FIG. 9 is a perspective view thereof with the kickstand in an open position.

The broken lines in the drawings are for the purpose of illustrating portions of the air quality monitor that form no part of the claimed design.

**1 Claim, 9 Drawing Sheets**



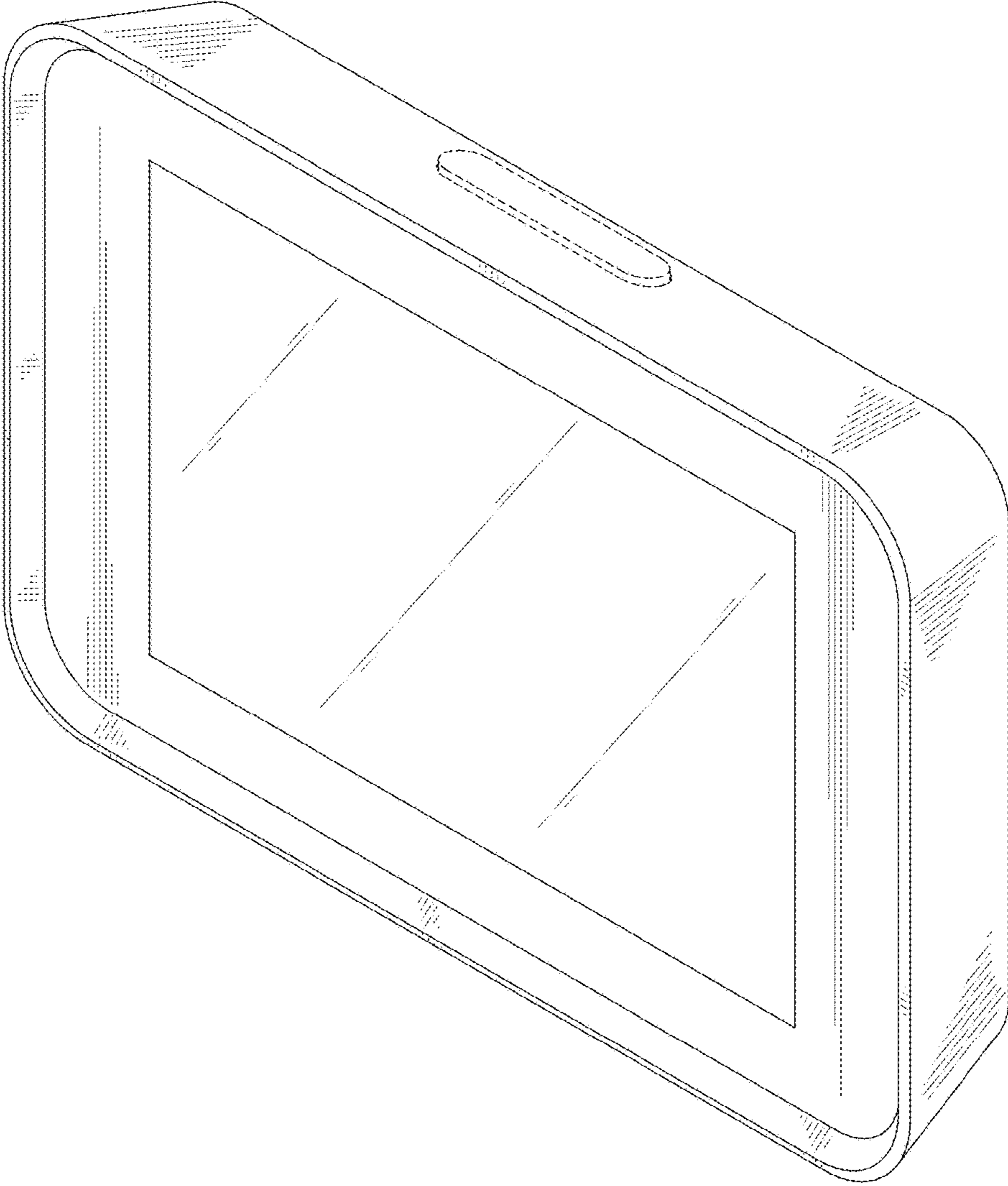


FIG. 1

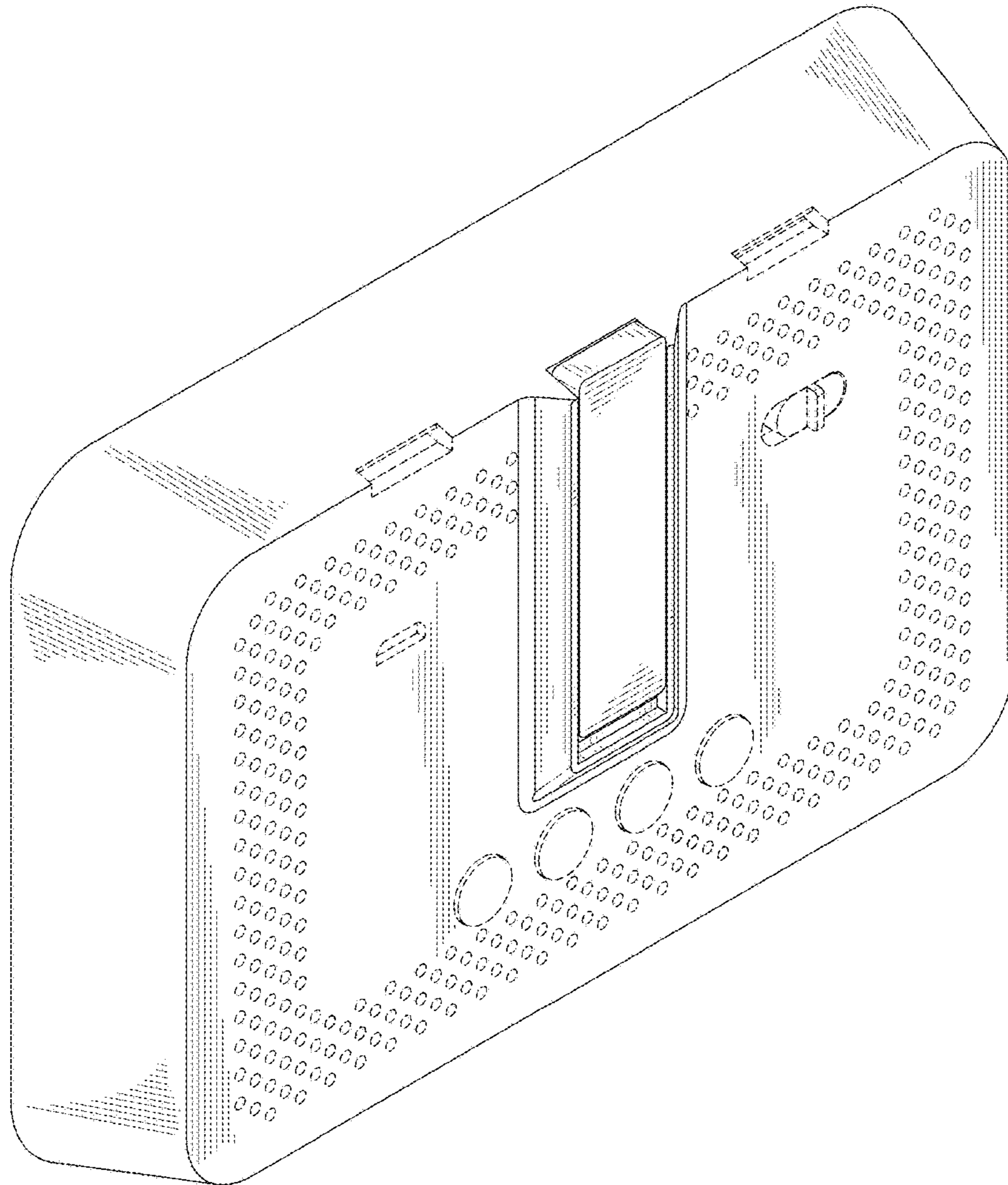


FIG. 2

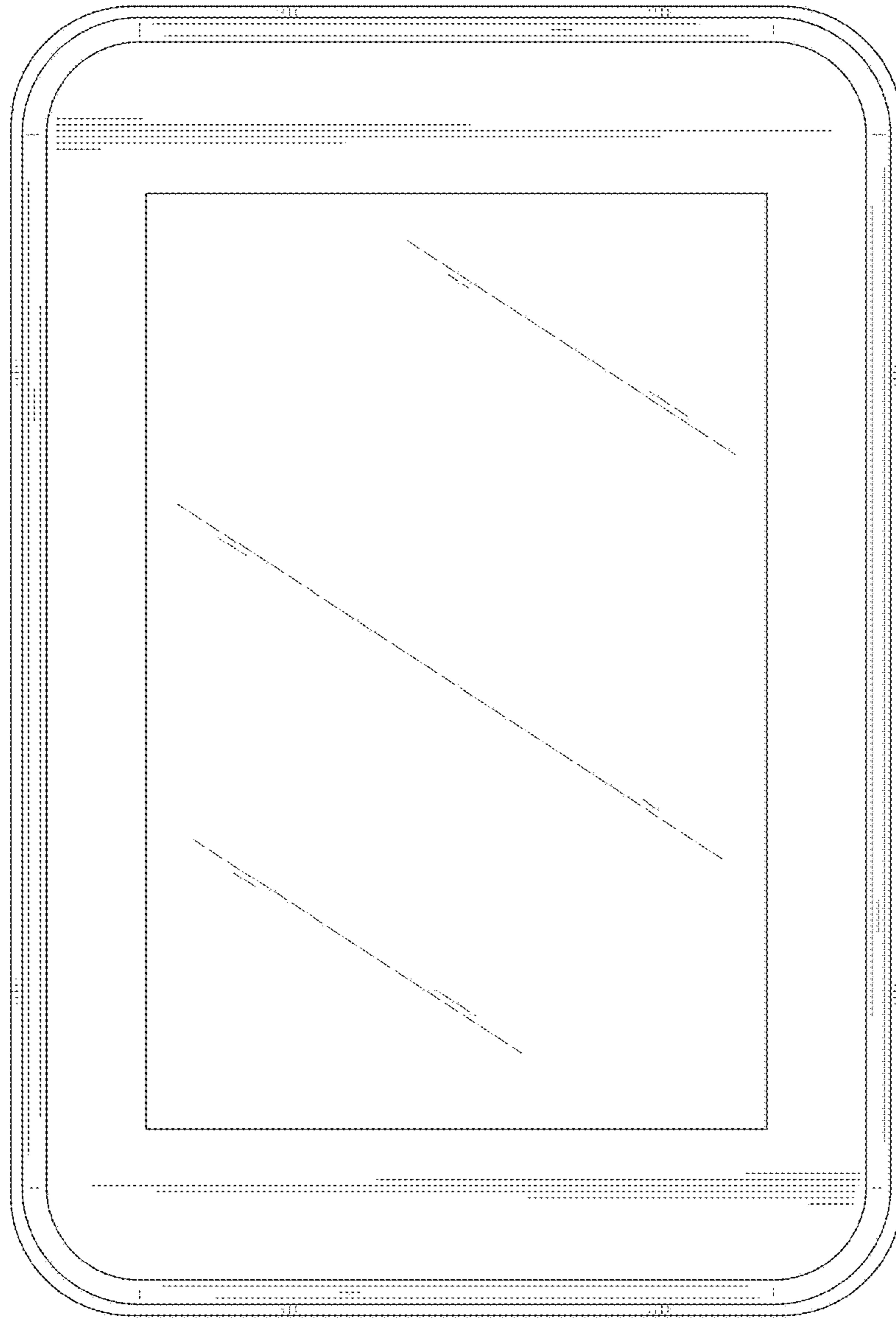


FIG. 3

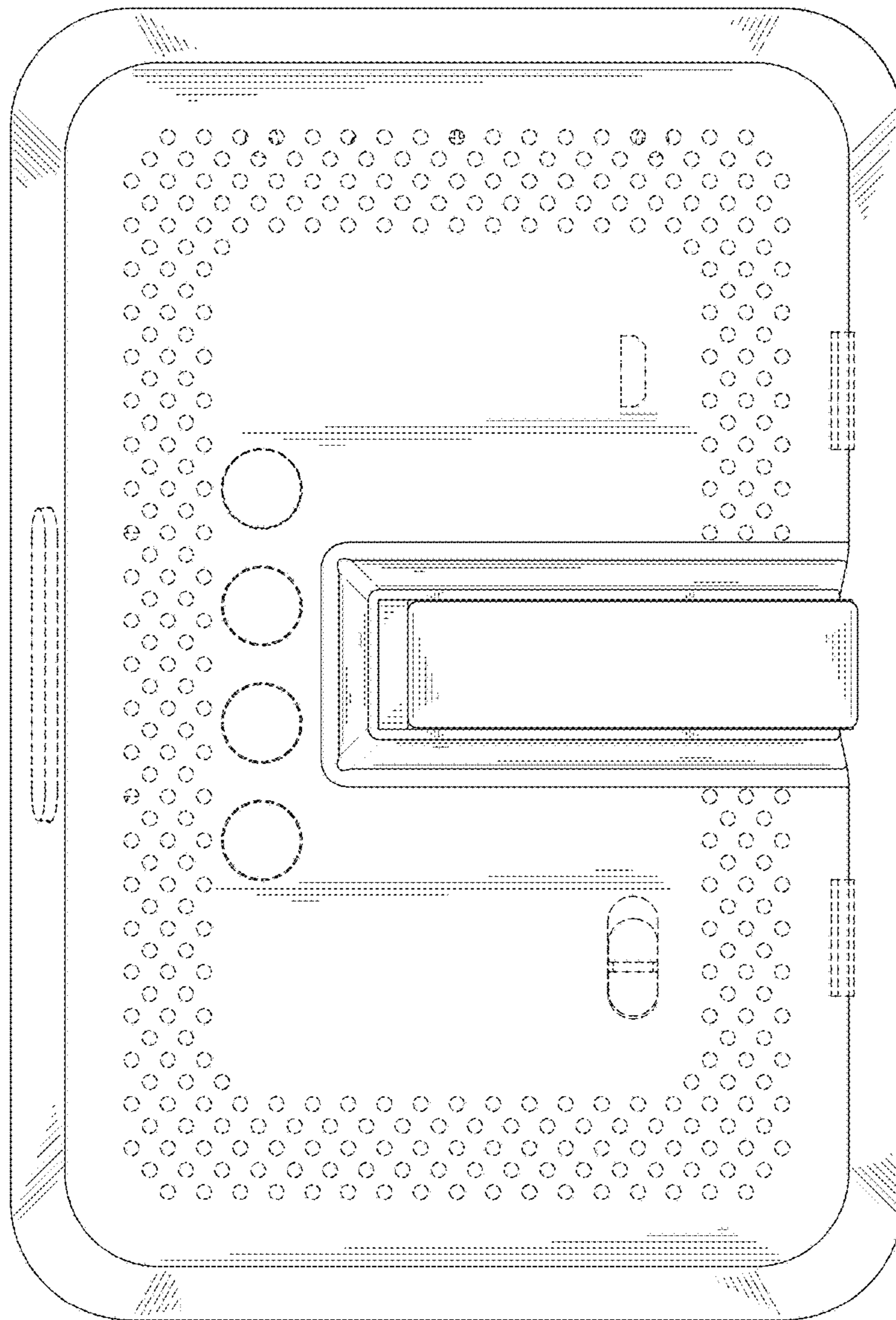


FIG. 4

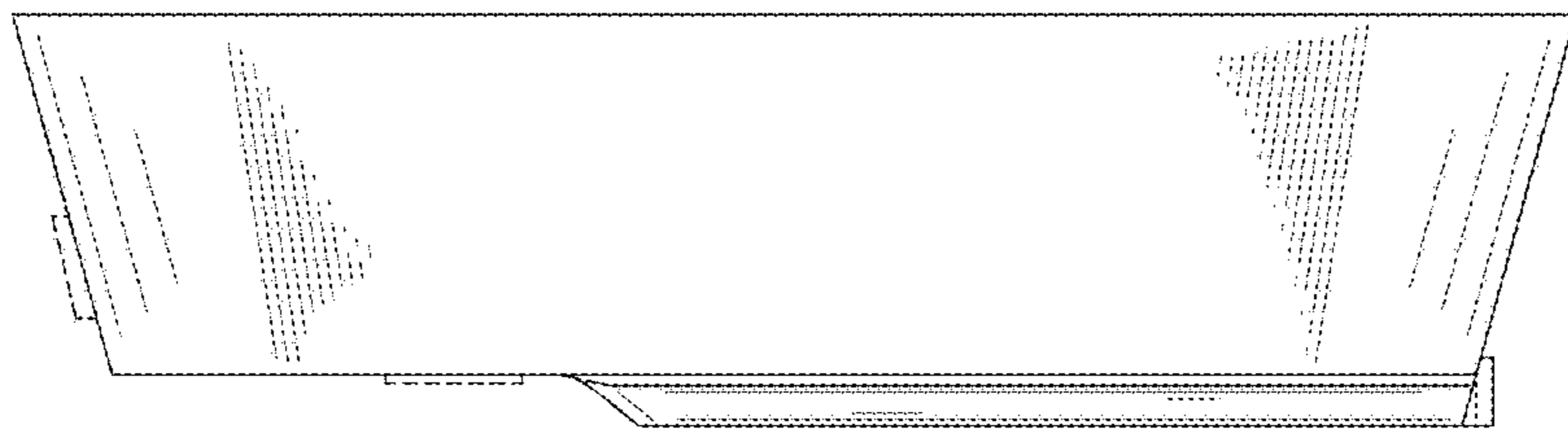


FIG. 5

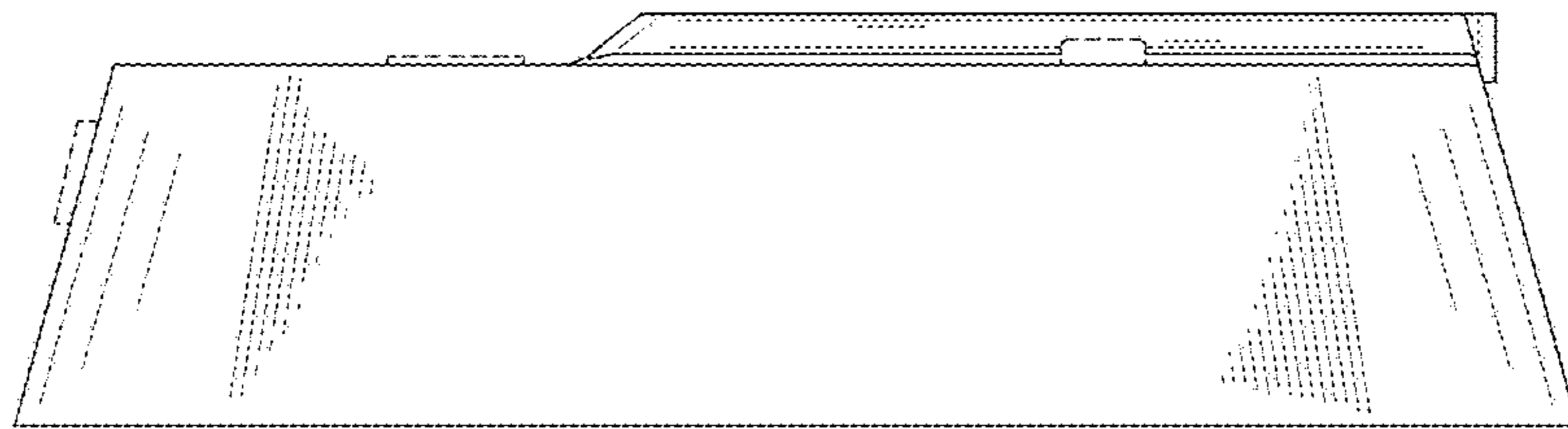


FIG. 6

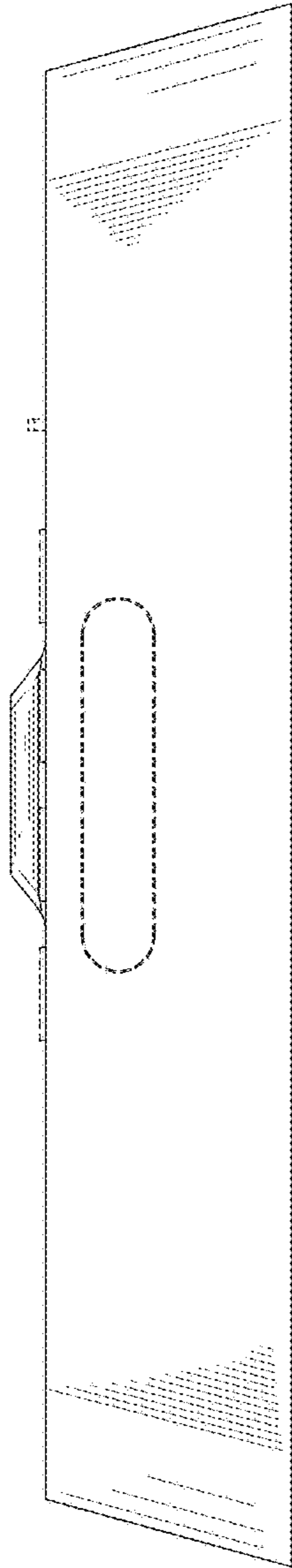


FIG. 7



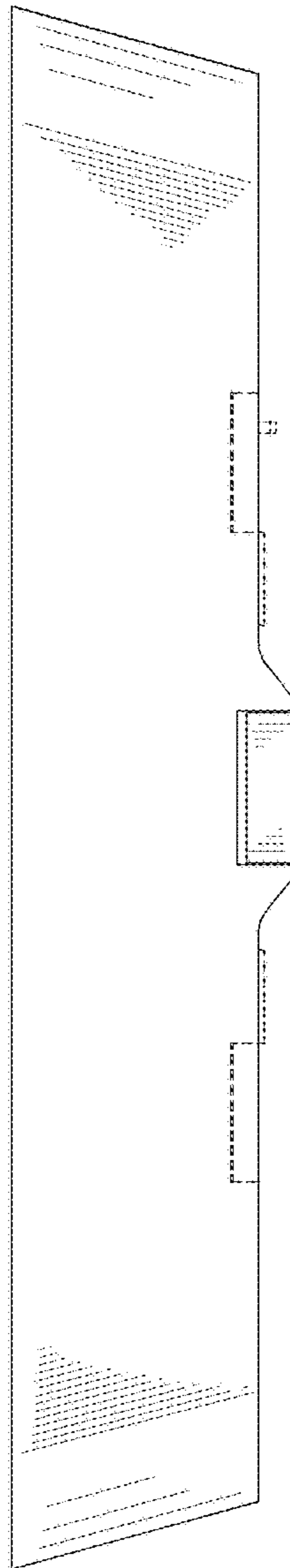


FIG. 8

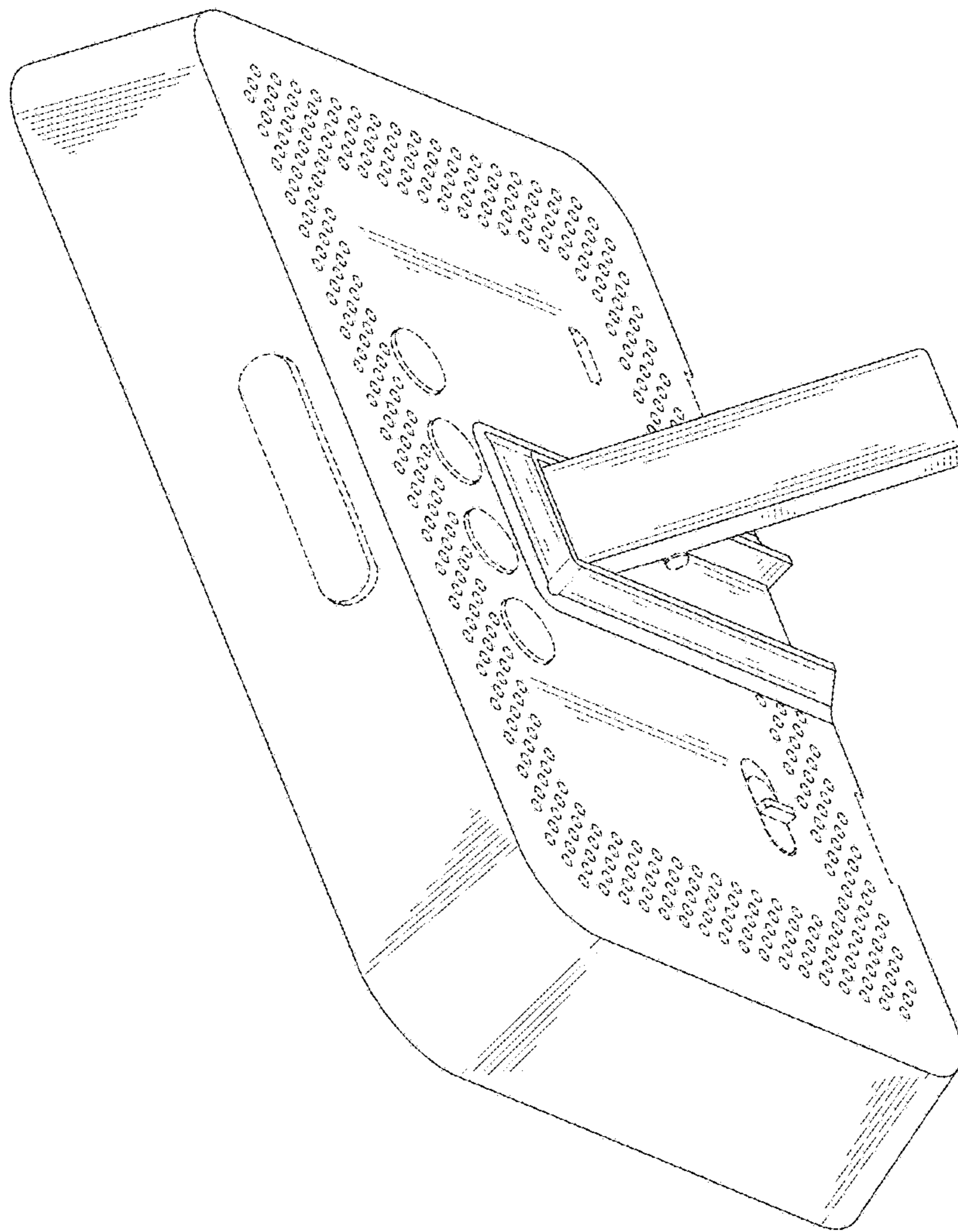


FIG. 9