



US00D864772S

(12) **United States Design Patent**
Jablonski et al.

(10) **Patent No.:** **US D864,772 S**
(45) **Date of Patent:** **** Oct. 29, 2019**

(54) **SPECTROPHOTOMETER**

DESCRIPTION

(71) Applicant: **THERMO ELECTRON SCIENTIFIC INSTRUMENTS LLC**, Madison, WI (US)

(72) Inventors: **Mike Jablonski**, Madison, WI (US); **Gang Shao**, Shanghai (CN); **Gordon Bain**, Verona, WI (US); **Jianjun Jin**, Shanghai (CN)

(73) Assignee: **THERMO ELECTRON SCIENTIFIC INSTRUMENTS LLC**, Madison, WI (US)

(**) Term: **15 Years**

(21) Appl. No.: **29/624,443**

(22) Filed: **Nov. 1, 2017**

(30) **Foreign Application Priority Data**

May 5, 2017 (CN) 2017 3 0161184

(51) **LOC (12) Cl.** **10-04**

(52) **U.S. Cl.**
USPC **D10/81; D24/216**

(58) **Field of Classification Search**
USPC **D10/81; D24/216, 231, 232, 233, 234**
(Continued)

(56) **References Cited**

U.S. PATENT DOCUMENTS

D373,315 S * 9/1996 Ninomiya D10/75
D640,581 S * 6/2011 Sato D10/81
(Continued)

Primary Examiner — Antoine Duval Davis

(74) *Attorney, Agent, or Firm* — William R. McCarthy, III

(57) **CLAIM**

The ornamental design for a spectrophotometer, substantially as shown and described.

FIG. 1 is a front view of a first embodiment of a spectrophotometer showing our new design;
FIG. 2 is a rear view of a first embodiment of a spectrophotometer showing our new design;
FIG. 3 is a left view of a first embodiment of a spectrophotometer showing our new design;
FIG. 4 is a right view of a first embodiment of a spectrophotometer showing our new design;
FIG. 5 is a top view of a first embodiment of a spectrophotometer showing our new design;
FIG. 6 is a bottom view of a first embodiment of a spectrophotometer showing our new design;
FIG. 7 is a perspective view of a first embodiment of a spectrophotometer showing our new design;
FIG. 8 is a reference view of a first embodiment of a spectrophotometer showing our new design;
FIG. 9 is a front view of a second embodiment of a spectrophotometer showing our new design;
FIG. 10 is a rear view of a second embodiment of a spectrophotometer showing our new design;
FIG. 11 is a left view of a second embodiment of a spectrophotometer showing our new design;
FIG. 12 is a right view of a second embodiment of a spectrophotometer showing our new design;
FIG. 13 is a top view of a second embodiment of a spectrophotometer showing our new design;
FIG. 14 is a bottom view of a second embodiment of a spectrophotometer showing our new design;
FIG. 15 is a perspective view of a second embodiment of a spectrophotometer showing our new design;
FIG. 16 is a front view of a third embodiment of a spectrophotometer showing our new design;
FIG. 17 is a rear view of a third embodiment of a spectrophotometer showing our new design;
FIG. 18 is a left view of a third embodiment of a spectrophotometer showing our new design;
FIG. 19 is a right view of a third embodiment of a spectrophotometer showing our new design;
FIG. 20 is a top view of a third embodiment of a spectrophotometer showing our new design;
FIG. 21 is a bottom view of a third embodiment of a spectrophotometer showing our new design;

(Continued)

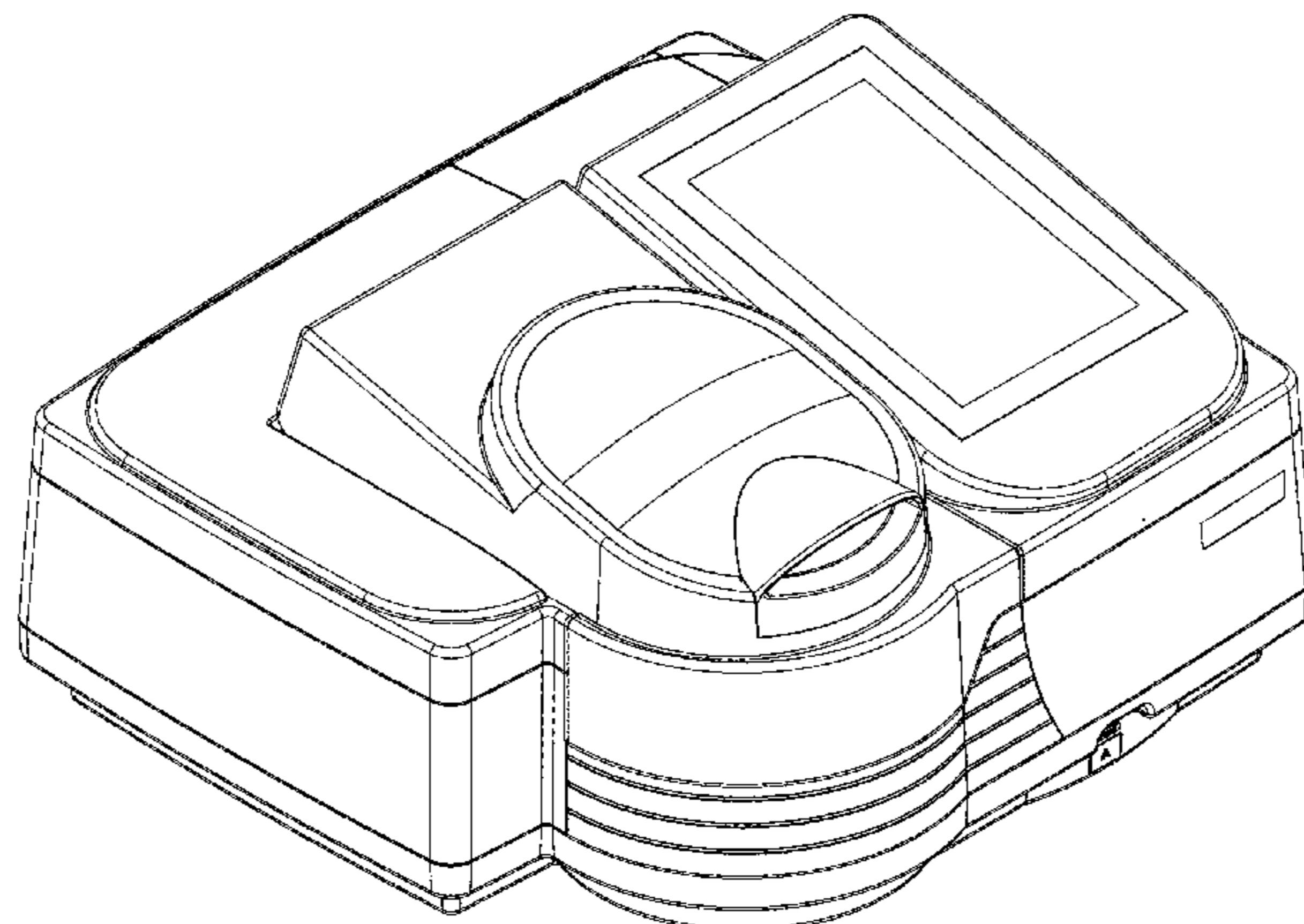


FIG. 22 is a perspective view of a third embodiment of a spectrophotometer showing our new design;
 FIG. 23 is a front view of a fourth embodiment of a spectrophotometer showing our new design;
 FIG. 24 is a rear view of a fourth embodiment of a spectrophotometer showing our new design;
 FIG. 25 is a left view of a fourth embodiment of a spectrophotometer showing our new design;
 FIG. 26 is a right view of a fourth embodiment of a spectrophotometer showing our new design;
 FIG. 27 is a top view of a fourth embodiment of a spectrophotometer showing our new design;
 FIG. 28 is a bottom view of a fourth embodiment of a spectrophotometer showing our new design;
 FIG. 29 is a perspective view of a fourth embodiment of a spectrophotometer showing our new design; and,
 FIG. 30 is a reference view of a fourth embodiment of a spectrophotometer showing our new design.
 The dashed broken line(s) define the bounds of the claimed design and form no part thereof.

1 Claim, 30 Drawing Sheets

(58) Field of Classification Search

CPC G01J 3/00; G01J 3/0202; G01J 3/0205;
 G01J 3/0208; G01J 3/021; G01J 3/0213;
 G01J 3/0216; G01J 3/0221; G01J 3/0224;
 G01J 3/0227; G01J 3/0229; G01J 3/0232;
 G01J 3/0235; G01J 3/0237; G01J 3/024;
 G01J 3/0243; G01J 3/0245; G01J 3/0248;
 G01J 3/0251; G01J 3/0254; G01J 3/0256;
 G01J 3/0259; G01J 3/0262; G01J 3/0264;
 G01J 3/0267; G01J 3/027; G01J 3/0272;
 G01J 3/0275; G01J 3/0278; G01J 3/0283;
 G01J 3/0286; G01J 3/0289; G01J 3/0291;
 G01J 3/0294; G01J 3/0297; G01J 3/04;
 G01J 3/06; G01J 3/08; G01J 3/12; G01J
 3/1256; G01J 3/14; G01J 3/16; G01J
 3/18; G01J 3/1804; G01J 3/1809; G01J
 3/1833; G01J 3/1838; G01J 3/189; G01J
 3/1895; G01J 3/20; G01J 3/22; G01J
 3/24; G01J 3/26; G01J 3/28; G01J
 3/2803; G01J 3/2823; G01J 3/2846; G01J
 3/2889; G01J 3/30; G01J 3/32; G01J
 3/36; G01J 3/40; G01J 3/42; G01J 3/427;
 G01J 3/433; G01J 3/4338; G01J 3/44;
 G01J 3/4406; G01J 3/4412; G01J 3/443;
 G01J 3/447; G01J 3/45; G01J 3/453;
 G01J 3/4531; G01J 3/4532; G01J 3/4535;
 G01J 3/4537; G01J 3/457; G01J 3/46;
 G01J 3/461; G01J 3/462; G01J 3/463;
 G01J 3/465; G01J 3/50; G01J 3/501;
 G01J 3/502; G01J 3/504; G01J 3/505;
 G01J 3/506; G01J 3/508; G01J 3/51;
 G01J 3/513; G01J 3/52; G01J 3/522;
 G01J 3/524; G01J 3/526; G01J 3/528;
 G01J 2003/0281; G01J 2003/042; G01J

2003/045; G01J 2003/047; G01J
 2003/061; G01J 2003/062; G01J
 2003/064; G01J 2003/065; G01J
 2003/066; G01J 2003/067; G01J
 2003/068; G01J 2003/069; G01J
 2003/1204; G01J 2003/1208; G01J
 2003/1213; G01J 2003/1217; G01J
 2003/1221; G01J 2003/1226; G01J
 2003/123; G01J 2003/1234; G01J
 2003/1239; G01J 2003/1243; G01J
 2003/1247; G01J 2003/1252; G01J
 2003/126; G01J 2003/1265; G01J
 2003/1269; G01J 2003/1273; G01J
 2003/1278; G01J 2003/1282; G01J
 2003/1286; G01J 2003/1291; G01J
 2003/1295; G01J 2003/145; G01J
 2003/1814; G01J 2003/1819; G01J
 2003/1823; G01J 2003/1828; G01J
 2003/1842; G01J 2003/1847; G01J
 2003/1852; G01J 2003/1857; G01J
 2003/1861; G01J 2003/1866; G01J
 2003/1871; G01J 2003/1876; G01J
 2003/188; G01J 2003/1885; G01J
 2003/262; G01J 2003/26; G01J 2003/267;
 G01J 2003/2806; G01J 2003/2809; G01J
 2003/2813; G01J 2003/2816; G01J
 2003/282; G01J 2003/2826; G01J
 2003/283; G01J 2003/2833; G01J
 2003/2836; G01J 2003/284; G01J
 2003/2843; G01J 2003/285; G01J
 2003/2853; G01J 2003/2856; G01J
 2003/2859; G01J 2003/2863; G01J
 2003/2866; G01J 2003/2869; G01J
 2003/2873; G01J 2003/2876; G01J
 2003/2879; G01J 2003/2883; G01J
 2003/2886; G01J 2003/2893; G01J
 2003/2896; G01J 2003/323; G01J
 2003/326; G01J 2003/421; G01J
 2003/423; G01J 2003/425; G01J
 2003/4275; G01J 2003/4332; G01J
 2003/4334; G01J 2003/4336; G01J
 2003/4418; G01J 2003/4424; G01J
 2003/4435; G01J 2003/451; G01J
 2003/452; G01J 2003/4534; G01J
 2003/4538; G01J 2003/466; G01J
 2003/467; G01J 2003/468; G01J
 2003/503; G01J 2003/507; G01J
 2003/516

See application file for complete search history.

(56)

References Cited

U.S. PATENT DOCUMENTS

D761,142 S * 7/2016 Golta D10/81
 D796,979 S * 9/2017 Delavy D10/81
 D797,587 S * 9/2017 Delavy D10/81

* cited by examiner

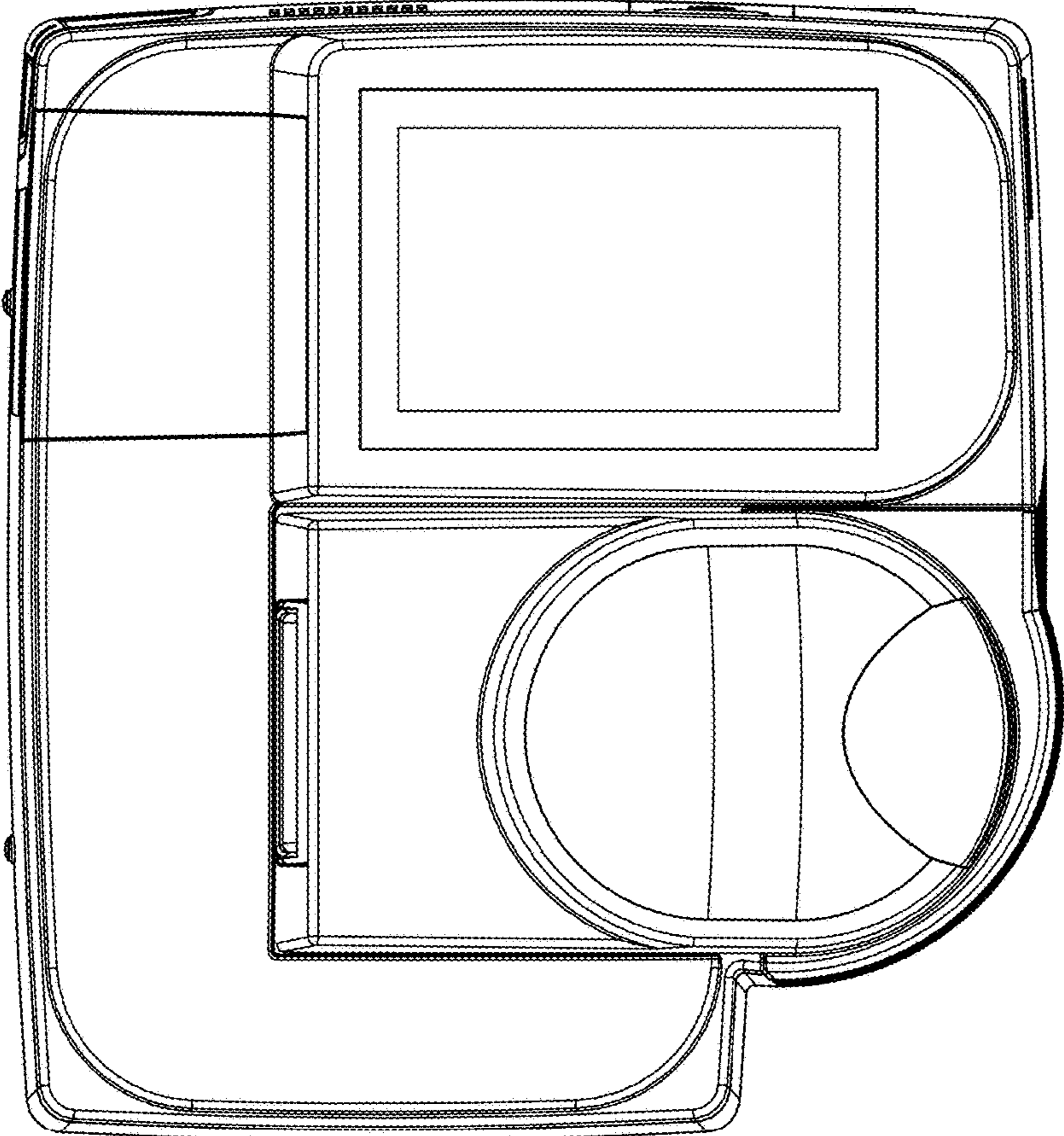


FIG. 1

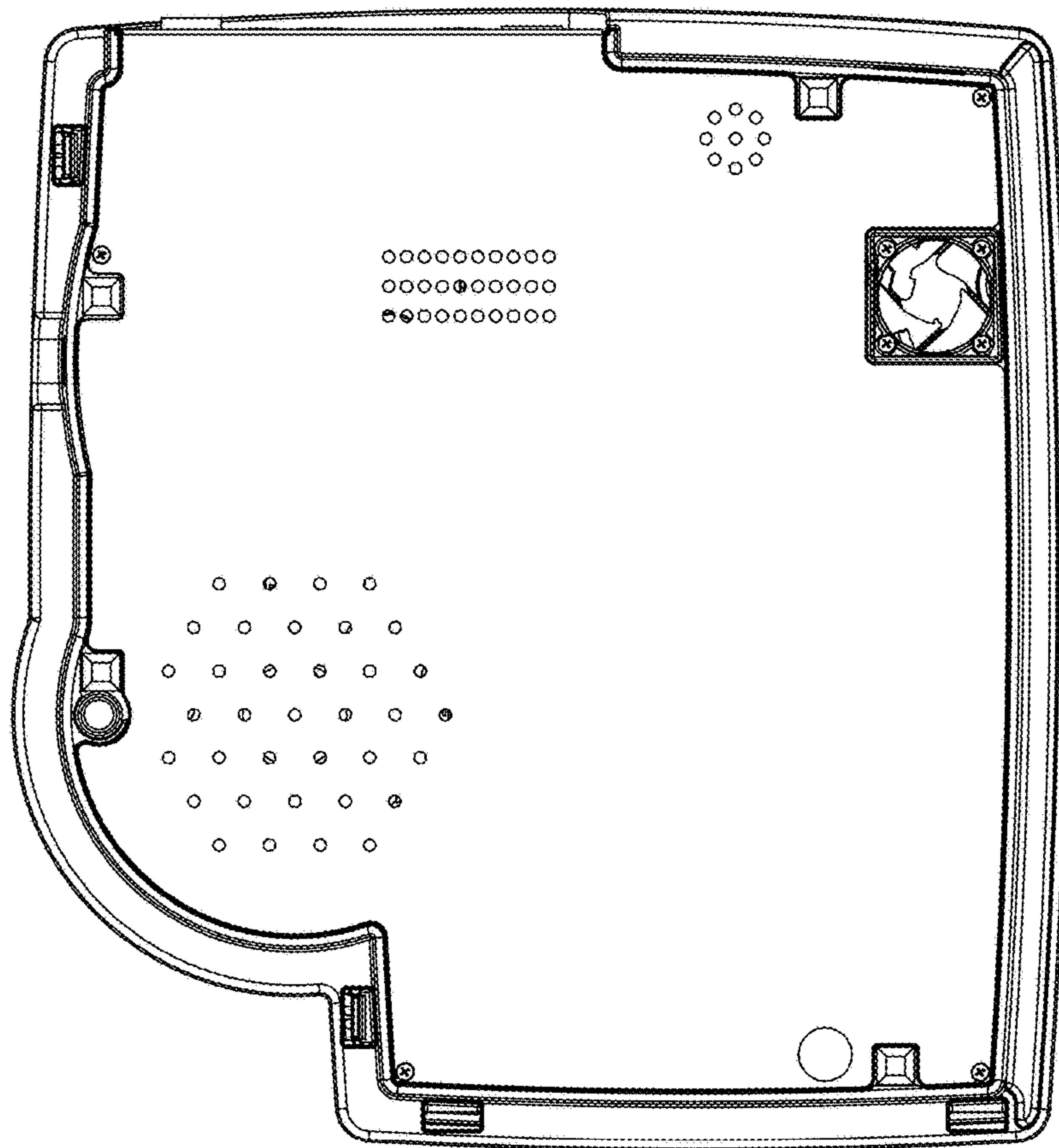


FIG. 2

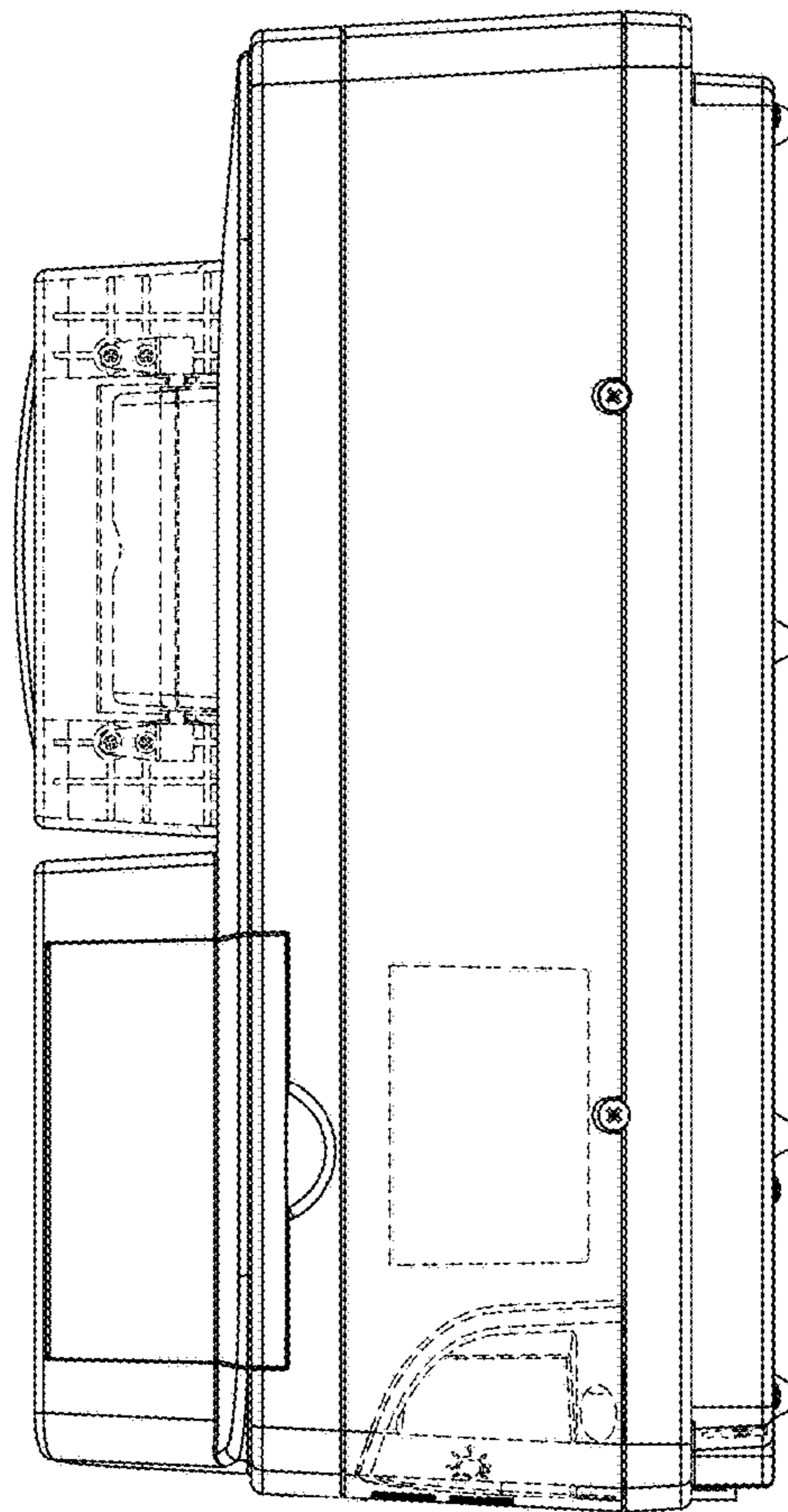


FIG. 3

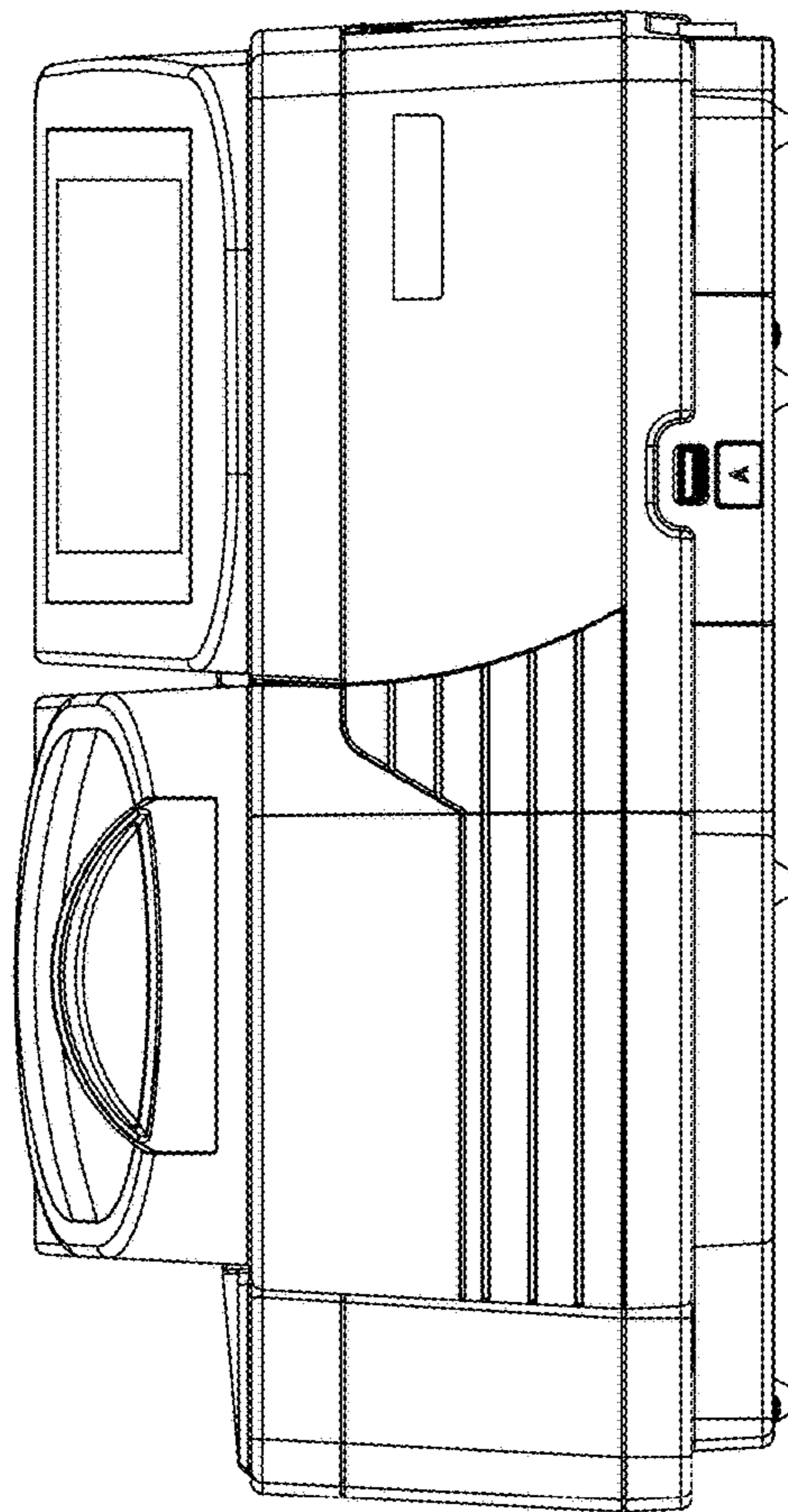


FIG. 4

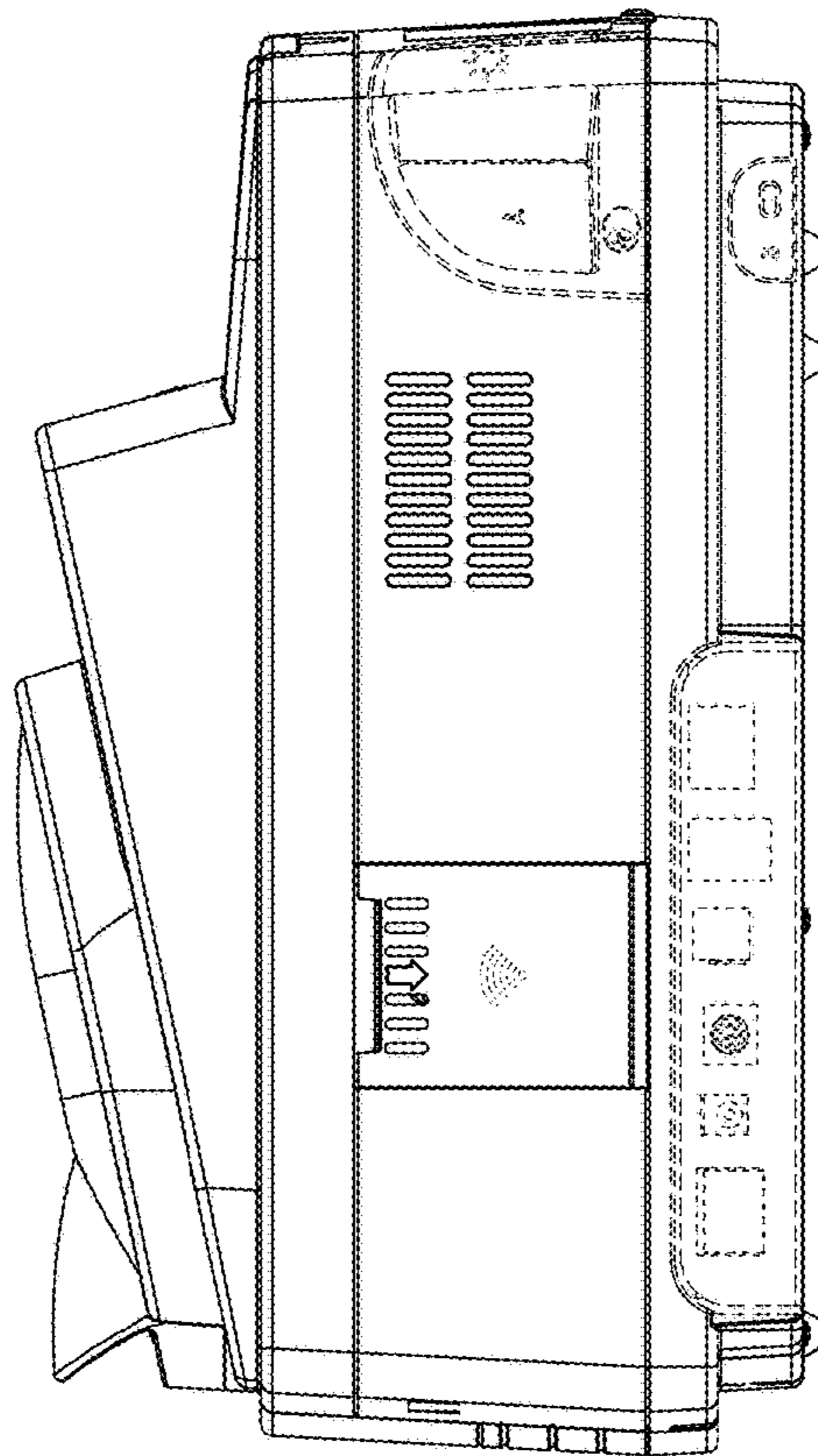


FIG. 5

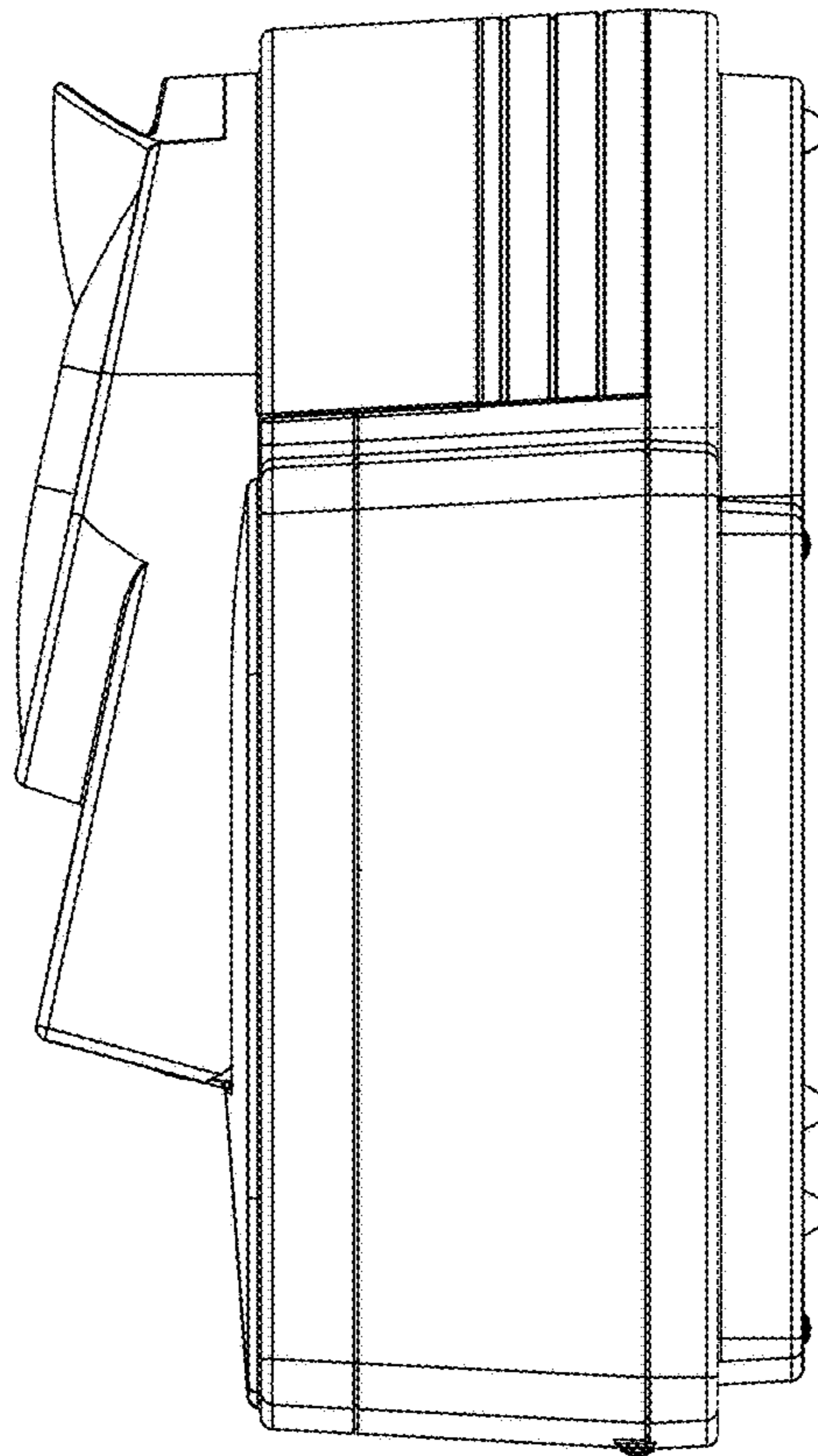


FIG. 6

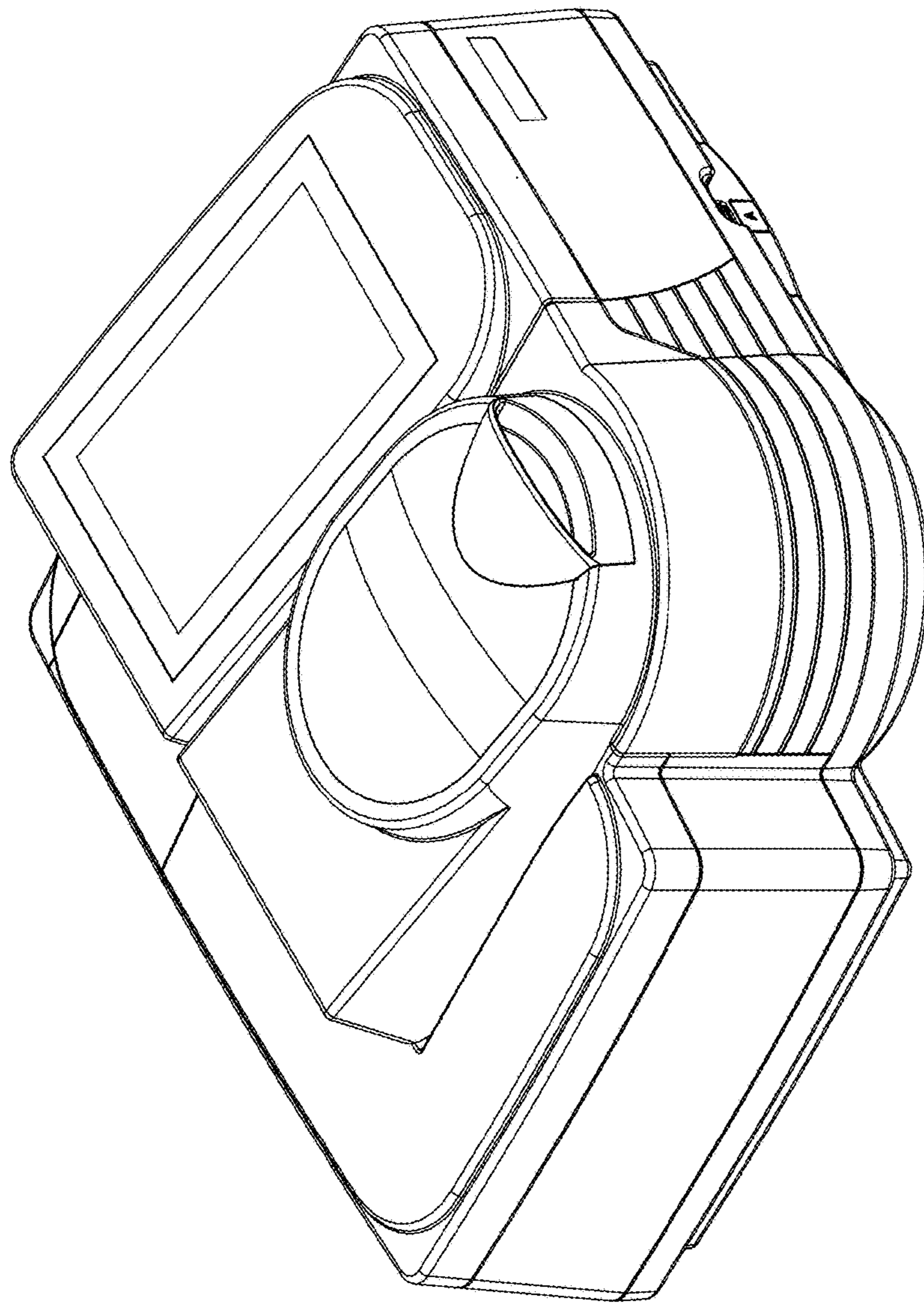


FIG. 7

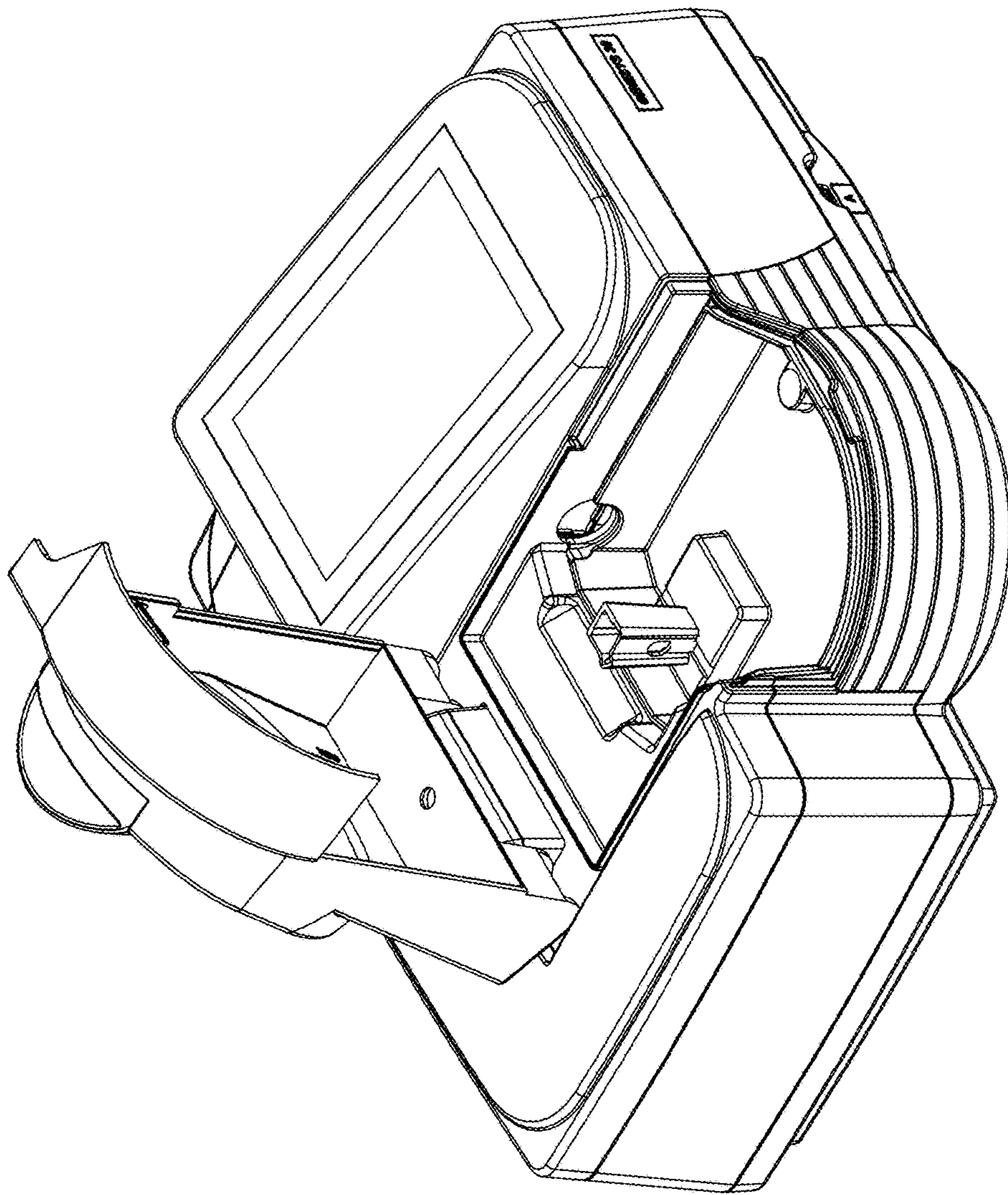


FIG. 8

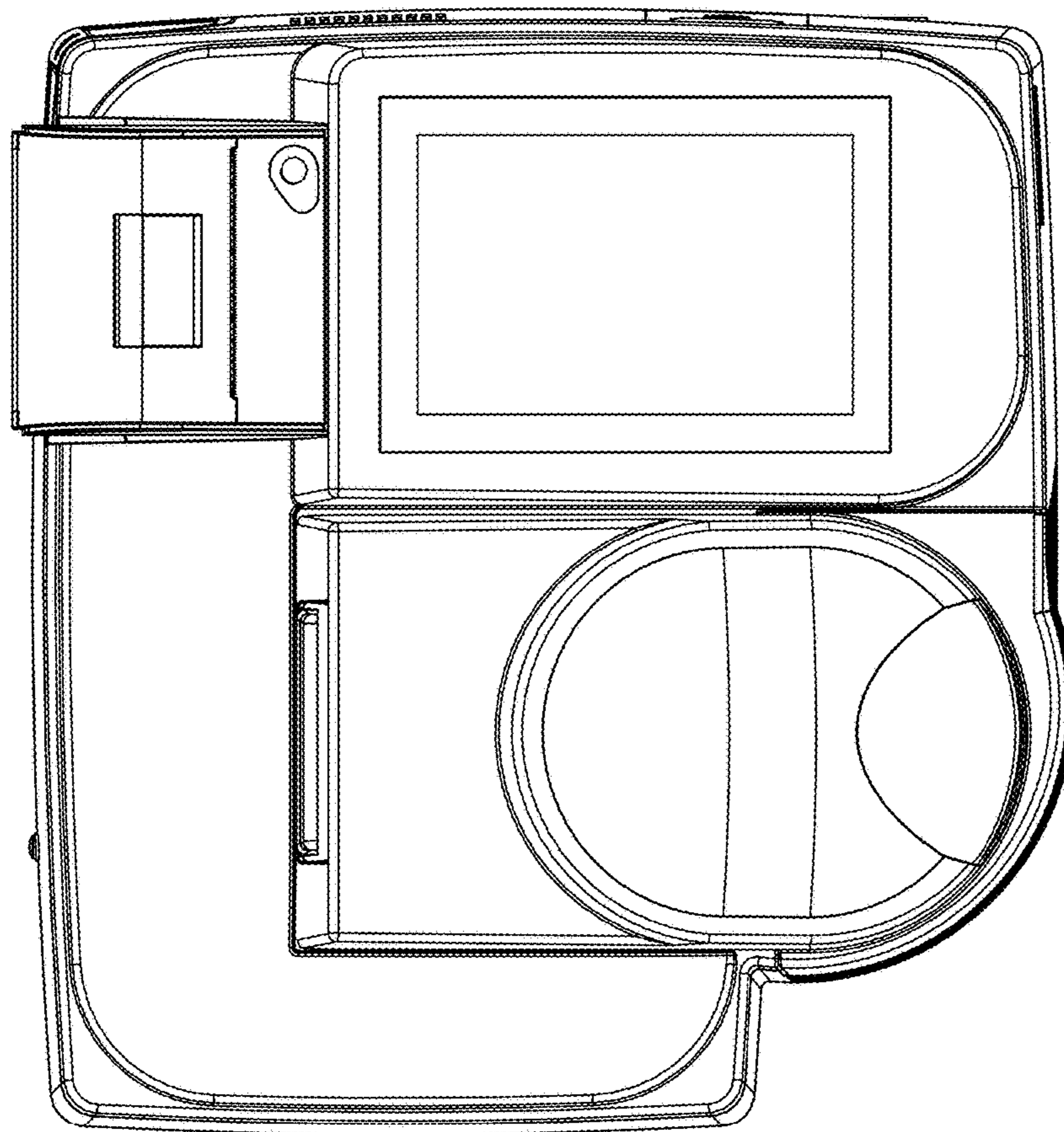


FIG. 9

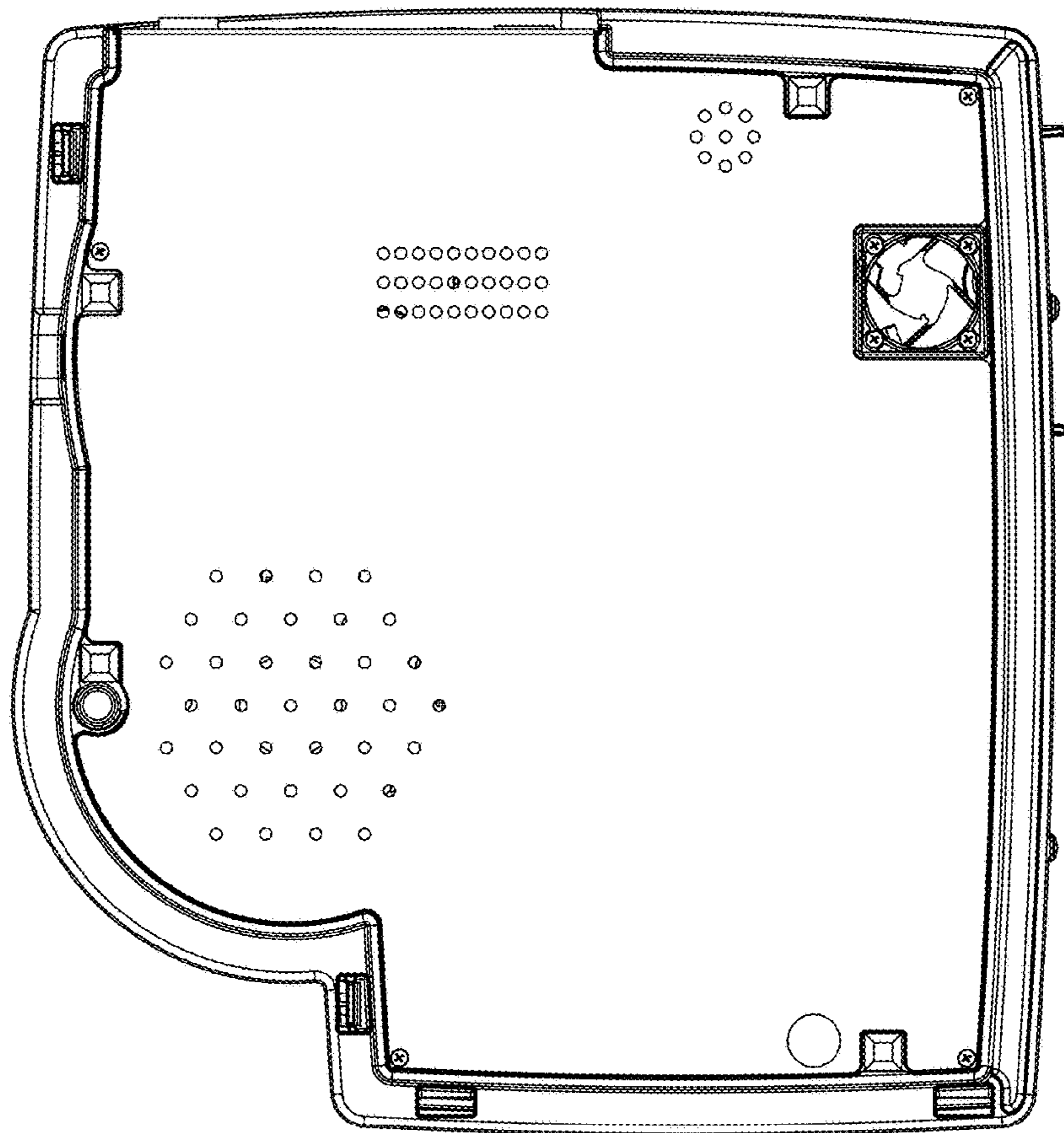


FIG. 10

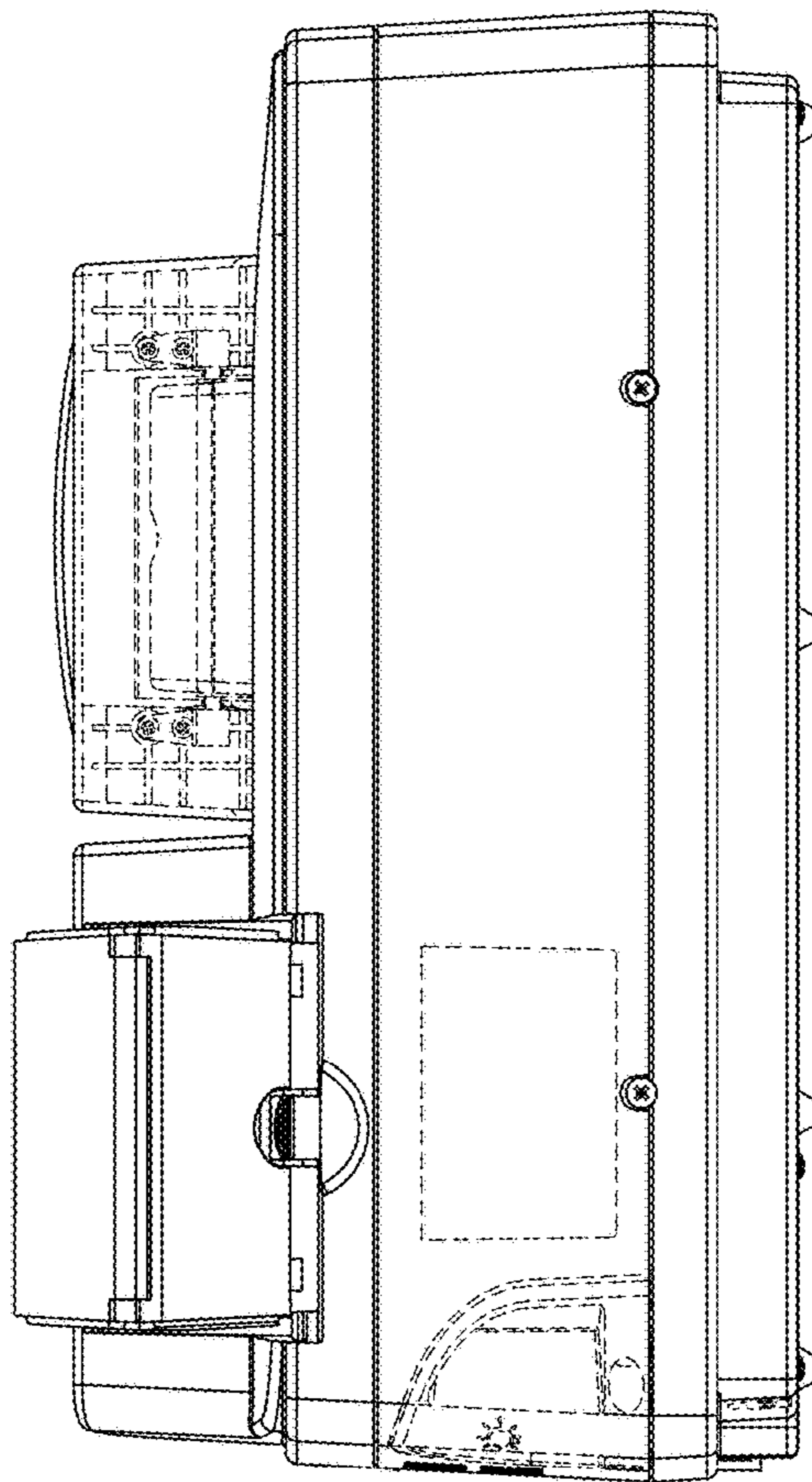


FIG. 11

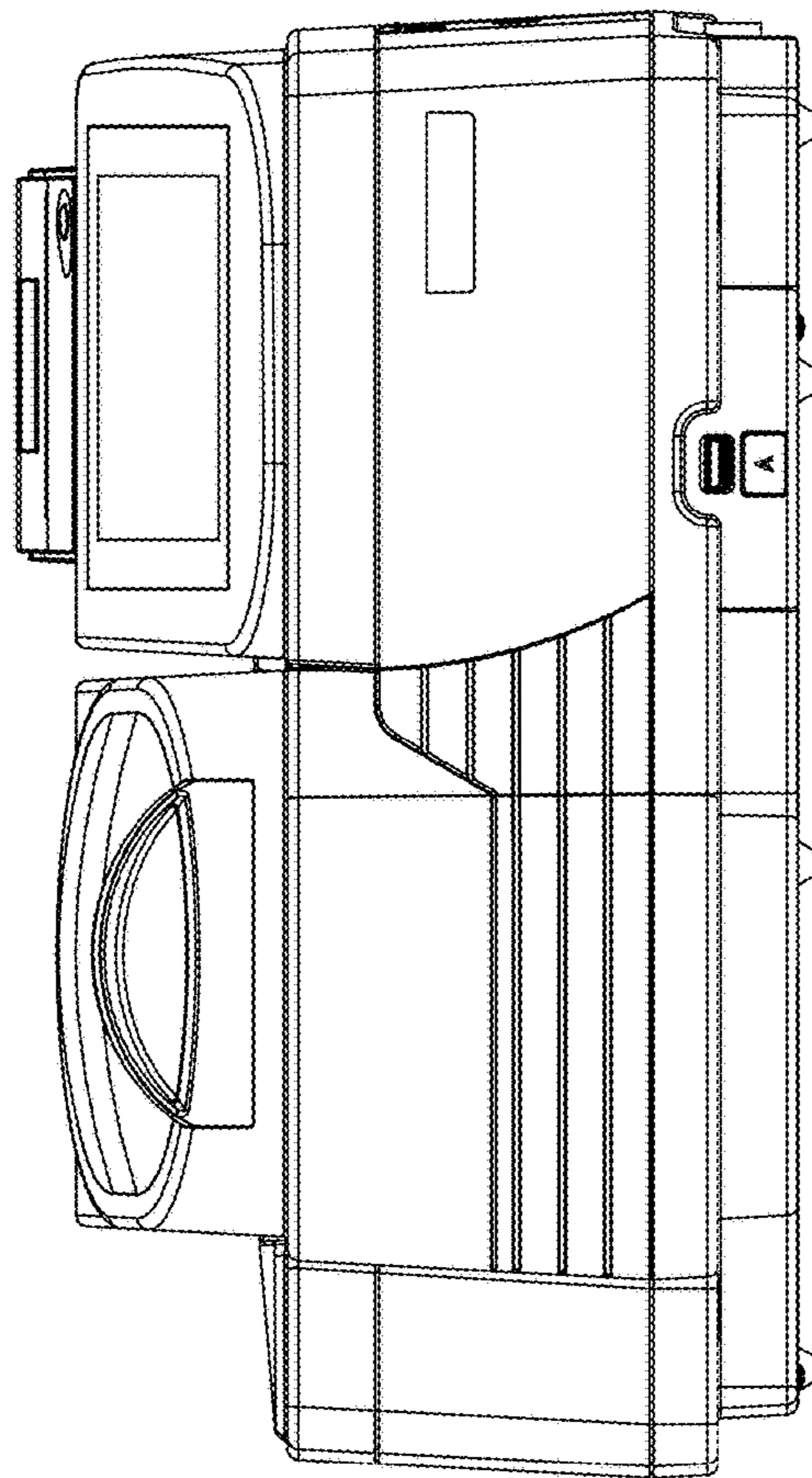


FIG. 12

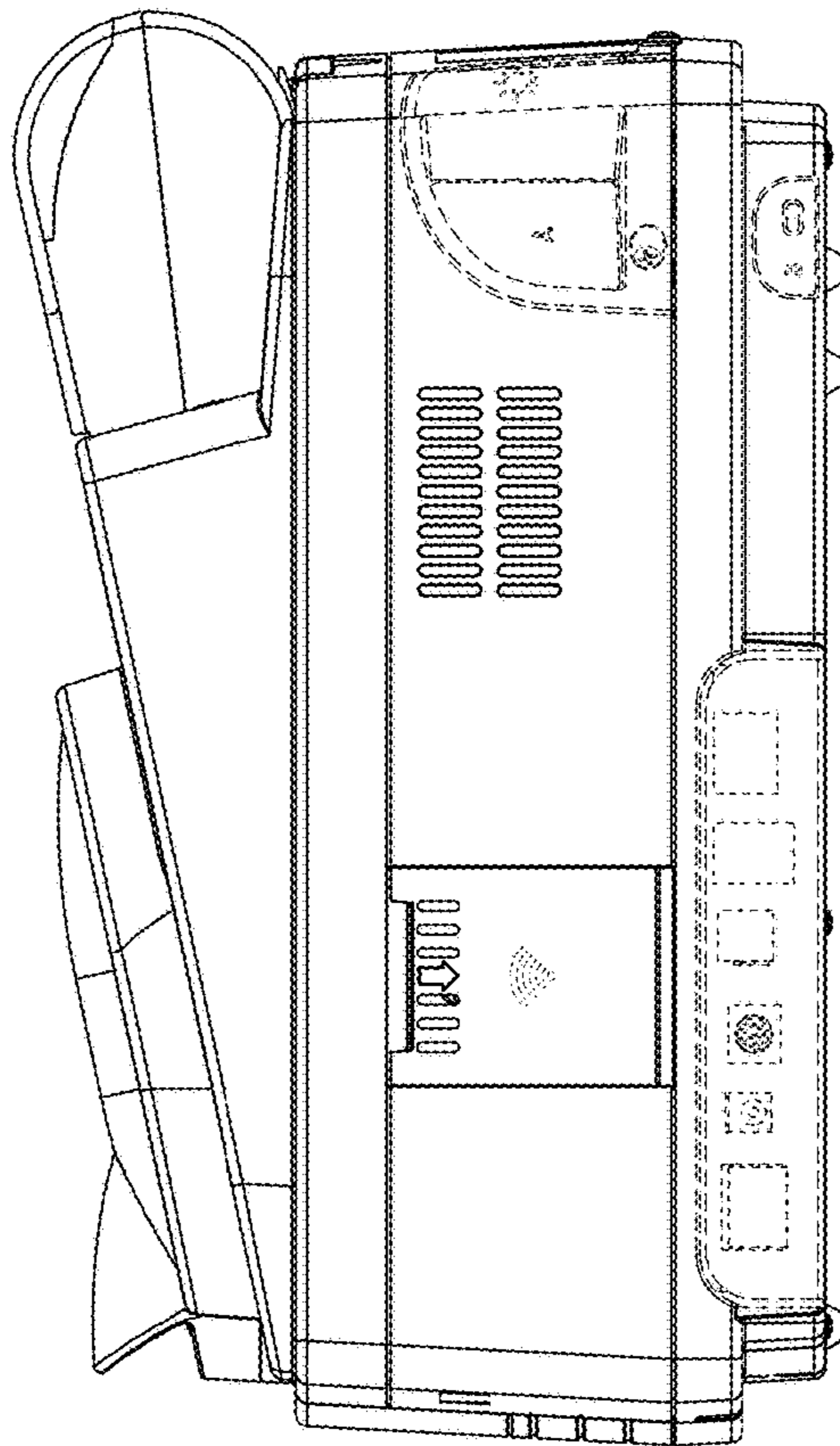


FIG. 13

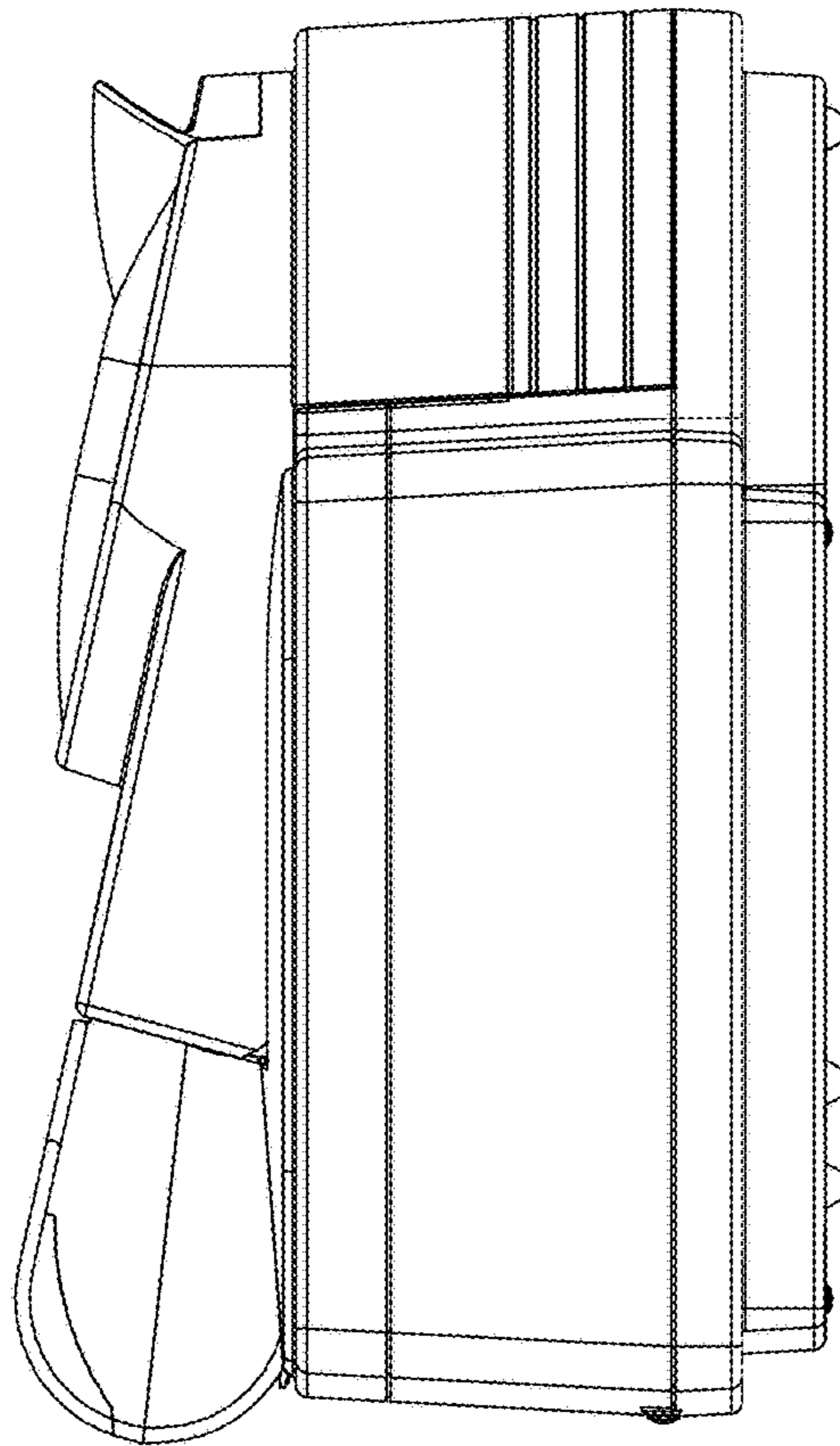


FIG. 14

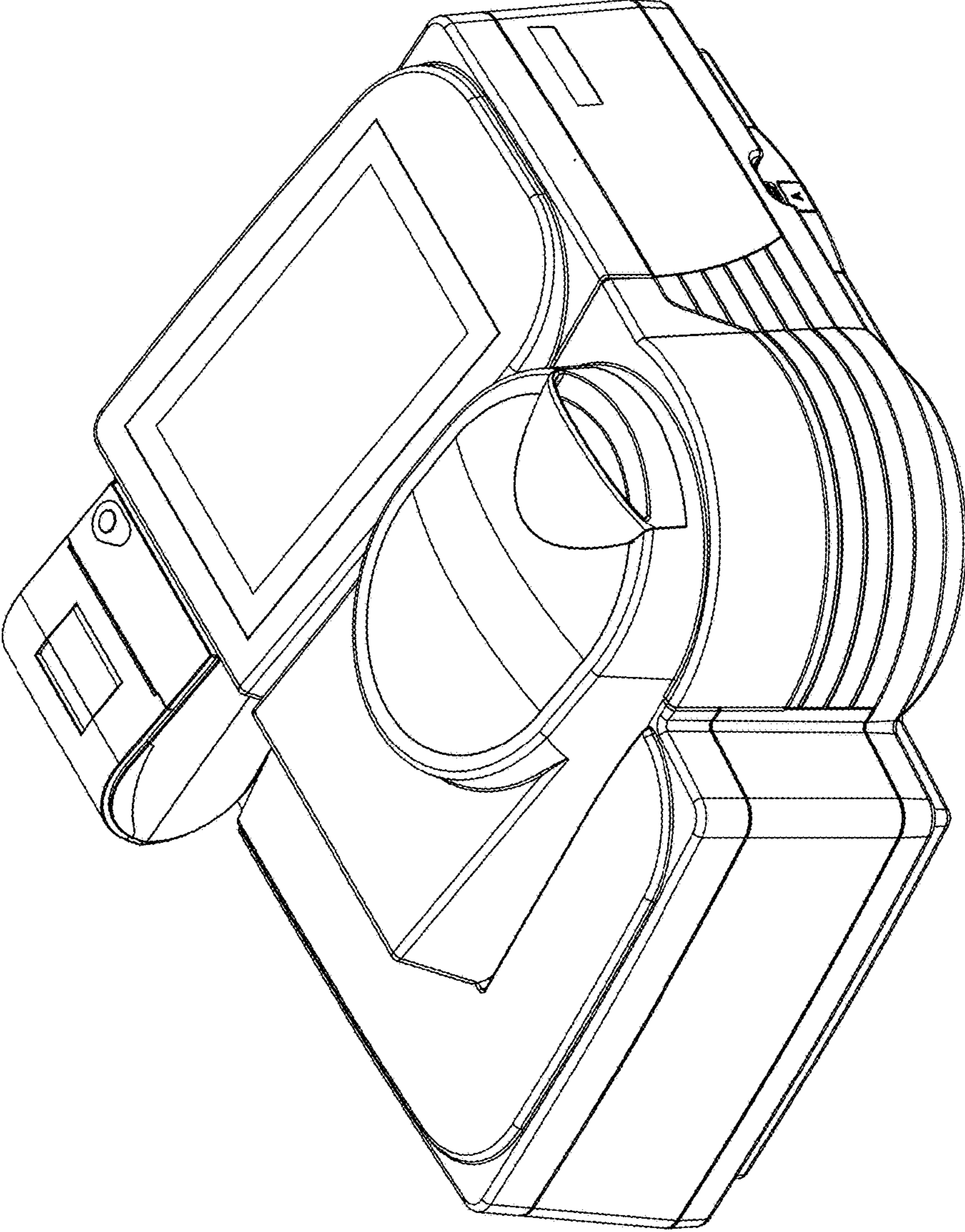


FIG. 15

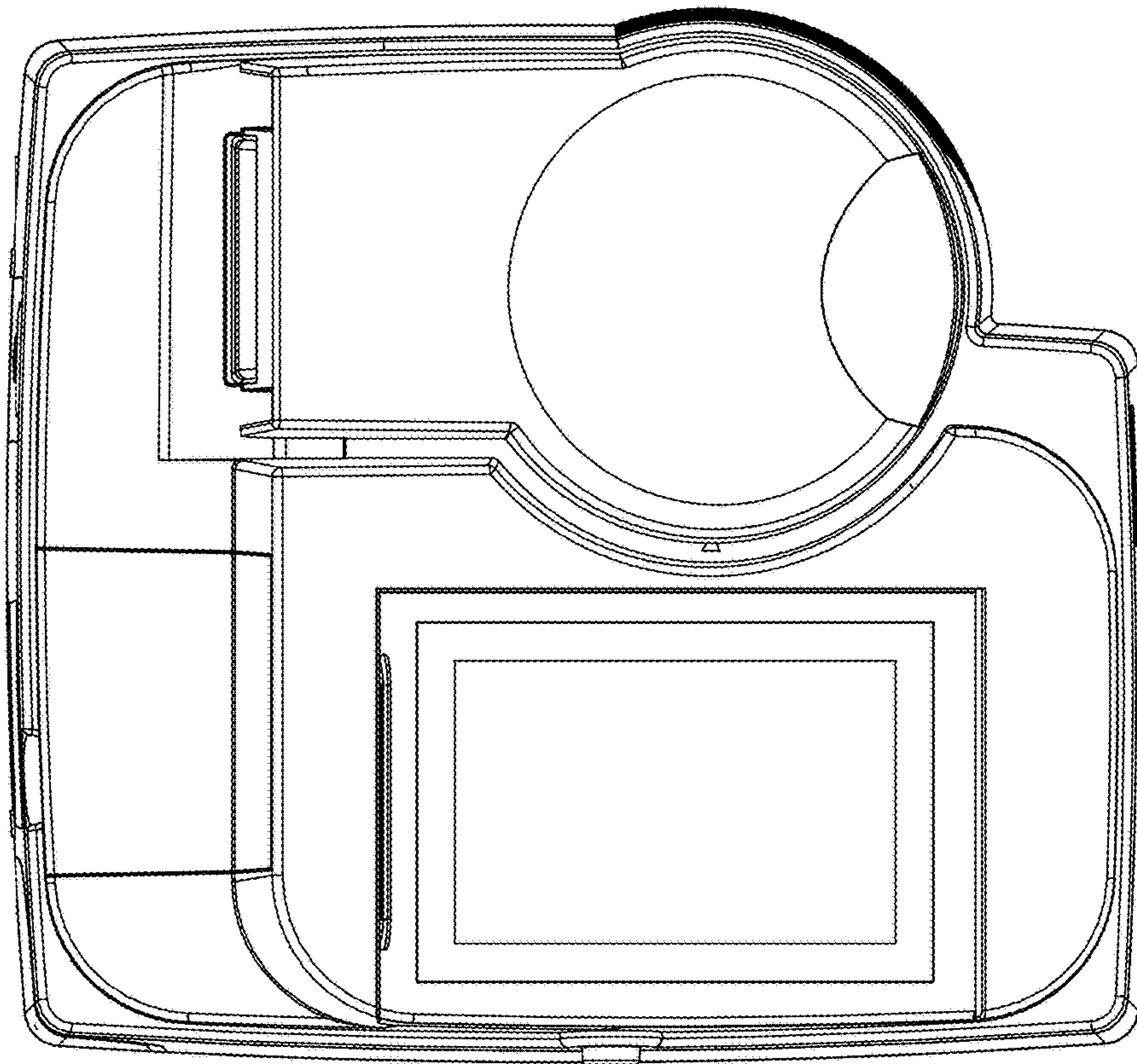


FIG. 16

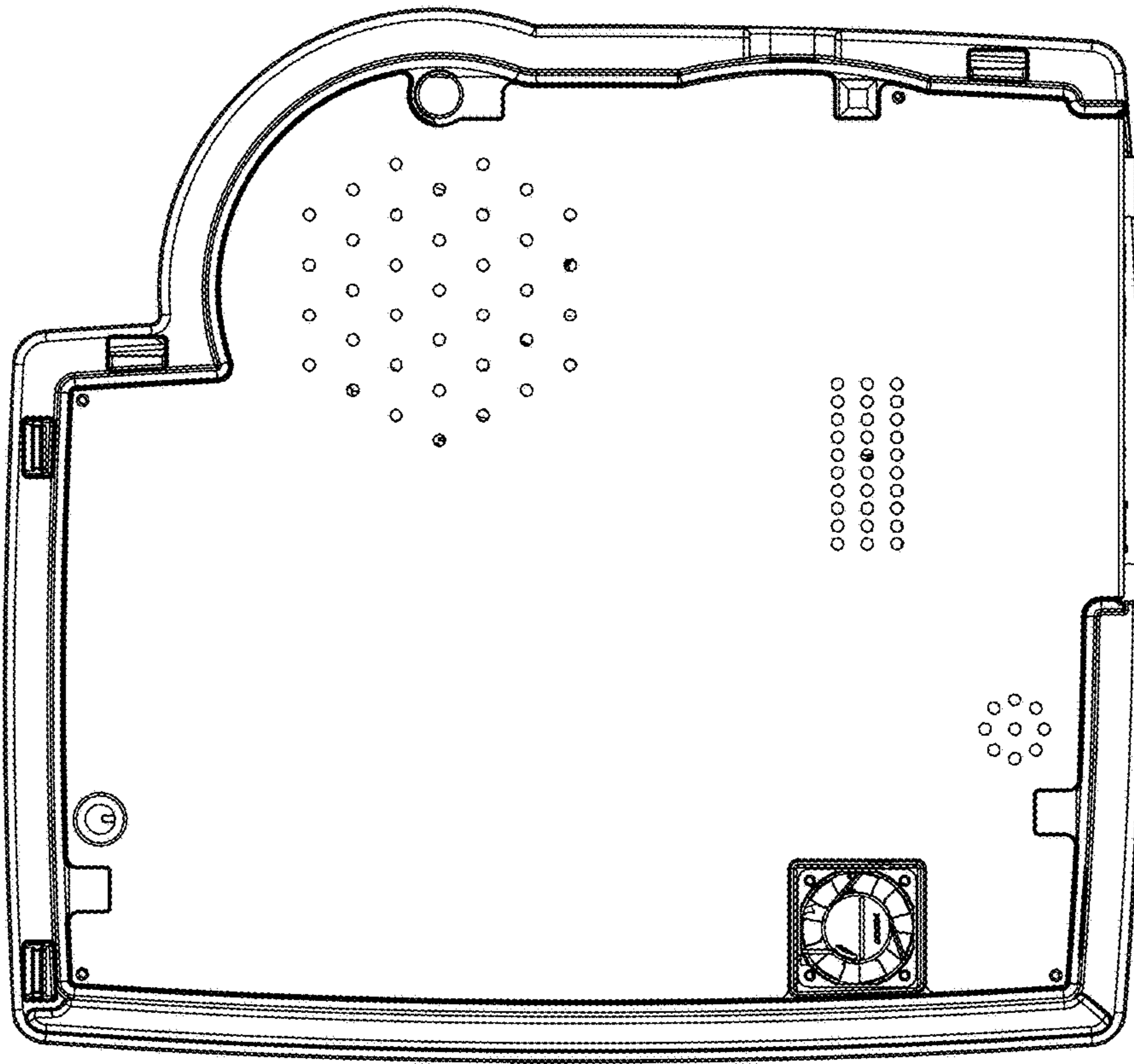


FIG. 17

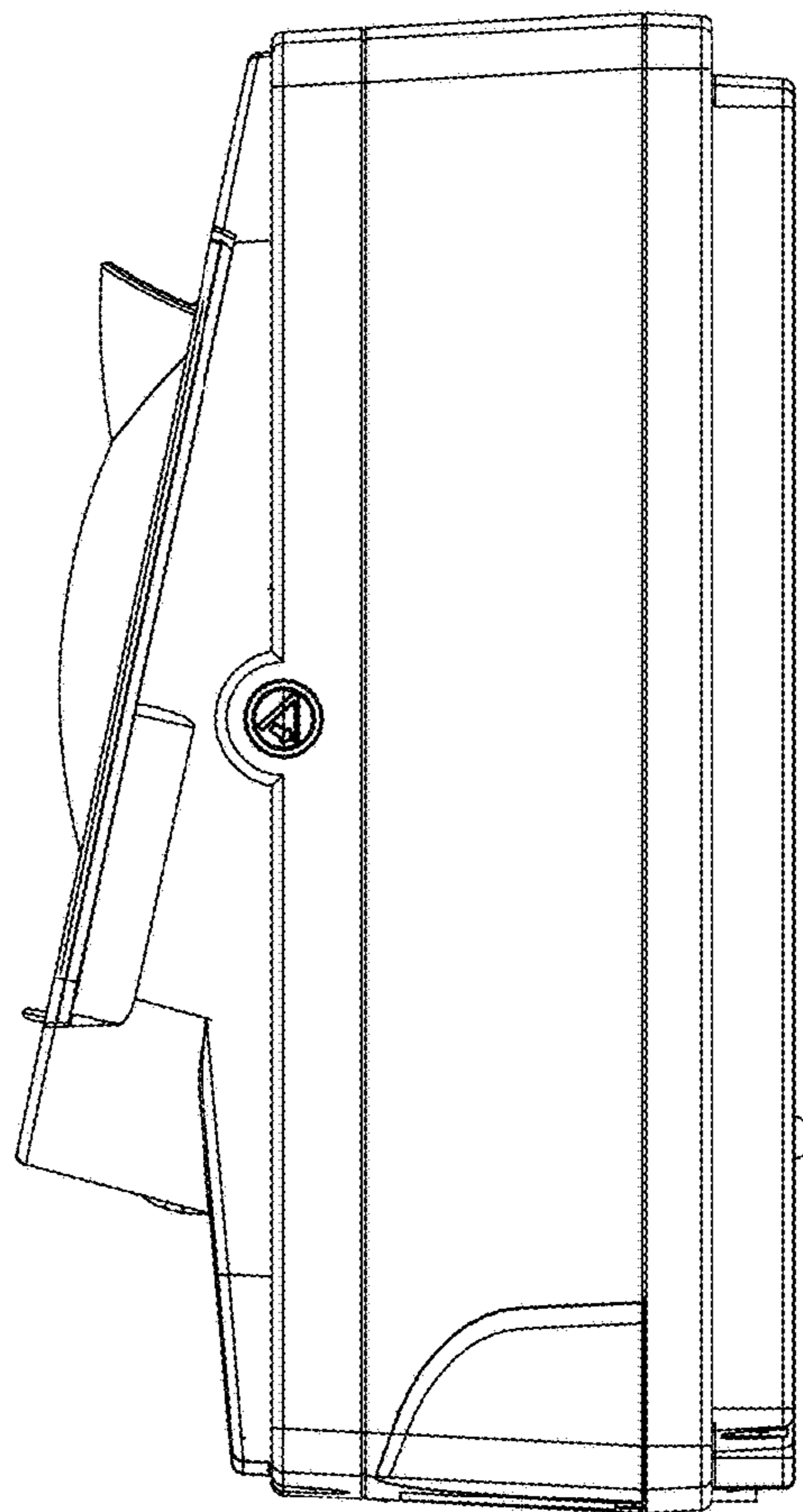


FIG. 18

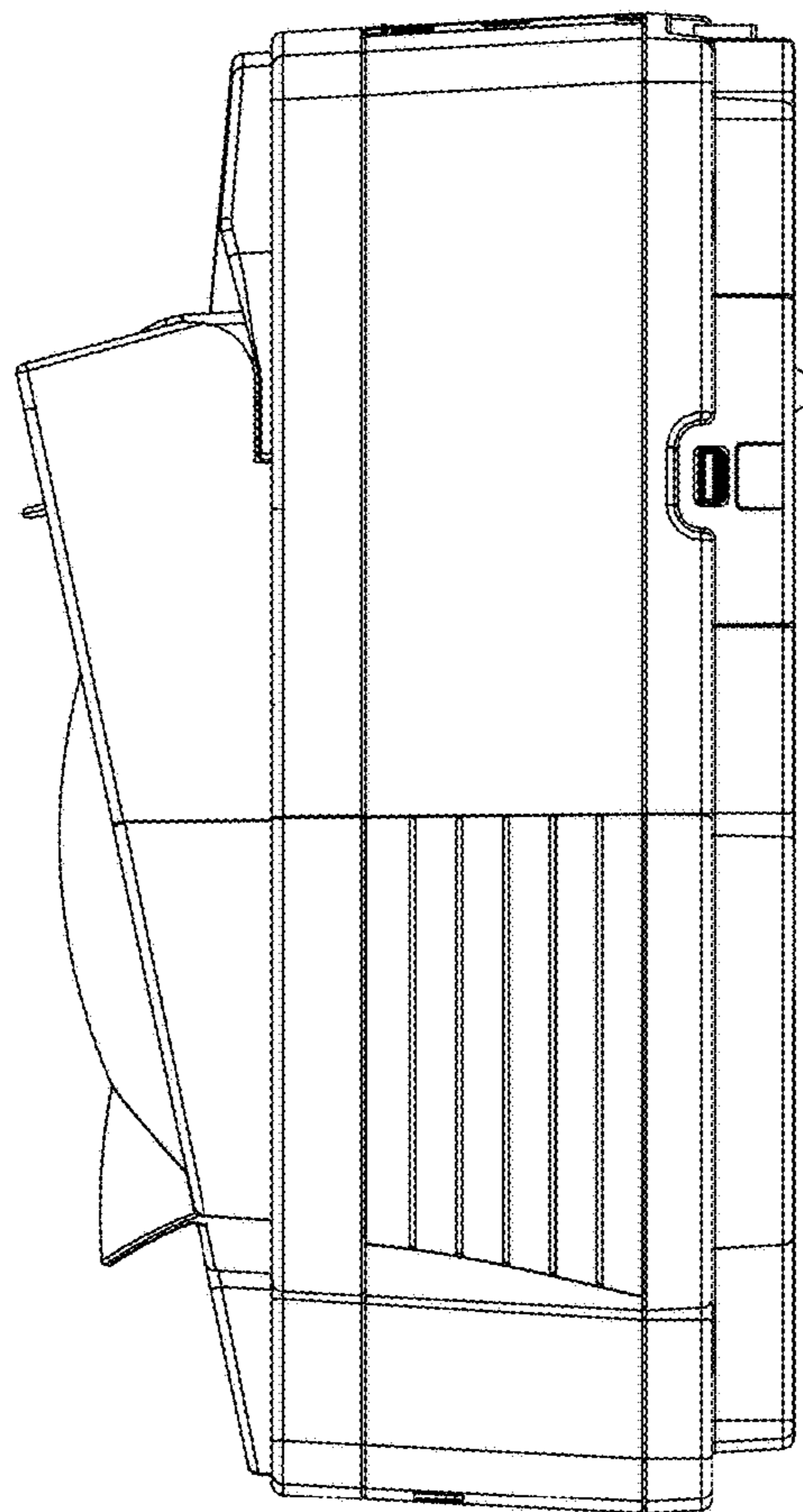


FIG. 19

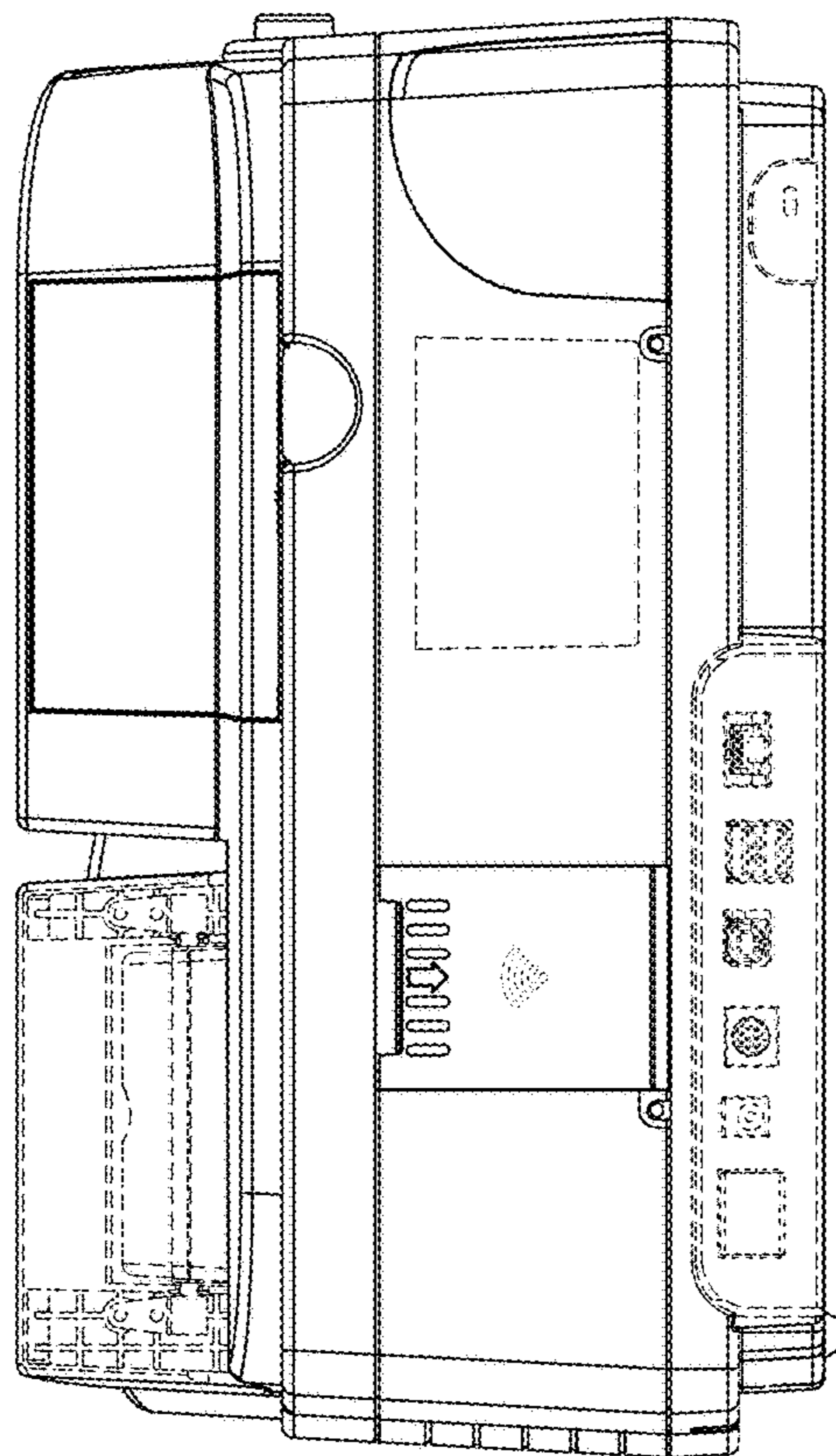


FIG. 20

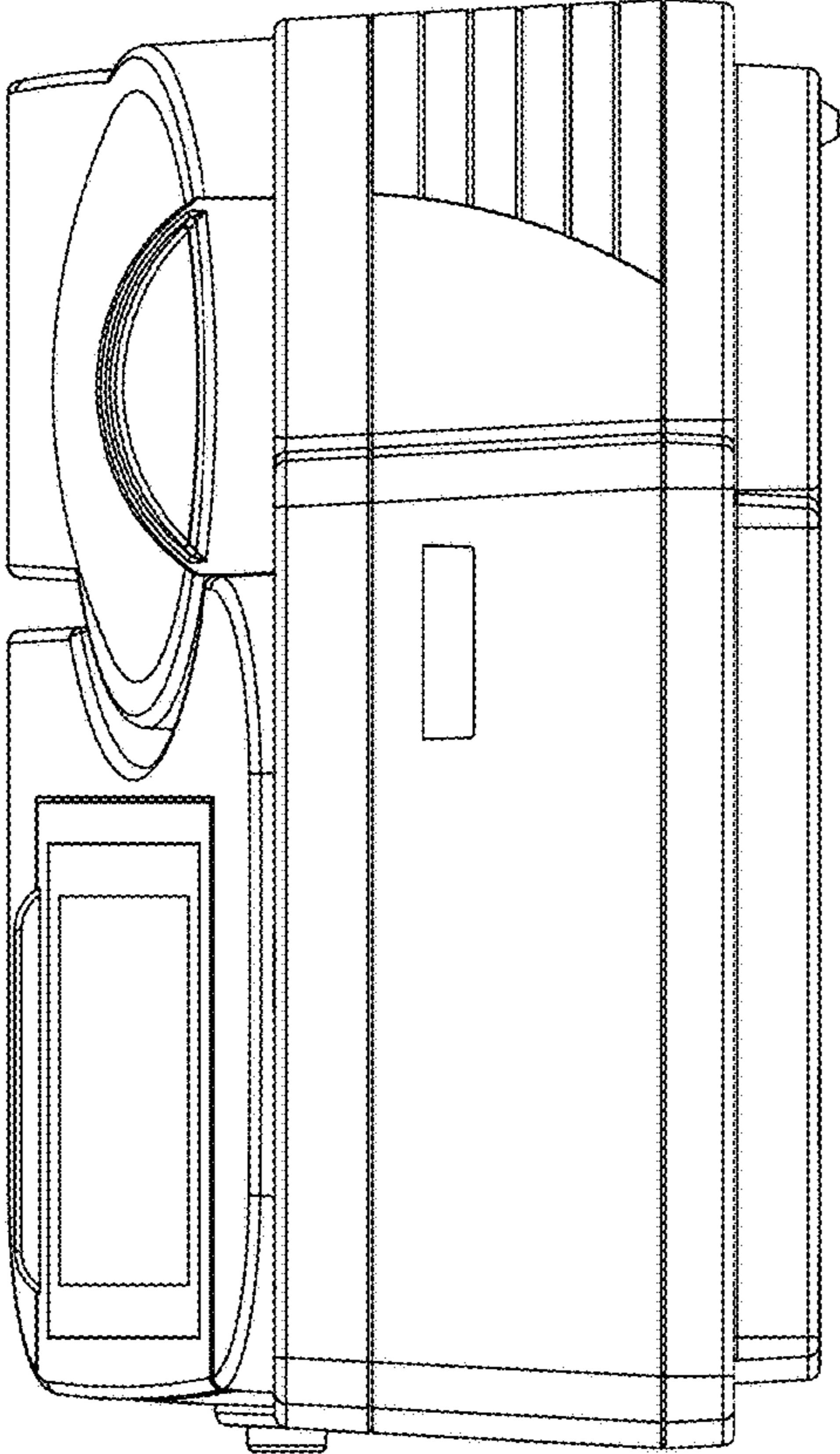


FIG. 21

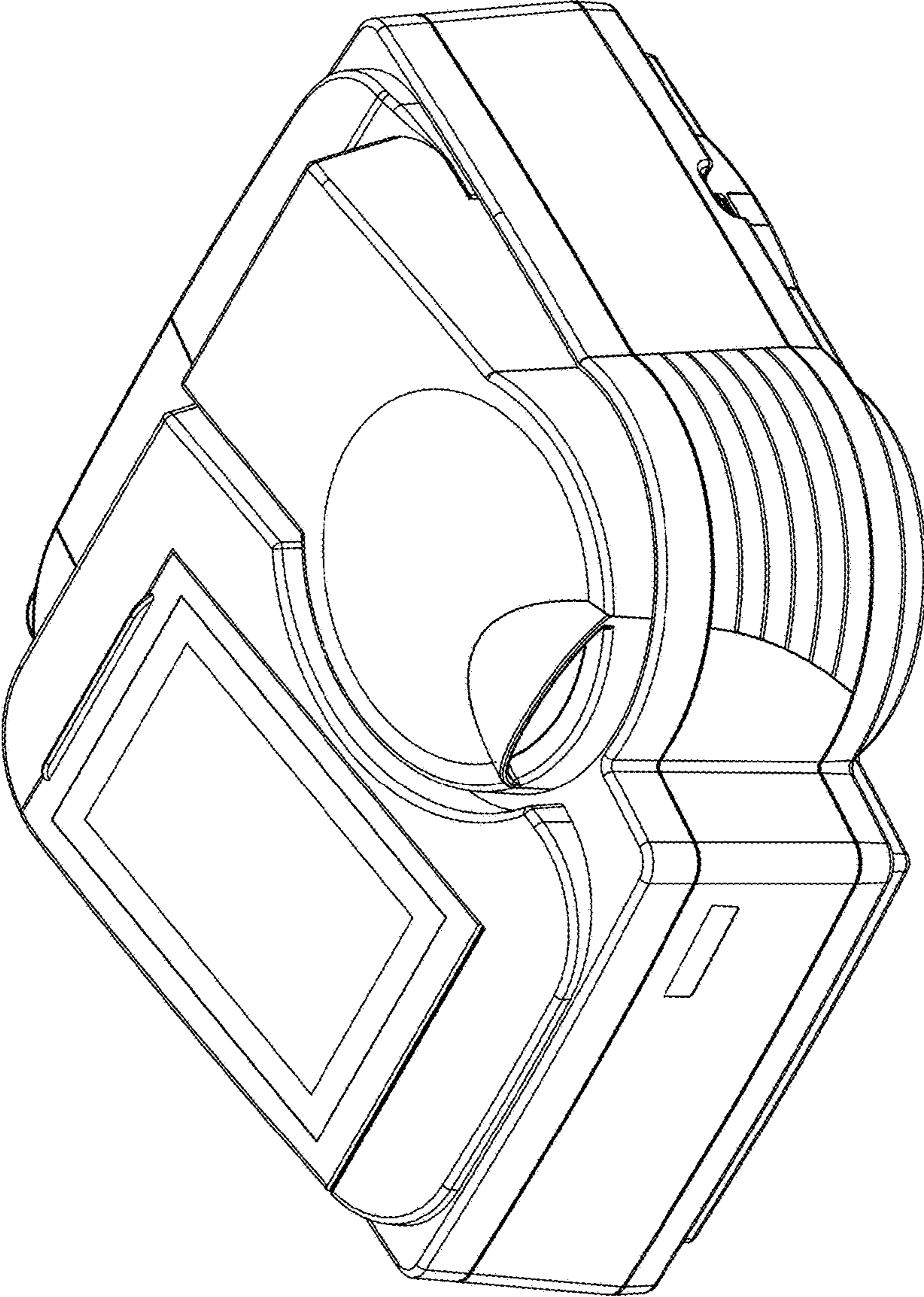


FIG. 22

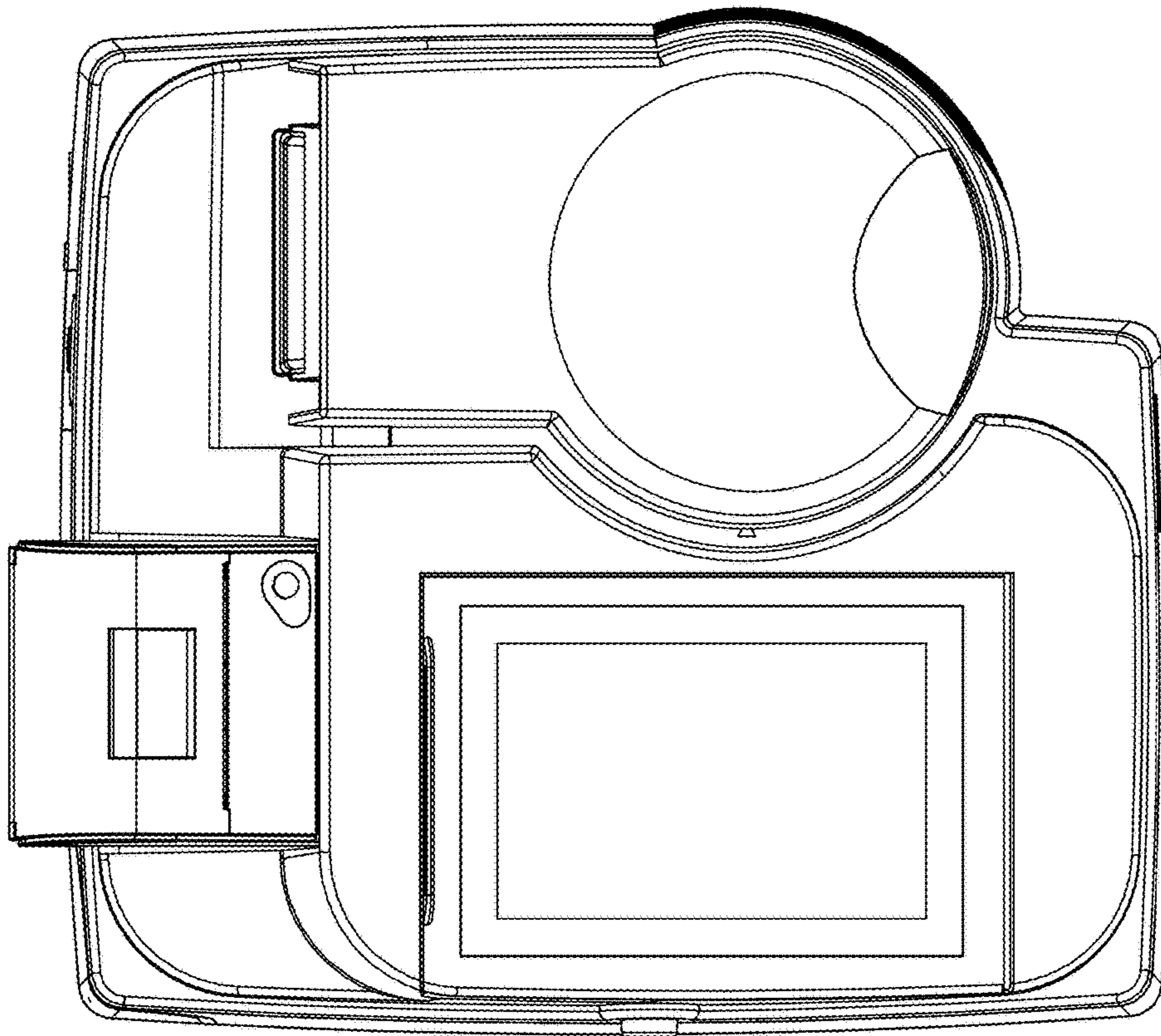


FIG. 23

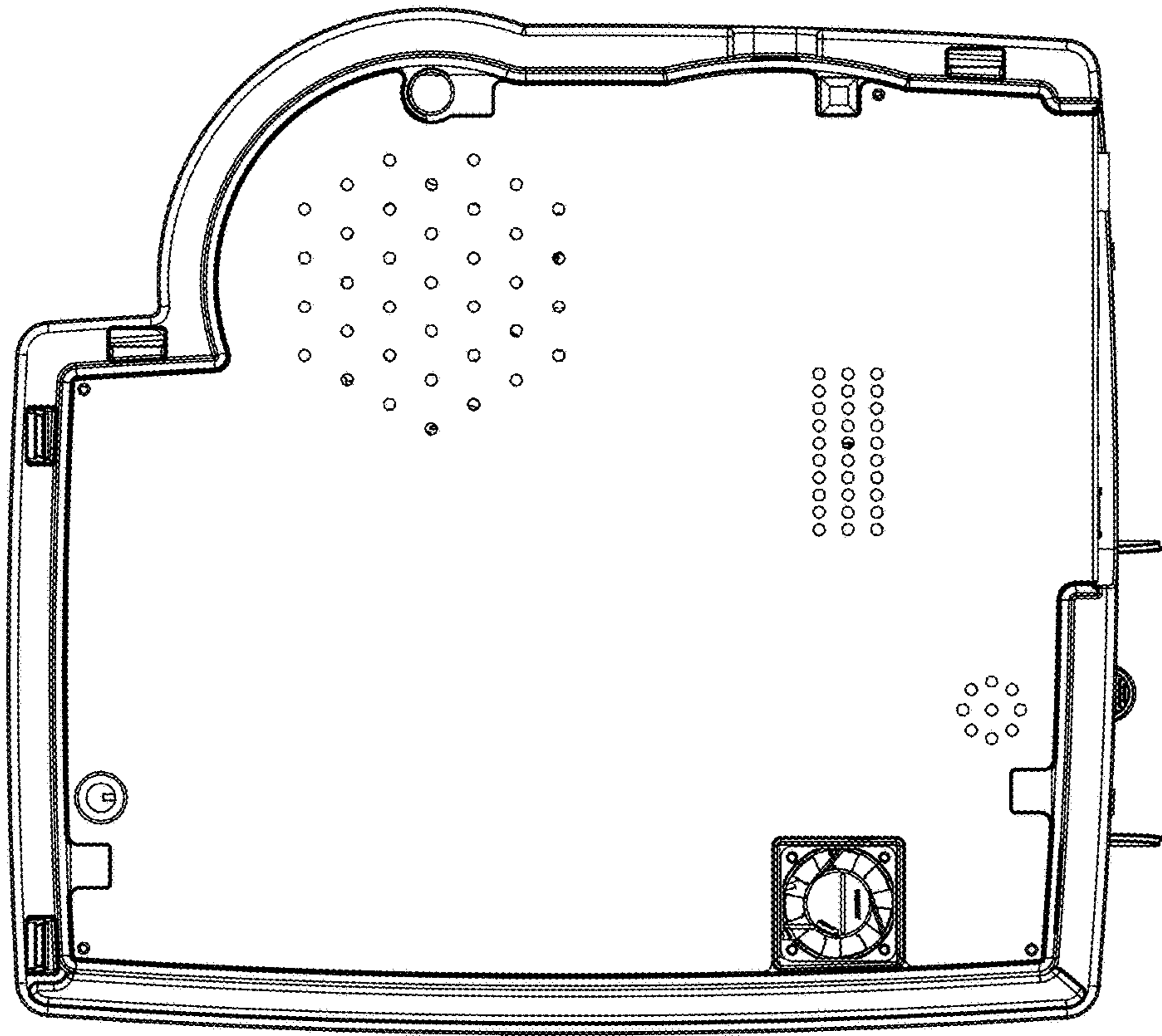


FIG. 24

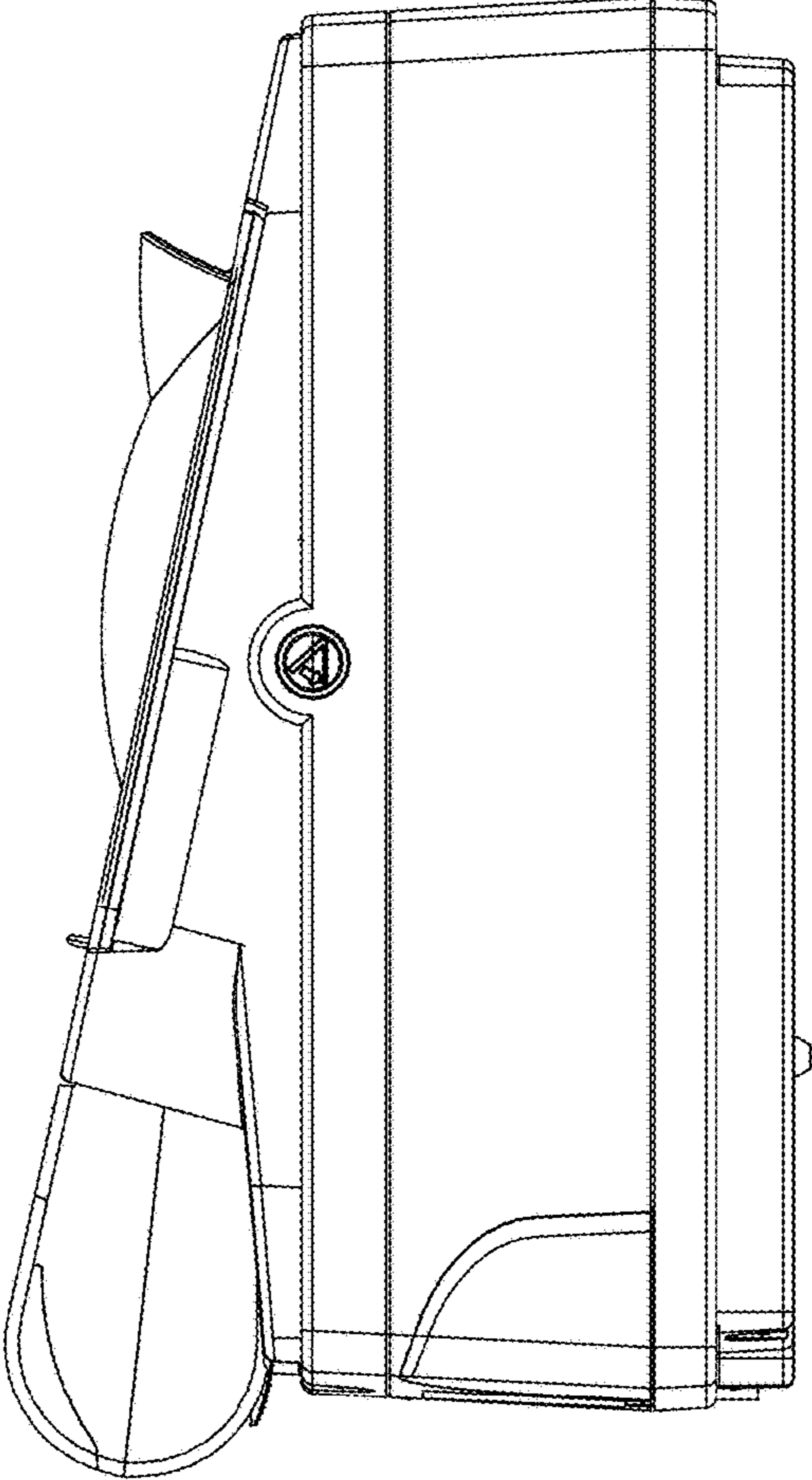


FIG. 25

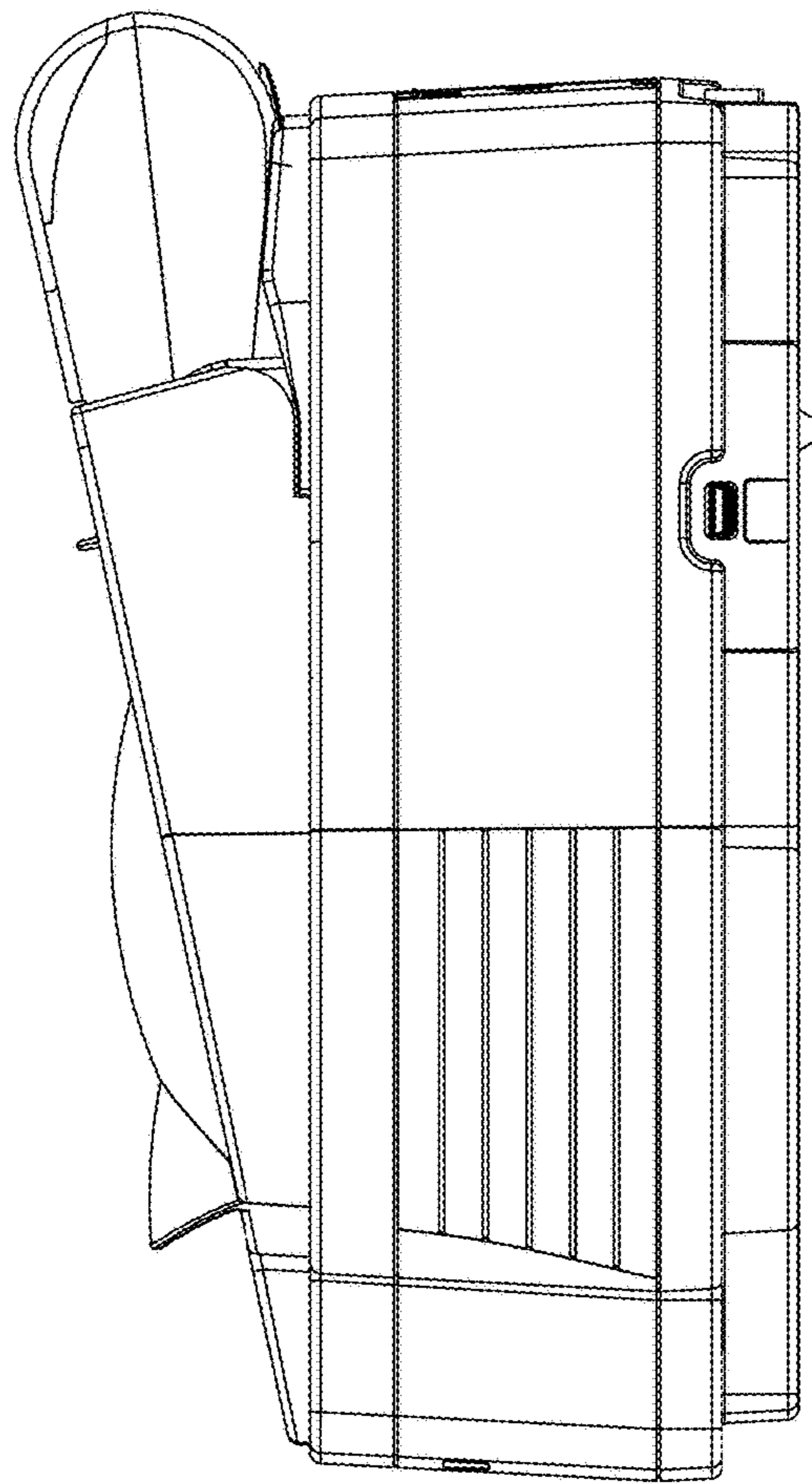


FIG. 26

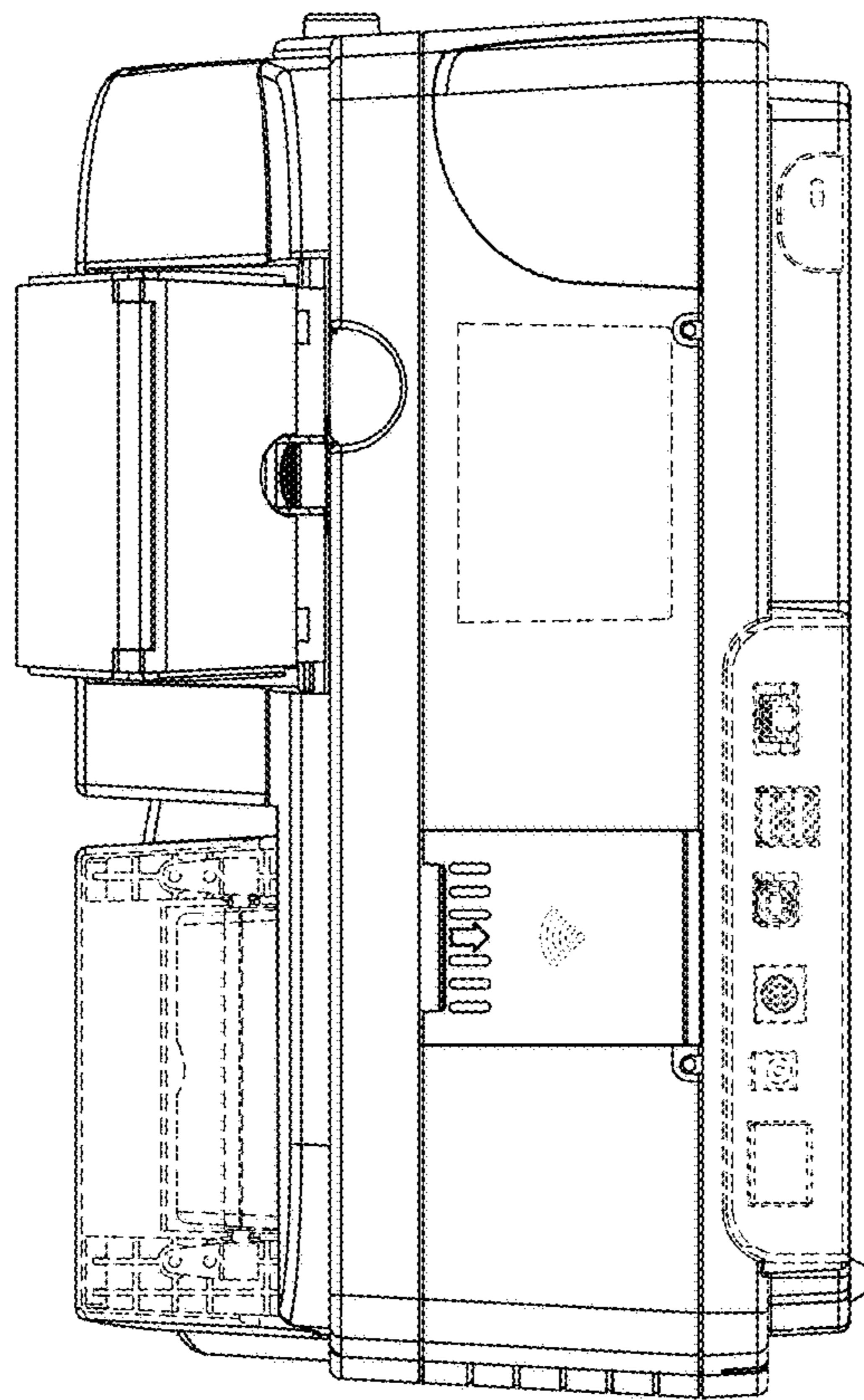


FIG. 27

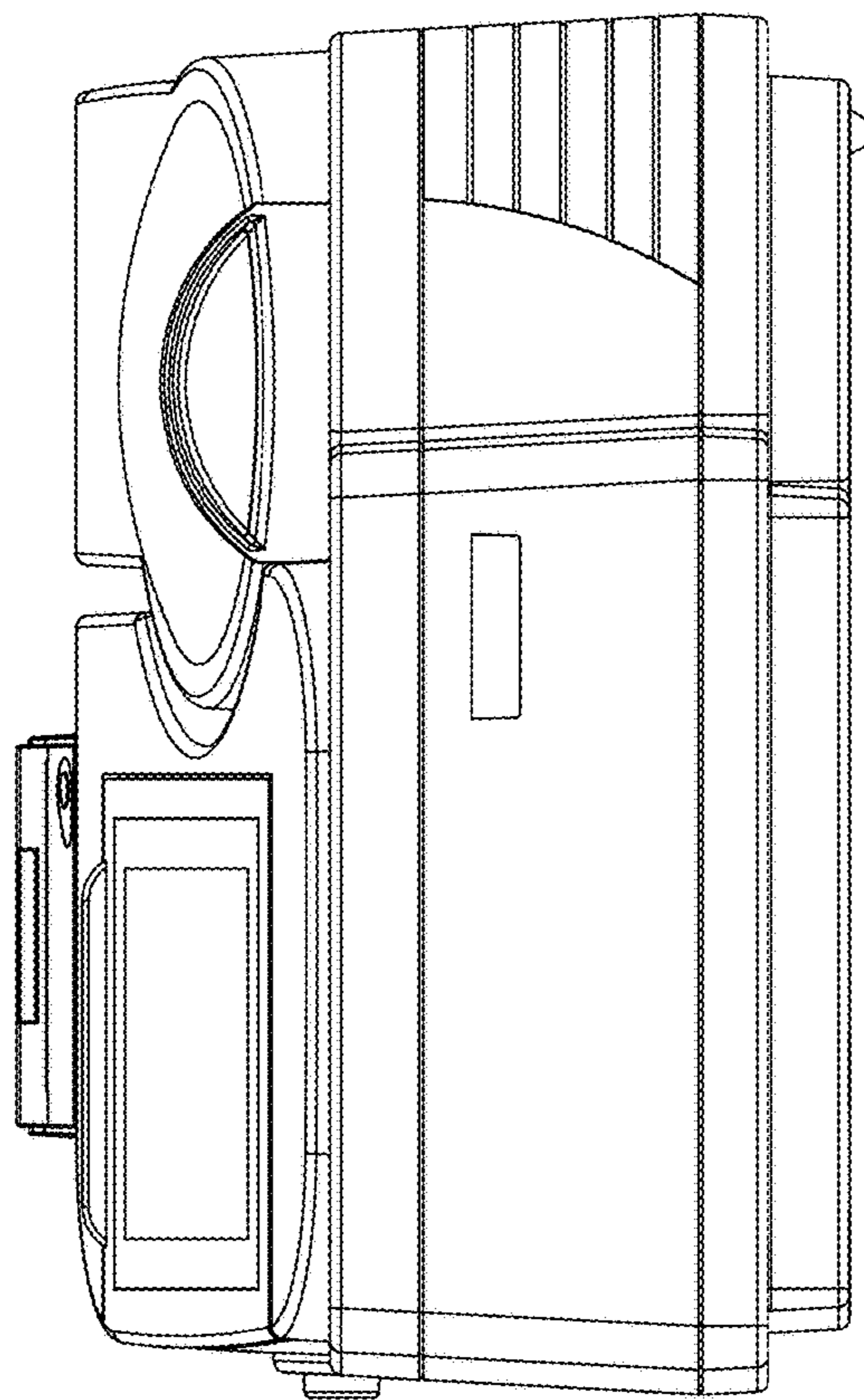


FIG. 28

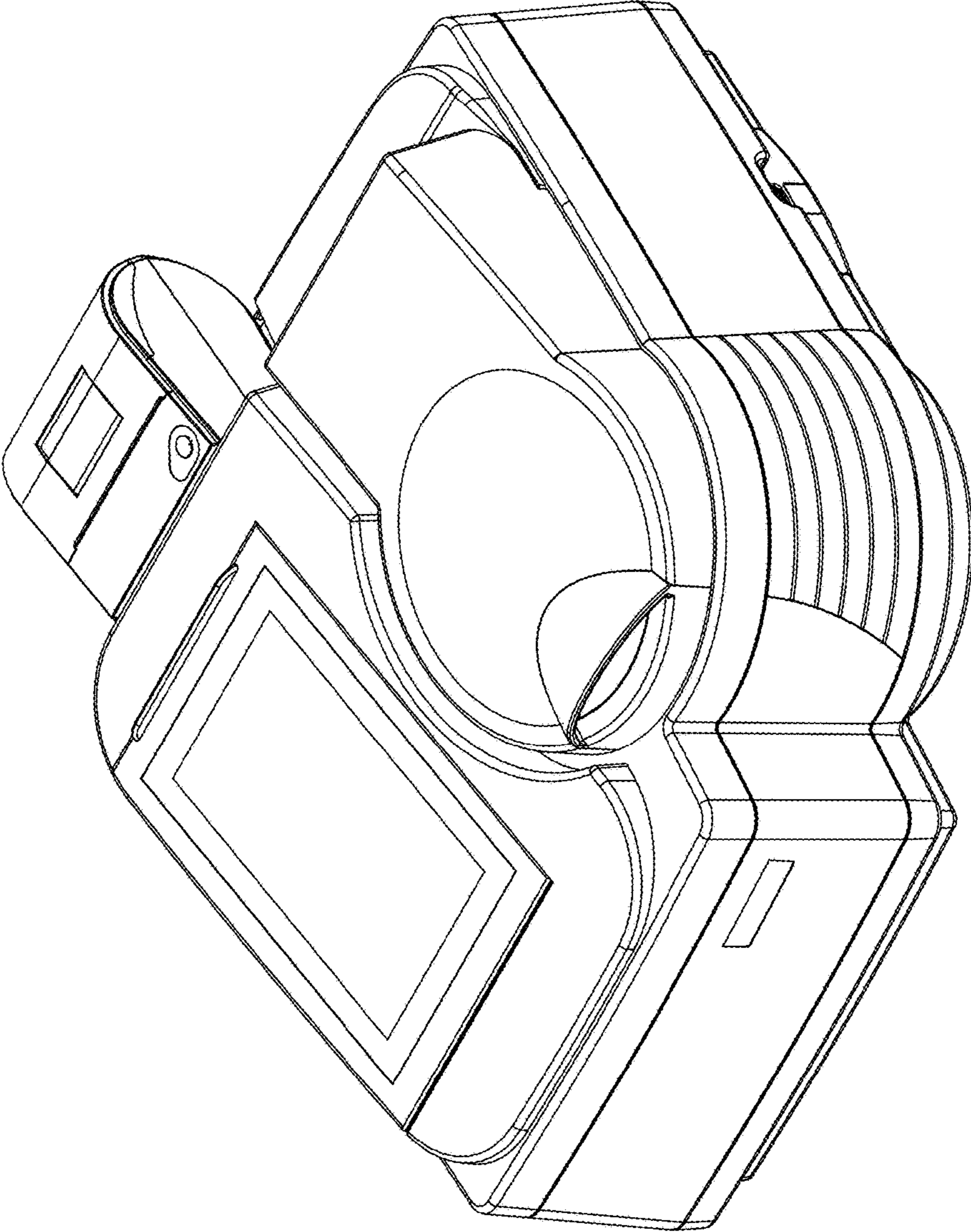


FIG. 29

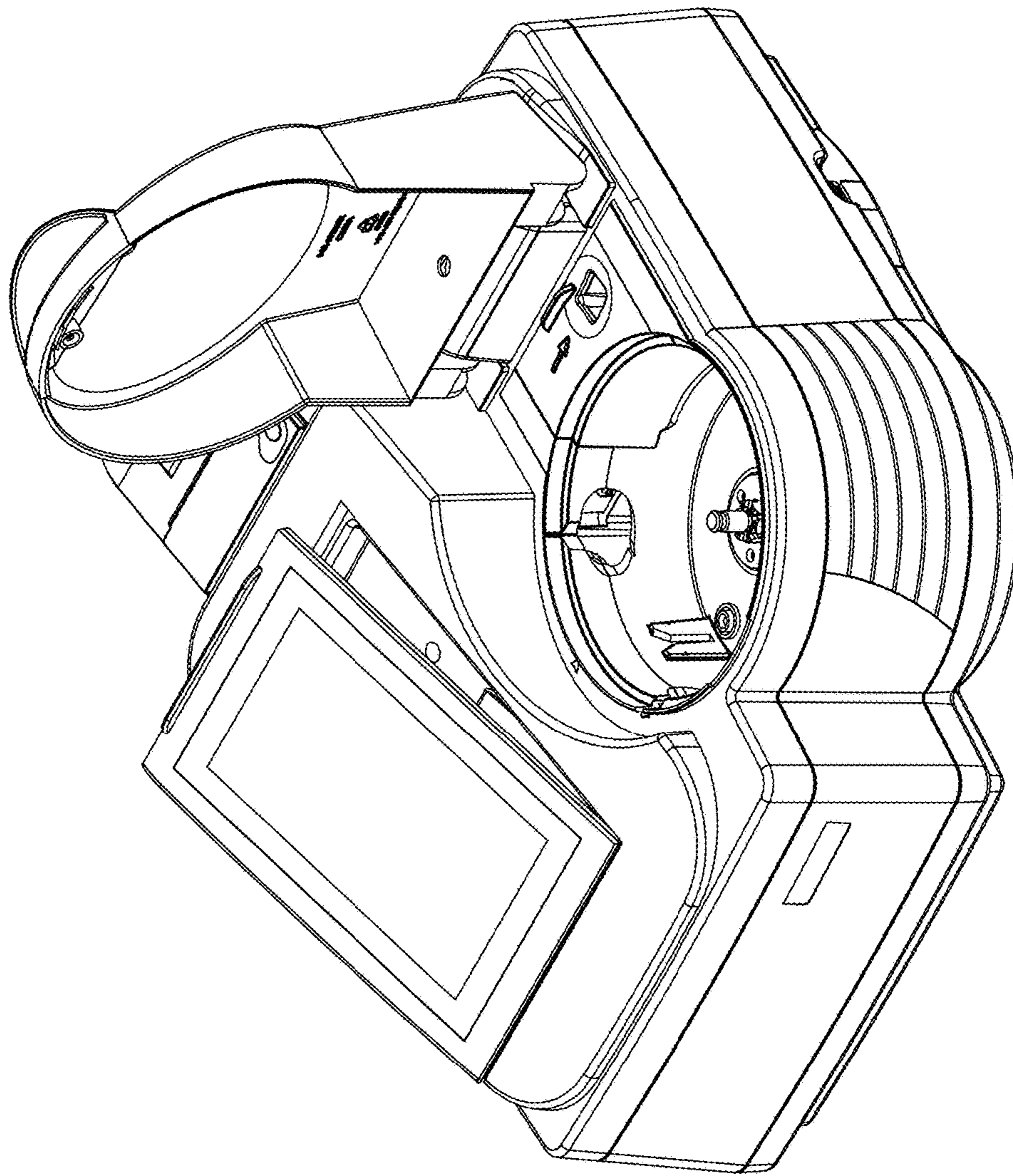


FIG. 30