



US00D864769S

(12) **United States Design Patent** (10) **Patent No.:** **US D864,769 S**
Park (45) **Date of Patent:** **** Oct. 29, 2019**

(54) **LENGTH MEASURING APPARATUS**

(71) Applicant: **BAGEL LABS CO., LTD.,**
Gyeonggi-Do (KR)

(72) Inventor: **Jun Young Park, Yongin-si (KR)**

(**) Term: **15 Years**

(21) Appl. No.: **35/505,932**

(22) Filed: **Sep. 11, 2018**

(80) **Hague Agreement Data**

Int. Filing Date: **Sep. 11, 2018**
Int. Reg. No.: **DM/103267**
Int. Reg. Date: **Sep. 11, 2018**
Int. Reg. Pub. Date: **Oct. 26, 2018**

(30) **Foreign Application Priority Data**

Apr. 6, 2018 (KR) 30-2018-0016466

(51) **LOC (12) Cl.** **10-04**

(52) **U.S. Cl.**
USPC **D10/72**
CPC **G01B 7/026 (2013.01)**

(58) **Field of Classification Search**
USPC D10/71, 72
CPC G01B 7/026; G01B 3/12; G01B 3/1061
See application file for complete search history.

(56) **References Cited**

U.S. PATENT DOCUMENTS

D412,858 S * 8/1999 Staton D10/72
D432,034 S * 10/2000 Heimerle D10/72
RE38,032 E * 3/2003 Butwin B43L 7/10
33/460
D504,835 S * 5/2005 Snider D10/72
D522,889 S * 6/2006 Wallace D10/72
D560,522 S * 1/2008 Farnworth D10/72
D565,441 S * 4/2008 Critelli D10/74

D565,442 S * 4/2008 Critelli D10/74
D579,359 S * 10/2008 Critelli D10/72
D582,810 S * 12/2008 Cook D10/72
D590,283 S * 4/2009 Critelli D10/74
D590,284 S * 4/2009 Critelli D10/74
D599,229 S * 9/2009 Sun D10/72
D611,849 S * 3/2010 Cook D10/72
D613,629 S * 4/2010 Suzuki D10/72
D614,516 S * 4/2010 Capra D10/72
D617,224 S * 6/2010 Delneo D10/74
D653,974 S * 2/2012 Capra D10/72
D660,735 S * 5/2012 Petrillo D10/72
D668,565 S * 10/2012 Huang D10/72
D680,888 S * 4/2013 Ranieri D10/72
D716,676 S * 11/2014 Tang D10/72
D726,043 S * 4/2015 Cook D10/72
D733,597 S * 7/2015 Hyma D10/72
D756,251 S * 5/2016 Ranieri D10/72
D764,325 S * 8/2016 Mathews, Jr. D10/72
D782,350 S * 3/2017 Bridges D10/72
D785,476 S * 5/2017 Graykowski D10/72
D803,711 S * 11/2017 Jost D10/72
D839,110 S * 1/2019 Anderson D10/74
D850,825 S * 6/2019 Gutchess D6/672
D853,867 S * 7/2019 Park D10/72
D853,868 S * 7/2019 Park D10/72
D856,175 S * 8/2019 Anderson D10/72

(Continued)

Primary Examiner — Richard E Chilcot

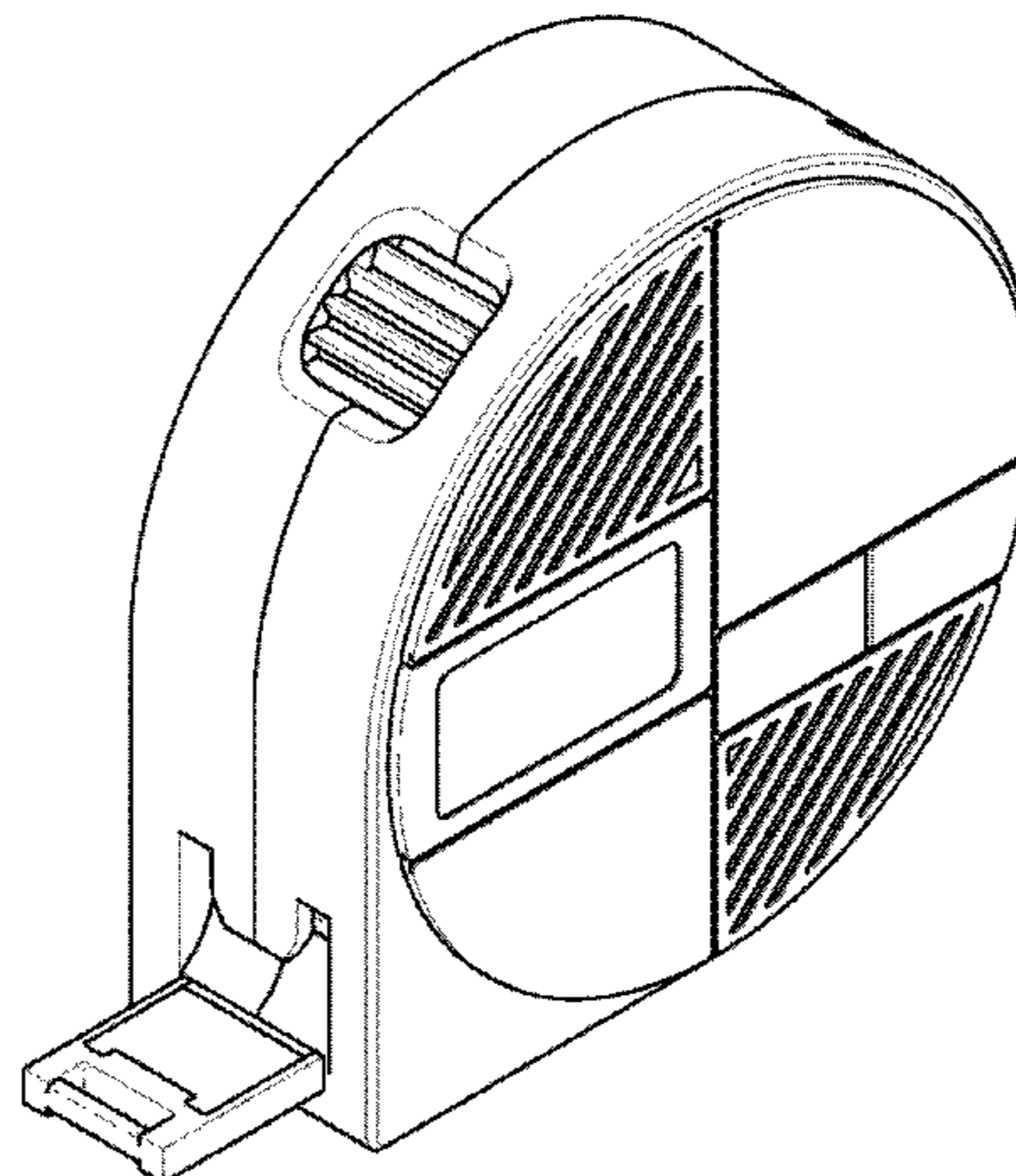
(57) **CLAIM**

The ornamental design for a length measuring apparatus, as shown and described.

DESCRIPTION

- 1. Length measuring apparatus
- 1.1 : Perspective
- 1.2 : Front
- 1.3 : Back
- 1.4 : Left
- 1.5 : Right
- 1.6 : Top
- 1.7 : Bottom

1 Claim, 7 Drawing Sheets



(56)

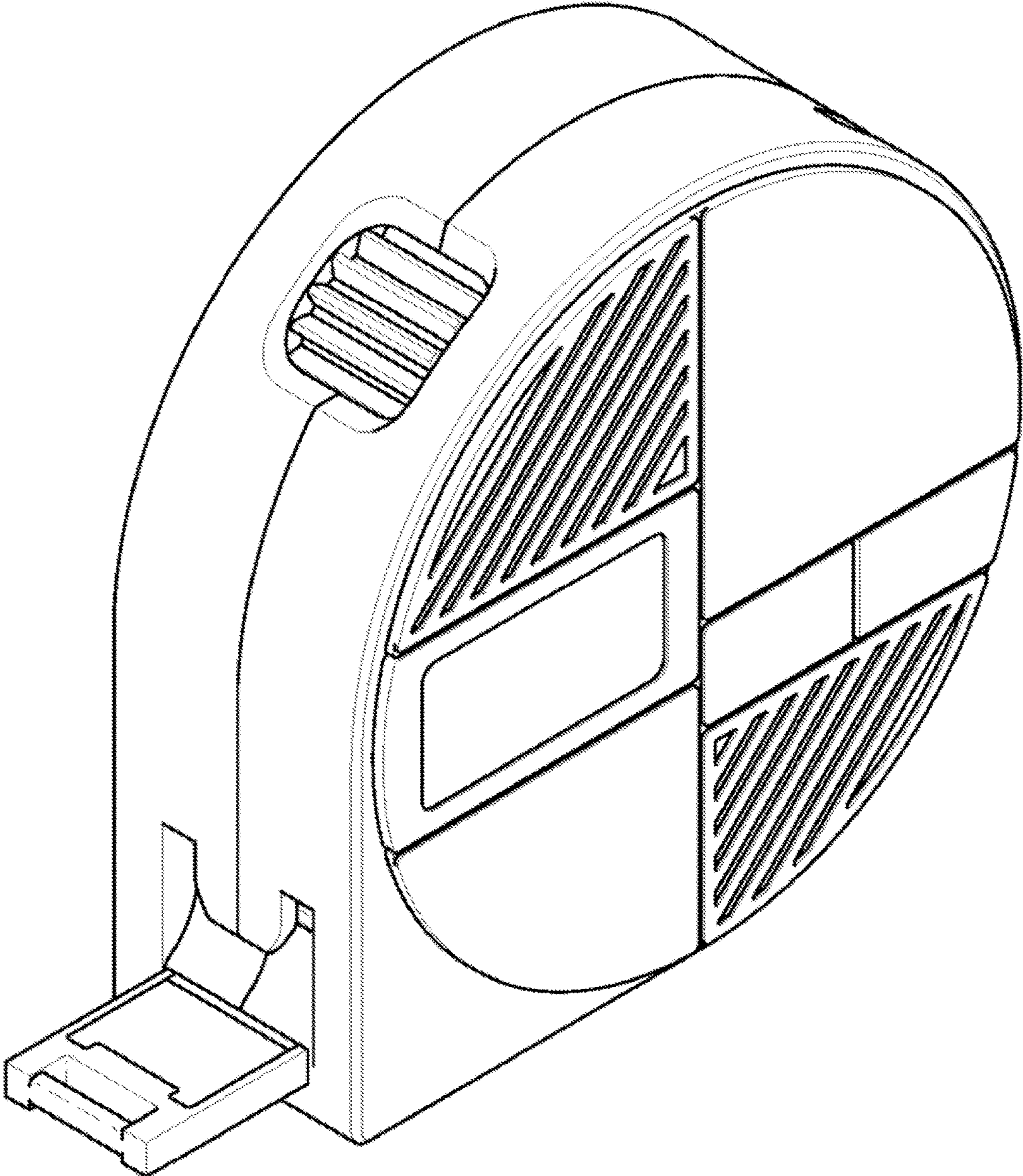
References Cited

U.S. PATENT DOCUMENTS

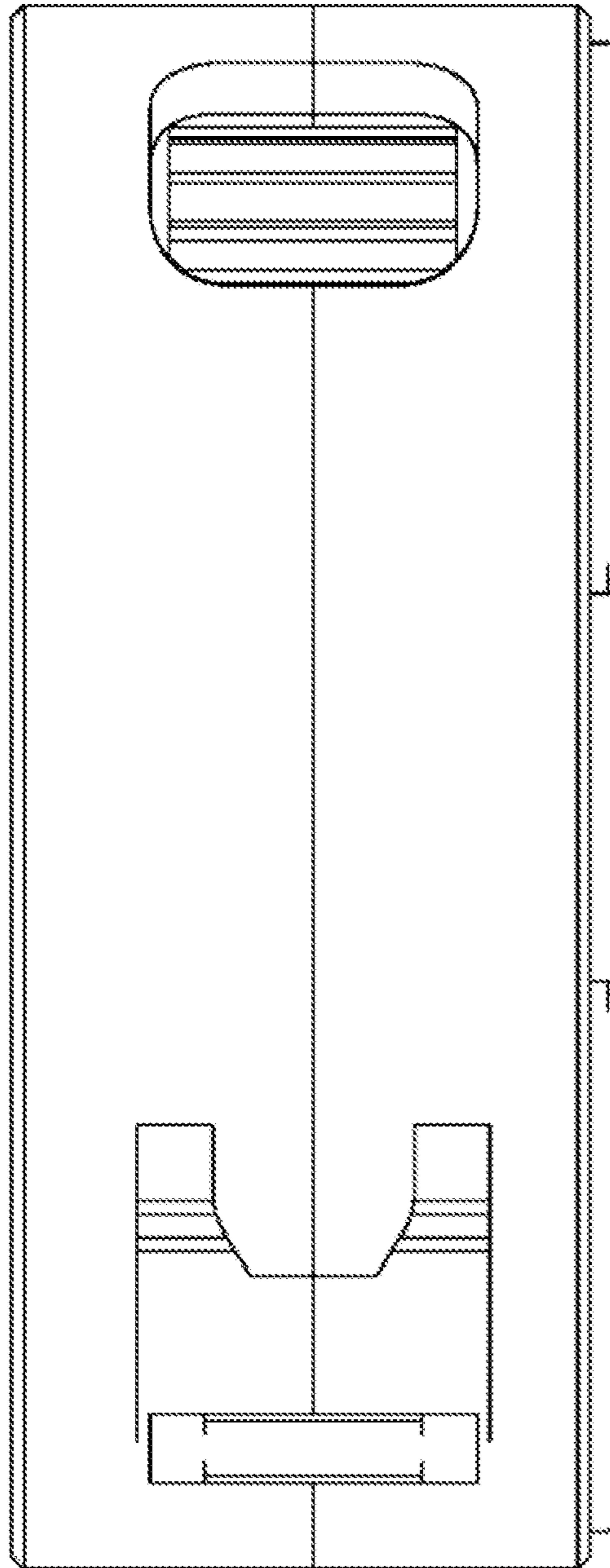
2018/0120080 A1* 5/2018 Park G01B 7/026

* cited by examiner

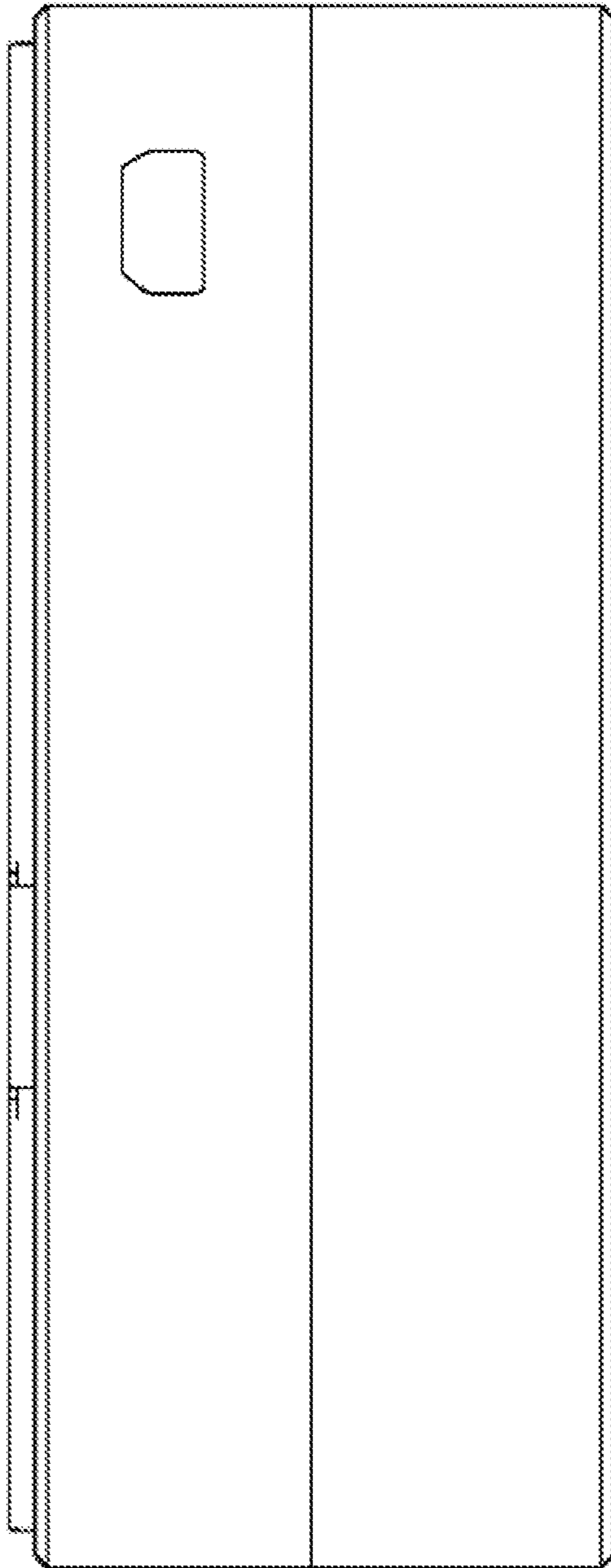
1.1



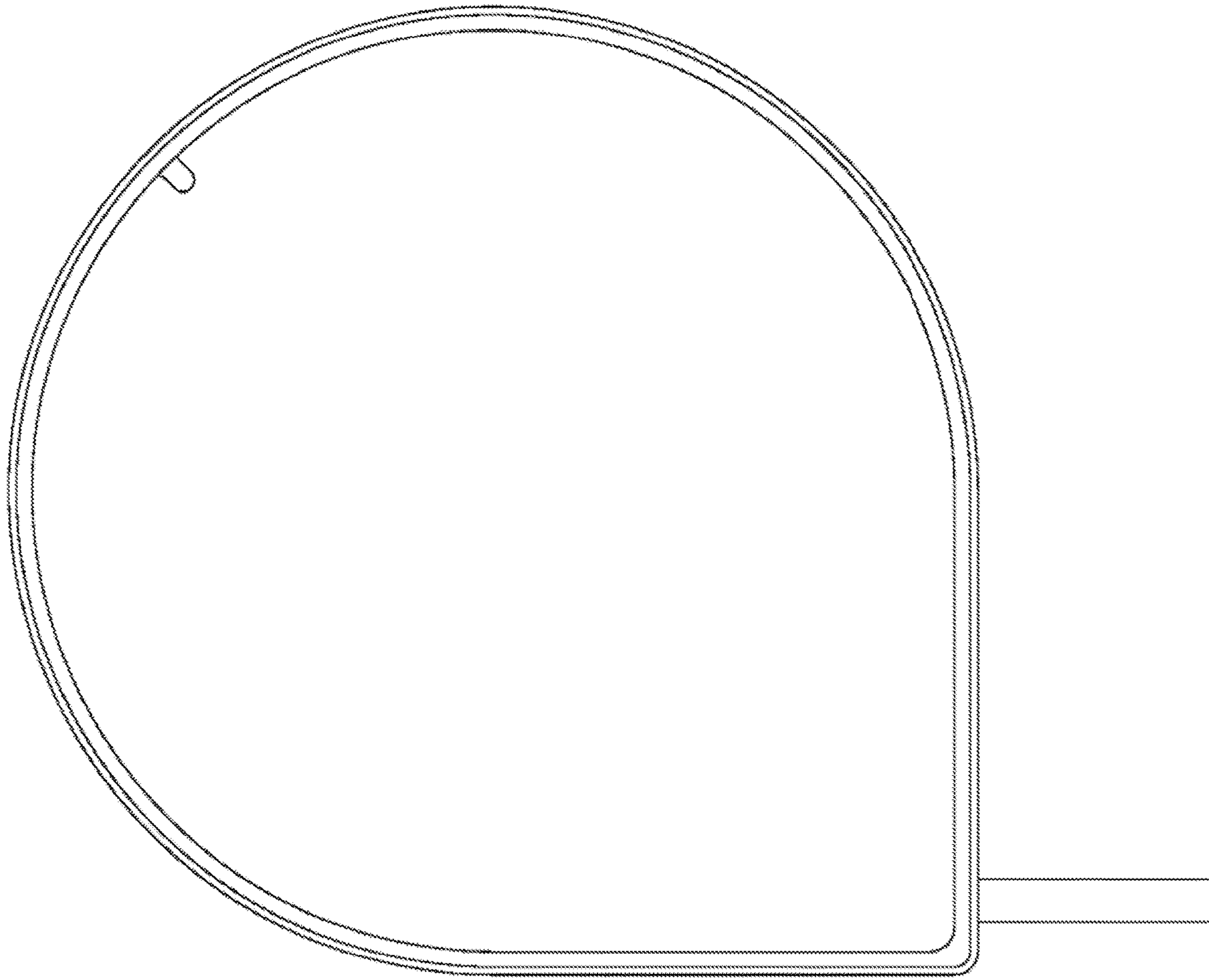
1.2



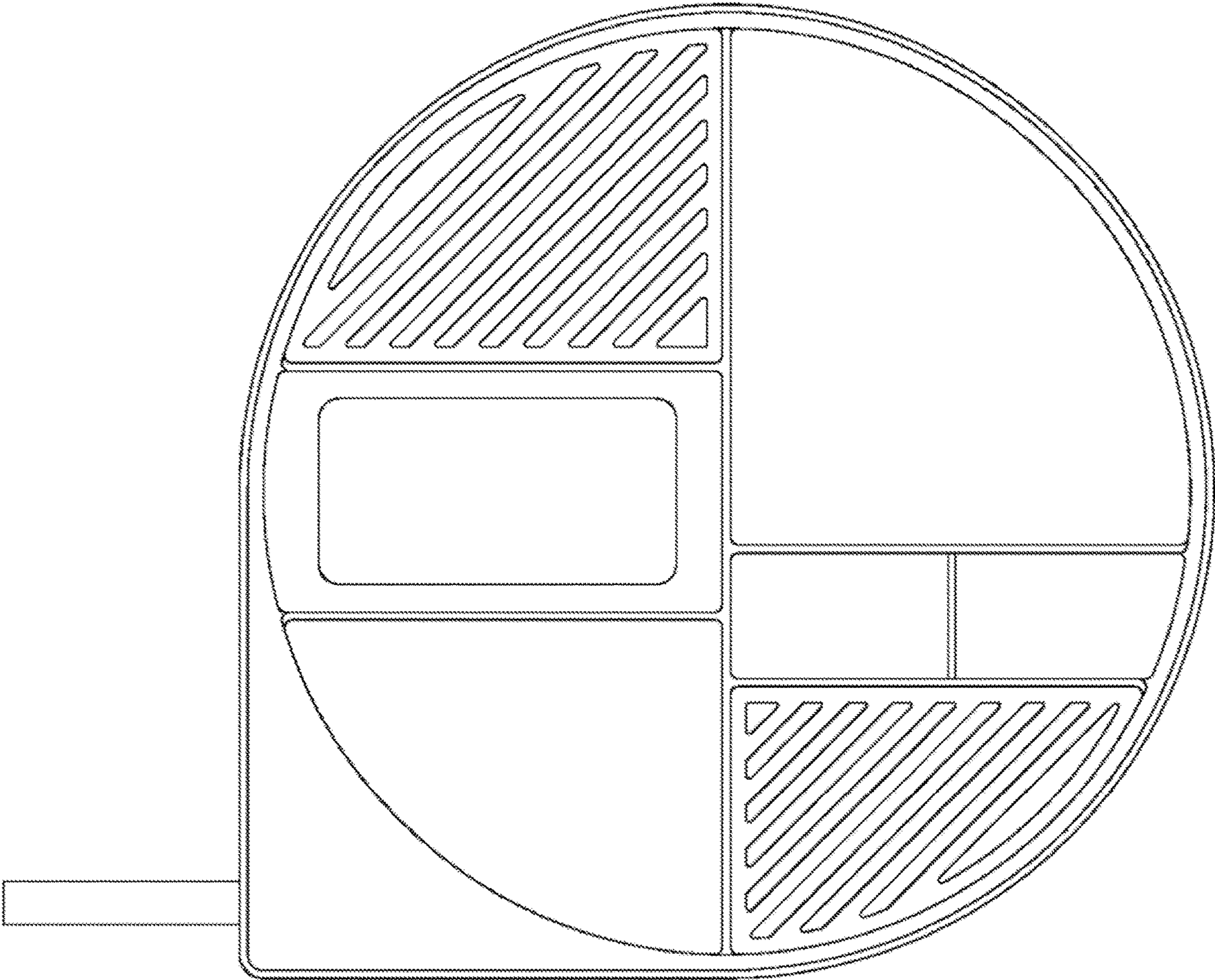
1.3



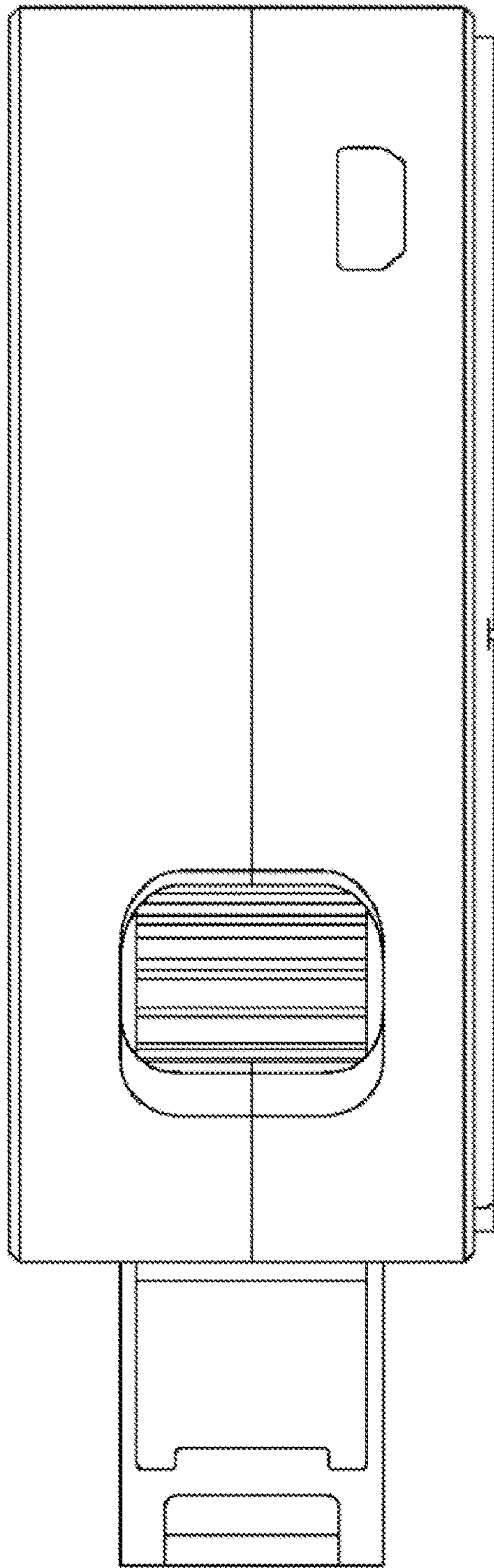
1.4



1.5



1.6



1.7

