



US00D864763S

(12) **United States Design Patent** (10) **Patent No.:** **US D864,763 S**
Muller (45) **Date of Patent:** **** Oct. 29, 2019**

(54) **WATCH**

(71) Applicant: **Montblanc-Simplo GmbH**, Hamburg (DE)

(72) Inventor: **Caroline Muller**, Neuchatel (CH)

(73) Assignee: **Montblanc-Simplo GmbH**, Hamburg (DE)

(**) Term: **15 Years**

(21) Appl. No.: **29/622,373**

(22) Filed: **Oct. 17, 2017**

(51) **LOC (12) Cl.** **10-02**

(52) **U.S. Cl.**
USPC **D10/39**

(58) **Field of Classification Search**

USPC D10/1-2, 10, 30-33, 36-39, 98-99,
D10/122-124, 126-128, 132; D11/3;
D14/344; D24/167, 186
CPC G04C 19/00; G04C 19/02; G04B 19/00;
G04B 19/025; G04B 19/08; G04B
19/048; G04B 19/04; G04B 19/046;
G04B 19/06; G04B 19/065; G04B
19/082; G04B 19/085; G04B 19/087;
G04B 19/10; G04B 19/103; G04B
19/106; G04B 47/042; G04B 19/12;
G04B 19/18; G04B 19/223; G04B 19/23;
G04B 19/24; G04B 19/241; G04B
19/243; G04D 3/04
See application file for complete search history.

(56) **References Cited**

U.S. PATENT DOCUMENTS

D166,952 S * 6/1952 Clarke D10/10
D251,414 S * 3/1979 Rosenthal D10/10
5,237,544 A * 8/1993 Sase G04G 9/0076
368/21
D357,421 S * 4/1995 Tsukada D10/10
D447,428 S * 9/2001 Modolo D10/39

D547,211 S * 7/2007 Dias D10/39
D559,124 S * 1/2008 Modolo D10/32
D608,223 S * 1/2010 Salanitro D10/38
D628,506 S * 12/2010 Plange D10/124
D651,099 S * 12/2011 Ruffieux D10/38
D659,044 S * 5/2012 Kauffmann D10/126
D667,316 S * 9/2012 Tonohori D10/32
D705,670 S * 5/2014 Emmenegger D10/32
D750,505 S * 3/2016 Cerrato D10/30

(Continued)

OTHER PUBLICATIONS

Montblanc Heritage Dual Time VASco Da Gama | posted at deployant.com Oct. 2015 © 2018 Deployant PTE LTD [online][site visited Sep. 13, 2018]. Available from internet: <<https://deployant.com/hands-on-with-the-montblanc-heritage-chronometrie-dual-time-vasco-da-gama-limited-edition-238/>> (Year: 2015).*

(Continued)

Primary Examiner — Karen E Kearney
Assistant Examiner — Katherine Glennon
(74) *Attorney, Agent, or Firm* — Taft Stettinius & Hollister LLP

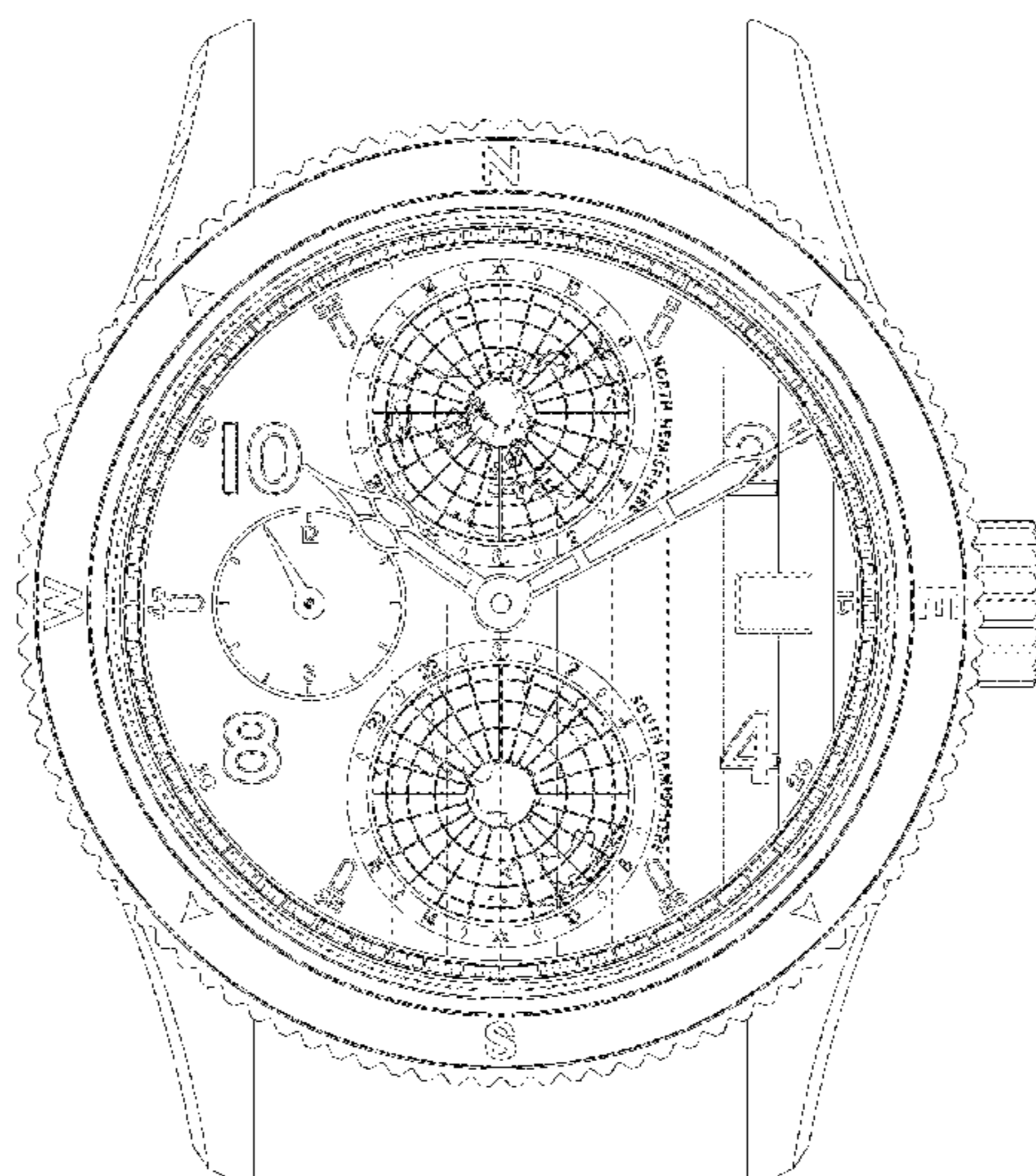
(57) **CLAIM**

The ornamental design for a watch, as shown and described.

DESCRIPTION

FIG. 1 is a front elevational view of a watch showing my new design;
FIG. 2 is a back elevational view thereof;
FIG. 3 is a right side elevational view thereof;
FIG. 4 is a left side elevational view thereof;
FIG. 5 is a bottom plan view thereof;
FIG. 6 is a top plan view thereof;
FIG. 7 is a front, right side perspective view thereof; and,
FIG. 8 is a back, left side perspective view thereof.
The broken lines in the drawing figures depict unclaimed subject matter that forms no part of the claimed design.

1 Claim, 8 Drawing Sheets



(56)

References Cited

U.S. PATENT DOCUMENTS

| | | | | | | |
|--------------|----|---|---------|-------------|-------|------------------------|
| D761,680 | S | * | 7/2016 | Plange | | D10/126 |
| D761,681 | S | * | 7/2016 | Engelbrecht | | D10/126 |
| D768,512 | S | * | 10/2016 | Ruffieux | | D10/32 |
| D795,118 | S | * | 8/2017 | Monachon | | D10/126 |
| D801,832 | S | * | 11/2017 | White | | D10/30 |
| D813,691 | S | * | 3/2018 | Plange | | D10/38 |
| D814,945 | S | * | 4/2018 | Pilot | | D10/38 |
| D815,547 | S | * | 4/2018 | Plange | | D10/30 |
| D815,548 | S | * | 4/2018 | Pilot | | D10/38 |
| D817,194 | S | * | 5/2018 | Monachon | | D10/39 |
| D820,692 | S | * | 6/2018 | Antifora | | D10/39 |
| D821,228 | S | * | 6/2018 | Antifora | | D10/38 |
| 2013/0201804 | A1 | * | 8/2013 | Bertrand | | G04B 19/283 368/281 |
| 2018/0103730 | A1 | * | 4/2018 | Fostinis | | A44C 5/14 |

OTHER PUBLICATIONS

Club Panerai bezel | posted at clubpanerai.com n.d. circa 2010 [online][site visited Sep. 13, 2018]. Available from internet: <<http://www.clubpanerai.com/index.asp?notizia=1417&codice=15>> (Year: 2010).*

Montblanc TimeWalker Chronograph | posted at timeandtidewatches.com Mar. 2017 © 2018 Time and Watches [online][site visited Sep. 13, 2018]. Available from internet: <<https://www.timeandwatches.com/2017/03/montblanc-timewalker-chronograph.html>> (Year: 2017).*

Montblanc 1858 Collection | posted at cronotempvscollectors.com Jan. 2018 [online][site visited Sep. 12, 2018]. Available from internet: <<https://cronotempvscollectors.com/2018/01/19/the-montblanc-1858-collection-capturing-the-spirit-of-mountain-exploration/>> (Year: 2018).*

* cited by examiner

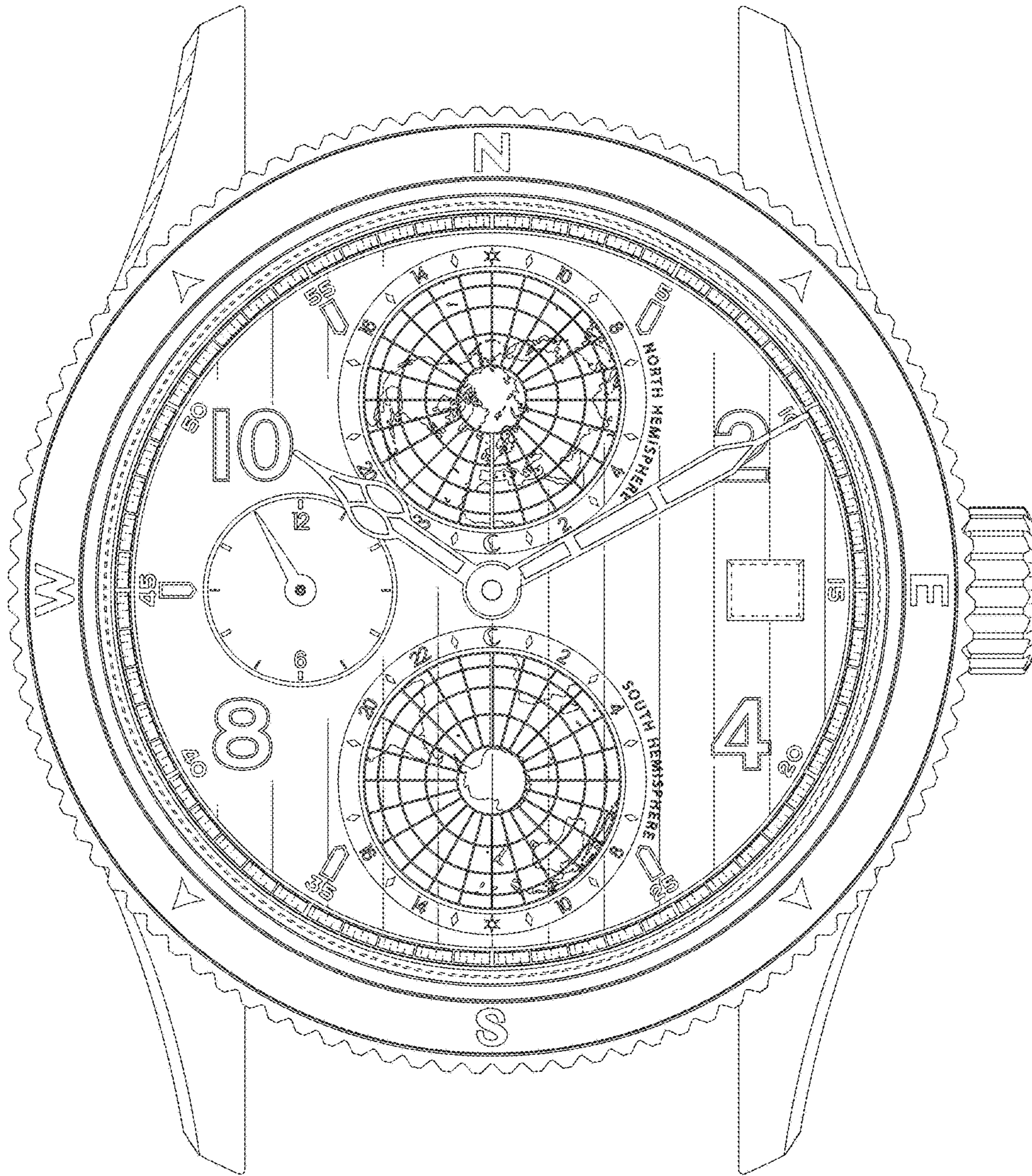


Fig. 1

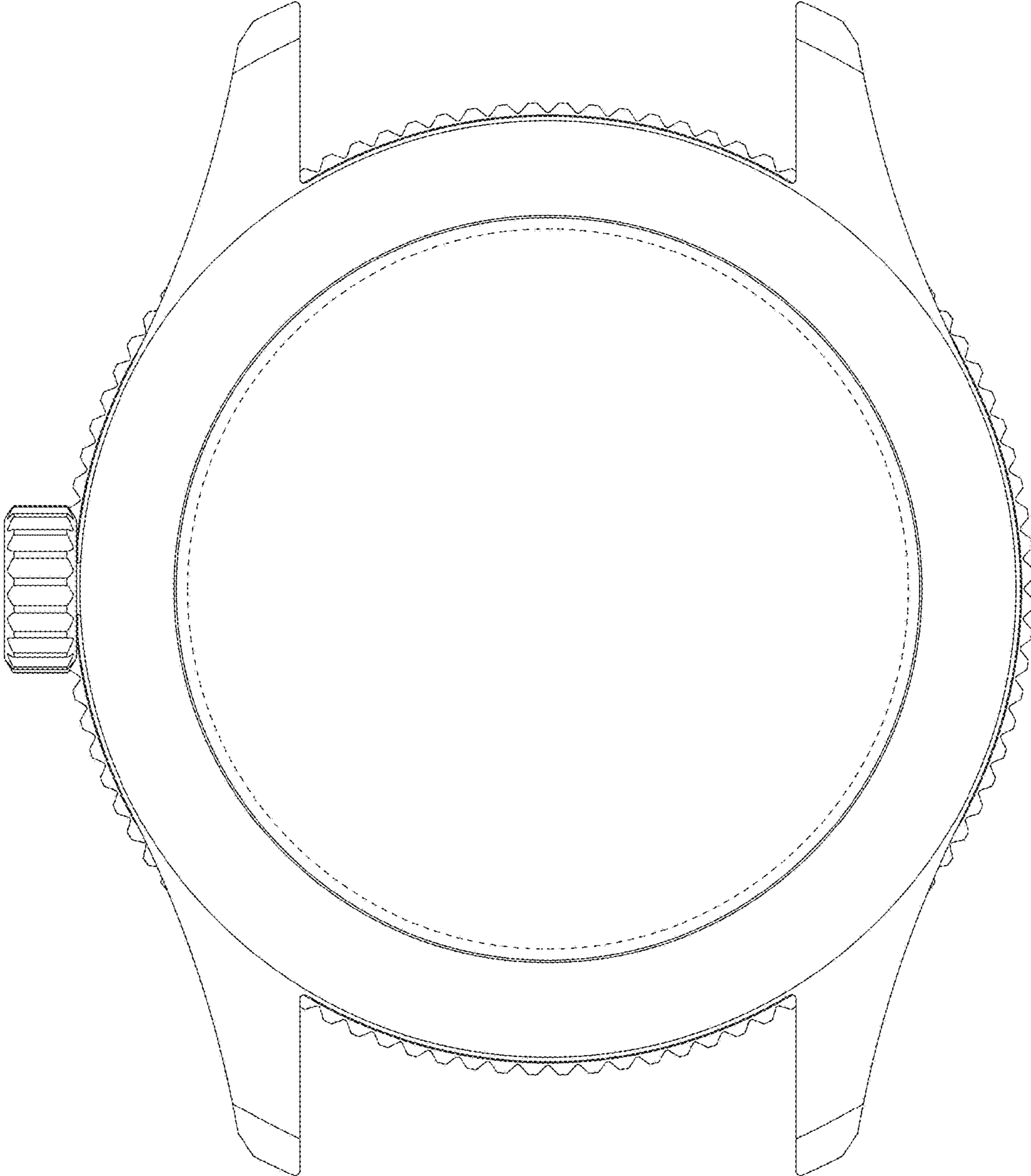


Fig. 2

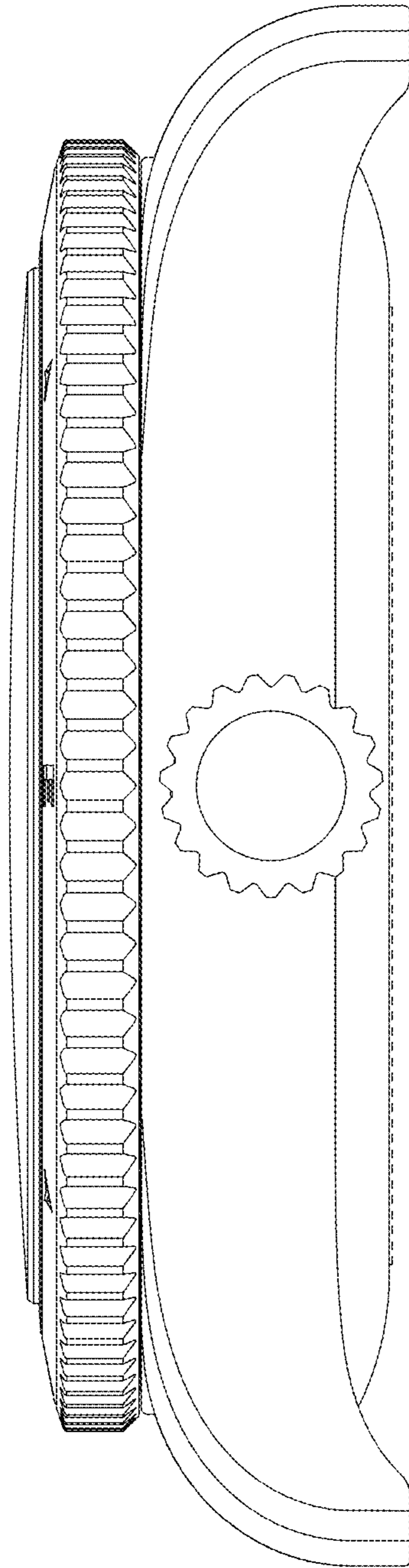


Fig. 3

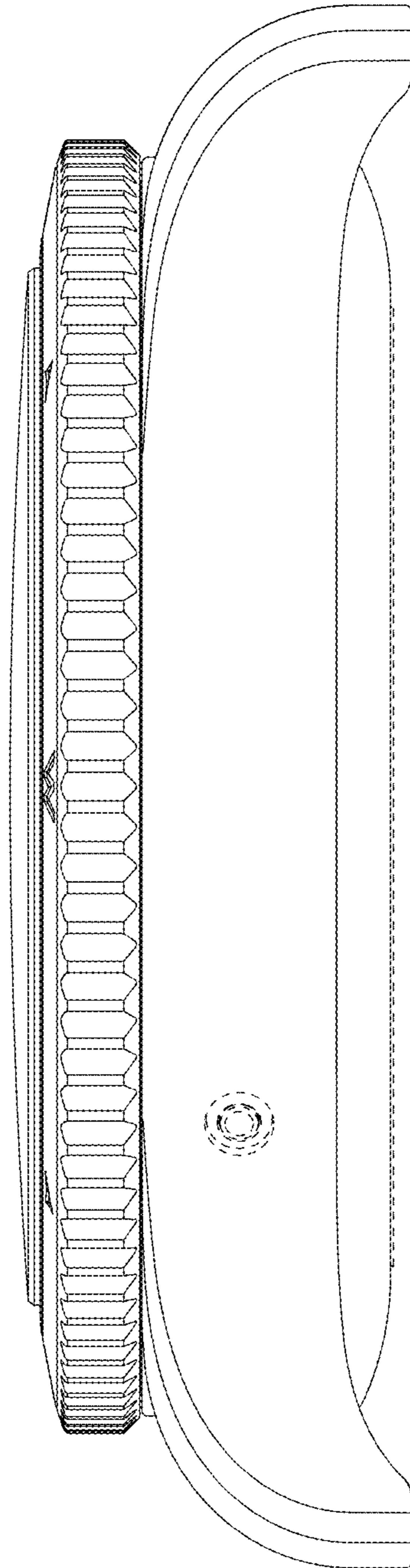


Fig. 4

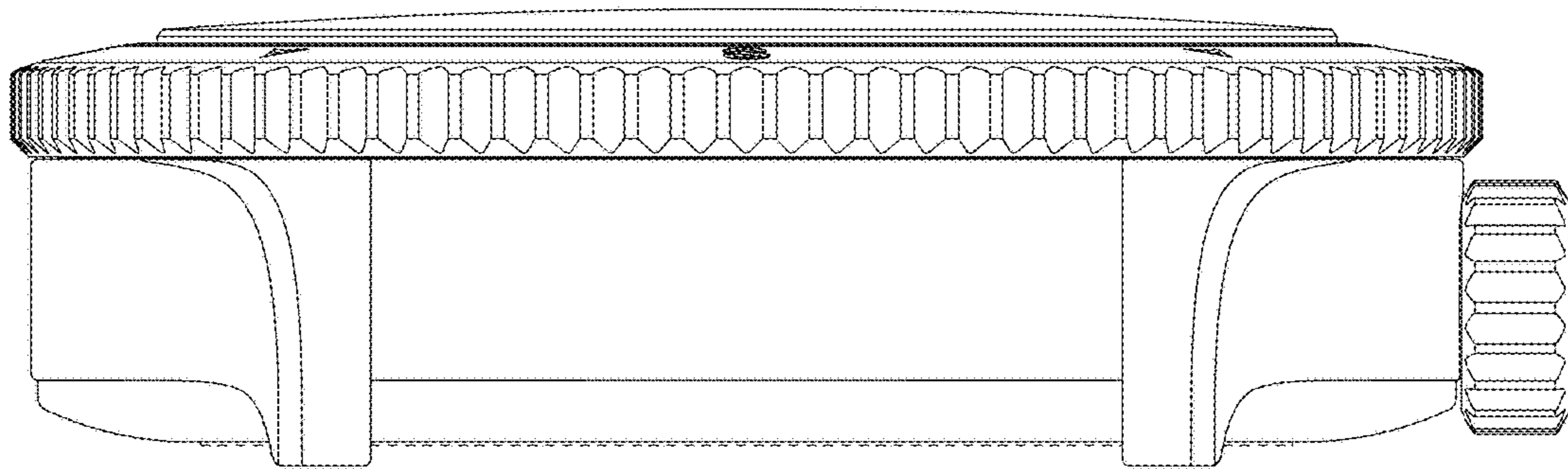


Fig. 5

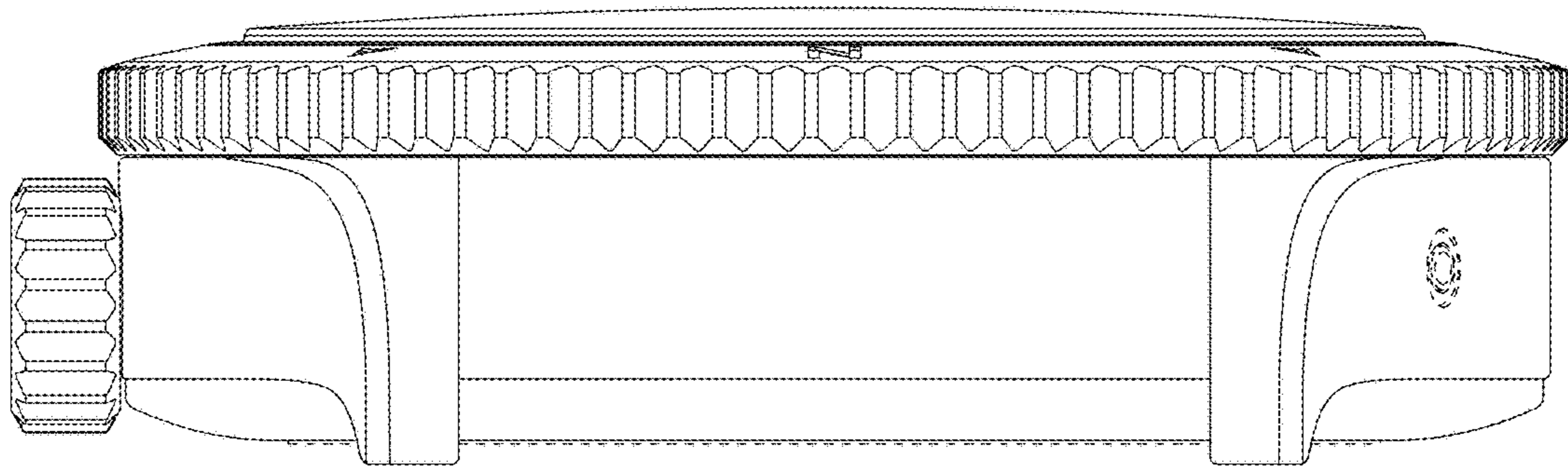


Fig. 6

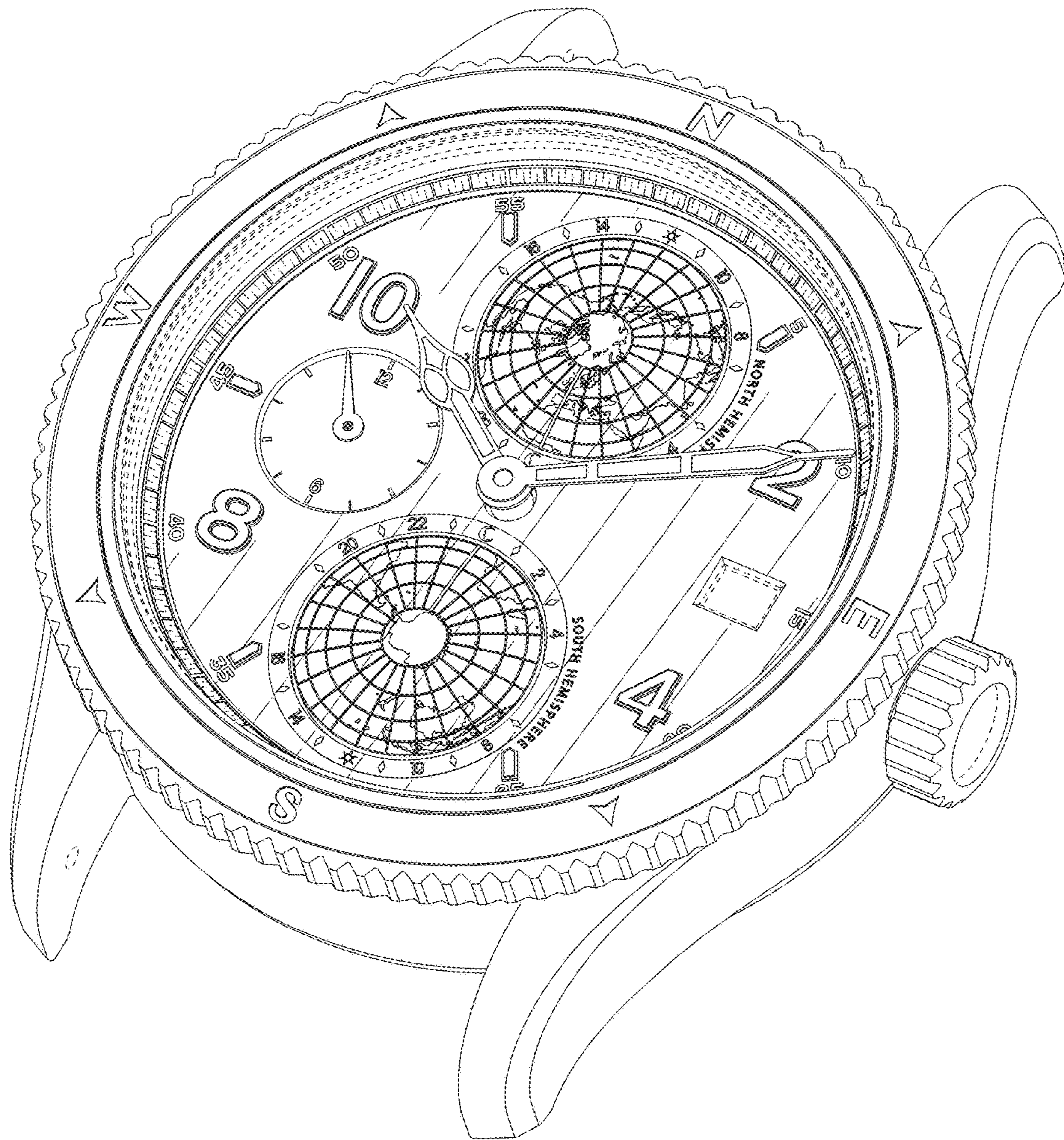


Fig. 7

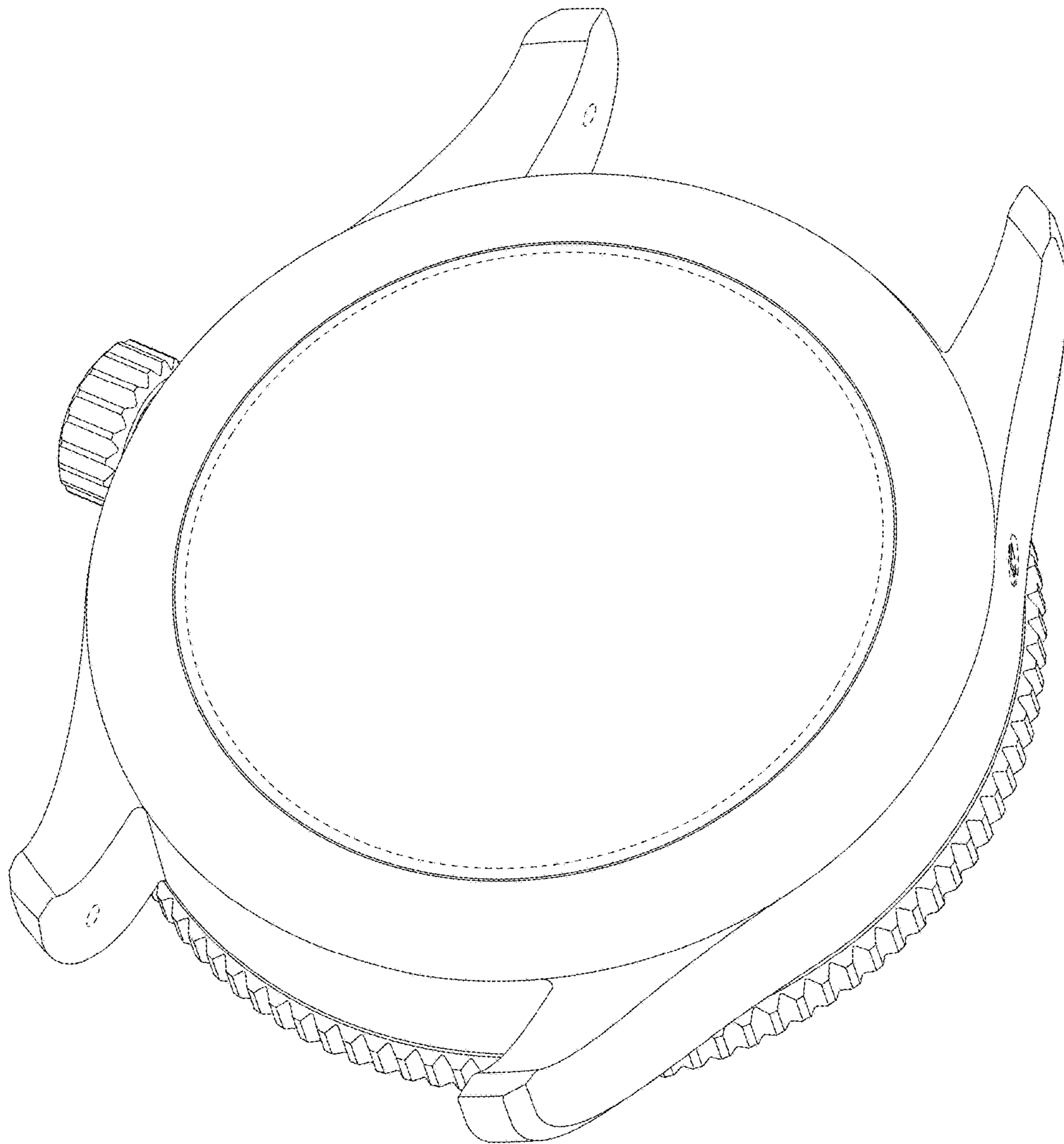


Fig. 8