

US00D864762S

(12) **United States Design Patent**
Gonet et al.

(10) **Patent No.:** **US D864,762 S**
(45) **Date of Patent:** **** Oct. 29, 2019**

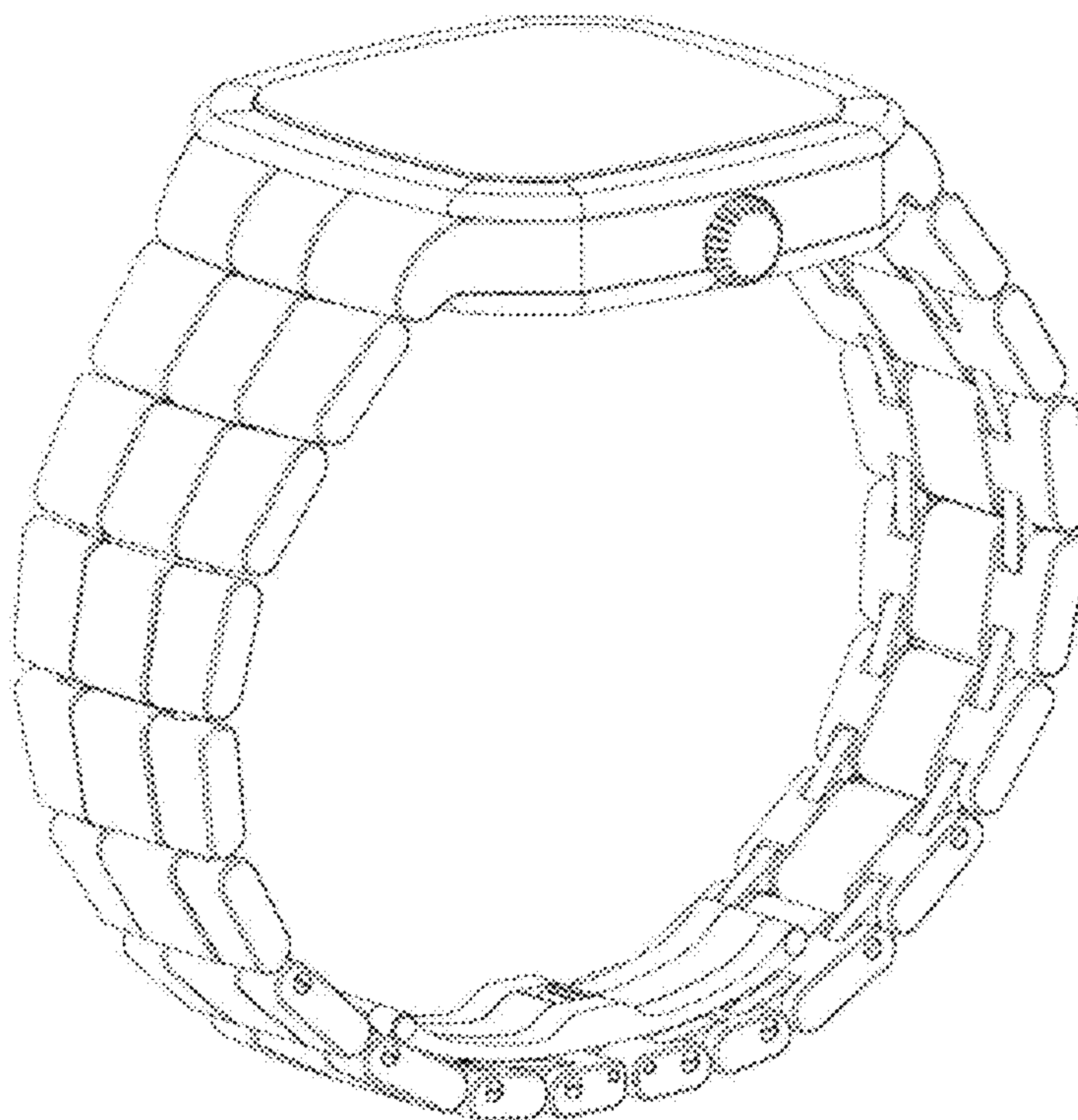
- (54) **WATCH WITH BRACELET**
- (71) Applicant: **CHARLES ZUBER SA**, Satigny (CH)
- (72) Inventors: **Fabrice Gonet**, Ecublens (CH); **Eric Giroud**, Conignon (CH); **Oliver Leu**, Aubonne (CH)
- (73) Assignee: **Charles Zuber SA**, Satigny (CH)
- (**) Term: **15 Years**
- (21) Appl. No.: **35/504,957**
- (22) Filed: **Apr. 20, 2018**
- (80) **Hague Agreement Data**
 Int. Filing Date: **Apr. 20, 2018**
 Int. Reg. No.: **DM/101027**
 Int. Reg. Date: **Apr. 20, 2018**
 Int. Reg. Pub. Date: **May 18, 2018**
- (51) **LOC (12) Cl.** **10-02**
- (52) **U.S. Cl.**
USPC **D10/32**
- (58) **Field of Classification Search**
USPC D10/32, 38-39
See application file for complete search history.

- (56) **References Cited**
U.S. PATENT DOCUMENTS
 D456,281 S * 4/2002 Glauser D10/32
 D631,761 S * 2/2011 Barbier D10/32
 D725,494 S * 3/2015 Buonamassa D10/124
 D767,416 S * 9/2016 Yurman D10/38
 * cited by examiner
Primary Examiner — George D. Kirschbaum
 (74) *Attorney, Agent, or Firm* — Ohlandt, Greeley, Ruggiero & Perle, L.L.P.

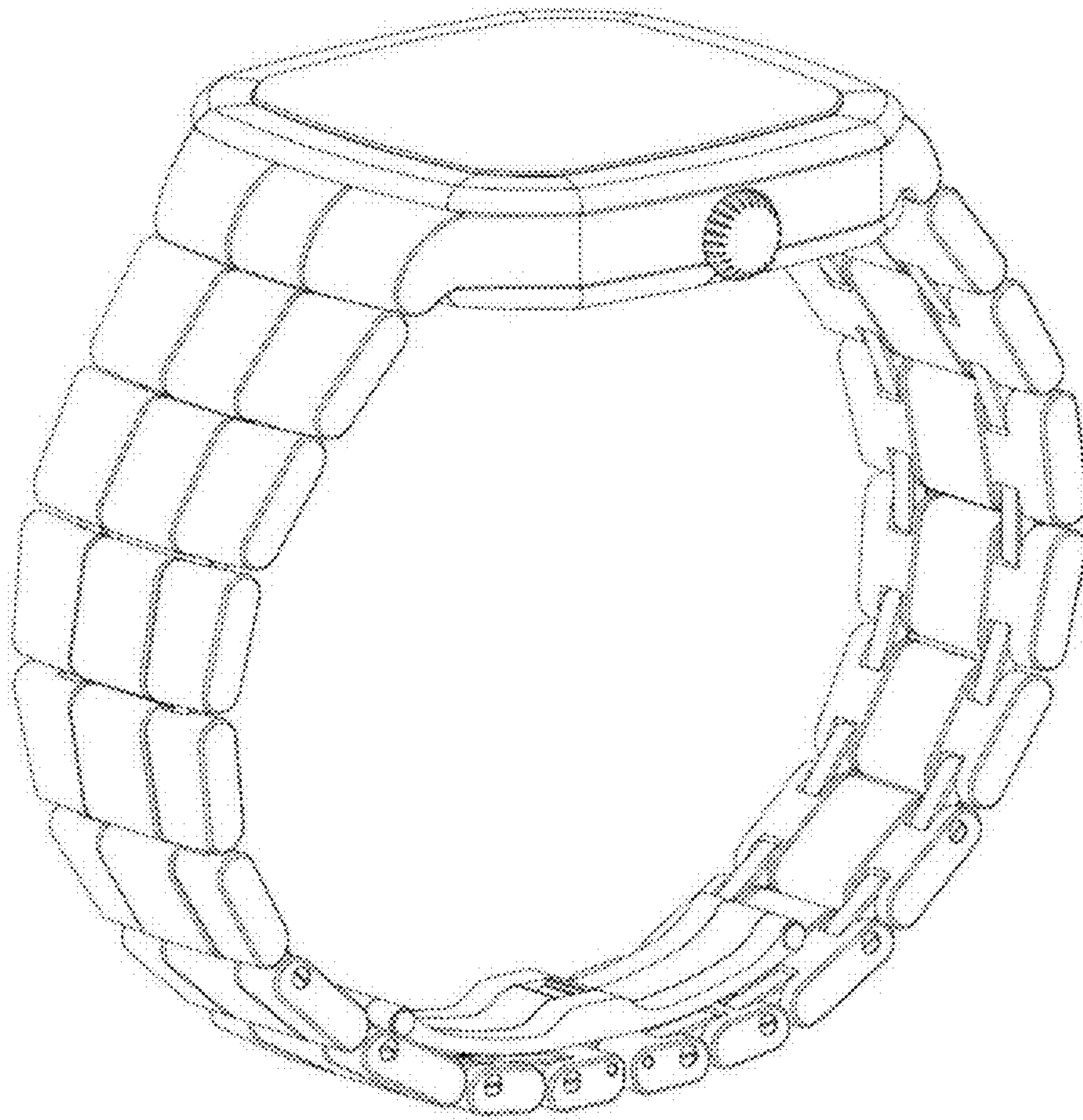
(57) **CLAIM**
The ornamental design for a watch with bracelet, as shown and described.

DESCRIPTION
FIG. 1.1 is a top side perspective view of a watch with bracelet according to the present disclosure;
FIG. 1.2 is a front view thereof;
FIG. 1.3 is a first side view thereof;
FIG. 1.4 bottom view thereof;
FIG. 1.5 is a rear view thereof;
FIG. 1.6 is a second side view thereof opposite the first side;
and,
FIG. 1.7 is a top view thereof.

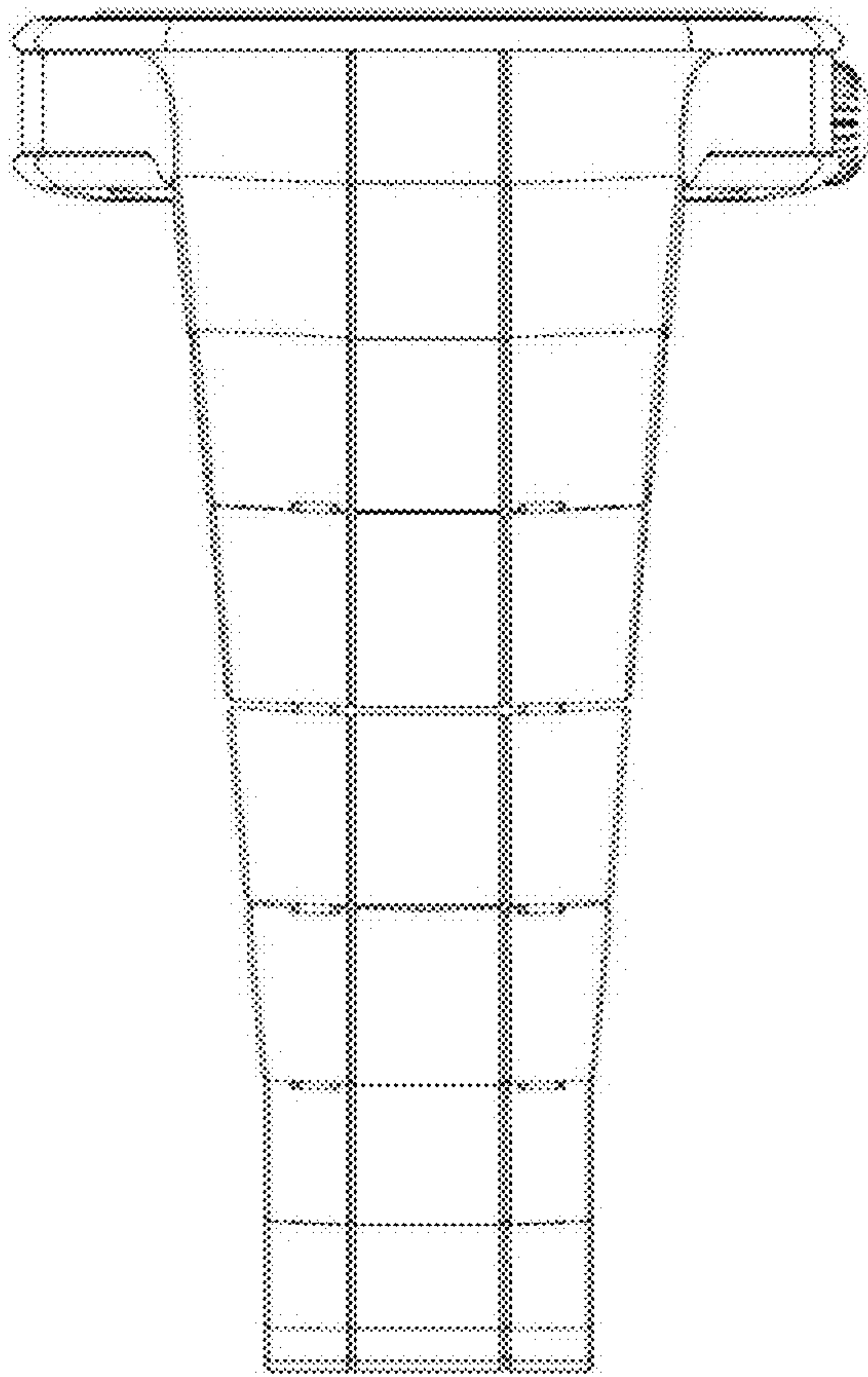
1 Claim, 7 Drawing Sheets



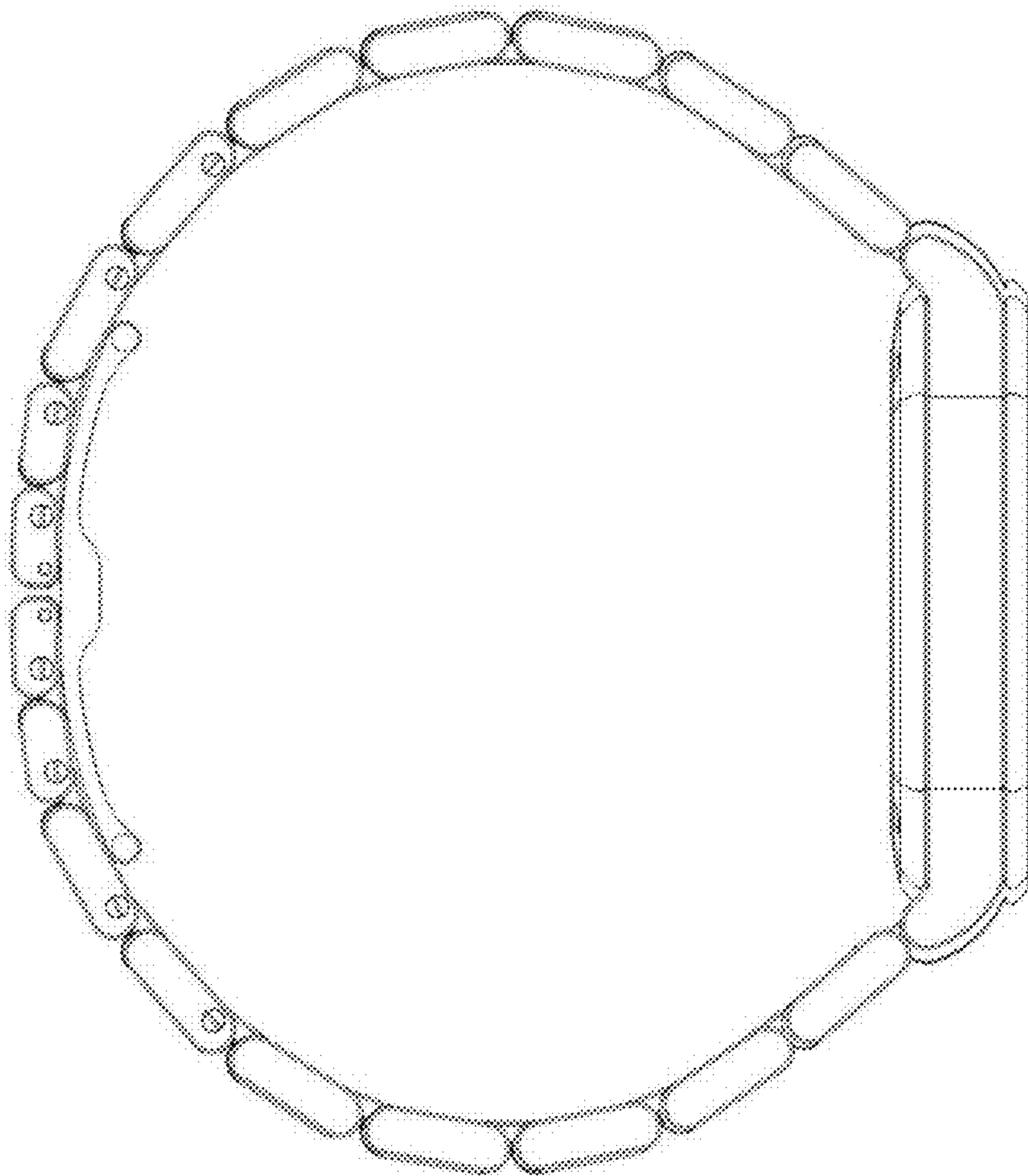
1.1



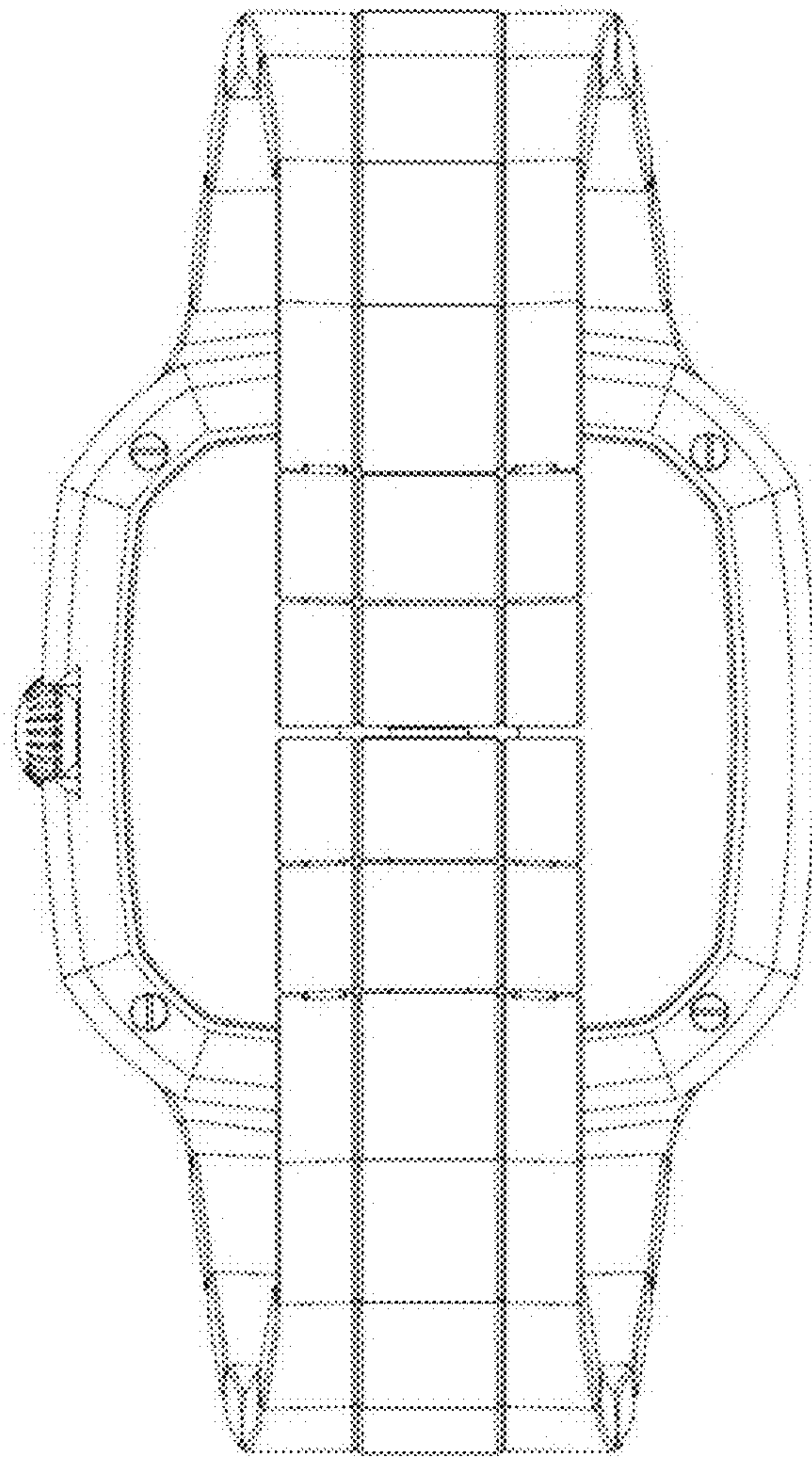
1.2



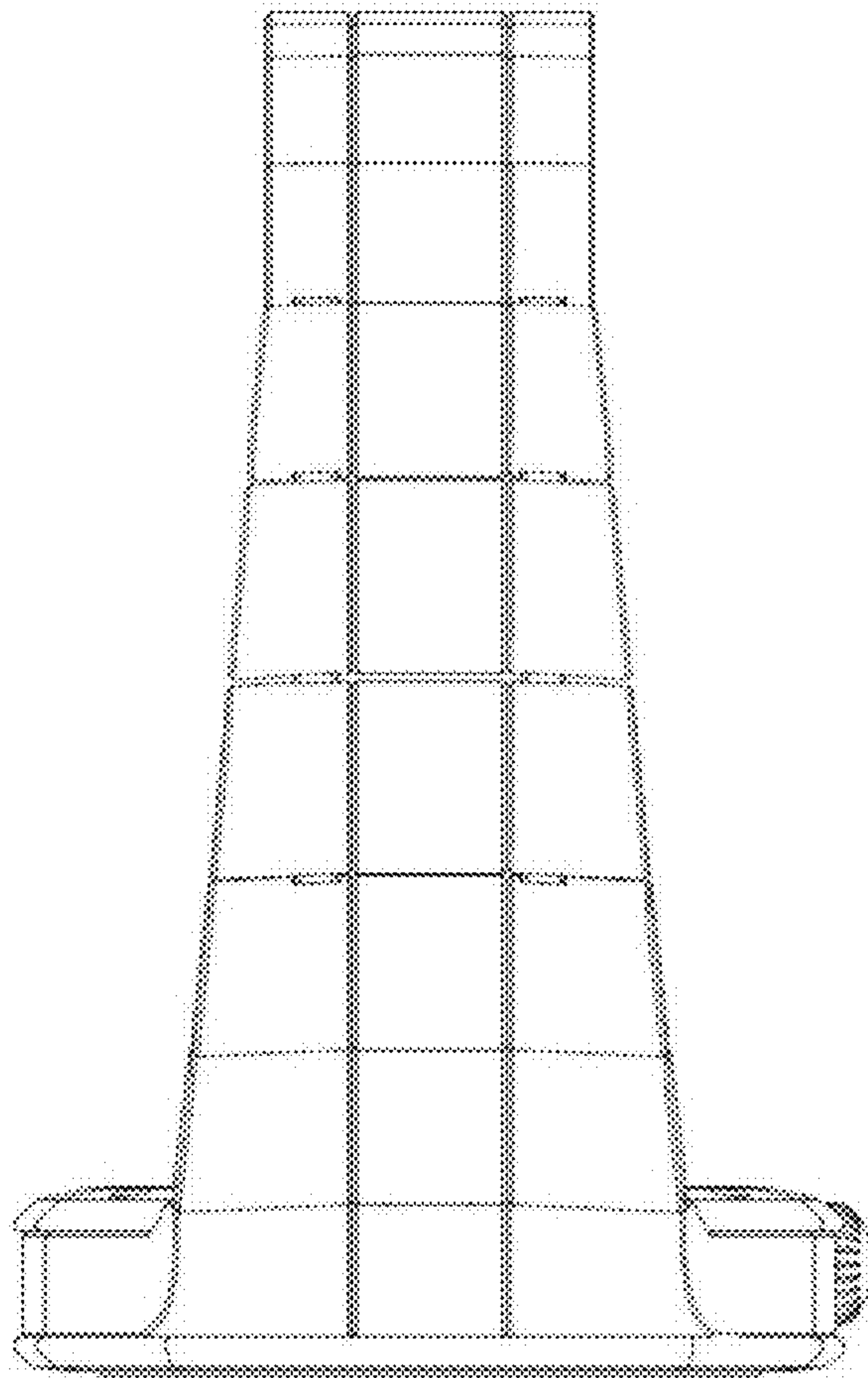
1.3



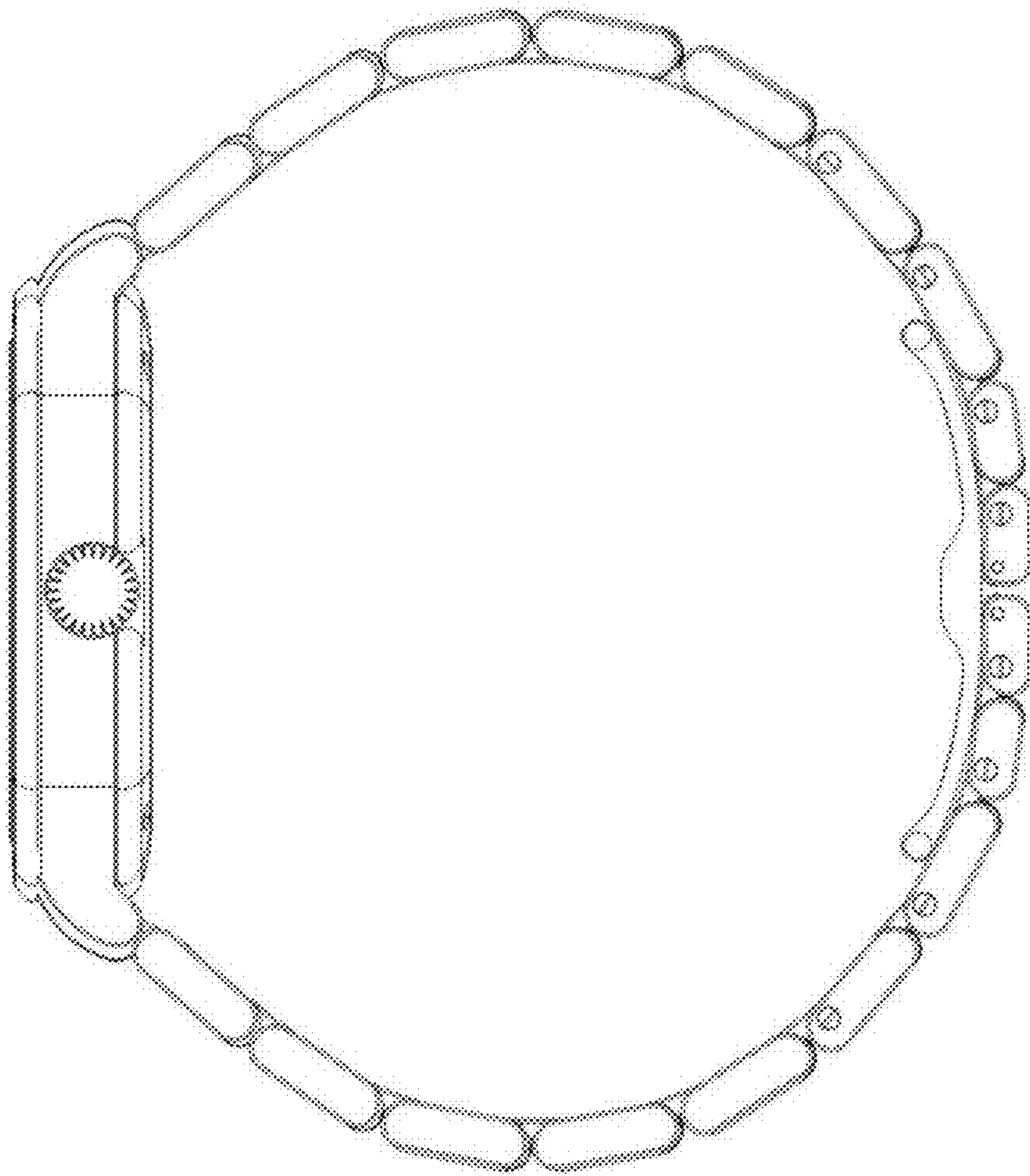
1.4



1.5



1.6



1.7

