

US00D864758S

(12) **United States Design Patent** (10) **Patent No.:** **US D864,758 S**  
**O'Neill** (45) **Date of Patent:** **\*\* Oct. 29, 2019**

(54) **PACKAGING**

- (71) Applicant: **SUGARFINA, INC.**, El Segundo, CA (US)
- (72) Inventor: **Rosie Colleen O'Neill**, El Segundo, CA (US)
- (73) Assignee: **Sugarfina, Inc.**, El Segundo, CA (US)
- (\*\*) Term: **15 Years**
- (21) Appl. No.: **29/685,462**
- (22) Filed: **Mar. 28, 2019**

**Related U.S. Application Data**

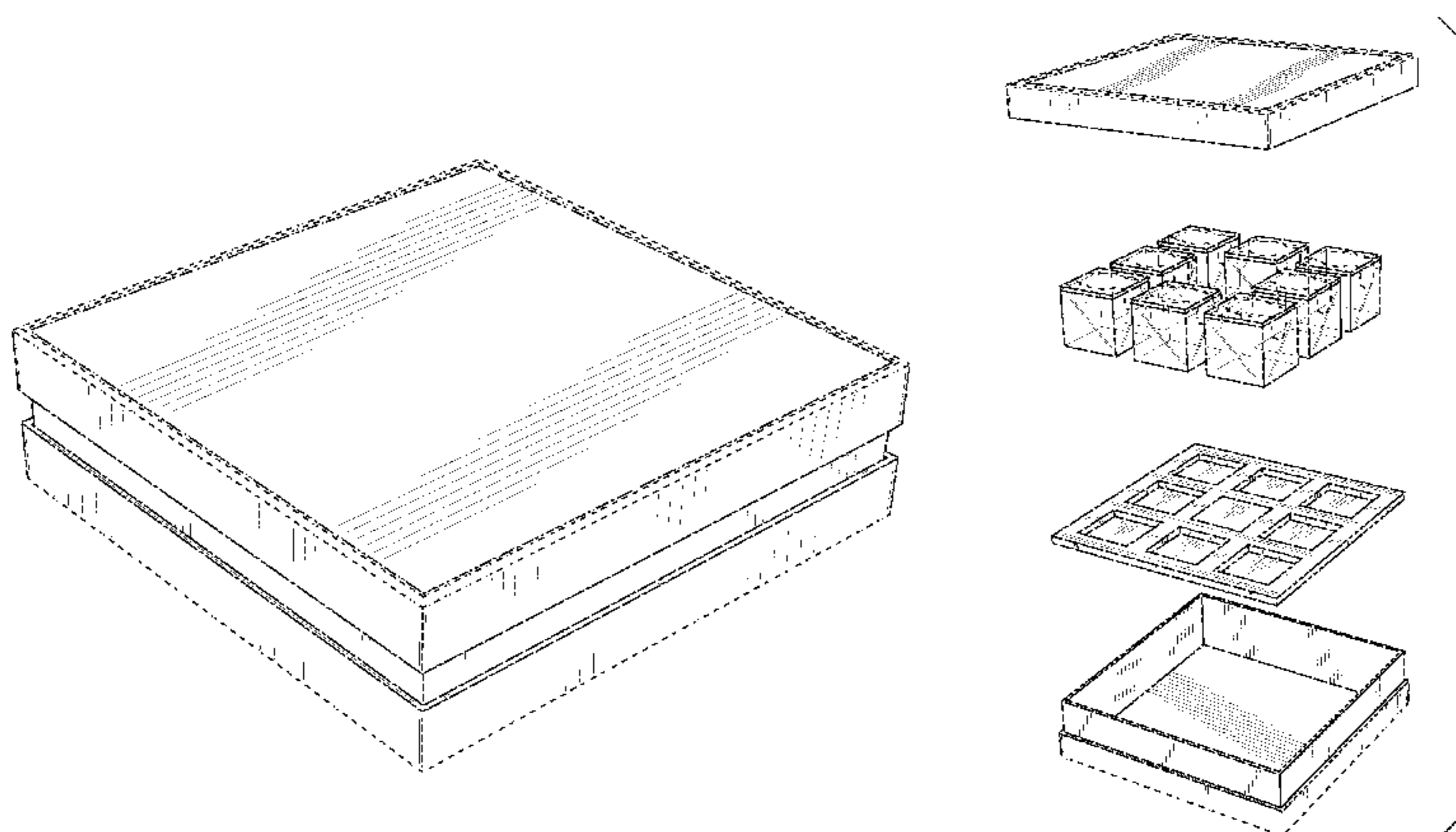
- (63) Continuation of application No. 29/663,542, filed on Sep. 17, 2018, now Pat. No. Des. 844,456, which is a continuation of application No. 29/609,563, filed on Jun. 30, 2017, now Pat. No. Des. 844,454.
- (51) **LOC (12) Cl.** ..... **09-03**
- (52) **U.S. Cl.**  
USPC ..... **D9/737; D9/432**
- (58) **Field of Classification Search**  
USPC ..... D9/414, 418, 715, 721, 737, 756, 759;  
D3/201, 273, 274, 302; D7/629  
CPC .. B65D 5/4204; B65D 5/5021; B65D 5/4208;  
B65D 85/1045; B65D 5/5035; B65D  
5/5213; B65D 5/22; B65D 5/38; B65D  
2519/00273; B65D 5/42; B65D 5/5038;  
B65D 2519/00323; B65D 5/5028; B65D  
5/5253; B65D 25/04; B65D 5/5016;  
B65D 5/68; B65D 85/00; B65D  
2543/00194; B65D 2543/00296; B65D  
2519/00711; B65D 2519/00034; B65D  
2519/00069; B65D 81/368; B65D  
21/0233; Y10S 206/804; Y10S 206/82  
See application file for complete search history.

(56)

**References Cited**

U.S. PATENT DOCUMENTS

228,158 A	5/1880	Woods	
D36,435 S	7/1903	Daggett	
D42,846 S	8/1912	Farrell	
1,162,840 A	12/1915	Wood	
1,588,857 A	6/1926	Sherman	
D71,513 S	11/1926	Austin	
1,620,789 A	3/1927	Urban, Jr.	
1,697,880 A	1/1929	Peter	
1,762,923 A	6/1930	Fegely	
D86,128 S	2/1932	Levkoff	
1,871,617 A	8/1932	King	
1,892,092 A	12/1932	Barad	
1,899,547 A	2/1933	Addis et al.	
1,994,159 A	3/1935	Wurzberg	
D95,429 S	4/1935	James et al.	
2,522,049 A	9/1950	Lang	
2,541,173 A *	2/1951	Moore .....	B65D 5/38 206/499
2,597,377 A	5/1952	Robinson	
2,604,980 A	7/1952	Reid	
2,751,135 A	6/1956	Kessler	
2,782,951 A	2/1957	Inman	
2,790,589 A	4/1957	Moore	
3,004,661 A	10/1961	Schumann	
3,126,093 A	3/1964	Bradley et al.	
3,357,543 A	12/1967	Taggart	
3,423,006 A	1/1969	Stedman	
3,494,534 A	2/1970	McFarland et al.	
3,600,871 A	8/1971	Farquhar	
3,660,934 A	5/1972	Pollack et al.	
D242,771 S	12/1976	Papillon	
D244,085 S	4/1977	Giddings et al.	
4,139,096 A	2/1979	Sieger	
D258,938 S	4/1981	Spitzer	
D260,077 S	8/1981	Burns et al.	
4,293,079 A	10/1981	Lytle	
D292,876 S	11/1987	Grunhut	
D292,877 S	11/1987	Grunhut	
4,713,928 A	12/1987	Tisma	
4,757,898 A	7/1988	Klein	
D307,504 S	4/1990	Silcox	
D315,297 S	3/1991	Campbell	
D317,717 S	6/1991	Carol	
D317,718 S	6/1991	Carol	
5,038,940 A	8/1991	Okabe	



# US D864,758 S

5,096,056 A	3/1992	Garcia		D709,306 S	7/2014	Tapper	
D327,004 S	6/1992	Nadel		D709,364 S	7/2014	Olsson et al.	
D329,601 S	9/1992	Samelson		D712,176 S	9/2014	Tamilarasan	
D333,615 S	3/1993	Zutler		D712,748 S	9/2014	Akana et al.	
D335,819 S	5/1993	Campbell		D713,739 S	9/2014	Akana et al.	
D344,020 S	2/1994	Pavely		D717,165 S	11/2014	Kwak et al.	
5,375,706 A	12/1994	Perez		D722,870 S	2/2015	Fohner et al.	
D361,508 S	8/1995	Schnack		D728,358 S	5/2015	Belamich	
D361,661 S	8/1995	Masuda		D729,636 S	5/2015	Steinberger	
D373,723 S	9/1996	Healey		D730,749 S	6/2015	Young et al.	
5,555,982 A	9/1996	Kuhn et al.		D731,323 S	6/2015	O'Neill	
5,590,786 A	1/1997	Jaycox		D731,325 S	6/2015	Loessin	
5,603,558 A	2/1997	Zimmer		D733,314 S	6/2015	Lui	
D380,417 S	7/1997	Hardy		D733,315 S	6/2015	Lui	
D380,926 S	7/1997	Goodburn et al.		D733,317 S	6/2015	Lui	
5,682,999 A	11/1997	Larson		D733,318 S	6/2015	Lui	
5,725,144 A *	3/1998	Stone .....	B65D 5/3607	9,061,790 B2	6/2015	Yagishita	
			229/101	D734,075 S	7/2015	Tapper	
5,791,468 A	8/1998	House		D738,721 S	9/2015	Song et al.	
5,817,510 A	10/1998	Pandey et al.		D741,193 S	10/2015	Lohuis et al.	
D411,308 S	6/1999	Pandey et al.		D748,280 S	1/2016	Lui	
D424,296 S	5/2000	David		D754,408 S	4/2016	Garrett et al.	
D424,425 S	5/2000	Ngai		D755,641 S	5/2016	O'Neill	
D426,902 S	6/2000	Hardy et al.		D756,560 S	5/2016	Ghiotti et al.	
D433,630 S	11/2000	Lubineau-Bigot et al.		D756,804 S	5/2016	Gross	
6,349,820 B1	2/2002	Kelley et al.		D758,191 S	6/2016	Tu et al.	
D455,073 S	4/2002	Mizrahi		D763,104 S	8/2016	Akana et al.	
D464,568 S	10/2002	Sisinni		D763,683 S	8/2016	O'Neill	
D464,885 S	10/2002	Weinstein et al.		D763,684 S	8/2016	O'Neill	
D468,100 S	1/2003	Bowling		D764,911 S	8/2016	Glass et al.	
6,533,166 B1	3/2003	Kaiss		D768,008 S	10/2016	Akana et al.	
D477,911 S	8/2003	Stuart		D769,727 S	10/2016	Lohuis et al.	
D492,194 S	6/2004	Kim		D769,986 S	10/2016	Timg	
D494,862 S	8/2004	Sisinni		D772,057 S	11/2016	Adams et al.	
6,923,556 B1	8/2005	Baker, III		D774,388 S	12/2016	Xia	
D510,528 S	10/2005	Funk		9,533,791 B2	1/2017	Fath	
D511,681 S	11/2005	Cogley et al.		D779,879 S	2/2017	Walker	
D521,733 S	5/2006	Kim		D780,569 S	3/2017	Bard et al.	
D522,376 S	6/2006	Hales		D780,570 S	3/2017	Bard et al.	
D528,794 S	9/2006	Lanham et al.		D787,186 S	5/2017	Thurbin	
D529,378 S	10/2006	Spencer et al.		D787,320 S	5/2017	Gill et al.	
D536,246 S	2/2007	Schneider		D789,752 S	6/2017	Zmrhal et al.	
7,264,123 B2	9/2007	Reed		D798,737 S	10/2017	Miller et al.	
D553,495 S	10/2007	Vandecasteele et al.		D821,087 S	6/2018	Lihotzky et al.	
D568,765 S	5/2008	Miles		D824,777 S	8/2018	Arnett, Jr.	
D580,263 S	11/2008	Yi Man		D826,069 S	8/2018	O'Neill	
D584,053 S	1/2009	Abdo et al.		10,053,274 B1	8/2018	O'Neill	
D596,485 S	7/2009	Andre et al.		D829,569 S	10/2018	O'Neill	
D603,720 S	11/2009	Cesare et al.		D831,479 S	10/2018	Lylyk	
D609,116 S	2/2010	Kim		D833,866 S *	11/2018	Lihotzky .....	D9/432
7,757,843 B2	7/2010	Katsis		D844,454 S *	4/2019	O'Neill .....	D9/737
D621,548 S	8/2010	Chen		D844,455 S *	4/2019	O'Neill .....	D9/737
D643,306 S	8/2011	Martinez et al.		D844,456 S *	4/2019	O'Neill .....	D9/737
8,006,842 B1	8/2011	Loughlin, Jr. et al.		D845,787 S *	4/2019	O'Neill .....	D9/737
D646,984 S	10/2011	Moore et al.		D845,788 S *	4/2019	O'Neill .....	D9/737
8,109,389 B1	2/2012	Amer		D848,862 S *	5/2019	O'Neill .....	D9/737
D657,284 S	4/2012	Young		2002/0108880 A1	8/2002	Krupa et al.	
D663,520 S	7/2012	Antler		2006/0266672 A1	11/2006	Young	
D664,312 S	7/2012	Bizzle		2006/0283733 A1	12/2006	Masa	
8,272,509 B1	9/2012	McCutchen		2007/0095693 A1	5/2007	DeLuca	
D669,352 S	10/2012	Paslowski		2008/0190788 A1	8/2008	Cziraky	
D670,931 S	11/2012	Tapper		2009/0242455 A1	10/2009	Adams et al.	
D670,932 S	11/2012	Tapper		2010/0012672 A1	1/2010	Piron	
D673,864 S	1/2013	Read et al.		2010/0187227 A1	7/2010	Wang	
D675,539 S	2/2013	Bilglarians		2011/0174166 A1	7/2011	Sparacio et al.	
D682,119 S	5/2013	Buford		2012/0168434 A1	7/2012	Algarda Cervera et al.	
D685,578 S	7/2013	Pestell		2012/0168443 A1	7/2012	Maness	
D686,065 S	7/2013	Kuo et al.		2013/0161378 A1	6/2013	Nebeker et al.	
D686,491 S	7/2013	Kuo et al.		2013/0240387 A1	9/2013	Pugh	
D687,321 S	8/2013	Pralus		2013/0248531 A1	9/2013	Lane	
D690,554 S	10/2013	Presley		2014/0021086 A1	1/2014	Roesler	
D691,465 S	10/2013	O'Brien et al.		2014/0166736 A1	6/2014	Kato	
D691,900 S	10/2013	Kraus		2014/0312107 A1	10/2014	Nash	
D698,639 S	2/2014	Fletcher et al.		2015/0093509 A1	4/2015	Kennedy et al.	
D698,664 S	2/2014	Abbott		2015/0232245 A1	8/2015	Fullan	
D700,462 S	3/2014	Boos		2015/0321811 A1	11/2015	Yeung	
D704,550 S	5/2014	Mattila et al.		2016/0009473 A1	1/2016	Korinek et al.	
D706,627 S	6/2014	Olsson et al.		2016/0046404 A1	2/2016	Cheeser et al.	
D709,305 S	7/2014	Tapper		2016/0185511 A1	6/2016	O'Neill	



2016/0264285 A1 9/2016 Madwar et al.  
 2017/0050797 A1 2/2017 Farid et al.  
 2017/0076343 A1 3/2017 Bernstein et al.  
 2017/0138660 A1 5/2017 Huckaby et al.  
 2017/0152092 A1 6/2017 Glass et al.

## FOREIGN PATENT DOCUMENTS

DE	M9202895-0002	9/1992
DE	G1997182206	3/1993
IL	51964	10/2013
JP	1503649 S	7/2014
JP	1530877 S	8/2015
JP	1537477 S	11/2015
JP	1541182 S	1/2016
JP	1562136 S	1/2017
JP	D1600162	3/2017
KR	30-0377284-0000	3/2005
KR	30-04151920-0000	6/2007
TW	099232	5/1988
TW	0119491	10/2007
TW	D186765 S	11/2017

## OTHER PUBLICATIONS

Mariebelle.com archived webpage (available at <https://web.archive.org/web/20070624034428/http://www.mariebelle.com/category.cfm?showCategoryID=12>), purported by the Internet Archive WayBack Machine to have been publicly available Jun. 24, 2007, 1 page.  
 Sugarfina Partners With Sanrio to Create the Cutest Hello Kitty Candy on the Planet. [online] Published Sep. 17, 2017. Retrieved Nov. 20, 2017 from URL: <https://www.popsugar.com/food/gallery/44018877/image/44018885/Sugarfinas-Pop-Up-Candy-Bento-Box-30>.  
 Rigid Set-up Box, Wine and Champagne Chocolate Leather Gift Box, Faux Leather, Dark Brown, Qty/CASE-6. [online] Retrieved Nov. 22, 2017 from URL: <https://www.aspecialtybox.com/RG00F-00493-C>.  
 House Drawer Gift Box/CMXSSGB-10. [online] Retrieved Nov. 22, 2017 from URL: <http://www.charmpackaging.com/special-shape-gift-box/house-drawer-gift-box-cmxssgb-010.html>.  
 10 fanciest candies from Sugarfina's New York shop—NY; <http://www.nydailynews.com/life-style/eats/10-fanciest-candies-sugarfina-new-york-shop-article-1.2407237>; Oct. 22, 2015; 9 pages.  
 A Candy Emporium for Adults; <https://www.entrepreneur.com/article/236286>; Aug. 25, 2014; 10 pages.  
 A Sweet Evening at Sugarfina—SavvySleepers; <https://www.savvysleepers.com/blogs/the-benefits-of-satin/44181636-a-sweet-evening-at-sugarfina>; Aug. 31, 2015; 7 pages.  
 Candy Critic: Boxes and Boxes of Gummies From Sugarfina; <http://candy-critic.blogspot.com/2013/05/boxes-and-boxes-of-gummies-from.html>; May 2, 2013; 2 pages.  
 Luxurious One-of-a-Kind Candy Shop Tour With Sugarfina—Best Friends for Frosting; <https://bestfriendsforfrosting.com/2015/11/luxurious-one-kind-candy-sugarfina/>; Nov. 17, 2015; 16 pages.  
 Drool Worthy Sweets in Cute Packaging Beckon at Sugarfina Candy Shop; <http://www.7x7.com/drool-worthy-sweets-in-cute-packaging-beckon-at-sugarfina-candy-shop-1787196138.html>; Jul. 15, 2015; 4 pages.  
 Emiiichan Blog\_Sugarfina candy order; <https://emiiichan.blogspot.com/2014/11/sugarfina-candy-order.html>; Nov. 21, 2014, 18 pages.  
 Fancy candy brand selects fancier Dallas destination for Texas debut; <http://dallas.culturemap.com/news/restaurants-bars/10-29-15-sugarfina-highland-park-village-market-candy/>; Oct. 29, 2015; 4 pages.  
 Jonathan Adler Sugarfina Bento Boxes\_InStyle.com; <http://www.instyle.com/lifestyle/news/sugarfina-loves-jonathan-adler-collection>; Apr. 11, 2016; 2 pages.  
 Kasey's Kitchen: Kasey's Favorite Thing #20: Sugarfina; <http://kaseyskitchentv.blogspot.com/2013/12/kaseys-favorite-thing-20-sugarfina.html>; Dec. 17, 2013; 3 pages.  
 NYC Guide: Sugarfina—York Avenue; <https://yorkavenueblog.com/nyc-guide-sugarfina/>; Oct. 26, 2015; 74 pages.

Rebecca's Delights: Sugarfina Gourmet Candy—Author Rebecca Kelsey Sampson; <http://rebeccakelsey.com/2012/11/rebeccas-delights-sugarfina-gourmet-candy>; Nov. 12, 2012; 6 pages.  
 People Freaked Out So Hard Trying to Get Rosé Gummy Bears that They Crashed the Website; <https://www.forbes.com/sites/meghancasserly/2013/04/09/sugarfina-facebook-candy-shop-outerspace/#78cb39dd6e74>; Jun. 29, 2016; 14 pages.  
 Rosie O'Neill of Sugarfina—The Everygirl; <http://theeverygirl.com/rosie-oneill-of-sugarfina>; May 18, 2014; 27 pages.  
 Sugar & Charm // Sugarfina—Mary Costa Photography; <http://marycostaphotography.com/sugar-charm-sugarfina/>; Apr. 22, 2014; 24 pages.  
 Sugar Fix: Sugarfina Pasadena; <https://studiodiy.com/2015/07/21/sugar-fix-sugarfina-pasadena/>; Jul. 21, 2015; 15 pages.  
 Sugarfina—A Unique Candy Boutique at the Americana; <http://www.realmomofsfv.com/2014/06/18/sugarfina-a-unique-candy-boutique-at-the-americana/>; Jun. 18, 2014; 28 pages.  
 Sugarfina Beverly Hills & Trio of Goodies—Candy Blog; [http://www.candyblog.net/blog/item/sugarfina\\_trio\\_of\\_goodies](http://www.candyblog.net/blog/item/sugarfina_trio_of_goodies); Dec. 16, 2013; 11 pages.  
 Sugarfina—Candy Happiness!; <http://luluandlattes.com/2013/06/27/sugarfina-candy-happiness/>; Jun. 27, 2013; 11 pages.  
 Sugarfina Launches—Atlanta's Lenox Square Just Got Sweeter!; <http://www.momsmagicalmiles.com/sugarfina-launches-atlantas-lenox/>; Nov. 6, 2015; 15 pages.  
 Sugarfina << MDH Mark D Hogan; <https://markdhogan.wordpress.com/tag/sugarfina/>; Aug. 29, 2013; 7 pages.  
 Sugarfina Part I—Foodette Reviews; <http://foodettereviews.com/?p=24>; Sep. 10, 2013; 7 pages.  
 Sugarfina: One Candy-Coated Startup's Plans for a Lucrative Exit—But First A Trip to Space; <https://www.forbes.com/sites/meghancasserly/2013/04/09/sugarfina-facebook-candy-shop-outerspace/#78cb39dd6e74>; Apr. 9, 2013; 6 pages.  
 Sugarfina Representative Facebook posts; <https://www.facebook.com/Sugarfina>; 25 pages.  
 Sugarfina Representative Instagram posts; <https://www.instagram.com/sugarfina/?hl=en>; 40 pages.  
 Sugarfina Representative Twitter posts; <https://twitter.com/sugarfina>; 91 pages.  
 Sugarfina: Sampling the Sweets—York Avenue; <https://yorkavenueblog.com/sugarfina-sampling-sweets/>; Sep. 8, 2014; 7 pages.  
 Sugarfina: The Chocolates—Candy Blog; [http://www.candyblog.net/blog/item/sugarfina\\_the\\_chocolates](http://www.candyblog.net/blog/item/sugarfina_the_chocolates); Jul. 16, 2013; 11 pages.  
 Sugarfina: The Gummies—Candy Blog; [http://www.candyblog.net/blog/item/sugarfina\\_the\\_gummies](http://www.candyblog.net/blog/item/sugarfina_the_gummies); Jul. 10, 2013; 11 pages.  
 Sugarfina—Thrillist LA; <https://www.thrillist.com/eat/los-angeles/we-fed-a-kid-absinthe-candy-here-s-what-happened-thrillist-la>; Dec. 16, 2013; 35 pages.  
 Talking Shop: Sugarfina—Sugar Paper; <https://sugarpaper.com/blogs/news/87503553-talking-shop-sugarfina>; Feb. 11, 2016; 13 pages.  
 Treat yourself: Sugarfina!\_Twinkie Chan Blog; <http://blog.twinkiechan.com/2012/09/20/treat-yourself-sugarfina/>; Sep. 20, 2012; 13 pages.  
 Whispering Angel Rosé-Infused Gummy Bears are Summer's Hottest Sweet—The Glamorous Gourmet; <https://theglamorousgourmet.com/whispering-angel-rose-gummy-bears-summer-hottest-sweet/>; Jul. 31, 2016; 13 pages.  
 International Search Report and Written Opinion for International Application No. PCT/US2017/057660 dated Jan. 25, 2018, 9 pages.  
 Translation of Office Action and Search Report for Taiwan Design Patent Application No. 106306912 dated Jun. 12, 2018; 3 pages.  
 Alto Nivel, Top 10 de Chocolates Gourmet de Lujo (Jun. 26, 2011) (available at <https://www.altonivel.com.mx/estilo-de-vida/top-10-de-chocolates-gourmet-de-lujo/>), 13 pages.  
 Alto Nivel, Top 10 de Chocolates Gourmet de Lujo (Jun. 26, 2011) (available at <https://www.altonivel.com.mx/estilo-de-vida/top-10-de-chocolates-gourmet-de-lujo/>), machine translation, 12 pages.  
 Magma Google Group, "Sweet" (Mar. 11, 2011) (available at [https://groups.google.com/forum/print/msg/magma-massar/sUT3yoay0mE/5gOUk5AKMzQJ?ctz=4721738\\_76\\_76\\_104100\\_72\\_446760](https://groups.google.com/forum/print/msg/magma-massar/sUT3yoay0mE/5gOUk5AKMzQJ?ctz=4721738_76_76_104100_72_446760)), 11 pages.



Yelp photo uploaded by Adam D. on Mar. 8, 2014 (available at [https://www.yelp.com/biz\\_photos/mariebelle-new-york-3?select=ggKtO2Mx-jLH82WREkN7iA](https://www.yelp.com/biz_photos/mariebelle-new-york-3?select=ggKtO2Mx-jLH82WREkN7iA)), 1 page.

Yelp photo uploaded by Farhana S. on May 25, 2015 (available at [https://www.yelp.com/biz\\_photos/mariebelle-new-york-3?select=bewjIhJxzOfxHTN2m0-Ghg](https://www.yelp.com/biz_photos/mariebelle-new-york-3?select=bewjIhJxzOfxHTN2m0-Ghg)), 1 page.

Yelp photo uploaded by Amy K. on Feb. 20, 2016 (available at [https://www.yelp.com/biz\\_photos/mariebelle-new-york-3?select=aSrM2Gu\\_DuexeX67uD4p9Q](https://www.yelp.com/biz_photos/mariebelle-new-york-3?select=aSrM2Gu_DuexeX67uD4p9Q)), 1 page.

Yelp photo uploaded by Adrienne D. on Nov. 8, 2016 (available at [https://www.yelp.com/biz\\_photos/mariebelle-new-york-3?select=tEA9kZR4JsKfDBSu8uSIIQ](https://www.yelp.com/biz_photos/mariebelle-new-york-3?select=tEA9kZR4JsKfDBSu8uSIIQ)), 1 page.

Yelp photo uploaded by Dani V. on Jan. 4, 2007 (available at [https://www.yelp.com/biz\\_photos/mariebelle-new-york-3?select=5MkHMGtiRD-hWFLhdHlvKg](https://www.yelp.com/biz_photos/mariebelle-new-york-3?select=5MkHMGtiRD-hWFLhdHlvKg)), 1 page.

Banat-Style.com, Mar. 1, 2010 (available at <http://forums.banat-style.com/arabgirlsfashion143108/>), 46 pages.

Chocomize, Candy Cube Boxes, [www.chocomize.com/candy-cube-box-9pc.html](http://www.chocomize.com/candy-cube-box-9pc.html) (Jun. 29, 2017).

MidNite Snax, Signature Sets, [http://midnitesnax.com/home\\_page\\_files/view/1265/file.pdf](http://midnitesnax.com/home_page_files/view/1265/file.pdf) (Jun. 29, 2017).

Sweet Pete's, Build-a-Candy-Cube-Box, <https://www.sweetpetescandy.com/collections/build-a-candy-cube-box> (Jun. 29, 2017).

Sweet Pete's, Pete's Picks Collection, [www.sweetpetescandy.com:80/collections/boxes](http://www.sweetpetescandy.com:80/collections/boxes) (Mar. 23, 2016).

Sweitzer Candy Shop, Gifts, <https://sweizercandy.com/index.php/gift-boxes.html> (Jun. 29, 2017).

Sugarfina, Design Your Own Bento, [www.sugarfina.com/shop/gift-shop/gift-type/design-your-own-bento](http://www.sugarfina.com/shop/gift-shop/gift-type/design-your-own-bento) (Jun. 29, 2017).

Sugarfina, Custom Catalogue, <https://issuu.com/sugarfina/docs/2017-corporatecatalog-ppai-webversi> (Jun. 29, 2017).

Teapressa, Tea + Cube, available at <https://teapressa.com/collections/gifts/products/tea-cube> (Jun. 29, 2017).

Sweitzer Candy Gift Box 8, available Feb. 21, 2015, [online], [site visited Aug. 2, 2017]. Available from internet, <URL: <https://web.archive.org/web/20150221225755/https://sweizercandy.com/index.php/gift-boxes.html>>, 2 pages.

Sweitzer Candy Gift Box 4, available Feb. 21, 2015, [online], [site visited Aug. 2, 2017]. Available from internet, <URL: <https://web.archive.org/web/20150221225755/https://sweizercandy.com/index.php/gift-boxes.html>>, 2 pages.

"A Taste of Paradise," Collection by Sugarfina, available Aug. 2, 2017, [online], [site visited Aug. 2, 2017]. Available from internet, <URL: <https://www.sugarfina.com>>, 1 page.

Cubetas, [online], [site visited Aug. 16, 2017]. Available from internet, <URL: <http://cubetas.jp/>>, 19 pages.

Bonbonist—<https://thebonbonist.com/>; Oct. 18, 2017, 4 pages.

Bonbonist Box Photo—Facebook—<https://www.facebook.com/thebonbonist/photos/a.1493876617357861.1073741829.1290401221038736/1493876580691198/?type=3&theater>; Oct. 1, 2017, 1 page.

Bouquet Bar 3 Piece Box Photo—Instagram—<https://www.instagram.com/p/BPs-h6rBWic/?taken-by=thebouquetbar>; Jan. 25, 2017, 1 page.

Bouquet Bar 6 Piece Box Photo—"It's Time to Ditch the Red Roses: Six Better Ways to Give Your Valentine Flowers," People Home & Travel; Jan. 31, 2017, 10 pages.

Bouquet Bar 6 Piece Photo—Instagram—<https://www.instagram.com/p/BP-9I12hV9Q/?taken-by=thebouquetbar>; Feb. 1, 2017, 1 page.

Chocomize 2 Piece Box—<https://www.chocomize.com/candy-cubes-2pack.html>; Oct. 16, 2017, 4 pages.

Chocomize 3 Piece Box Photo—Facebook—<https://www.facebook.com/Chocomize/photos/a.423529781180.220124.176532311180/10154561729211181/?type=3&theater>; Nov. 11, 2016, 1 page.

Chocomize 6 Piece Box—<https://www.chocomize.com/candy-cube-6pcs-box.html>; Oct. 16, 2017, 3 pages.

Chocomize 9 Piece Box Photo—Instagram—<https://www.instagram.com/p/BI5r4s6BLH7/?taken-by=chocomize>; Aug. 9, 2016, 1 page.

Chocomize 9 Piece Box Photo—Instagram—<https://www.instagram.com/p/BMpjEEUhpqV/?taken-by=chocomize>; Nov. 10, 2016, 1 page.

Chocomize 9 Piece Box Photo—Instagram—<https://www.instagram.com/p/BMrp0YdhQeU/?taken-by=chocomize>; Nov. 11, 2016, 1 page.

Cubetas 2 Piece and 3 Piece Box Photo—Instagram—<https://www.instagram.com/p/BMyWwq0BQoH/?taken-by=cubetas.2016>; Nov. 14, 2016, 1 page.

Cubetas 2 Piece and 3 Piece Box Photo—Instagram—<https://www.instagram.com/p/BNtkhJpBzYm/?taken-by=cubetas.2016>; Dec. 7, 2016, 1 page.

Cubetas 2 Piece Box Photo—Instagram—<https://www.instagram.com/p/BMQ9Bjihqyz/?taken-by=cubetas.2016>; Nov. 1, 2016, 1 page.

Cubetas 3 Piece Box Photo—Instagram—<https://www.instagram.com/p/BPrxqTThloh/?taken-by=cubetas.2016>; Jan. 25, 2017, 1 page.

Foxes Events 6 Piece Box Photo—Instagram—<https://www.instagram.com/p/BQVMWj7jZke/?taken-by=foxesevents&hl=en>; Feb. 10, 2017, 1 page.

Idea Stage 2 Piece Box—<https://www.ideastage.com/Cube-Shaped-Candy-Set-965458328>; Oct. 13, 2017, 2 pages.

Sugarwish 2 Piece and 4 Piece Boxes—<https://web.archive.org/web/20151201071311/https://sugarwish.com/choose-a-sugarwish>; Dec. 1, 2015, 1 page.

Sweet Lounge 2 Piece Box—<https://www.sweetlounge.co.uk/lounge-box-hello-spring-collection-for-vegans/>; Oct. 16, 2017, 6 pages.

Sweet Lounge 3 Piece and 4 Piece Box Photo—Instagram—[https://www.instagram.com/p/BM\\_eHn6g8ly/?taken-by=sweetloungeuk](https://www.instagram.com/p/BM_eHn6g8ly/?taken-by=sweetloungeuk); Nov. 19, 2016, 1 page.

Sweet Lounge 3 Piece and 4 Piece Box Photo—Instagram—[https://www.instagram.com/p/BMY\\_iidAMwX/?taken-by=sweetloungeuk](https://www.instagram.com/p/BMY_iidAMwX/?taken-by=sweetloungeuk); Nov. 4, 2016, 1 page.

Sweet Lounge 4 Piece Box—Instagram—<https://www.instagram.com/p/BNMnfaJgwOo/?taken-by=sweetloungeuk>; Nov. 24, 2016, 1 page.

Sweet Lounge 4 Piece Box—<https://www.sweetlounge.co.uk/lounge-box-hello-spring-collection/>; Oct. 16, 2017, 7 pages.

Sweet Lounge 4 Piece Box Video Snapshots—Facebook—<https://www.facebook.com/sweetloungeuk/videos/vb.670728213008752/1188285557919679/?type=2&theater>; Nov. 16, 2016, 6 pages.

Sweet Pete's 8 Piece Box—[www.sweetpetescandy.com/collections/create-a-box](http://www.sweetpetescandy.com/collections/create-a-box); Nov. 18, 2016, 2 pages.

Sweitzer Candy 3 Piece Box Photo—Instagram—<https://www.instagram.com/p/440XveluqO/?taken-by=sweizercandy>; Jul. 8, 2015, 1 page.

Sweitzer Candy 4 Piece Box Photo—Instagram—<https://www.instagram.com/p/440XveluqO/?taken-by=sweizercandy>; Apr. 16, 2015, 1 page.

Sweitzer Candy 8 Piece Box Photo—Instagram—<https://www.instagram.com/p/wLDm8Olujs/?taken-by=sweizercandy>; Dec. 4, 2014, 1 page.

Webb Company 2 Piece Box Photo—Facebook—<https://www.facebook.com/webbcollection/photos/a.376918812240.156708.376836382240/10154628557212241/?type=3&theater>; Oct. 18, 2016, 1 page.

Webb Company 4 Piece Box—<https://www.facebook.com/webbcollection/photos/a.376918812240.156708.376836382240/10154602255037241/?type=3&theater>; Oct. 11, 2016, 1 page.

Weeny Beeny 3 Piece Box Photo—Facebook—<https://www.facebook.com/weenybeenyl23/>; Jan. 31, 2017, 1 page.

Weeny Beeny 4 Piece Box Photo—Facebook—<https://www.facebook.com/weenybeenyl23/>; Jan. 31, 2017, 1 page.

\* cited by examiner

*Primary Examiner* — Lauren R Calve

(74) *Attorney, Agent, or Firm* — Troutman Sanders LLP; James E. Schutz; Chris N. Davis

(57)

#### CLAIM

The ornamental design for a packaging, as shown and described.

#### DESCRIPTION

FIG. 1 is a perspective view of a packaging showing my new design.

FIG. 2 is a left view thereof.  
FIG. 3 is a right view thereof.  
FIG. 4 is a front view thereof.  
FIG. 5 is a rear view thereof.  
FIG. 6 is a top view thereof.  
FIG. 7 is a bottom view thereof.  
FIG. 8 is a perspective view thereof, shown without the top for clarity of illustration.  
FIG. 9 is a left view thereof, shown without the top for clarity of illustration.  
FIG. 10 is a right view thereof, shown without the top for clarity of illustration.  
FIG. 11 is a front view thereof, shown without the top for clarity of illustration.  
FIG. 12 is a rear view thereof, shown without the top for clarity of illustration.  
FIG. 13 is a top view thereof, shown without the top for clarity of illustration.  
FIG. 14 is a bottom view thereof, shown without the top for clarity of illustration; and,  
FIG. 15 is an exploded perspective view of the packaging showing my new design.

The broken lines shown represent unclaimed subject matter and form no part of the claimed design. The shade lines shown represent surface shading and not surface ornamentation, color, or material type. The long-dash short-dash lines show an unclaimed boundary that forms no part of the claimed design. The space between the long-dash short-dash lines and broken lines also forms no part of the claimed design.

**1 Claim, 15 Drawing Sheets**



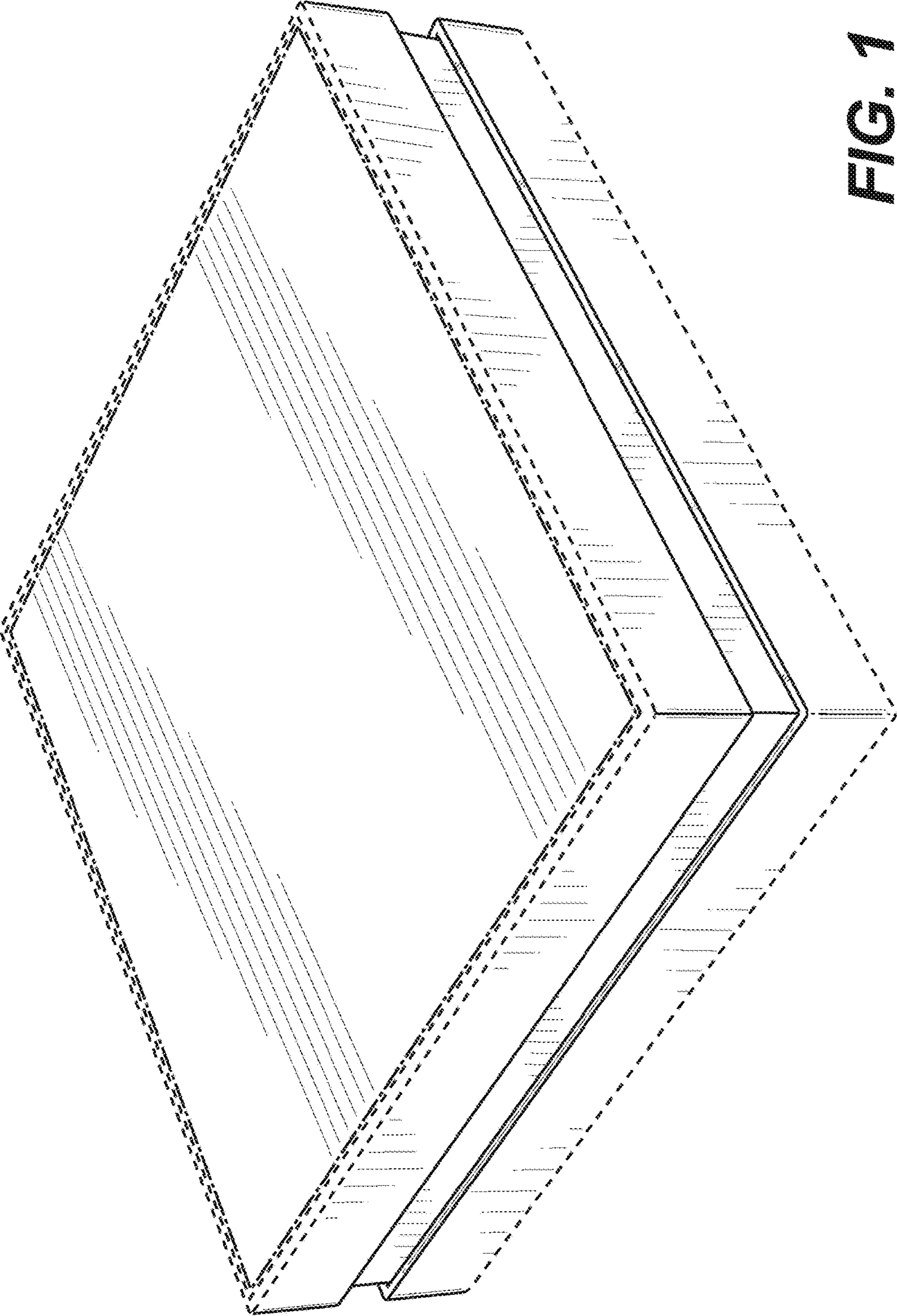
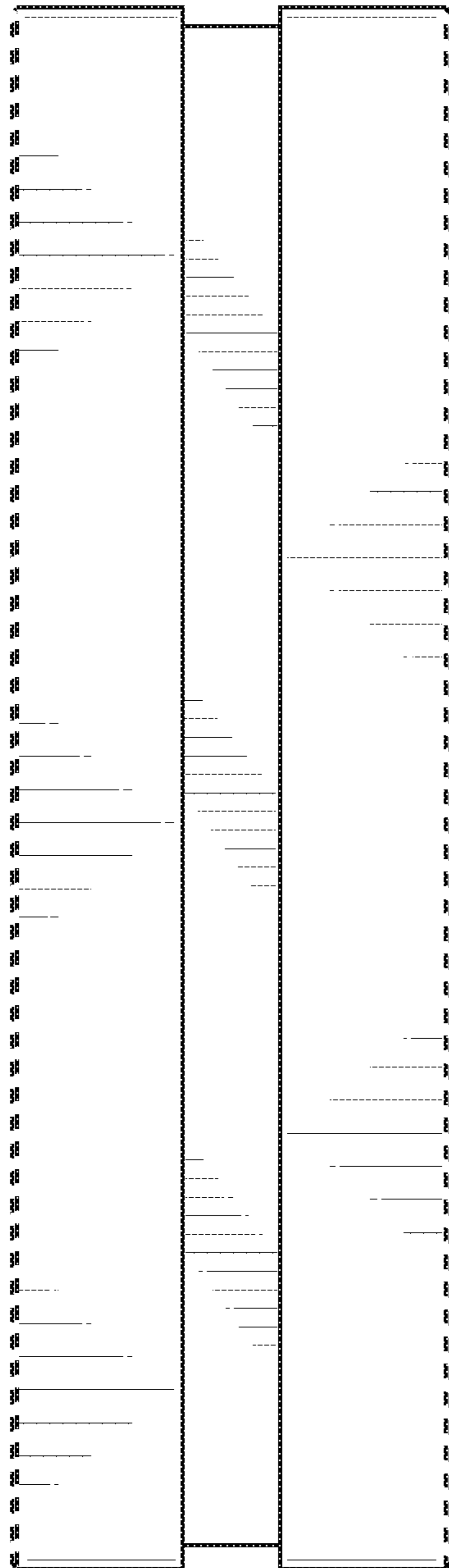
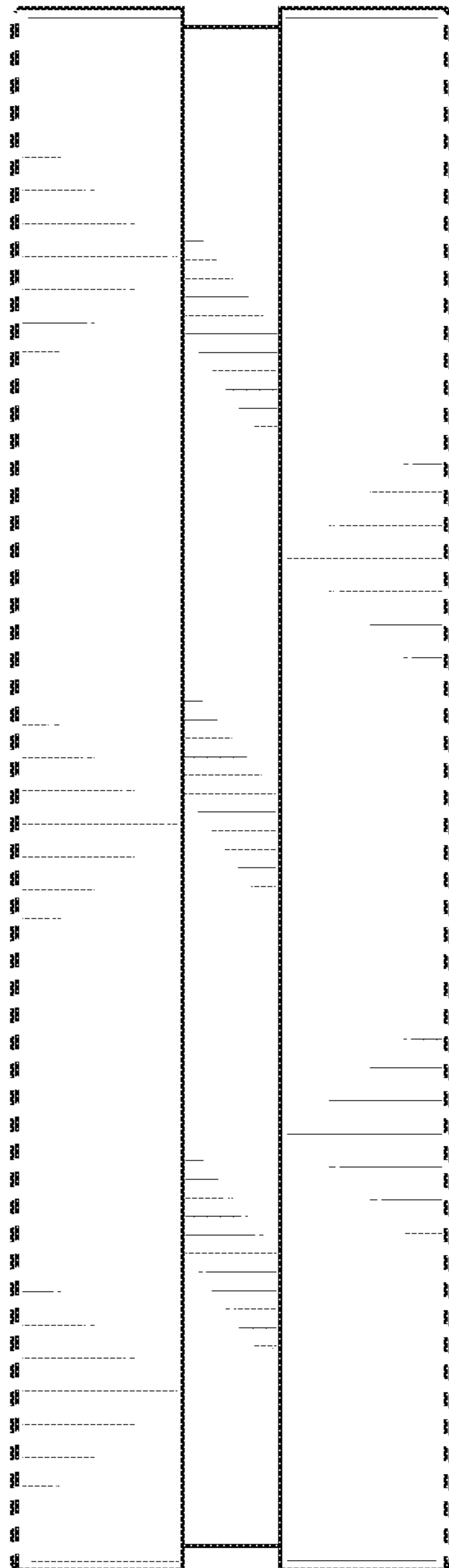


FIG. 1

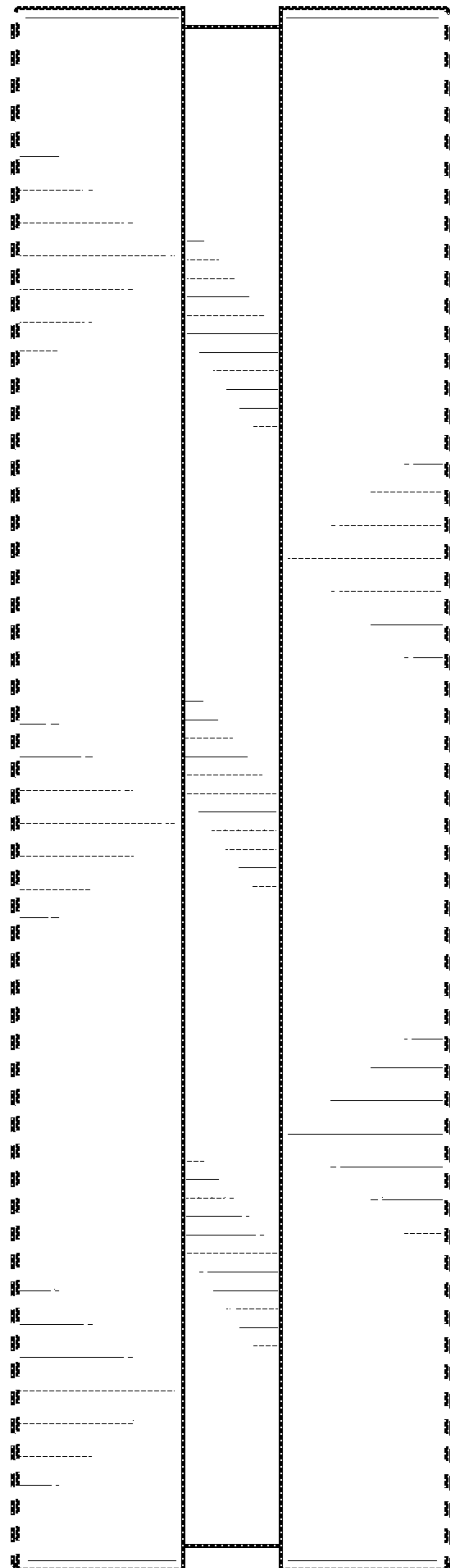


**FIG. 2**

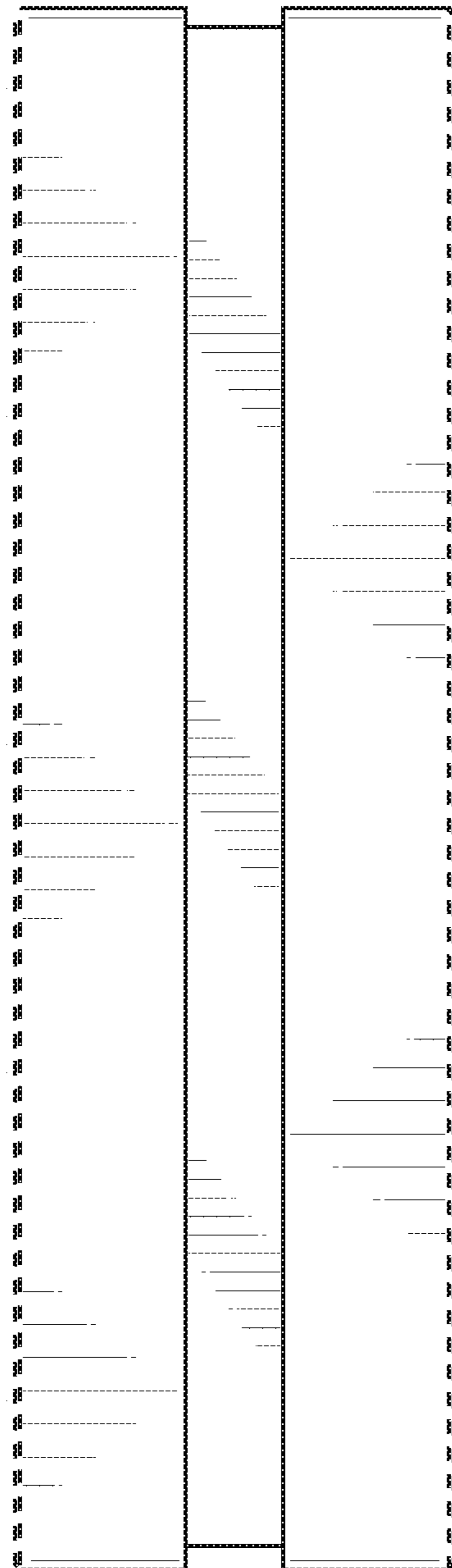


**FIG. 3**



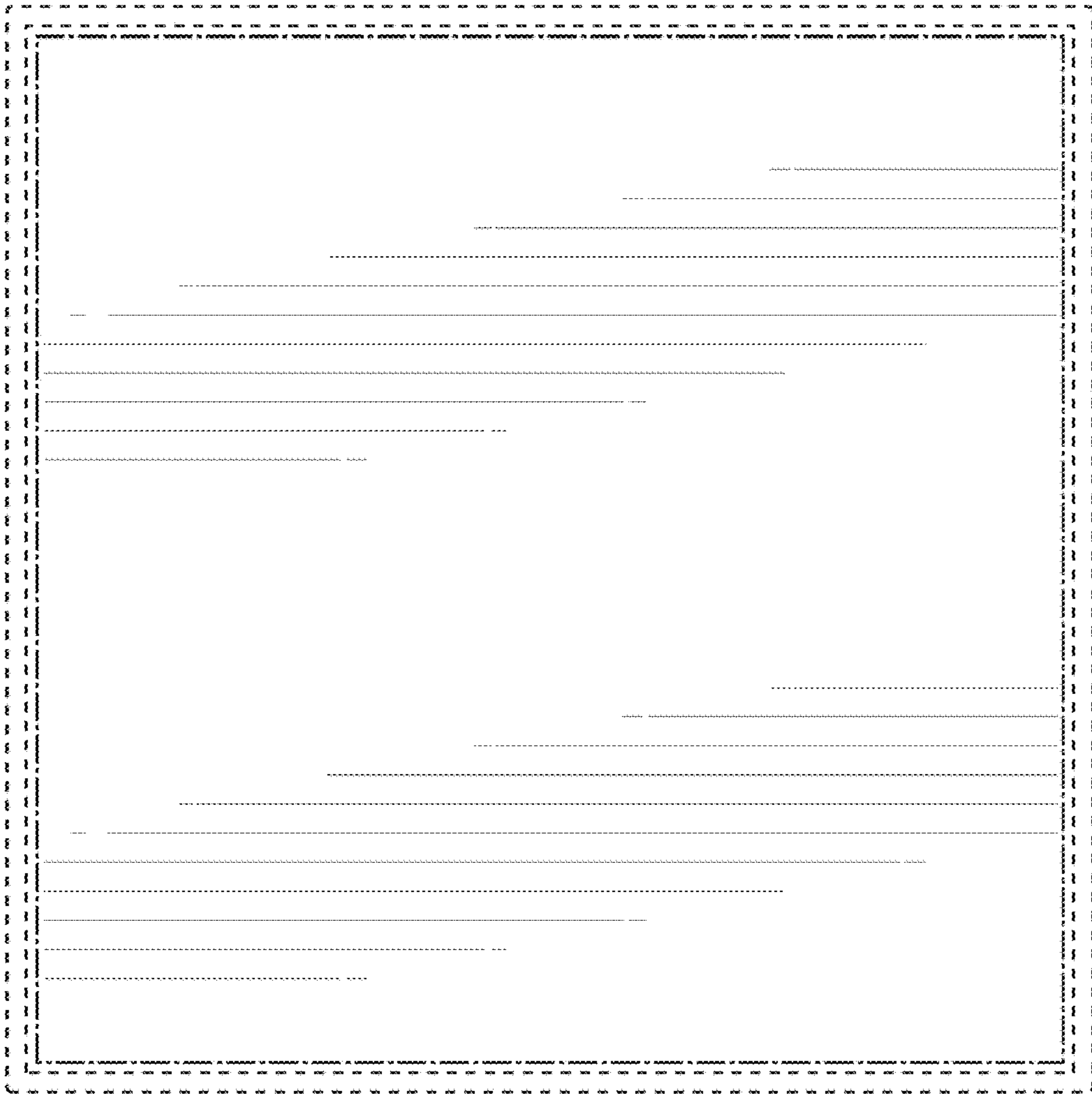


**FIG. 4**

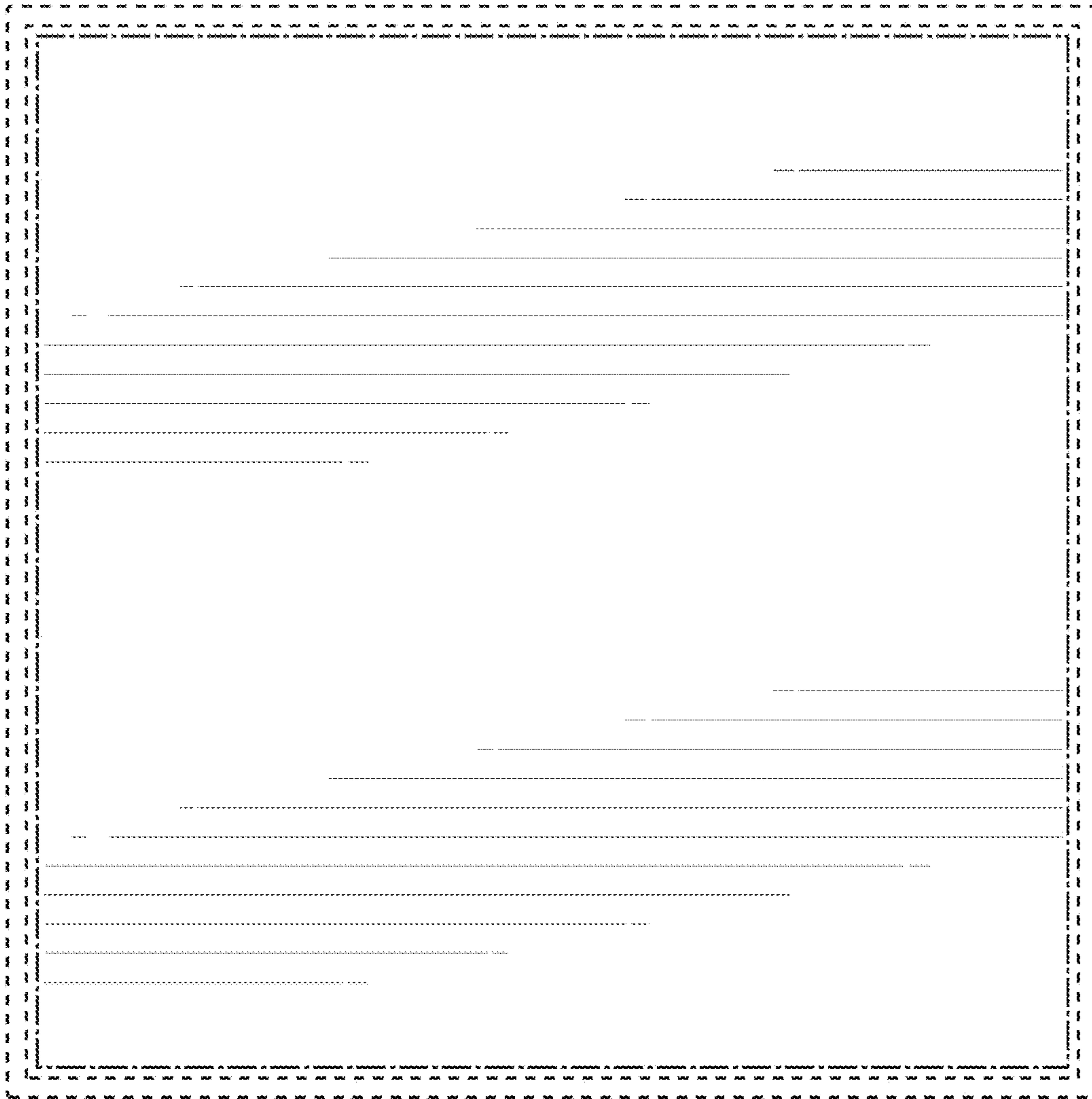


**FIG. 5**



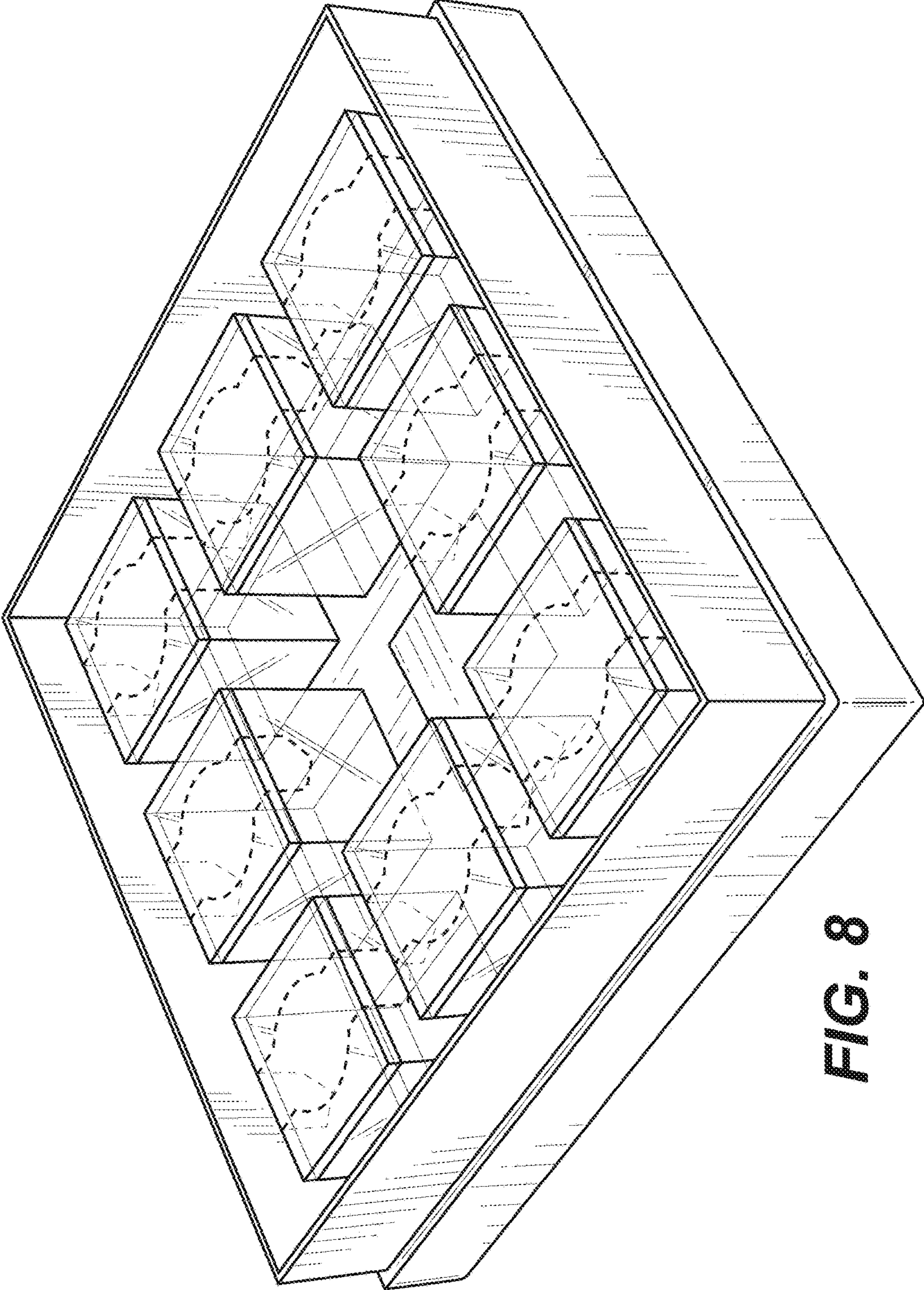


**FIG. 6**

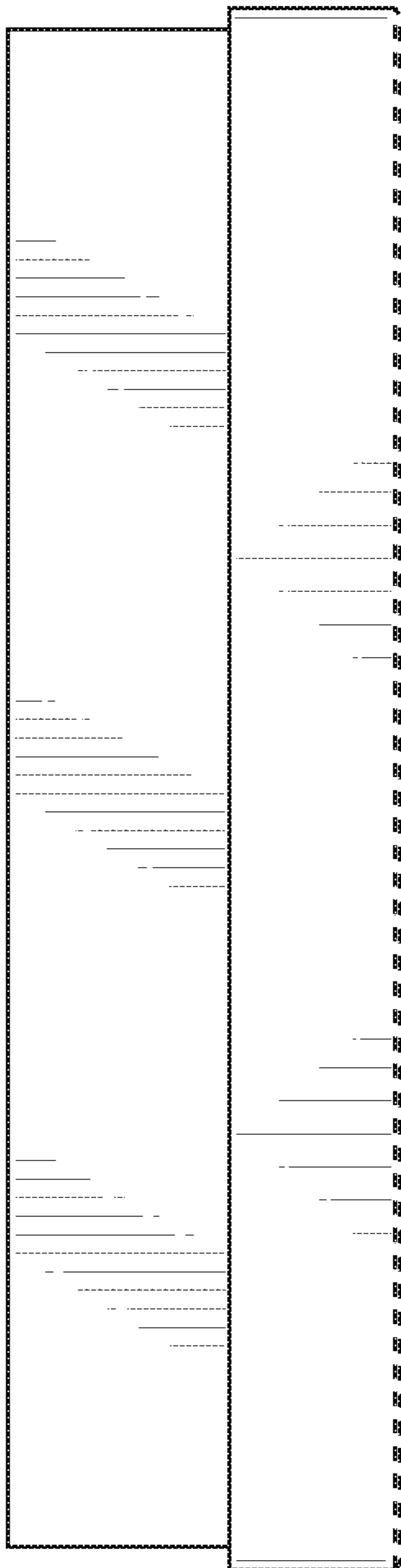


**FIG. 7**



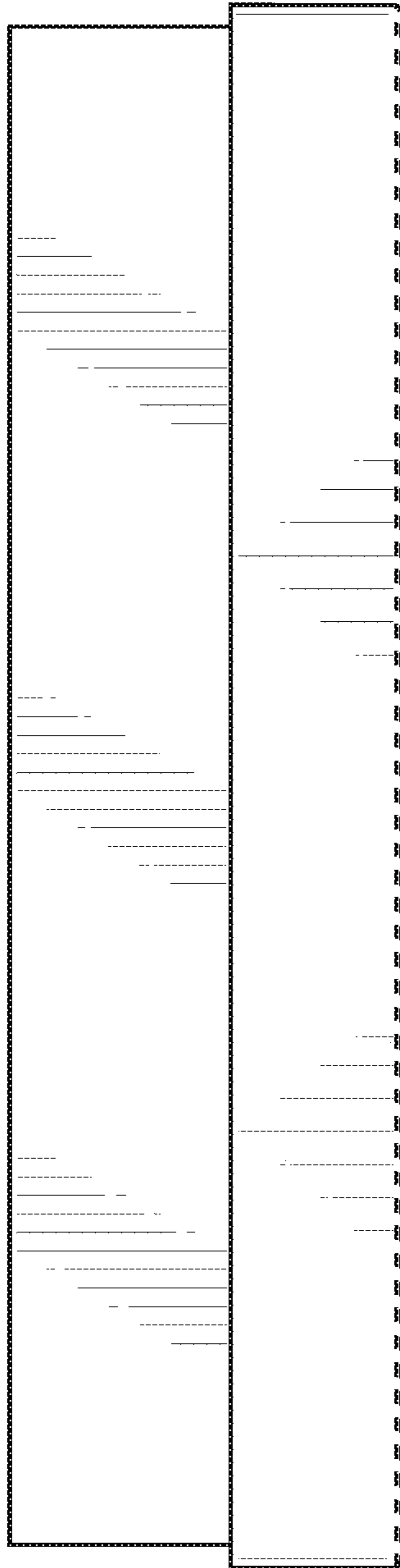


**FIG. 8**

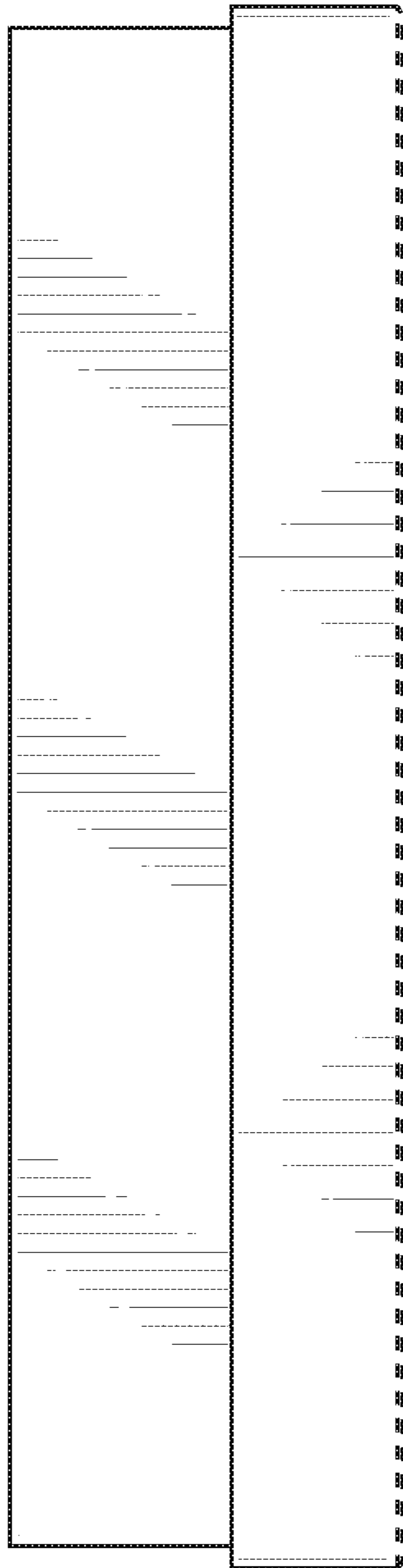


**FIG. 9**

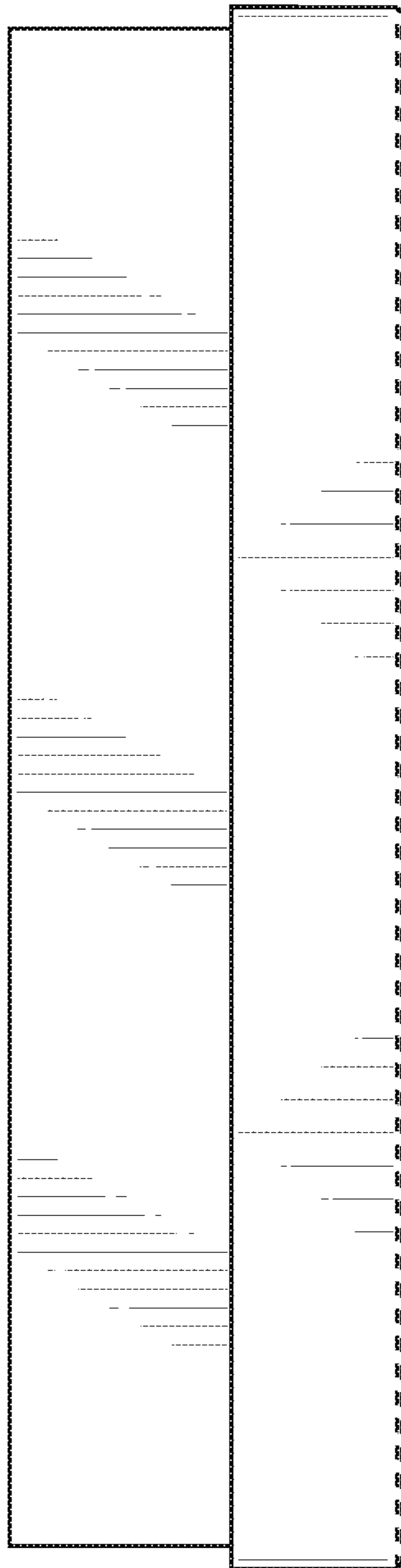




**FIG. 10**



**FIG. 11**



**FIG. 12**



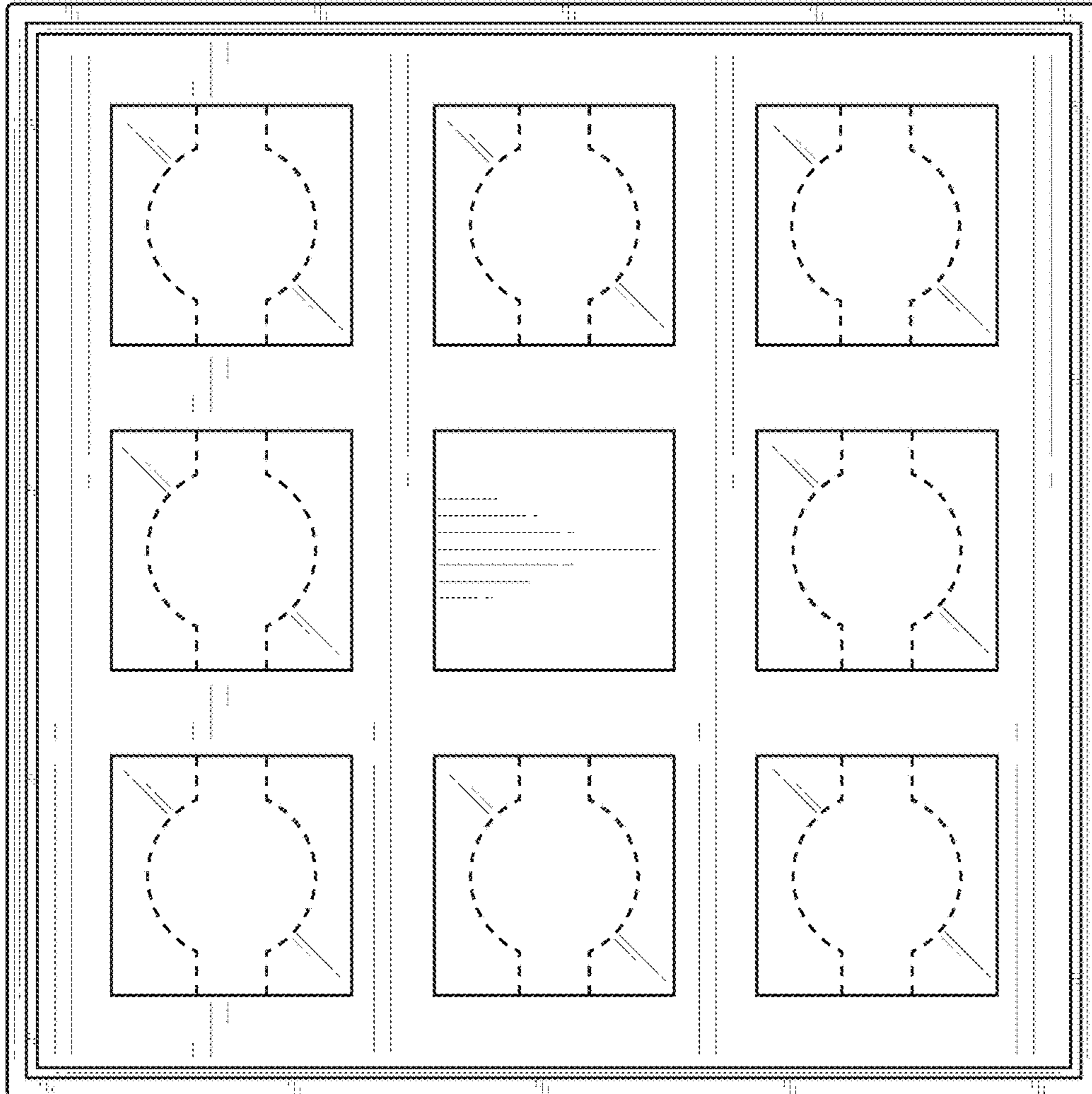
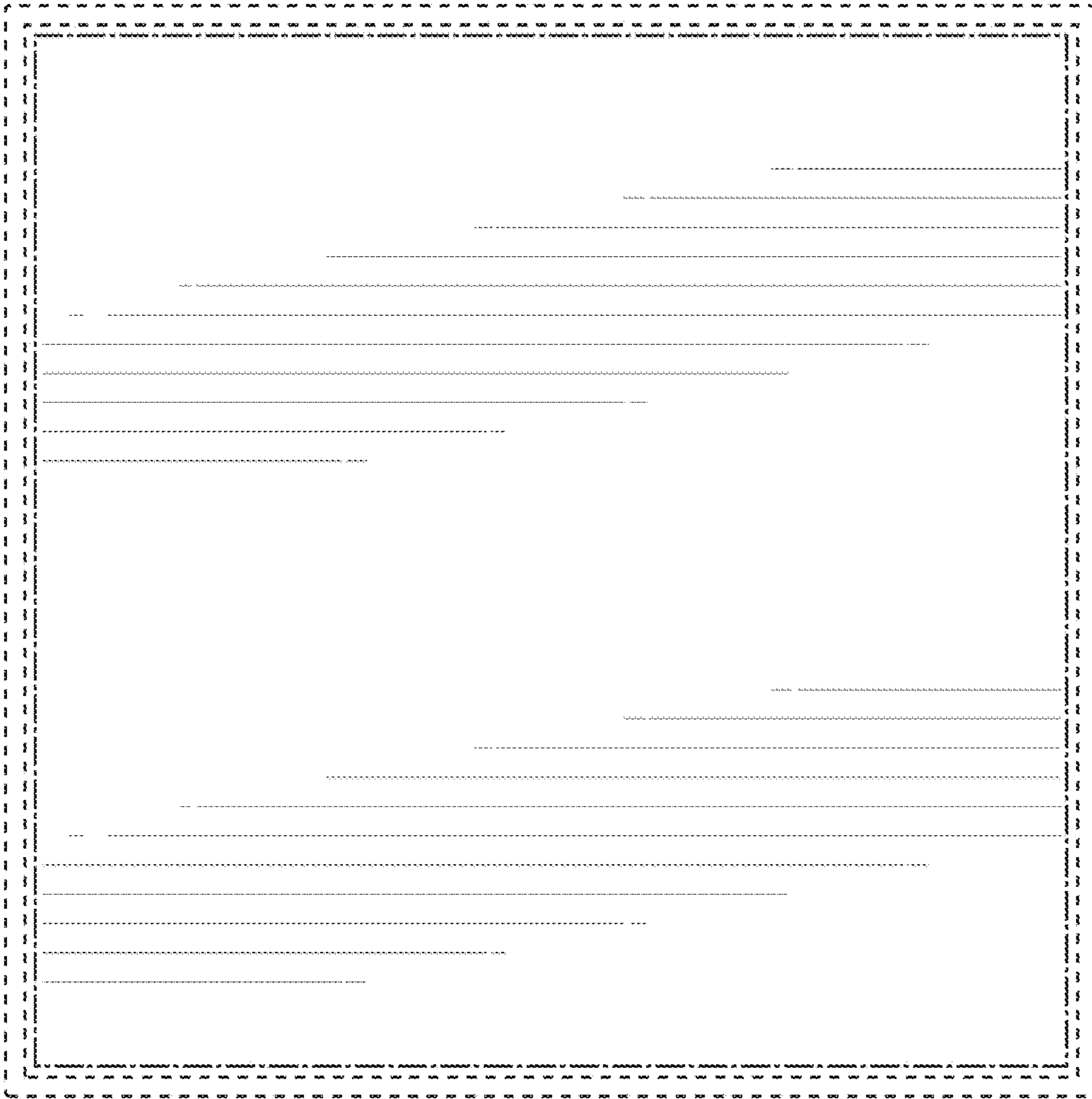
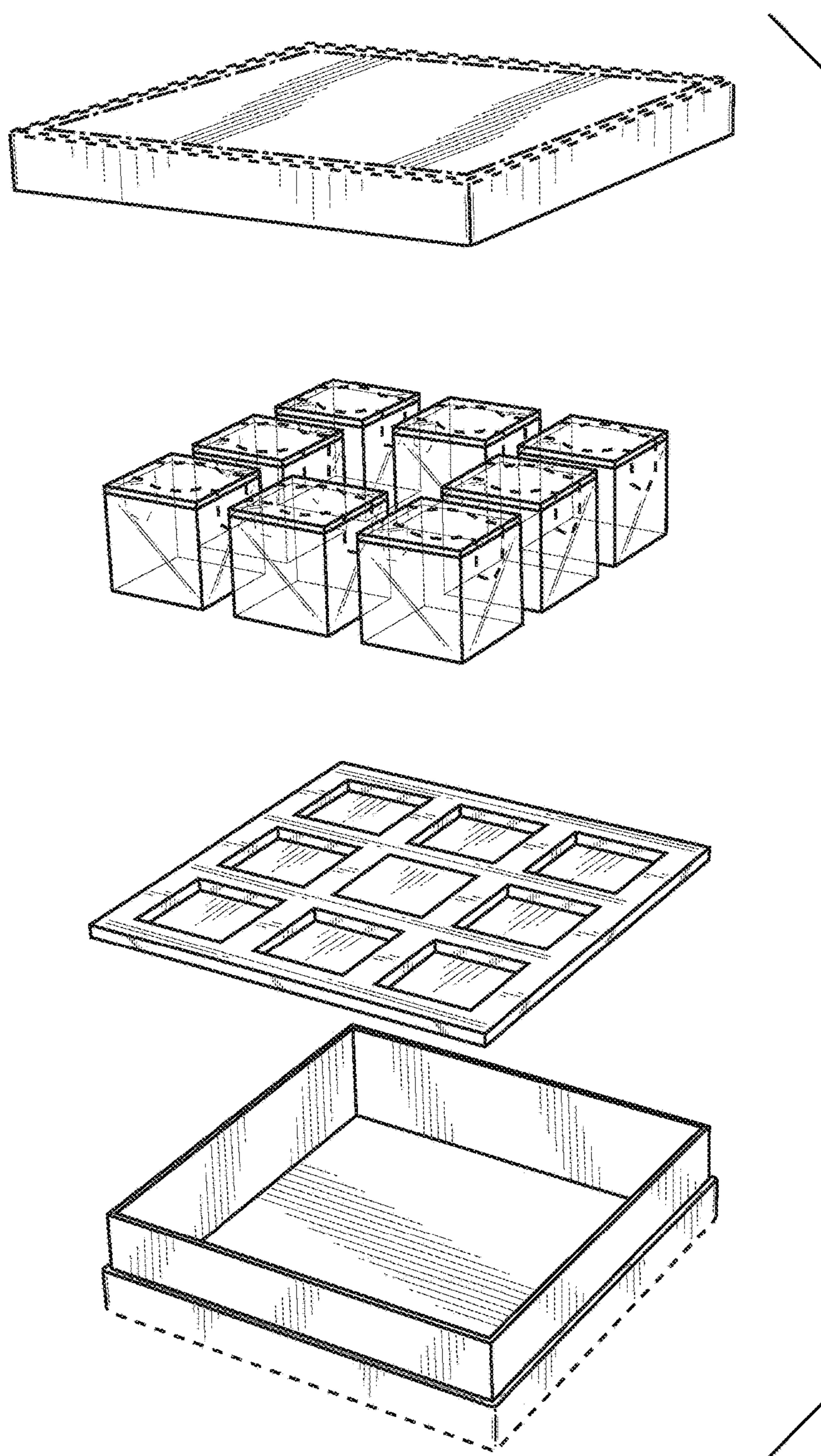


FIG. 13



**FIG. 14**



**FIG. 15**