



US00D864757S

(12) **United States Design Patent**
O'Neill

(10) **Patent No.:** **US D864,757 S**

(45) **Date of Patent:** **** Oct. 29, 2019**

(54) **PACKAGING**

(71) Applicant: **SUGARFINA, INC.**, El Segundo, CA (US)

(72) Inventor: **Rosie Colleen O'Neill**, El Segundo, CA (US)

(73) Assignee: **Sugarfina, Inc.**, El Segundo, CA (US)

(**) Term: **15 Years**

(21) Appl. No.: **29/685,454**

(22) Filed: **Mar. 28, 2019**

Related U.S. Application Data

(63) Continuation of application No. 29/663,539, filed on Sep. 17, 2018, now Pat. No. Des. 848,862, which is (Continued)

(51) **LOC (12) Cl.** **09-03**

(52) **U.S. Cl.**
USPC **D9/737; D9/432**

(58) **Field of Classification Search**
USPC D9/414, 418, 715, 721, 737, 756, 759;
D3/201, 273, 274, 302; D7/629
(Continued)

(56) **References Cited**

U.S. PATENT DOCUMENTS

228,158 A 5/1880 Woods
D36,435 S 7/1903 Daggett
(Continued)

FOREIGN PATENT DOCUMENTS

DE M9202895-0002 9/1992
DE G1997182206 3/1993
(Continued)

OTHER PUBLICATIONS

Chocomize, Candy Cube Boxes, www.chocomize.com/candy-cube-box-9pc.html (Jun. 29, 2017).

(Continued)

Primary Examiner — Lauren R Calve

(74) *Attorney, Agent, or Firm* — Troutman Sanders LLP; James E. Schutz; Chris N. Davis

(57) **CLAIM**

The ornamental design for a packaging, as shown and described.

DESCRIPTION

FIG. 1 is a perspective view of a packaging showing my new design.

FIG. 2 is a left view thereof.

FIG. 3 is a right view thereof.

FIG. 4 is a front view thereof.

FIG. 5 is a rear view thereof.

FIG. 6 is a top view thereof.

FIG. 7 is a bottom view thereof.

FIG. 8 is a perspective view thereof, shown without the top for clarity of illustration.

FIG. 9 is a left view thereof, shown without the top for clarity of illustration.

FIG. 10 is a right view thereof, shown without the top for clarity of illustration.

FIG. 11 is a front view thereof, shown without the top for clarity of illustration.

FIG. 12 is a rear view thereof, shown without the top for clarity of illustration.

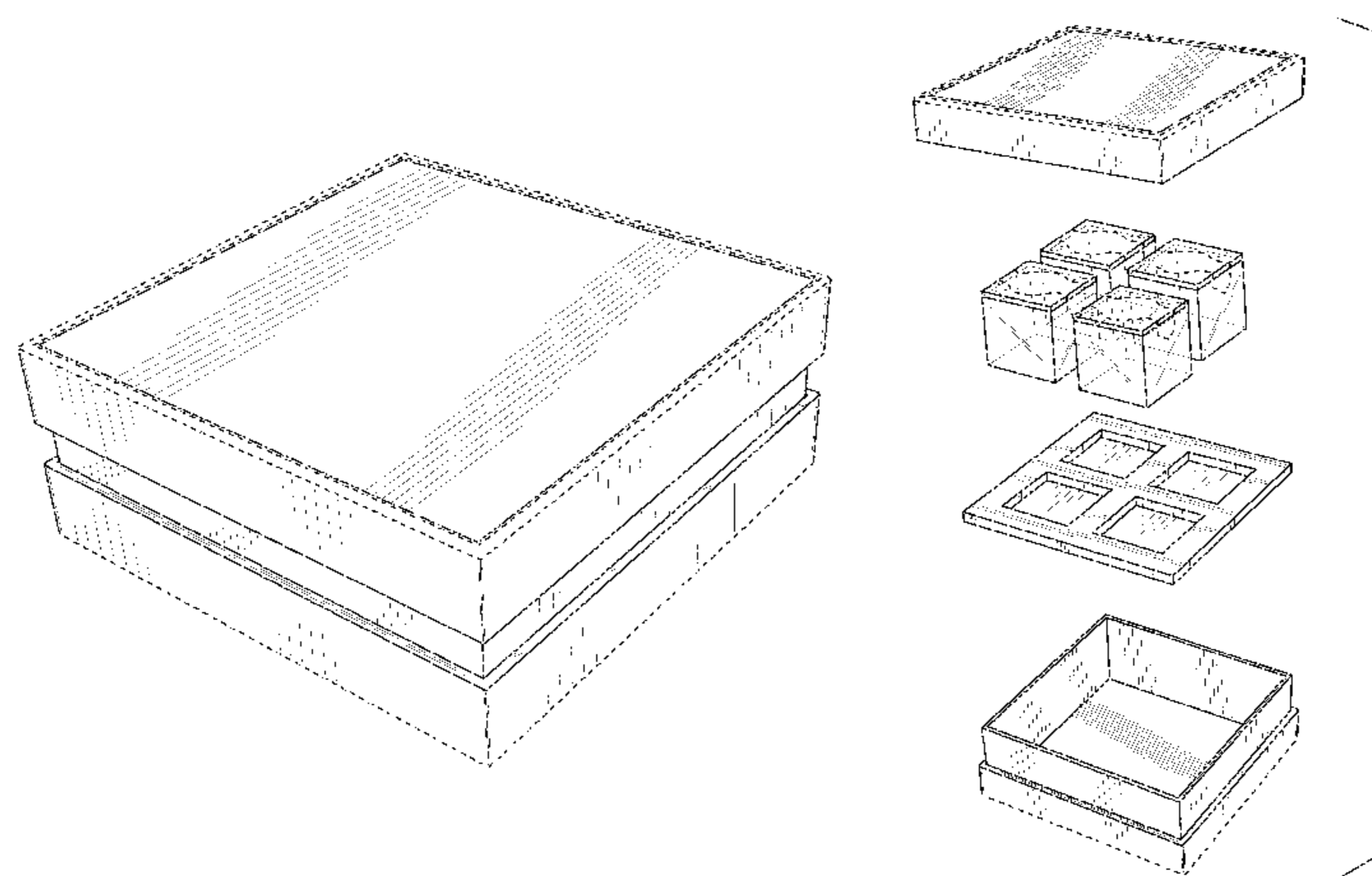
FIG. 13 is a top view thereof, shown without the top for clarity of illustration.

FIG. 14 is a bottom view thereof, shown without the top for clarity of illustration; and,

FIG. 15 is an exploded perspective view of the packaging showing my new design.

The broken lines shown represent unclaimed subject matter and form no part of the claimed design. The shade lines shown represent surface shading and not surface ornamentation, color, or material type. The long-dash short-dash lines show an unclaimed boundary that forms no part of the claimed design. The space between the long-dash short-dash lines and broken lines also forms no part of the claimed design.

1 Claim, 15 Drawing Sheets



Related U.S. Application Data

a continuation of application No. 29/609,560, filed on Jun. 30, 2017, now Pat. No. Des. 845,788.

- (58) **Field of Classification Search**
 CPC .. B65D 5/4204; B65D 5/5021; B65D 5/4208; B65D 85/1045; B65D 5/5035; B65D 5/5213; B65D 5/22; B65D 5/38; B65D 2519/00273; B65D 5/42; B65D 5/5038; B65D 2519/00323; B65D 5/5028; B65D 5/5253; B65D 25/04; B65D 5/5016; B65D 5/68; B65D 85/00; B65D 2543/00194; B65D 2543/00296; B65D 2519/00711; B65D 2519/00034; B65D 2519/00069; B65D 81/368; B65D 21/0233; Y10S 206/804; Y10S 206/82
 See application file for complete search history.

(56) **References Cited**

U.S. PATENT DOCUMENTS

D42,846	S	8/1912	Farrell
1,162,840	A	12/1915	Wood
1,588,857	A	6/1926	Sherman
D71,513	S	11/1926	Austin
1,620,789	A	3/1927	Urban, Jr.
1,697,880	A	1/1929	Peter
1,762,923	A	6/1930	Fegely
D86,128	S	2/1932	Levkoff
1,871,617	A	8/1932	King
1,892,092	A	12/1932	Barad
1,899,547	A	2/1933	Addis et al.
1,994,159	A	3/1935	Wurzburg
D95,429	S	4/1935	James et al.
2,522,049	A	9/1950	Lang
2,541,173	A *	2/1951	Moore B65D 5/38 206/499
2,597,377	A	5/1952	Robinson
2,604,980	A	7/1952	Reid
2,751,135	A	6/1956	Kessler
2,782,951	A	2/1957	Inman
2,790,589	A	4/1957	Moore
3,004,661	A	10/1961	Schumann
3,126,093	A	3/1964	Bradley et al.
3,357,543	A	12/1967	Taggart
3,423,006	A	1/1969	Stedman
3,494,534	A	2/1970	McFarland et al.
3,600,871	A	8/1971	Farquhar
3,660,934	A	5/1972	Pollack et al.
D242,771	S	12/1976	Papillon
D244,085	S	4/1977	Giddings et al.
4,139,096	A	2/1979	Sieger
D258,938	S	4/1981	Spitzer
D260,077	S	8/1981	Burns et al.
4,293,079	A	10/1981	Lytle
D292,876	S	11/1987	Grunhut
D292,877	S	11/1987	Grunhut
4,713,928	A	12/1987	Tisma
4,757,898	A	7/1988	Klein
D307,504	S	4/1990	Silcox
D315,297	S	3/1991	Campbell
D317,717	S	6/1991	Carol
D317,718	S	6/1991	Carol
5,038,940	A	8/1991	Okabe
5,096,056	A	3/1992	Garcia
D327,004	S	6/1992	Nadel
D329,601	S	9/1992	Samelson
D333,615	S	3/1993	Zutler
D335,819	S	5/1993	Campbell
D344,020	S	2/1994	Pavely
5,375,706	A	12/1994	Perez
D361,508	S	8/1995	Schnack
D361,661	S	8/1995	Masuda
D373,723	S	9/1996	Healy
5,555,982	A	9/1996	Kuhn et al.

5,590,786	A	1/1997	Jaycox
5,603,558	A	2/1997	Zimmer
D380,417	S	7/1997	Hardy
D380,926	S	7/1997	Goodburn et al.
5,682,999	A	11/1997	Larson
5,725,144	A *	3/1998	Stone B65D 5/3607 229/101
5,791,468	A	8/1998	House
5,817,510	A	10/1998	Pandey et al.
D411,308	S	6/1999	Pandey et al.
D424,296	S	5/2000	David
D424,425	S	5/2000	Ngai
D426,902	S	6/2000	Hardy et al.
D433,630	S	11/2000	Lubineau-Bigot et al.
6,349,820	B1	2/2002	Kelley et al.
D455,073	S	4/2002	Mizrahi
D464,568	S	10/2002	Sisinni
D464,885	S	10/2002	Weinstein et al.
D468,100	S	1/2003	Bowling
6,533,166	B1	3/2003	Kaiss
D477,911	S	8/2003	Stuart
D492,194	S	6/2004	Kim
D494,862	S	8/2004	Sisinni
6,923,556	B1	8/2005	Baker, III
D510,528	S	10/2005	Funk
D511,681	S	11/2005	Cogley et al.
D521,733	S	5/2006	Kim
D522,376	S	6/2006	Hales
D528,794	S	9/2006	Lanham et al.
D529,378	S	10/2006	Spencer et al.
D536,246	S	2/2007	Schneider
7,264,123	B2	9/2007	Reed
D553,495	S	10/2007	Vandecasteele et al.
D568,765	S	5/2008	Miles
D580,263	S	11/2008	Yi Man
D584,053	S	1/2009	Abdo et al.
D596,485	S	7/2009	Andre et al.
D603,720	S	11/2009	Cesare et al.
D609,116	S	2/2010	Kim
7,757,843	B2	7/2010	Katsis
D621,548	S	8/2010	Chen
D643,306	S	8/2011	Martinez et al.
8,006,842	B1	8/2011	Loughlin, Jr. et al.
D646,984	S	10/2011	Moore et al.
8,109,389	B1	2/2012	Amer
D657,284	S	4/2012	Young
D663,520	S	7/2012	Antler
D664,312	S	7/2012	Bizzle
8,272,509	B1	9/2012	McCutchen
D669,352	S	10/2012	Paslawski
D670,931	S	11/2012	Tapper
D670,932	S	11/2012	Tapper
D673,864	S	1/2013	Read et al.
D675,539	S	2/2013	Biglarians
D682,119	S	5/2013	Buford
D685,578	S	7/2013	Pestell
D686,065	S	7/2013	Kuo et al.
D686,491	S	7/2013	Kuo et al.
D687,321	S	8/2013	Pralus
D690,554	S	10/2013	Presley
D691,465	S	10/2013	O'Brien et al.
D691,900	S	10/2013	Kraus
D698,639	S	2/2014	Fletcher et al.
D698,664	S	2/2014	Abbott
D700,462	S	3/2014	Boos
D704,550	S	5/2014	Mattila et al.
D706,627	S	6/2014	Olsson et al.
D709,305	S	7/2014	Tapper
D709,306	S	7/2014	Tapper
D709,364	S	7/2014	Olsson et al.
D712,176	S	9/2014	Tamilarasan
D712,748	S	9/2014	Akana et al.
D713,739	S	9/2014	Akana et al.
D717,165	S	11/2014	Kwak et al.
D722,870	S	2/2015	Fohner et al.
D728,358	S	5/2015	Belamich
D729,636	S	5/2015	Steinberger
D730,749	S	6/2015	Young et al.
D731,323	S	6/2015	O'Neill

(56)

References Cited

FOREIGN PATENT DOCUMENTS

U.S. PATENT DOCUMENTS

D731,325 S 6/2015 Loessin
 D733,314 S 6/2015 Lui
 D733,315 S 6/2015 Lui
 D733,317 S 6/2015 Lui
 D733,318 S 6/2015 Lui
 9,061,790 B2 6/2015 Yagishita
 D734,075 S 7/2015 Tapper
 D738,721 S 9/2015 Song et al.
 D741,193 S 10/2015 Lohuis et al.
 D748,280 S 1/2016 Lui
 D754,408 S 4/2016 Garrett et al.
 D755,641 S 5/2016 O'Neill
 D756,560 S 5/2016 Ghiotti et al.
 D756,804 S 5/2016 Gross
 D758,191 S 6/2016 Tu et al.
 D763,104 S 8/2016 Akana et al.
 D763,683 S 8/2016 O'Neill
 D763,684 S 8/2016 O'Neill
 D764,911 S 8/2016 Glass et al.
 D768,008 S 10/2016 Akana et al.
 D769,727 S 10/2016 Lohuis et al.
 D769,986 S 10/2016 Ting
 D772,057 S 11/2016 Adams et al.
 D774,388 S 12/2016 Xia
 9,533,791 B2 1/2017 Fath
 D779,879 S 2/2017 Walker
 D780,569 S 3/2017 Bard et al.
 D780,570 S 3/2017 Bard et al.
 D787,186 S 5/2017 Thurbin
 D787,320 S 5/2017 Gill et al.
 D789,752 S 6/2017 Zmrhal et al.
 D798,737 S 10/2017 Miller et al.
 D821,087 S 6/2018 Lihotzky et al.
 D824,777 S 8/2018 Arnett, Jr.
 D826,069 S 8/2018 O'Neill
 10,053,274 B1 8/2018 O'Neill
 D829,569 S 10/2018 O'Neill
 D831,479 S 10/2018 Lylyk
 D833,866 S * 11/2018 Lihotzky D9/432
 D844,454 S * 4/2019 O'Neill D9/737
 D844,455 S * 4/2019 O'Neill D9/737
 D844,456 S * 4/2019 O'Neill D9/737
 D845,787 S * 4/2019 O'Neill D9/737
 D845,788 S * 4/2019 O'Neill D9/737
 D848,862 S * 5/2019 O'Neill D9/737
 2002/0108880 A1 8/2002 Krupa et al.
 2006/0266672 A1 11/2006 Young
 2006/0283733 A1 12/2006 Masa
 2007/0095693 A1 5/2007 DeLuca
 2008/0190788 A1 8/2008 Cziraky
 2009/0242455 A1 10/2009 Adams et al.
 2010/0012672 A1 1/2010 Piron
 2010/0187227 A1 7/2010 Wang
 2011/0174166 A1 7/2011 Sparacio et al.
 2012/0168434 A1 7/2012 Alagarda Cervera et al.
 2012/0168443 A1 7/2012 Maness
 2013/0161378 A1 6/2013 Nebeker et al.
 2013/0240387 A1 9/2013 Pugh
 2013/0248531 A1 9/2013 Lane
 2014/0021086 A1 1/2014 Roesler
 2014/0166736 A1 6/2014 Kato
 2014/0312107 A1 10/2014 Nash
 2015/0093509 A1 4/2015 Kennedy et al.
 2015/0232245 A1 8/2015 Fullan
 2015/0321811 A1 11/2015 Yeung
 2016/0009473 A1 1/2016 Korinek et al.
 2016/0046404 A1 2/2016 Cheeser et al.
 2016/0185511 A1 6/2016 O'Neill
 2016/0264285 A1 9/2016 Madwar et al.
 2017/0050797 A1 2/2017 Farid et al.
 2017/0076343 A1 3/2017 Bernstein et al.
 2017/0138660 A1 5/2017 Huckaby et al.
 2017/0152092 A1 6/2017 Glass et al.

IL 51964 10/2013
 JP 1503649 S 7/2014
 JP 1530877 S 8/2015
 JP 1537477 S 11/2015
 JP 1541182 S 1/2016
 JP 1562136 S 1/2017
 JP D1600162 3/2017
 KR 30-0377284-0000 3/2005
 KR 30-04151920-0000 6/2007
 TW 0199232 5/1988
 TW D119491 10/2007
 TW D186765 S 11/2017

OTHER PUBLICATIONS

MidNite Snax, Signature Sets, http://midnitesnax.com/home_page_files/view/1265/file.pdf (Jun. 29, 2017).
 Sweet Pete's, Build-a-Candy-Cube-Box, <https://www.sweetpetescandy.com/collections/build-a-candy-cube-box> (Jun. 29, 2017).
 Sweet Pete's, Pete's Picks Collection, www.sweetpetescandy.com:80/collections/boxes (Mar. 23, 2016).
 Sweitzer Candy Shop, Gifts, <https://sweitzercandy.com/index.php/gift-boxes.html> (Jun. 29, 2017).
 Sugarfina, Design Your Own Bento, www.sugarfina.com/shop/gift-shop/gift-type/design-your-own-bento (Jun. 29, 2017).
 Sugarfina, Custom Catalogue, <https://issuu.com/sugarfina/docs/2017-corporatecatalog-ppai-webversi> (Jun. 29, 2017).
 Teapressa, Tea + Cube, available at <https://teapressa.com/collections/gifts/products/tea-cube> (Jun. 29, 2017).
 Sweitzer Candy Gift Box 8, available Feb. 21, 2015, [online], [site visited Aug. 2, 2017]. Available from internet, <URL: <https://web.archive.org/web/20150221225755/https://sweitzercandy.com/index.php/gift-boxes.html>, 2 pages.
 Sweitzer Candy Gift Box 4, available Feb. 21, 2015, [online], [site visited Aug. 2, 2017]. Available from internet, <URL: <https://web.archive.org/web/20150221225755/https://sweitzercandy.com/index.php/gift-boxes.html>, 2 pages.
 "A Taste of Paradise," Collection by Sugarfina, available Aug. 2, 2017, [online], [site visited Aug. 2, 2017]. Available from internet, <URL:<https://www.sugarfina.com>, 1 page.
 Cubetas, [online], [site visited Aug. 16, 2017]. Available from internet, <URL:<http://cubetas.jp/>>, 19 pages.
 Bonbonist—<https://thebonbonist.com/>; Oct. 18, 2017, 4 pages.
 Bonbonist Box Photo—Facebook—<https://www.facebook.com/thebonbonist/photos/a.1493876617357861.1073741829.1290401221038736/1493876580691198/?type=3&theater>; Oct. 1, 2017, 1 page.
 Bouquet Bar 3 Piece Box Photo—Instagram—<https://www.instagram.com/p/BPs-h6rBWic/?taken-by=thebouquetbar>; Jan. 25, 2017, 1 page.
 Bouquet Bar 6 Piece Box Photo—"It's Time to Ditch the Red Roses: Six Better Ways to Give Your Valentine Flowers," People Home & Travel; Jan. 31, 2017, 10 pages.
 Bouquet Bar 6 Piece Photo—Instagram—<https://www.instagram.com/p/BP-9I12hV9Q/?taken-by=thebouquetbar>; Feb. 1, 2017, 1 page.
 Chocomize 2 Piece Box—<https://www.chocomize.com/candy-cubes-2pack.html>; Oct. 16, 2017, 4 pages.
 Chocomize 3 Piece Box Photo—Facebook—<https://www.facebook.com/Chocomize/photos/a.423529781180.220124.176532311180/10154561729211181/?type=3&theater>; Nov. 11, 2016, 1 page.
 Chocomize 6 Piece Box—<https://www.chocomize.com/candy-cube-6pcs-box.html>; Oct. 16, 2017, 3 pages.
 Chocomize 9 Piece Box Photo—Instagram—<https://www.instagram.com/p/BI5r4s6BLH7/?taken-by=chocomize>; Aug. 9, 2016, 1 page.
 Chocomize 9 Piece Box Photo—Instagram—<https://www.instagram.com/p/BMpjEEUhpqV/?taken-by=chocomize>; Nov. 10, 2016, 1 page.
 Chocomize 9 Piece Box Photo—Instagram—<https://www.instagram.com/p/BMrp0YdhQeU/?taken-by=chocomize>; Nov. 11, 2016, 1 page.

(56)

References Cited

OTHER PUBLICATIONS

Cubetas 2 Piece and 3 Piece Box Photo—Instagram—<https://www.instagram.com/p/BMyWwq0BQoH/?taken-by=cubetas.2016>; Nov. 14, 2016, 1 page.

Cubetas 2 Piece and 3 Piece Box Photo—Instagram—<https://www.instagram.com/p/BNtkhJpBzYm/?taken-by=cubetas.2016>; Dec. 7, 2016, 1 page.

Cubetas 2 Piece Box Photo—Instagram—<https://www.instagram.com/p/BMQ9Bjihqyz/?taken-by=cubetas.2016>; Nov. 1, 2016, 1 page.

Cubetas 3 Piece Box Photo—Instagram—<https://www.instagram.com/p/BPrxqTThloh/?taken-by=cubetas.2016>; Jan. 25, 2017, 1 page.

Foxes Events 6 Piece Box Photo—Instagram—<https://www.instagram.com/p/BQVMWj7jZke/?taken-by=foxesevents&hl=en>; Feb. 10, 2017, 1 page.

Idea Stage 2 Piece Box—<https://www.ideastage.com/Cube-Shaped-Candy-Set-965458328>; Oct. 13, 2017, 2 pages.

Sugarwish 2 Piece and 4 Piece Boxes—<https://web.archive.org/web/20151201071311/https://sugarwish.com/choose-a-sugarwish>; Dec. 1, 2015, 1 page.

Sweet Lounge 2 Piece Box—<https://www.sweetlounge.co.uk/lounge-box-hello-spring-collection-for-vegans/>; Oct. 16, 2017, 6 pages.

Sweet Lounge 3 Piece and 4 Piece Box Photo—Instagram—https://www.instagram.com/p/BM_eHn6g8Iy/?taken-by=sweetloungeuk; Nov. 19, 2016, 1 page.

Sweet Lounge 3 Piece and 4 Piece Box Photo—Instagram—https://www.instagram.com/p/BMY_iidAMwX/?taken-by=sweetloungeuk; Nov. 4, 2016, 1 page.

Sweet Lounge 4 Piece Box—Instagram—<https://www.instagram.com/p/BNMnfaJgwOo/?taken-by=sweetloungeuk>; Nov. 24, 2016, 1 page.

Sweet Lounge 4 Piece Box—<https://www.sweetlounge.co.uk/lounge-box-hello-spring-collection/>; Oct. 16, 2017, 7 pages.

Sweet Lounge 4 Piece Box Video Snapshots—Facebook—<https://www.facebook.com/sweetloungeuk/videos/vb.670728213008752/1188285557919679/?type=2&theater>; Nov. 16, 2016, 6 pages.

Sweet Pete's 8 Piece Box—www.sweetpetescandy.com/collections/create-a-box; Nov. 18, 2016, 2 pages.

Sweitzer Candy 3 Piece Box Photo—Instagram—<https://www.instagram.com/p/440XveluqO/?taken-by=sweitzercandy>; Jul. 8, 2015, 1 page.

Sweitzer Candy 4 Piece Box Photo—Instagram—<https://www.instagram.com/p/440XveluqO/?taken-by=sweitzercandy>; Apr. 16, 2015, 1 page.

Sweitzer Candy 8 Piece Box Photo—Instagram—<https://www.instagram.com/p/wLDm8Olujs/?taken-by=sweitzercandy>; Dec. 4, 2014, 1 page.

Webb Company 2 Piece Box Photo—Facebook—<https://www.facebook.com/webbcollection/photos/a.376918812240.156708.376836382240/10154628557212241/?type=3&theater>; Oct. 18, 2016, 1 page.

Webb Company 4 Piece Box—<https://www.facebook.com/webbcollection/photos/a.376918812240.156708.376836382240/10154602255037241/?type=3&theater>; Oct. 11, 2016, 1 page.

Weeny Beeny 3 Piece Box Photo—Facebook—<https://www.facebook.com/weenybeeny123/>; Jan. 31, 2017, 1 page.

Weeny Beeny 4 Piece Box Photo—Facebook—<https://www.facebook.com/weenybeeny123/>; Jan. 31, 2017, 1 page.

Sugarfina Partners With Sanrio to Create the Cutest Hello Kitty Candy on the Planet. [online] Published Sep. 17, 2017. Retrieved Nov. 20, 2017 from URL: <https://www.popsugar.com/food/photo-gallery/44018877/image/44018885/Sugarfinas-Pop-Up-Candy-Bento-Box-30>.

Rigid Set-up Box, Wine and Champagne Chocolate Leather Gift Box, Faux Leather, Dark Brown, Qty/CASE-6. [online] Retrieved Nov. 22, 2017 from URL: <https://www.aspecialtybox.com/RG00F-00493-C>.

House Drawer Gift Box/CMXSSGB-10. [online] Retrieved Nov. 22, 2017 from URL: <http://www.charmpackaging.com/special-shape-gift-box/house-drawer-gift-box-cmxssgb-010.html>.

10 fanciest candies from Sugarfina's New York shop—NY; <http://www.nydailynews.com/life-style/eats/10-fanciest-candies-sugarfina-new-york-shop-article-1.2407237>; Oct. 22, 2015; 9 pages.

A Candy Emporium for Adults; <https://www.entrepreneur.com/article/236286>; Aug. 25, 2014; 10 pages.

A Sweet Evening at Sugarfina—SavvySleepers; <https://www.savvysleepers.com/blogs/the-benefits-of-satin/44181636-a-sweet-evening-at-sugarfina>; Aug. 31, 2015; 7 pages.

Candy Critic: Boxes and Boxes of Gummies From Sugarfina; <http://candy-critic.blogspot.com/2013/05/boxes-and-boxes-of-gummies-from.html>; May 2, 2013; 2 pages.

Luxurious One-of-a-Kind Candy Shop Tour With Sugarfina—Best Friends for Frosting; <https://bestfriendsforfrosting.com/2015/11/luxurious-one-kind-candy-sugarfina/>; Nov. 17, 2015; 16 pages.

Drool Worthy Sweets in Cute Packaging Beckon at Sugarfina Candy Shop; <http://www.7x7.com/drool-worthy-sweets-in-cute-packaging-beckon-at-sugarfina-candy-shop-1787196138.html>; Jul. 15, 2015; 4 pages.

Emiiichan Blog_Sugarfina candy order; <https://emiichan.blogspot.com/2014/11/sugarfina-candy-order.html>; Nov. 21, 2014, 18 pages.

Fancy candy brand selects fancier Dallas destination for Texas debut; <http://dallas.culturemap.com/news/restaurants-bars/10-29-15-sugarfina-highland-park-village-market-candy/>; Oct. 29, 2015; 4 pages.

Jonathan Adler Sugarfina Bento Boxes_InStyle.com; <http://www.instyle.com/lifestyle/news/sugarfina-loves-jonathan-adler-collection>; Apr. 11, 2016; 2 pages.

Kasey's Kitchen: Kasey's Favorite Thing #20: Sugarfina; <http://kaseyskitchentv.blogspot.com/2013/12/kaseys-favorite-thing-20-sugarfina.html>; Dec. 17, 2013; 3 pages.

NYC Guide: Sugarfina—York Avenue; <https://yorkavenueblog.com/nyc-guide-sugarfina/>; Oct. 26, 2015; 74 pages.

Rebecca's Delights: Sugarfina Gourmet Candy—Author Rebecca Kelsey Sampson; <http://rebeccakelsey.com/2012/11/rebeccas-delights-sugarfina-gourmet-candy>; Nov. 12, 2012; 6 pages.

People Freaked Out So Hard Trying to Get Rosé Gummy Bears that They Crashed the Website; <https://www.forbes.com/sites/meghancasserly/2013/04/09/sugarfina-facebook-candy-shop-outerspace/#78cb39dd6e74>; Jun. 29, 2016; 14 pages.

Rosie O'Neill of Sugarfina—The Everygirl; <http://theeverygirl.com/rosie-oneill-of-sugarfina>; May 18, 2014; 27 pages.

Sugar & Charm // Sugarfina—Mary Costa Photography; <http://marycostaphotography.com/sugar-charm-sugarfina/>; Apr. 22, 2014; 24 pages.

Sugar Fix: Sugarfina Pasadena; <https://studiodiy.com/2015/07/21/sugar-fix-sugarfina-pasadena/>; Jul. 21, 2015; 15 pages.

Sugarfina—A Unique Candy Boutique at the Americana; <http://www.realmomofsfv.com/2014/06/18/sugarfina-a-unique-candy-boutique-at-the-americana/>; Jun. 18, 2014; 28 pages.

Sugarfina Beverly Hills & Trio of Goodies—Candy Blog; http://www.candyblog.net/blog/item/sugarfina_trio_of_goodies; Dec. 16, 2013; 11 pages.

Sugarfina—Candy Happiness!; <http://luluandlattes.com/2013/06/27/sugarfina-candy-happiness/>; Jun. 27, 2013; 11 pages.

Sugarfina Launches—Atlanta's Lenox Square Just Got Sweeter!; <http://www.momsmagicalmiles.com/sugarfina-launches-atlantas-lenox/>; Nov. 6, 2015; 15 pages.

Sugarfina << MDH Mark D Hogan; <https://markdhogan.wordpress.com/tag/sugarfina/>; Aug. 29, 2013; 7 pages.

Sugarfina Part I—Foodette Reviews; <http://foodettereviews.com/?p=24>; Sep. 10, 2013; 7 pages.

Sugarfina: One Candy-Coated Startup's Plans for a Lucrative Exit—But First a Trip to Space; <https://www.forbes.com/sites/meghancasserly/2013/04/09/sugarfina-facebook-candy-shop-outerspace/#78cb39dd6e74>; Apr. 9, 2013; 6 pages.

Sugarfina Representative Facebook posts; <https://www.facebook.com/Sugarfina/>; 25 pages.

Sugarfina Representative Instagram posts; <https://www.instagram.com/sugarfina/?hl=en>; 40 pages.

Sugarfina Representative Twitter posts; <https://twitter.com/sugarfina>; 91 pages.

Sugarfina: Sampling the Sweets—York Avenue; <https://yorkavenueblog.com/sugarfina-sampling-sweets/>; Sep. 8, 2014; 7 pages.

(56)

References Cited

OTHER PUBLICATIONS

Sugarfina: The Chocolates—Candy Blog; http://www.candyblog.net/blog/item/sugarfina_the_chocolates; Jul. 16, 2013; 11 pages.

Sugarfina: The Gummies—Candy Blog; http://www.candyblog.net/blog/item/sugarfina_the_gummies; Jul. 10, 2013; 11 pages.

Sugarfina—Thrillist LA; <https://www.thrillist.com/eat/los-angeles/we-fed-a-kid-absinthe-candy-here-s-what-happened-thrillist-la>; Dec. 16, 2013; 35 pages.

Talking Shop: Sugarfina—Sugar Paper; <https://sugarpaper.com/blogs/news/87503553-talking-shop-sugarfina>; Feb. 11, 2016; 13 pages.

Treat yourself: SUGARFINA! Twinkie Chan Blog; <http://blog.twinkiechan.com/2012/09/20/treat-yourself-sugarfina/>; Sep. 20, 2012; 13 pages.

Whispering Angel Rosé-Infused Gummy Bears are Summer's Hottest Sweet—The Glamorous Gourmet; <https://theglamorousgourmet.com/whispering-angel-rose-gummy-bears-summertime-hottest-sweet/>; Jul. 31, 2016; 13 pages.

International Search Report and Written Opinion for International Application No. PCT/US2017/057660 dated Jan. 25, 2018, 9 pages.

Translation of Office Action and Search Report for Taiwan Design Patent Application No. 106306912 dated Jun. 12, 2018; 3 pages.

Alto Nivel, Top 10 de Chocolates Gourmet de Lujo (Jun. 26, 2011) (available at <https://www.altonivel.com.mx/estilo-de-vida/top-10-de-chocolates-gourmet-de-lujo/>), 13 pages.

Alto Nivel, Top 10 de Chocolates Gourmet de Lujo (Jun. 26, 2011) (available at <https://www.altonivel.com.mx/estilo-de-vida/top-10-de-chocolates-gourmet-de-lujo/>), machine translation, 12 pages.

Magma Google Group, "Sweet" (Mar. 11, 2011) (available at https://groups.google.com/forum/print/msg/magma-massar/sUT3yoay0mE/5gOUk5AKMzQJ?ctz=4721738_76_76_104100_72_446760), 11 pages.

Yelp photo uploaded by Adam D. on Mar. 8, 2014 (available at https://www.yelp.com/biz_photos/mariebelle-new-york-3?select=ggKtO2Mx-jLH82WREkN7iA), 1 page.

Yelp photo uploaded by Farhana S. on May 25, 2015 (available at https://www.yelp.com/biz_photos/mariebelle-new-york-3?select=bewjLhJxzOfxHTN2m0-Ghg), 1 page.

Yelp photo uploaded by Amy K. on Feb. 20, 2016 (available at https://www.yelp.com/biz_photos/mariebelle-new-york-3?select=aSrM2Gu_DuexeX67uD4p9Q), 1 page.

Yelp photo uploaded by Adrienne D. on Nov. 8, 2016 (available at https://www.yelp.com/biz_photos/mariebelle-new-york-3?select=tEA9kZR4JsKFdBSu8uSIIQ), 1 page.

Yelp photo uploaded by Dani V. on Jan. 4, 2007 (available at https://www.yelp.com/biz_photos/mariebelle-new-york-3?select=5MkHMGtiRD-hWFLhdHlvKg), 1 page.

Banat-Style.com, Mar. 1, 2010 (available at <http://forums.banat-style.com/arabgirlsfashion143108/>), 46 pages.

Mariebelle.com archived webpage (available at <https://web.archive.org/web/20070624034428/http://www.mariebelle.com/category.cfm?showCategoryID=12>), purported by the Internet Archive WayBack Machine to have been publicly available Jun. 24, 2007, 1 page.

* cited by examiner

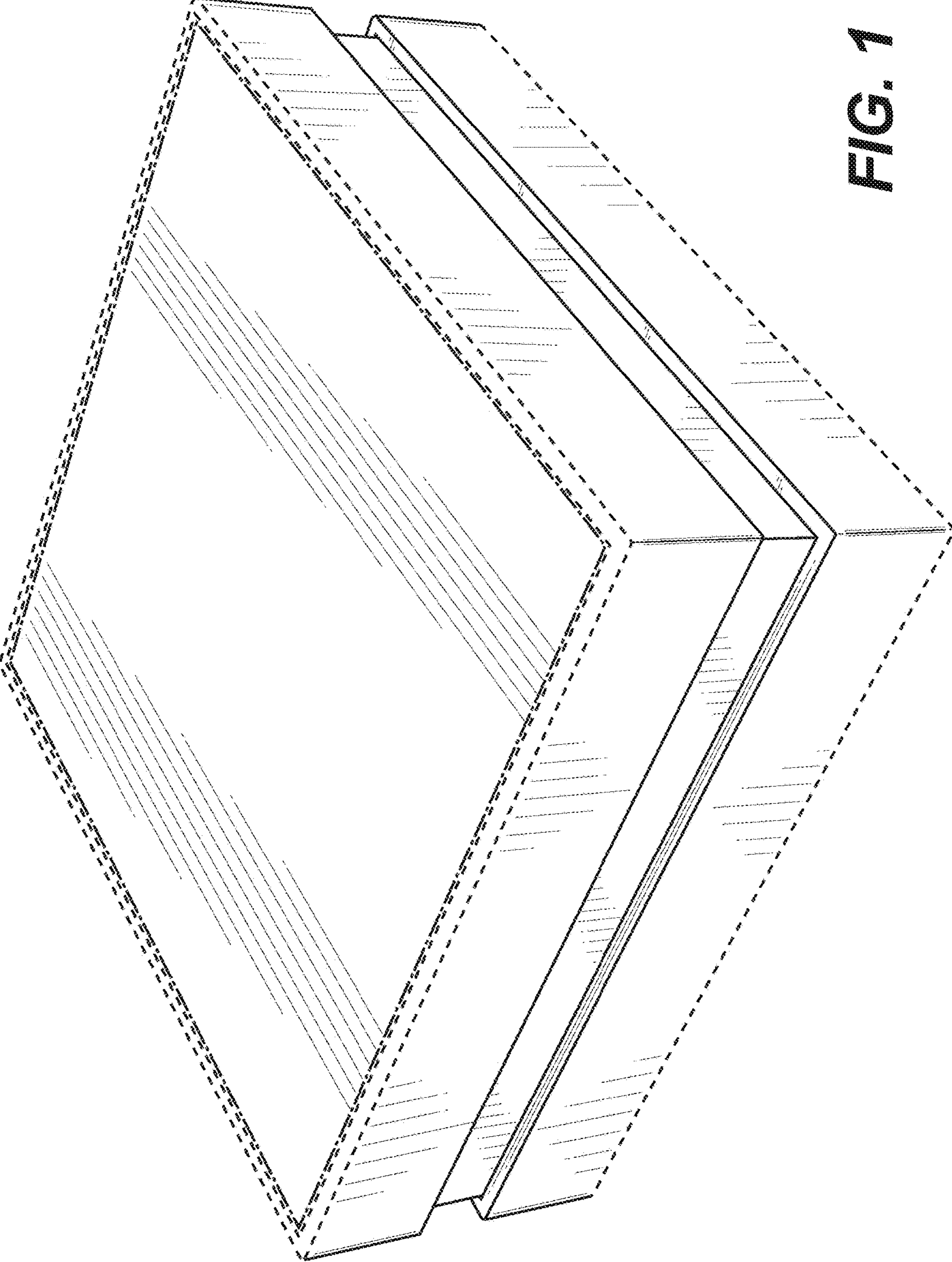


FIG. 1

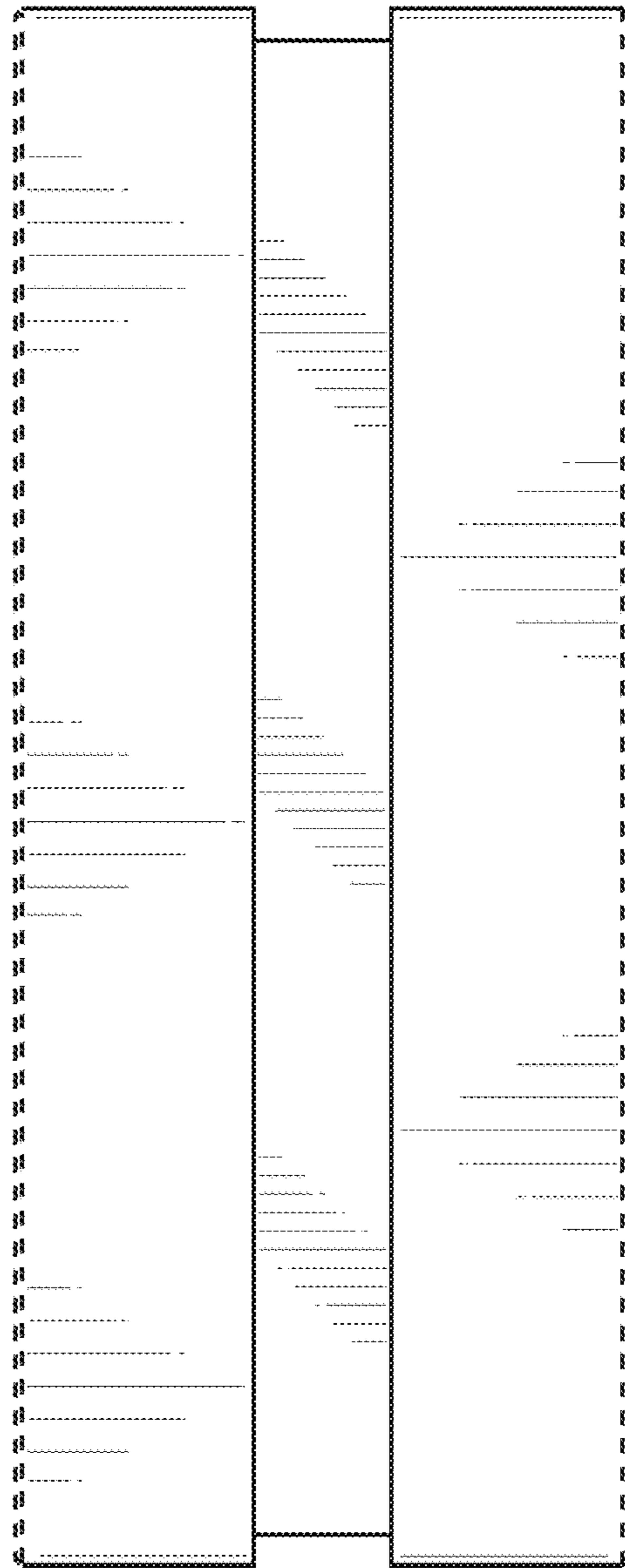


FIG. 2

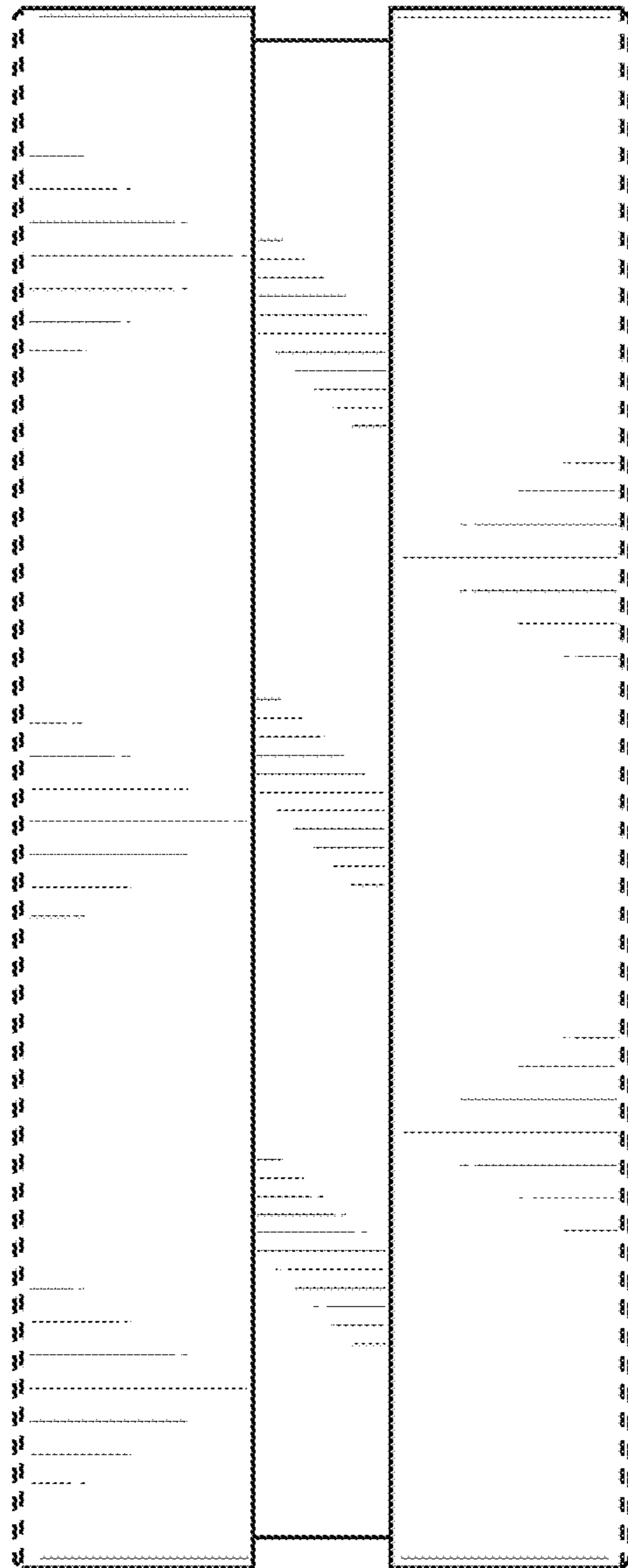


FIG. 3

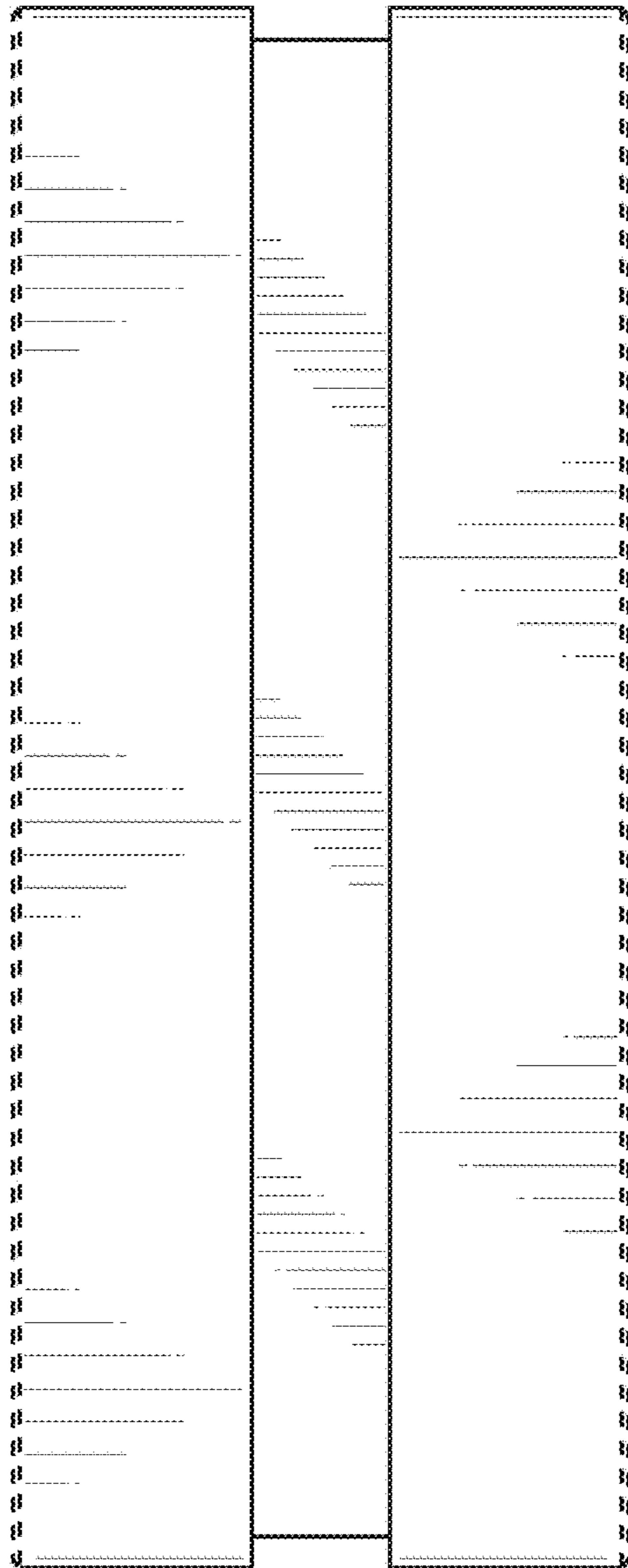


FIG. 4

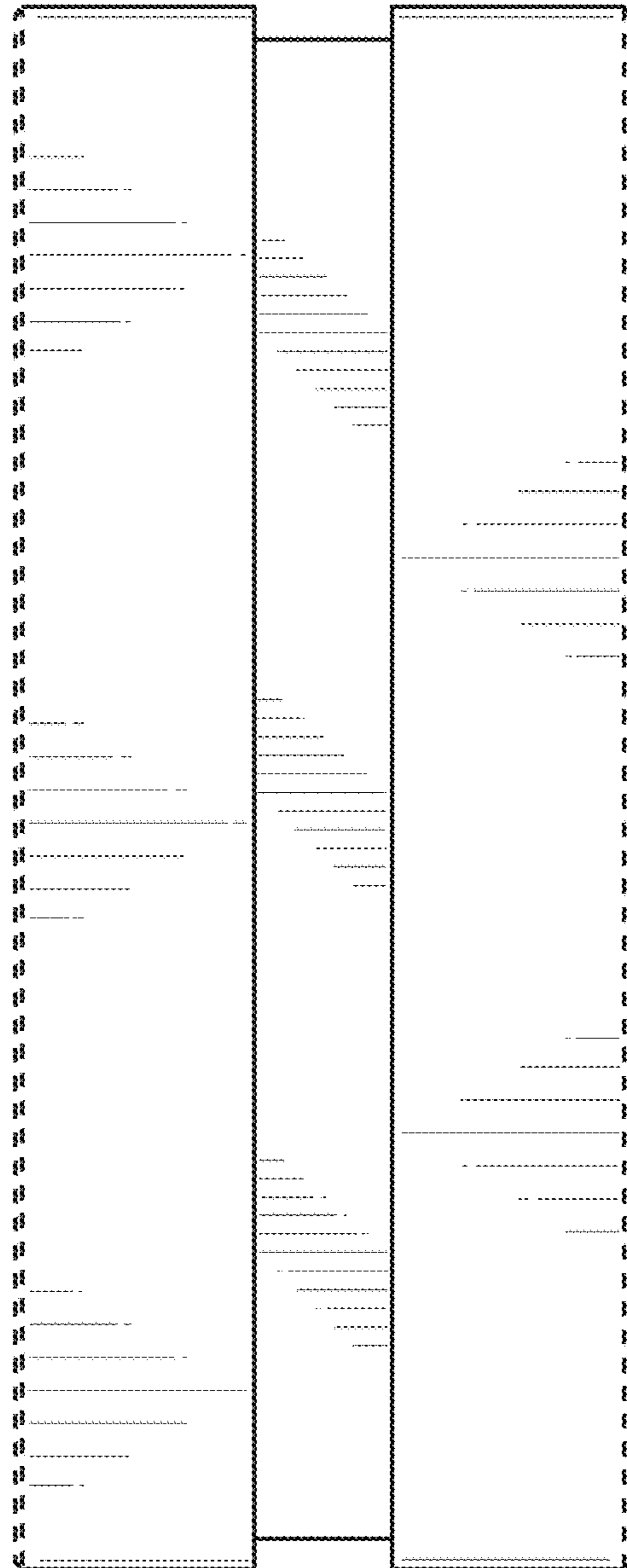


FIG. 5

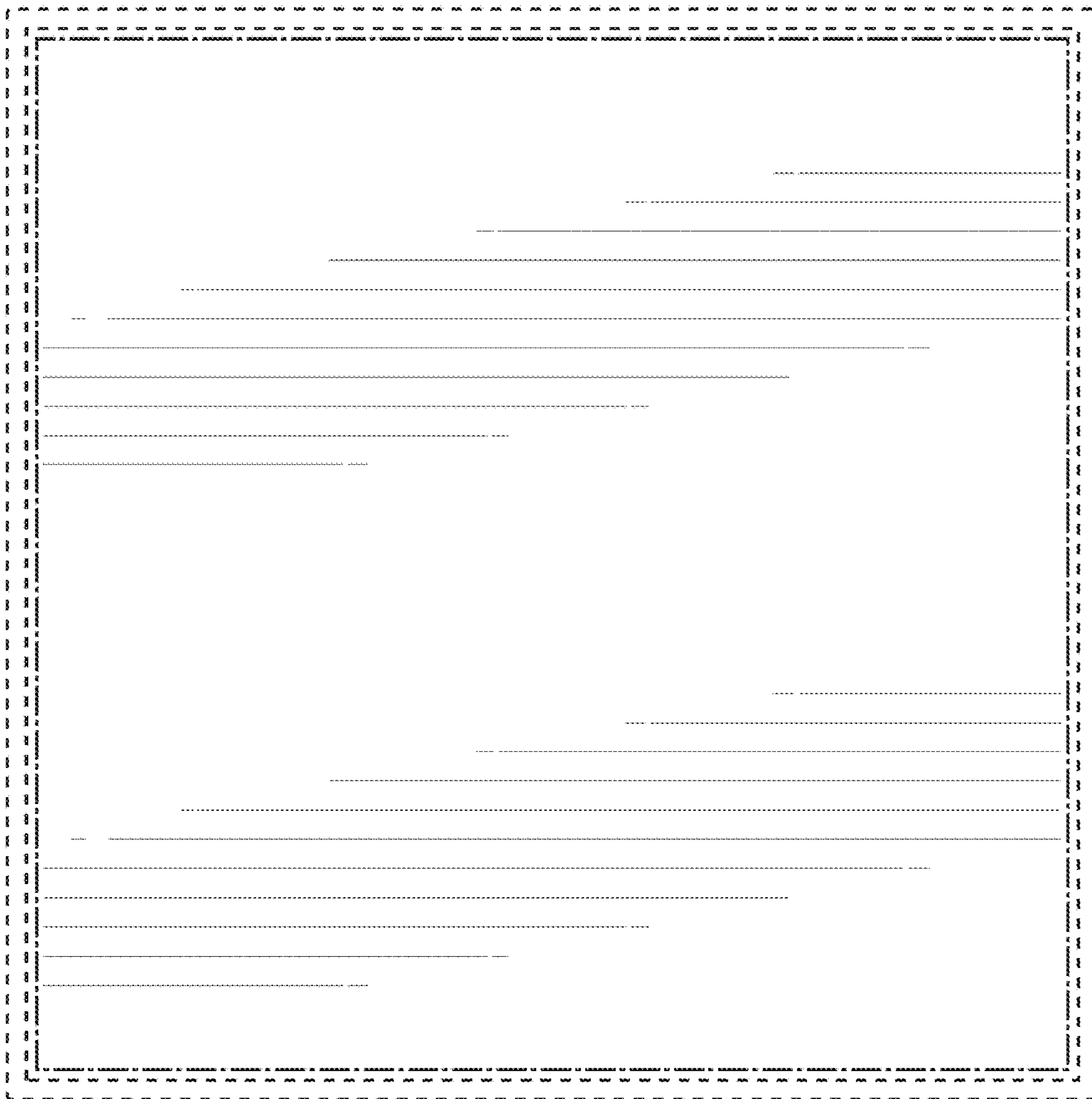


FIG. 6

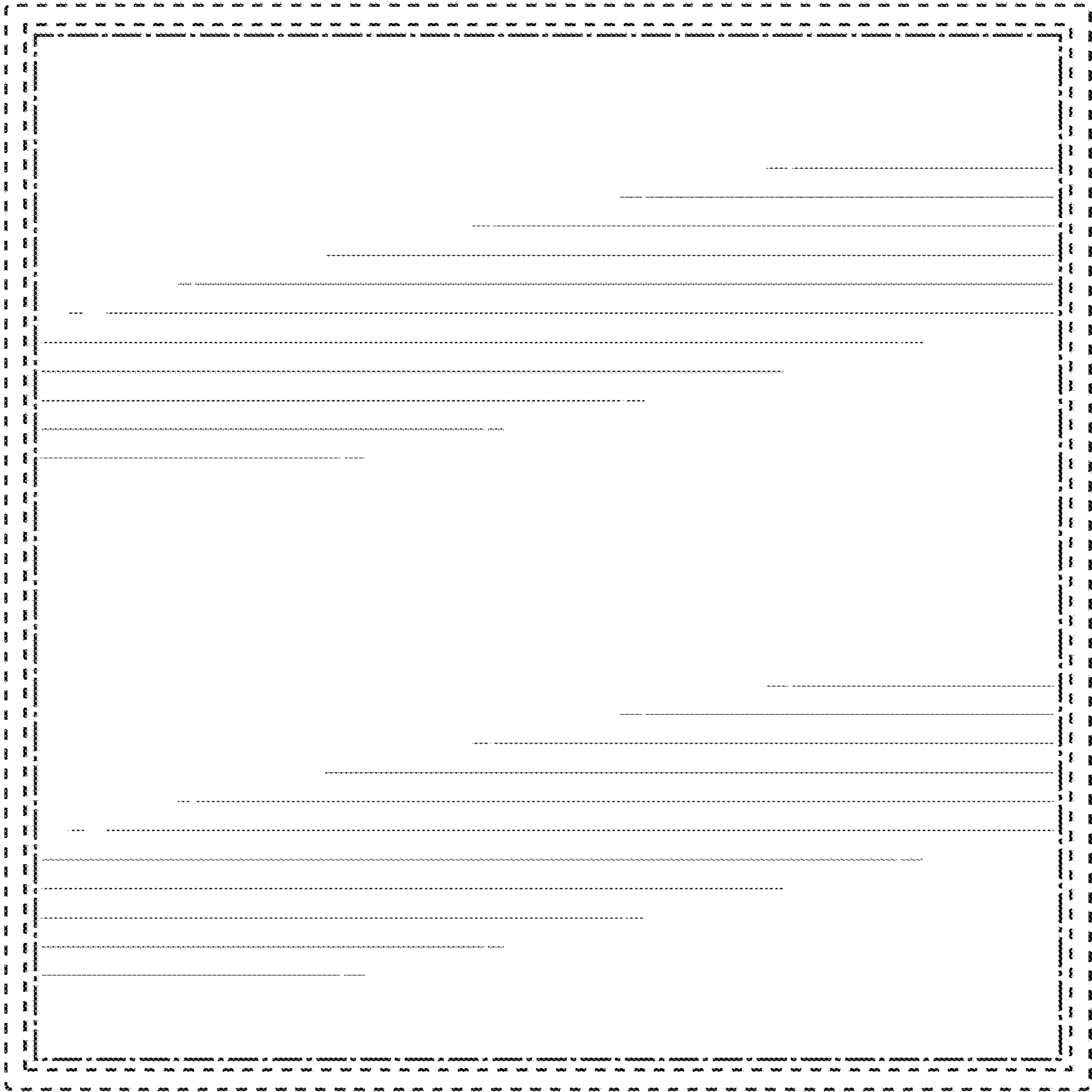


FIG. 7

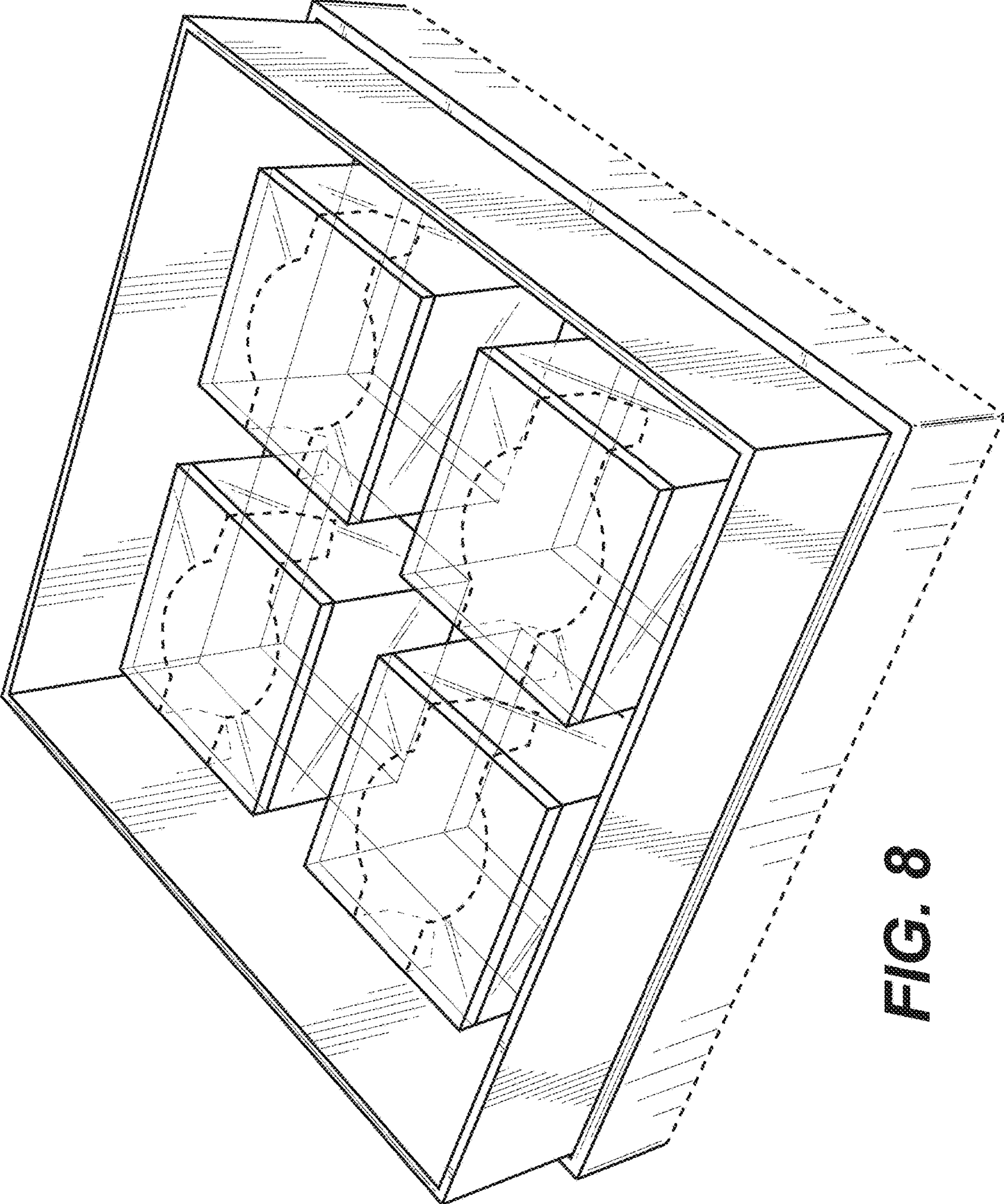


FIG. 8

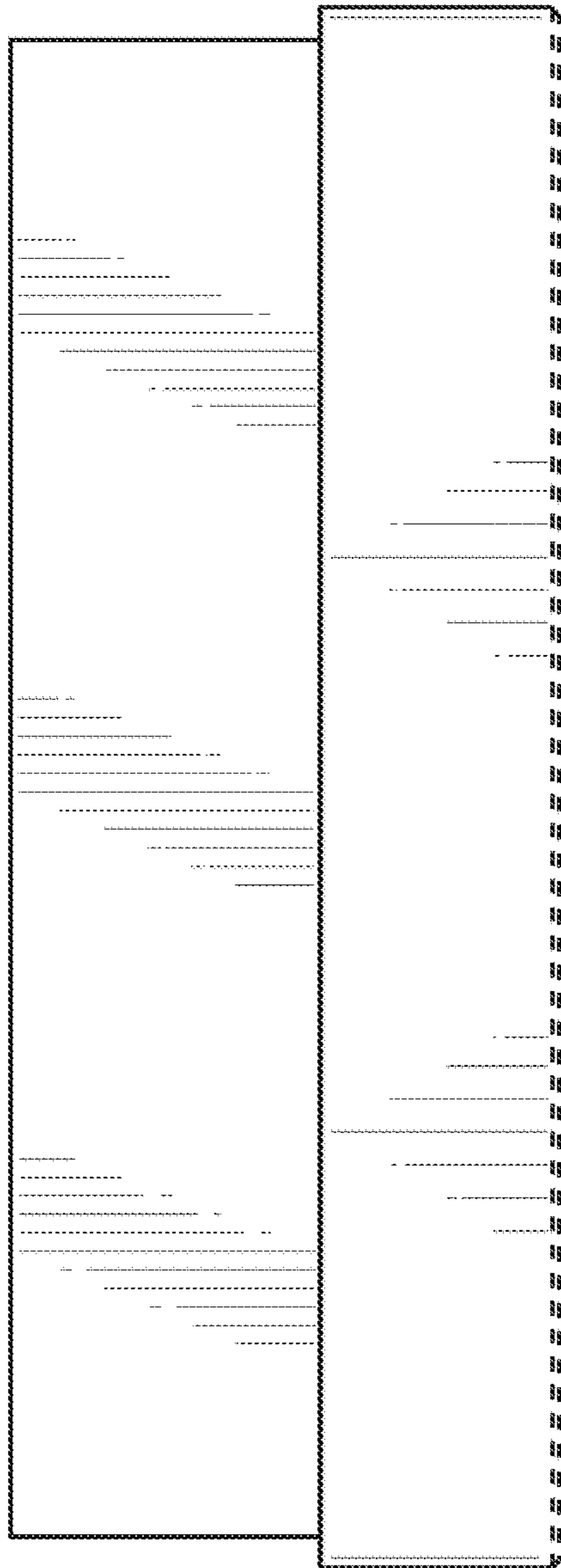


FIG. 9

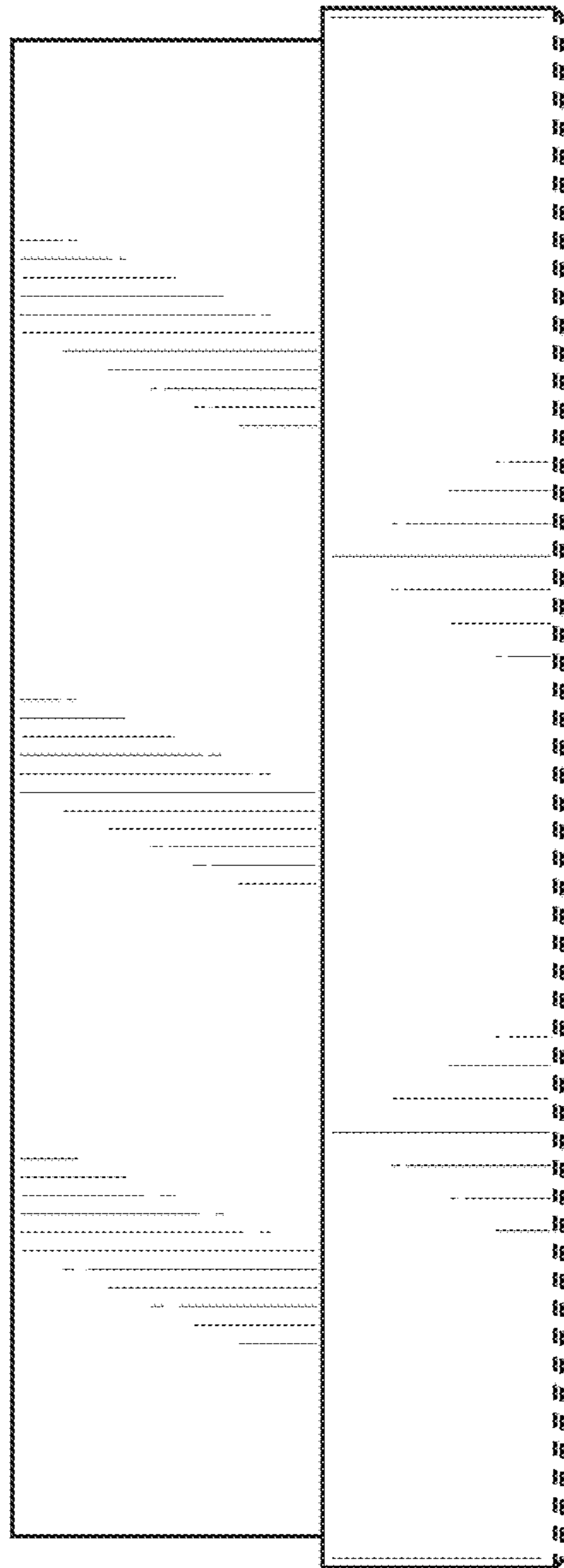


FIG. 10

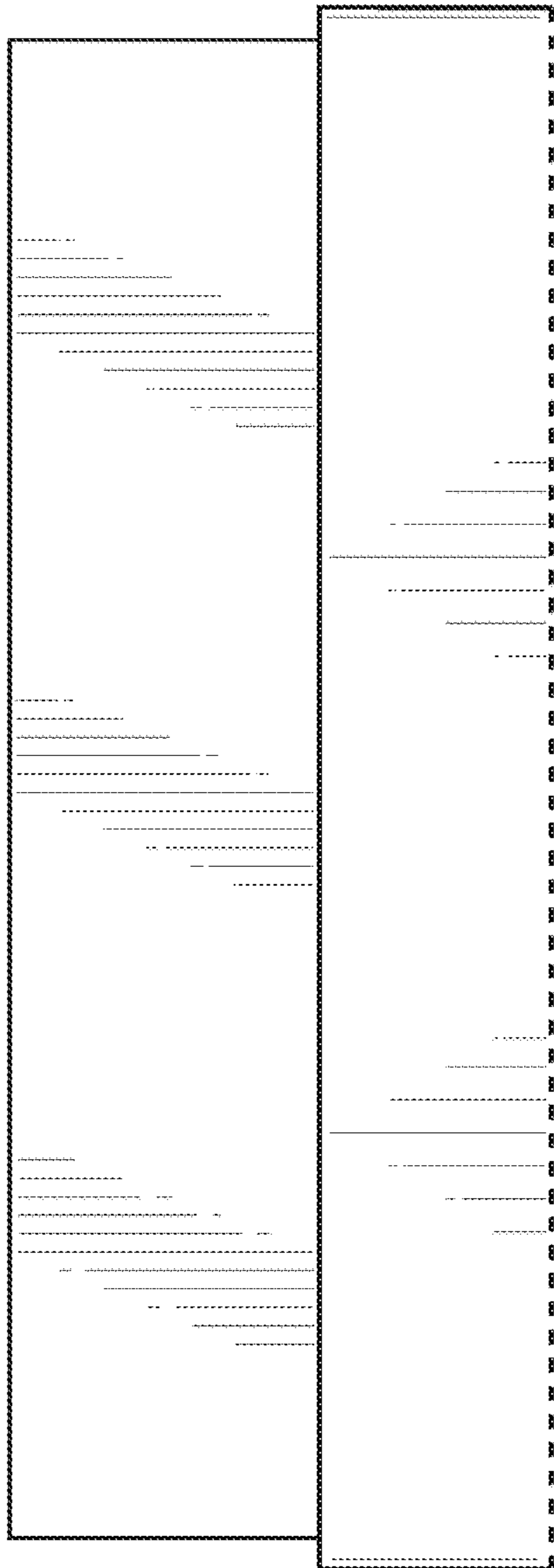


FIG. 11

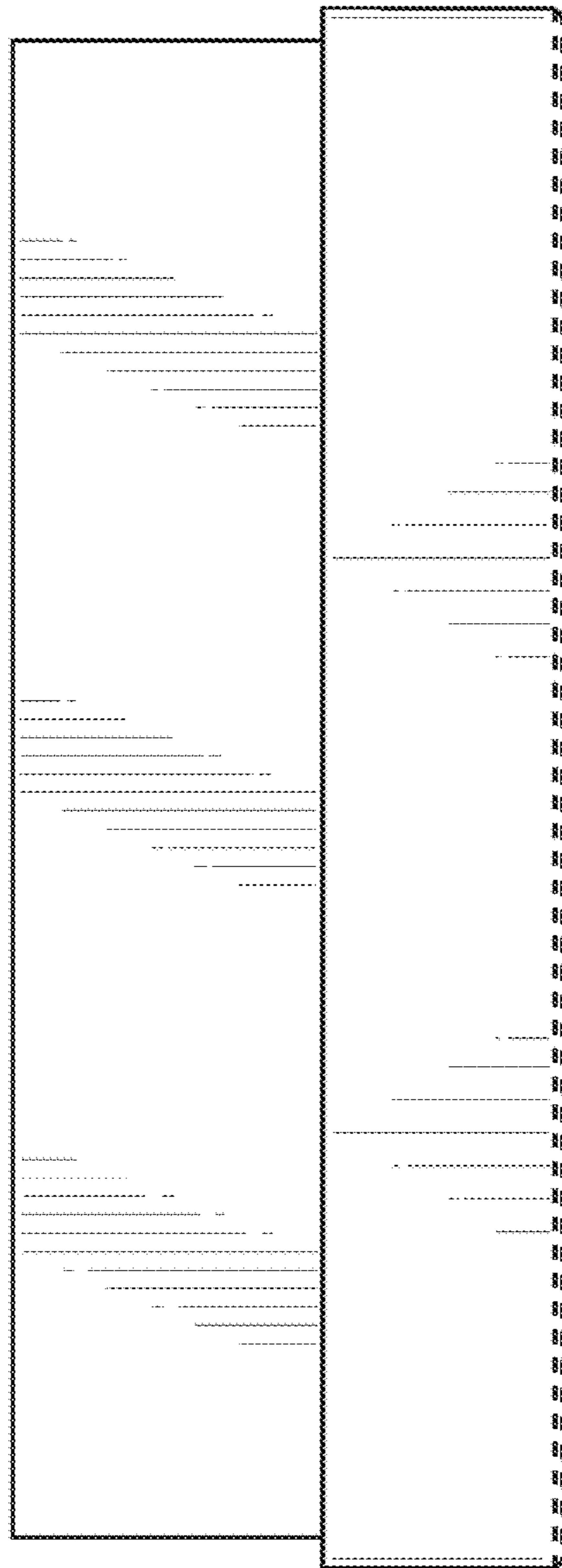


FIG. 12

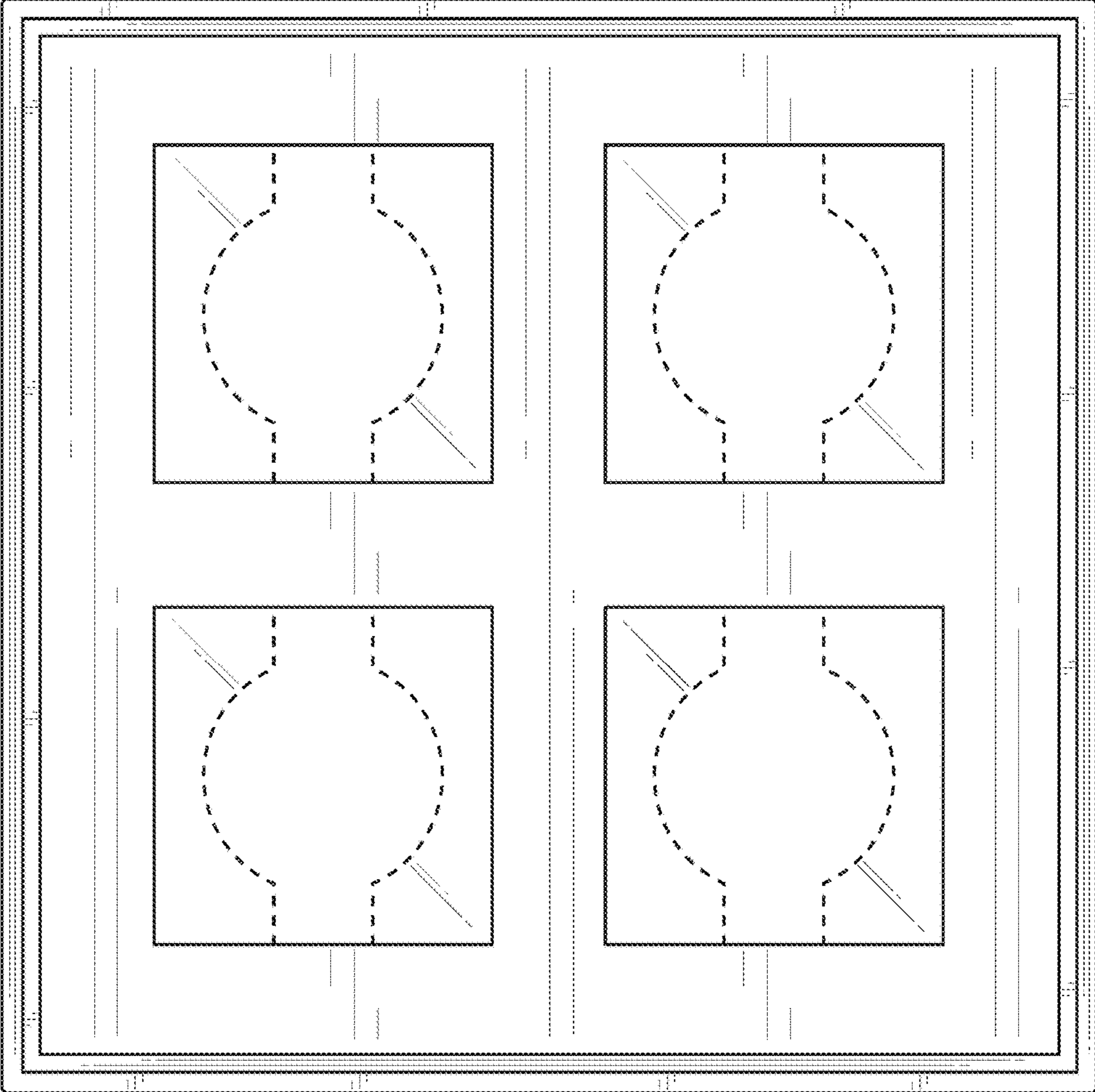


FIG. 13

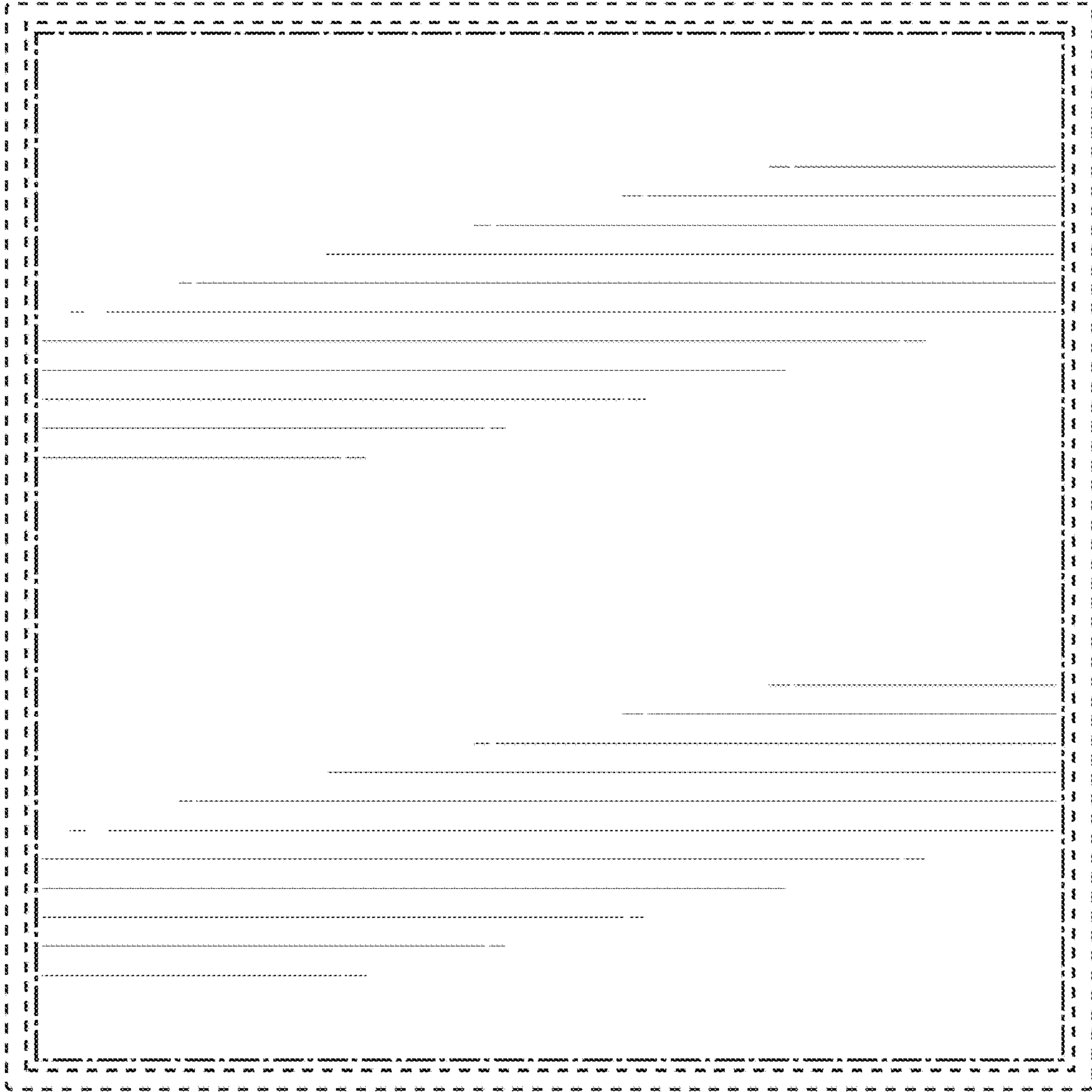


FIG. 14

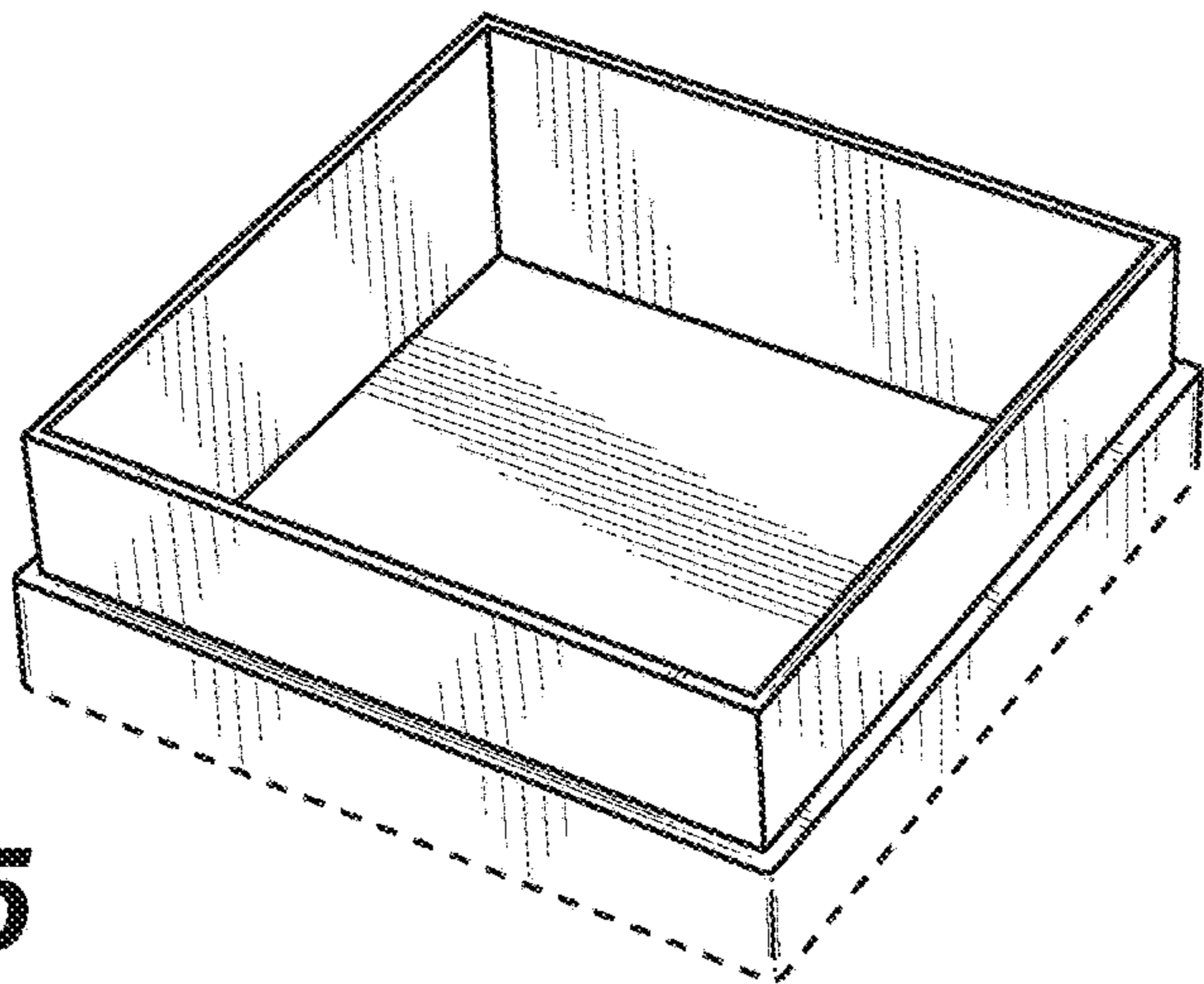
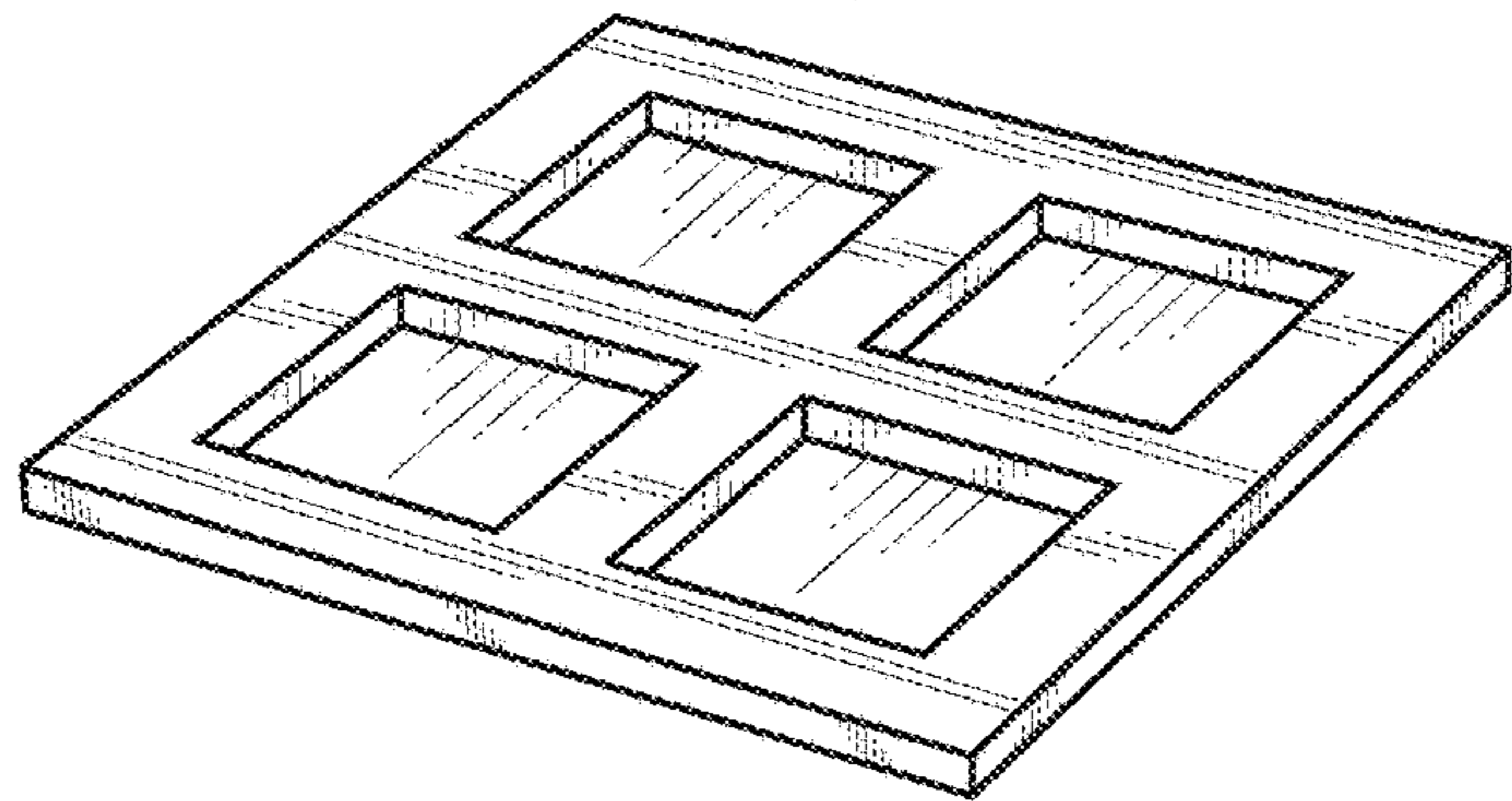
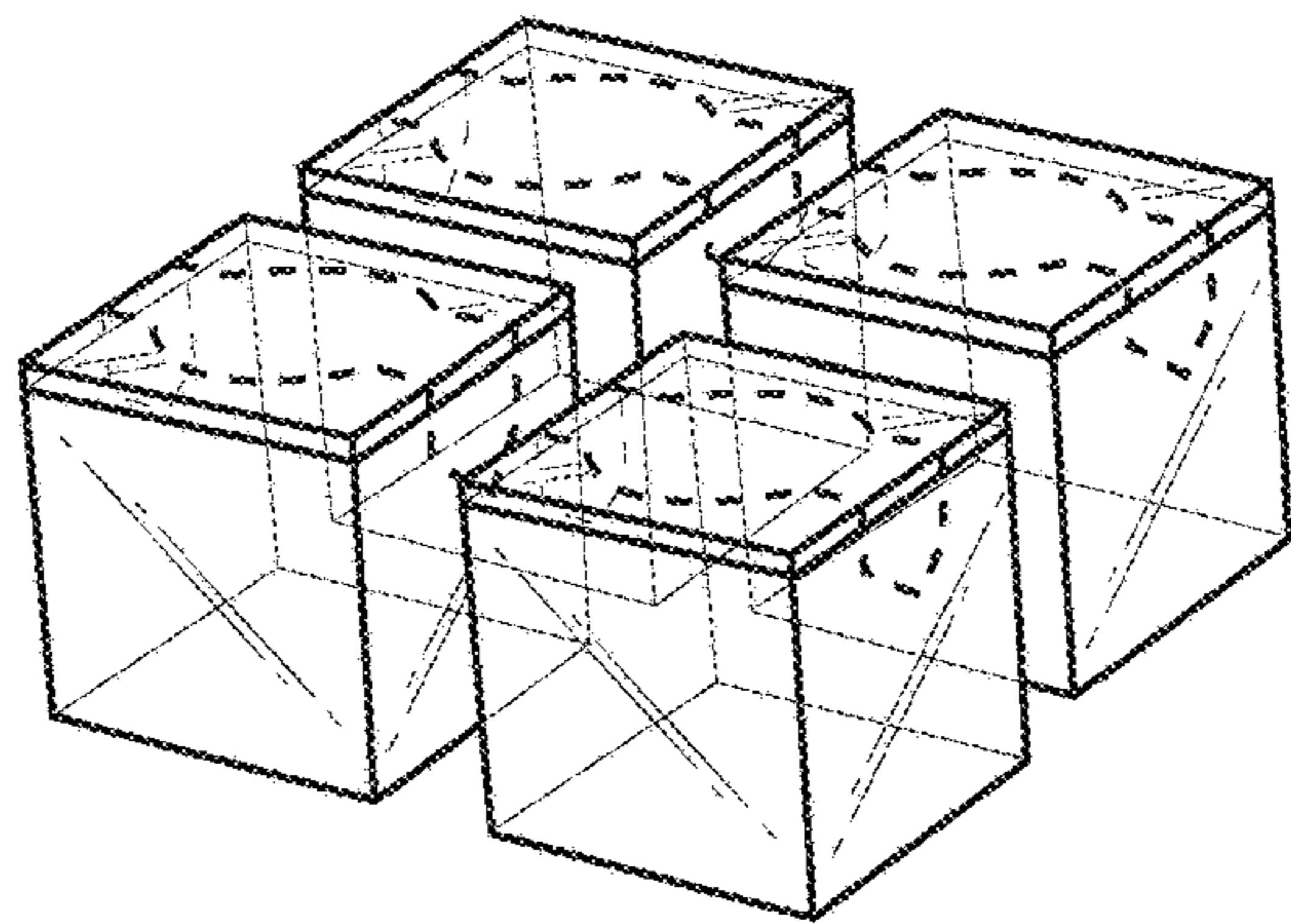
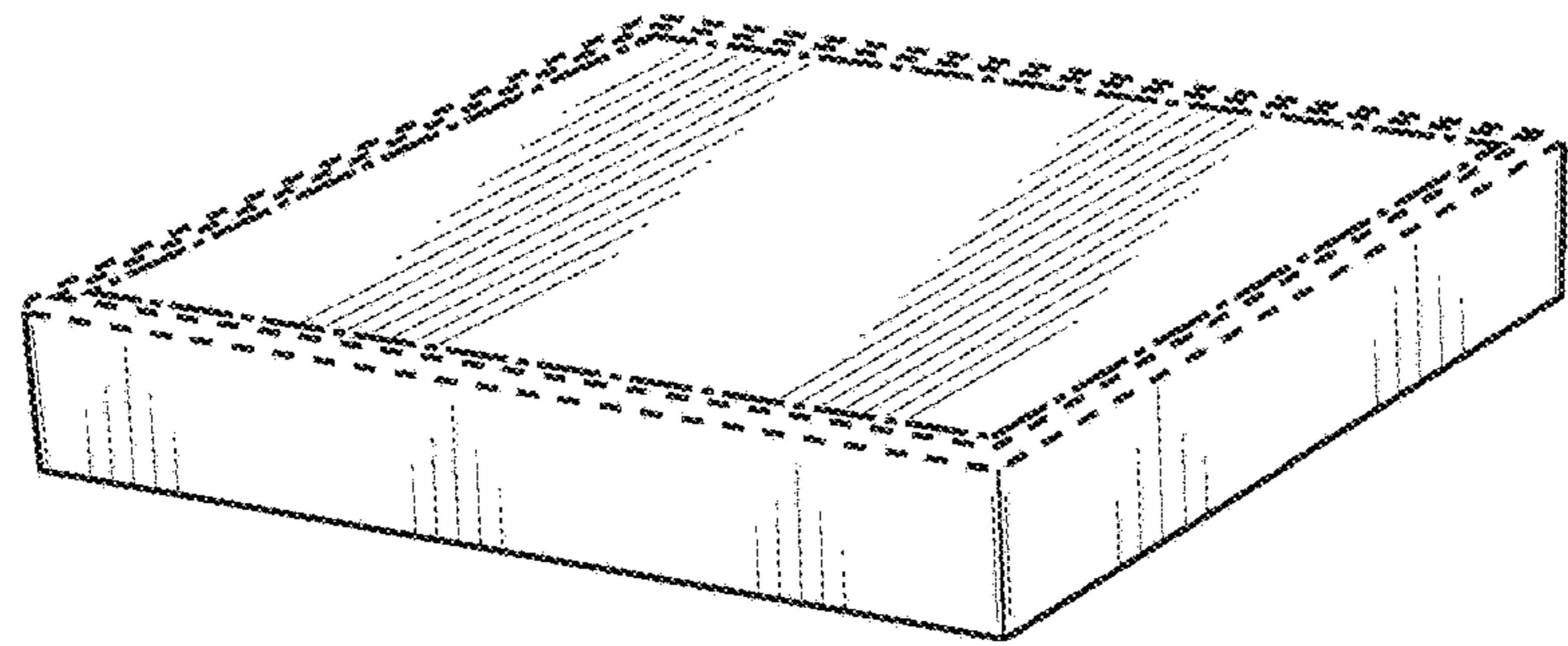


FIG. 15

