

US00D864756S

(12) **United States Design Patent**
O'Neill

(10) **Patent No.:** **US D864,756 S**

(45) **Date of Patent:** **** Oct. 29, 2019**

(54) **PACKAGING**

(71) Applicant: **SUGARFINA, INC.**, El Segundo, CA (US)

(72) Inventor: **Rosie Colleen O'Neill**, El Segundo, CA (US)

(73) Assignee: **Sugarfina, Inc.**, El Segundo, CA (US)

(**) Term: **15 Years**

(21) Appl. No.: **29/685,445**

(22) Filed: **Mar. 28, 2019**

Related U.S. Application Data

(63) Continuation of application No. 29/663,535, filed on Sep. 17, 2018, now Pat. No. Des. 844,455, which is a continuation of application No. 29/609,540, filed on Jun. 30, 2017, now Pat. No. Des. 845,787.

(51) **LOC (12) Cl.** **09-03**

(52) **U.S. Cl.**
USPC **D9/737; D9/432**

(58) **Field of Classification Search**

USPC D9/414, 418, 715, 721, 737, 756, 759;
D3/201, 273, 274, 302; D7/629

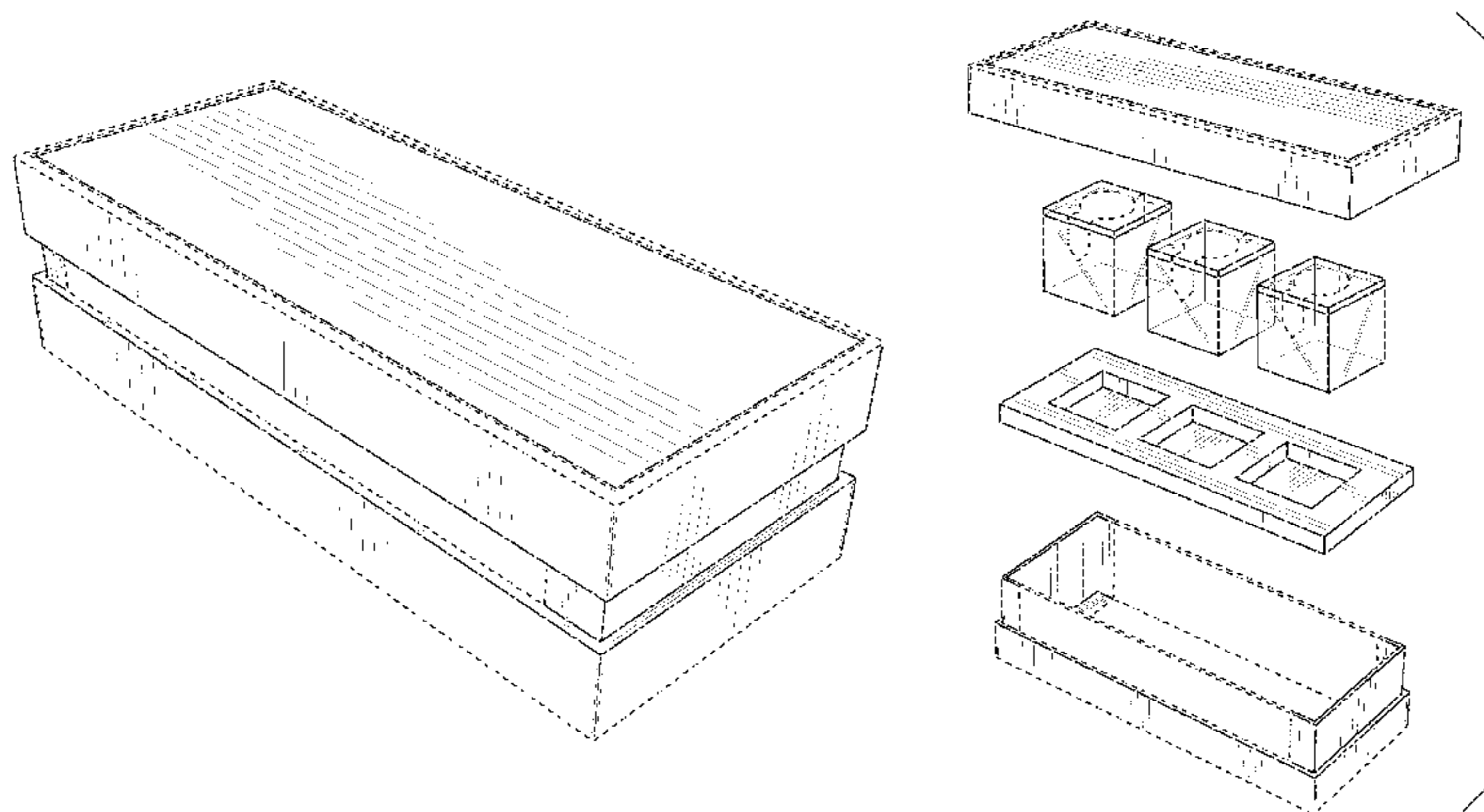
CPC .. B65D 5/4204; B65D 5/5021; B65D 5/4208;
B65D 85/1045; B65D 5/5035; B65D
5/5213; B65D 5/22; B65D 5/38; B65D
2519/00273; B65D 5/42; B65D 5/5038;
B65D 2519/00323; B65D 5/5028; B65D
5/5253; B65D 25/04; B65D 5/5016;
B65D 5/68; B65D 85/00; B65D
2543/00194; B65D 2543/00296; B65D
2519/00711; B65D 2519/00034; B65D
2519/00069; B65D 81/368; B65D
21/0233; Y10S 206/804; Y10S 206/82

See application file for complete search history.

(56) **References Cited**

U.S. PATENT DOCUMENTS

228,158 A	5/1880	Woods	
D36,435 S	7/1903	Daggett	
D42,846 S	8/1912	Farrell	
1,162,840 A	12/1915	Wood	
1,588,857 A	6/1926	Sherman	
D71,513 S	11/1926	Austin	
1,620,789 A	3/1927	Urban, Jr.	
1,697,880 A	1/1929	Peter	
1,762,923 A	6/1930	Fegely	
D86,128 S	2/1932	Levkoff	
1,871,617 A	8/1932	King	
1,892,092 A	12/1932	Barad	
1,899,547 A	2/1933	Addis et al.	
1,994,159 A	3/1935	Wurzberg	
D95,429 S	4/1935	James et al.	
2,522,049 A	9/1950	Lang	
2,541,173 A *	2/1951	Moore	B65D 5/38 206/499
2,597,377 A	5/1952	Robinson	
2,604,980 A	7/1952	Reid	
2,751,135 A	6/1956	Kessler	
2,782,951 A	2/1957	Inman	
2,790,589 A	4/1957	Moore	
3,004,661 A	10/1961	Schumann	
3,126,093 A	3/1964	Bradley et al.	
3,357,543 A	12/1967	Taggart	
3,423,006 A	1/1969	Stedman	
3,494,534 A	2/1970	McFarland et al.	
3,600,871 A	8/1971	Farquhar	
3,660,934 A	5/1972	Pollack et al.	
D242,771 S	12/1976	Papillon	
D244,085 S	4/1977	Giddings et al.	
4,139,096 A	2/1979	Sieger	
D258,938 S	4/1981	Spitzer	
D260,077 S	8/1981	Burns et al.	
4,293,079 A	10/1981	Lytle	
D292,876 S	11/1987	Grunhut	
D292,877 S	11/1987	Grunhut	
4,713,928 A	12/1987	Tisma	
4,757,898 A	7/1988	Klein	
D307,504 S	4/1990	Silcox	
D315,297 S	3/1991	Campbell	
D317,717 S	6/1991	Carol	
D317,718 S	6/1991	Carol	
5,038,940 A	8/1991	Okabe	



US D864,756 S

5,096,056 A	3/1992	Garcia	D709,306 S	7/2014	Tapper
D327,004 S	6/1992	Nadel	D709,364 S	7/2014	Olsson et al.
D329,601 S	9/1992	Samelson	D712,176 S	9/2014	Tamilarasan
D333,615 S	3/1993	Zutler	D712,748 S	9/2014	Akana et al.
D335,819 S	5/1993	Campbell	D713,739 S	9/2014	Akana et al.
D344,020 S	2/1994	Pavely	D717,165 S	11/2014	Kwak et al.
5,375,706 A	12/1994	Perez	D722,870 S	2/2015	Fohner et al.
D361,508 S	8/1995	Schnack	D728,358 S	5/2015	Belamich
D361,661 S	8/1995	Masuda	D729,636 S	5/2015	Steinberger
D373,723 S	9/1996	Healey	D730,749 S	6/2015	Young et al.
5,555,982 A	9/1996	Kuhn et al.	D731,323 S	6/2015	O'Neill
5,590,786 A	1/1997	Jaycox	D731,325 S	6/2015	Loessin
5,603,558 A	2/1997	Zimmer	D733,314 S	6/2015	Lui
D380,417 S	7/1997	Hardy	D733,315 S	6/2015	Lui
D380,926 S	7/1997	Goodburn et al.	D733,317 S	6/2015	Lui
5,682,999 A	11/1997	Larson	D733,318 S	6/2015	Lui
5,725,144 A *	3/1998	Stone	9,061,790 B2	6/2015	Yagishita
		B65D 5/3607	D734,075 S	7/2015	Tapper
		229/101	D738,721 S	9/2015	Song et al.
5,791,468 A	8/1998	House	D741,193 S	10/2015	Lohuis et al.
5,817,510 A	10/1998	Pandey et al.	D748,280 S	1/2016	Lui
D411,308 S	6/1999	Pandey et al.	D754,408 S	4/2016	Garrett et al.
D424,296 S	5/2000	David	D755,641 S	5/2016	O'Neill
D424,425 S	5/2000	Ngai	D756,560 S	5/2016	Ghiotti et al.
D426,902 S	6/2000	Hardy et al.	D756,804 S	5/2016	Gross
D433,630 S	11/2000	Lubineau-Bigot et al.	D758,191 S	6/2016	Tu et al.
6,349,820 B1	2/2002	Kelley et al.	D763,104 S	8/2016	Akana et al.
D455,073 S	4/2002	Mizrahi	D763,683 S	8/2016	O'Neill
D464,568 S	10/2002	Sisinni	D763,684 S	8/2016	O'Neill
D464,885 S	10/2002	Weinstein et al.	D764,911 S	8/2016	Glass et al.
D468,100 S	1/2003	Bowling	D768,008 S	10/2016	Akana et al.
6,533,166 B1	3/2003	Kaiss	D769,727 S	10/2016	Lohuis et al.
D477,911 S	8/2003	Stuart	D769,986 S	10/2016	Timg
D492,194 S	6/2004	Kim	D772,057 S	11/2016	Adams et al.
D494,862 S	8/2004	Sisinni	D774,388 S	12/2016	Xia
6,923,556 B1	8/2005	Baker, III	9,533,791 B2	1/2017	Fath
D510,528 S	10/2005	Funk	D779,879 S	2/2017	Waler
D511,681 S	11/2005	Cogley et al.	D780,569 S	3/2017	Bard et al.
D521,733 S	5/2006	Kim	D780,570 S	3/2017	Bard et al.
D522,376 S	6/2006	Hales	D787,186 S	5/2017	Thurbin
D528,794 S	9/2006	Lanham et al.	D787,320 S	5/2017	Gill et al.
D529,378 S	10/2006	Spencer et al.	D789,752 S	6/2017	Zmrhal et al.
D536,246 S	2/2007	Schneider	D798,737 S	10/2017	Miller et al.
7,264,123 B2	9/2007	Reed	D821,087 S	6/2018	Lihotzky et al.
D553,495 S	10/2007	Vandecasteele et al.	D823,134 S	7/2018	O'Neill
D568,765 S	5/2008	Miles	D824,777 S	8/2018	Arnett, Jr.
D580,263 S	11/2008	Yi Man	D826,069 S	8/2018	O'Neill
D584,053 S	1/2009	Abdo et al.	10,053,274 B1	8/2018	O'Neill
D596,485 S	7/2009	Andre et al.	D829,569 S	10/2018	O'Neill
D603,720 S	11/2009	Cesare et al.	D831,479 S	10/2018	Lylyk
D609,116 S	2/2010	Kim	D833,866 S *	11/2018	Lihotzky D9/432
7,757,843 B2	7/2010	Katsis	D844,454 S *	4/2019	O'Neill D9/737
D621,548 S	8/2010	Chen	D844,455 S *	4/2019	O'Neill D9/737
D643,306 S	8/2011	Martinez et al.	D844,456 S *	4/2019	O'Neill D9/737
8,006,842 B1	8/2011	Loughlin, Jr. et al.	D845,787 S *	4/2019	O'Neill D9/737
D646,984 S	10/2011	Moore et al.	D845,788 S *	4/2019	O'Neill D9/737
8,109,389 B1	2/2012	Amer	D848,862 S *	5/2019	O'Neill D9/737
D657,284 S	4/2012	Young	2002/0108880 A1	8/2002	Krupa et al.
D663,520 S	7/2012	Antler	2006/0266672 A1	11/2006	Young
D664,312 S	7/2012	Bizzle	2006/0283733 A1	12/2006	Masa
8,272,509 B1	9/2012	McCutchen	2007/0095693 A1	5/2007	DeLuca
D669,352 S	10/2012	Paslowski	2008/0190788 A1	8/2008	Cziraky
D670,931 S	11/2012	Tapper	2009/0242455 A1	10/2009	Adams et al.
D670,932 S	11/2012	Tapper	2010/0012672 A1	1/2010	Piron
D673,864 S	1/2013	Read et al.	2010/0187227 A1	7/2010	Wang
D675,539 S	2/2013	Biglarians	2011/0174166 A1	7/2011	Sparacio et al.
D682,119 S	5/2013	Buford	2012/0168434 A1	7/2012	Algarda Cervera et al.
D685,578 S	7/2013	Pestell	2012/0168443 A1	7/2012	Maness
D686,065 S	7/2013	Kuo et al.	2013/0161378 A1	6/2013	Nebeker et al.
D686,491 S	7/2013	Kuo et al.	2013/0240387 A1	9/2013	Pugh
D687,321 S	8/2013	Pralus	2013/0248531 A1	9/2013	Lane
D690,554 S	10/2013	Presley	2014/0021086 A1	1/2014	Roesler
D691,465 S	10/2013	O'Brien et al.	2014/0166736 A1	6/2014	Kato
D691,900 S	10/2013	Kraus	2014/0312107 A1	10/2014	Nash
D698,639 S	2/2014	Fletcher et al.	2015/0093509 A1	4/2015	Kennedy et al.
D698,664 S	2/2014	Abbott	2015/0232245 A1	8/2015	Fullan
D700,462 S	3/2014	Boos	2015/0321811 A1	11/2015	Yeung
D704,550 S	5/2014	Mattila et al.	2016/0009473 A1	1/2016	Korinek et al.
D706,627 S	6/2014	Olsson et al.	2016/0046404 A1	2/2016	Cheeser et al.
D709,305 S	7/2014	Tapper			

Sugarfina, Design Your Own Bento, www.sugarfina.com/shop/gift-shop/gift-type/design-your-own-bento (Jun. 29, 2017).

Sugarfina, Custom Catalogue, <https://issuu.com/sugarfina/docs/2017-corporatecatalog-ppai-webversi> (Jun. 29, 2017).

Teapressa, Tea + Cube, available at <https://teapressa.com/collections/gifts/products/tea-cube> (Jun. 29, 2017).

Sweitzer Candy Gift Box 8, available Feb. 21, 2015, [online], [site visited Aug. 2, 2017]. Available from internet, <URL: <https://web.archive.org/web/20150221225755/https://sweitzercandy.com/index.php/gift-boxes.html>, 2 pages.

Sweitzer Candy Gift Box 4, available Feb. 21, 2015, [online], [site visited Aug. 2, 2017]. Available from internet, <URL: <https://web.archive.org/web/20150221225755/https://sweitzercandy.com/index.php/gift-boxes.html>, 2 pages.

“A Taste of Paradise,” Collection by Sugarfina, available Aug. 2, 2017, [online], [site visited Aug. 2, 2017]. Available from Internet, <URL: <https://www.sugarfina.com>, 1 page.

Cubetas, [online], [site visited Aug. 16, 2017]. Available from internet, <URL: <http://cubetas.jp/>>, 19 pages.

Bonbonist—<https://thebonbonist.com/>; Oct. 18, 2017, 4 pages.

Bonbonist Box Photo—Facebook—<https://www.facebook.com/thebonbonist/photos/a.1493876617357861.1073741829.1290401221038736/1493876580691198/?type=3&theater>; Oct. 1, 2017, 1 page.

Bouquet Bar 3 Piece Box Photo—Instagram—<https://www.instagram.com/p/BPs-h6rBWic/?taken-by=thebouquetbar>; Jan. 25, 2017, 1 page.

Bouquet Bar 6 Piece Box Photo—“It’s Time to Ditch the Red Roses: Six Better Ways to Give Your Valentine Flowers,” People Home & Travel; Jan. 31, 2017, 10 pages.

Bouquet Bar 6 Piece Photo—Instagram—<https://www.instagram.com/p/BP-9I12hV9Q/?taken-by=thebouquetbar>; Feb. 1, 2017, 1 page.

Chocomize 2 Piece Box—<https://www.chocomize.com/candy-cubes-2pack.html>; Oct. 16, 2017, 4 pages.

Chocomize 3 Piece Box Photo—Facebook—<https://www.facebook.com/Chocomize/photos/a.423529781180.220124.176532311180/10154561729211181/?type=3&theater>; Nov. 11, 2016, 1 page.

Chocomize 6 Piece Box—<https://www.chocomize.com/candy-cube-6pcs-box.html>; Oct. 16, 2017, 3 pages.

Chocomize 9 Piece Box Photo—Instagram—<https://www.instagram.com/p/BI5r4s6BLH7/?taken-by=chocomize>; Aug. 9, 2016, 1 page.

Chocomize 9 Piece Box Photo—Instagram—<https://www.instagram.com/p/BMpjEEUhpqV/?taken-by=chocomize>; Nov. 10, 2016, 1 page.

Chocomize 9 Piece Box Photo—Instagram—<https://www.instagram.com/p/BMrp0YdhQeU/?taken-by=chocomize>; Nov. 11, 2016, 1 page.

Cubetas 2 Piece and 3 Piece Box Photo—Instagram—<https://www.instagram.com/p/BMyWwq0BQoH/?taken-by=cubetas.2016>; Nov. 14, 2016, 1 page.

Cubetas 2 Piece and 3 Piece Box Photo—Instagram—<https://www.instagram.com/p/BNtkhJpBzYm/?taken-by=cubetas.2016>; Dec. 7, 2016, 1 page.

Cubetas 2 Piece Box Photo—Instagram—<https://www.instagram.com/p/BMQ9Bjihqyz/?taken-by=cubetas.2016>; Nov. 1, 2016, 1 page.

Cubetas 3 Piece Box Photo—Instagram—<https://www.instagram.com/p/BPrxqTThloh/?taken-by=cubetas.2016>; Jan. 25, 2017, 1 page.

Foxes Events 6 Piece Box Photo—Instagram—<https://www.instagram.com/p/BQVMWj7jZke/?taken-by=foxesevents&hl=en>; Feb. 10, 2017, 1 page.

Idea Stage 2 Piece Box—<https://www.ideastage.com/Cube-Shaped-Candy-Set-965458328>; Oct. 13, 2017, 2 pages.

Sugarwish 2 Piece and 4 Piece Boxes—<https://web.archive.org/web/20151201071311/https://sugarwish.com/choose-a-sugarwish>; Dec. 1, 2015, 1 page.

Sweet Lounge 2 Piece Box—<https://www.sweetlounge.co.uk/lounge-box-hello-spring-collection-for-vegans/>; Oct. 16, 2017, 6 pages.

Sweet Lounge 3 Piece and 4 Piece Box Photo—Instagram—https://www.instagram.com/p/BM_eHn6g8ly/?taken-by=sweetloungeuk; Nov. 19, 2016, 1 page.

Sweet Lounge 3 Piece and 4 Piece Box Photo—Instagram—https://www.instagram.com/p/BMY_iidAMwX/?taken-by=sweetloungeuk; Nov. 4, 2016, 1 page.

Sweet Lounge 4 Piece Box—Instagram—<https://www.instagram.com/p/BNMnfaJgwOo/?taken-by=sweetloungeuk>; Nov. 24, 2016, 1 page.

Sweet Lounge 4 Piece Box—<https://www.sweetlounge.co.uk/lounge-box-hello-spring-collection/>; Oct. 16, 2017, 7 pages.

Sweet Lounge 4 Piece Box Video Snapshots—Facebook—<https://www.facebook.com/sweetloungeuk/videos/vb.670728213008752/1188285557919679/?type=2&theater>; Nov. 16, 2016, 6 pages.

Sweet Pete’s 8 Piece Box—www.sweetpetescandy.com/collections/create-a-box; Nov. 18, 2016, 2 pages.

Sweitzer Candy 3 Piece Box Photo—Instagram—<https://www.instagram.com/p/440XveluqO/?taken-by=sweitzercandy>; Jul. 8, 2015, 1 page.

Sweitzer Candy 4 Piece Box Photo—Instagram—<https://www.instagram.com/p/440XveluqO/?taken-by=sweitzercandy>; Apr. 16, 2015, 1 page.

Sweitzer Candy 8 Piece Box Photo—Instagram—<https://www.instagram.com/p/wLDm8Olujs/?taken-by=sweitzercandy>; Dec. 4, 2014, 1 page.

Webb Company 2 Piece Box Photo—Facebook—<https://www.facebook.com/webbcollection/photos/a.376918812240.156708.376836382240/10154628557212241/?type=3&theater>; Oct. 18, 2016, 1 page.

Webb Company 4 Piece Box—<https://www.facebook.com/webbcollection/photos/a.376918812240.156708.376836382240/10154602255037241/?type=3&theater>; Oct. 11, 2016, 1 page.

Weeny Beeny 3 Piece Box Photo—Facebook—<https://www.facebook.com/weenybeenyl23/>; Jan. 31, 2017, 1 page.

Weeny Beeny 4 Piece Box Photo—Facebook—<https://www.facebook.com/weenybeenyl23/>; Jan. 31, 2017, 1 page.

Alto Nivel, Top 10 de Chocolates Gourmet de Lujo (Jun. 26, 2011) (available at <https://www.altonivel.com.mx/estilo-de-vida/top-10-de-chocolates-gourmet-de-lujo/>), 13 pages.

Alto Nivel, Top 10 de Chocolates Gourmet de Lujo (Jun. 26, 2011) (available at <https://www.altonivel.com.mx/estilo-de-vida/top-10-de-chocolates-gourmet-de-lujo/>), machine translation, 12 pages.

MAGMA Google Group, “Sweet” (Mar. 11, 2011) (available at https://groups.google.com/forum/print/msg/magma-massar/sUT3yoay0mE/5gOUk5AKMzQJ?ctz=4721738_76_76_104100_72_446760), 11 pages.

Yelp photo uploaded by Adam D. on Mar. 8, 2014 (available at https://www.yelp.com/biz_photos/mariebelle-new-york-3?select=ggKtO2Mx-jLH82WREkN7iA), 1 page.

Yelp photo uploaded by Farhana S. on May 25, 2015 (available at https://www.yelp.com/biz_photos/mariebelle-new-york-3?select=bewjLhJxzOfxHTN2m0-Ghg), 1 page.

Yelp photo uploaded by Amy K. on Feb. 20, 2016 (available at https://www.yelp.com/biz_photos/mariebelle-new-york-3?select=aSrM2Gu_DuexeX67uD4p9Q), 1 page.

Yelp photo uploaded by Adrienne D. on Nov. 8, 2016 (available at https://www.yelp.com/biz_photos/mariebelle-new-york-3?select=tEA9kZR4JsKfdBSu8uSIIQ), 1 page.

Yelp photo uploaded by Dani V. on Jan. 4, 2007 (available at https://www.yelp.com/biz_photos/mariebelle-new-york-3?select=5MkHMGtiRD-hWFLhdHlvKg), 1 page.

Banat-Style.com, Mar. 1, 2010 (available at <http://forums.banat-style.com/arabgirlsfashion143108/>), 46 pages.

* cited by examiner

Primary Examiner — Lauren R Calve

(74) *Attorney, Agent, or Firm* — Troutman Sanders LLP;
James E. Schutz; Chris N. Davis

(57)

CLAIM

The ornamental design for a packaging, as shown and described.

DESCRIPTION

FIG. 1 is a perspective view of a packaging showing my new design.

FIG. 2 is a left view thereof.

FIG. 3 is a right view thereof.

FIG. 4 is a front view thereof.

FIG. 5 is a rear view thereof.

FIG. 6 is a top view thereof.

FIG. 7 is a bottom view thereof.

FIG. 8 is a perspective view thereof, shown without the top for clarity of illustration.

FIG. 9 is a left view thereof, shown without the top for clarity of illustration.

FIG. 10 is a right view thereof, shown without the top for clarity of illustration.

FIG. 11 is a front view thereof, shown without the top for clarity of illustration.

FIG. 12 is a rear view thereof, shown without the top for clarity of illustration.

FIG. 13 is a top view thereof, shown without the top for clarity of illustration.

FIG. 14 is a bottom view thereof, shown without the top for clarity of illustration; and,

FIG. 15 is an exploded perspective view of the packaging showing my new design.

The broken lines shown represent unclaimed subject matter and form no part of the claimed design. The shade lines shown represent surface shading and not surface ornamentation, color, or material type. The long-dash short-dash lines show an unclaimed boundary that forms no part of the claimed design. The space between the long-dash short-dash lines and broken lines also forms no part of the claimed design.

1 Claim, 15 Drawing Sheets

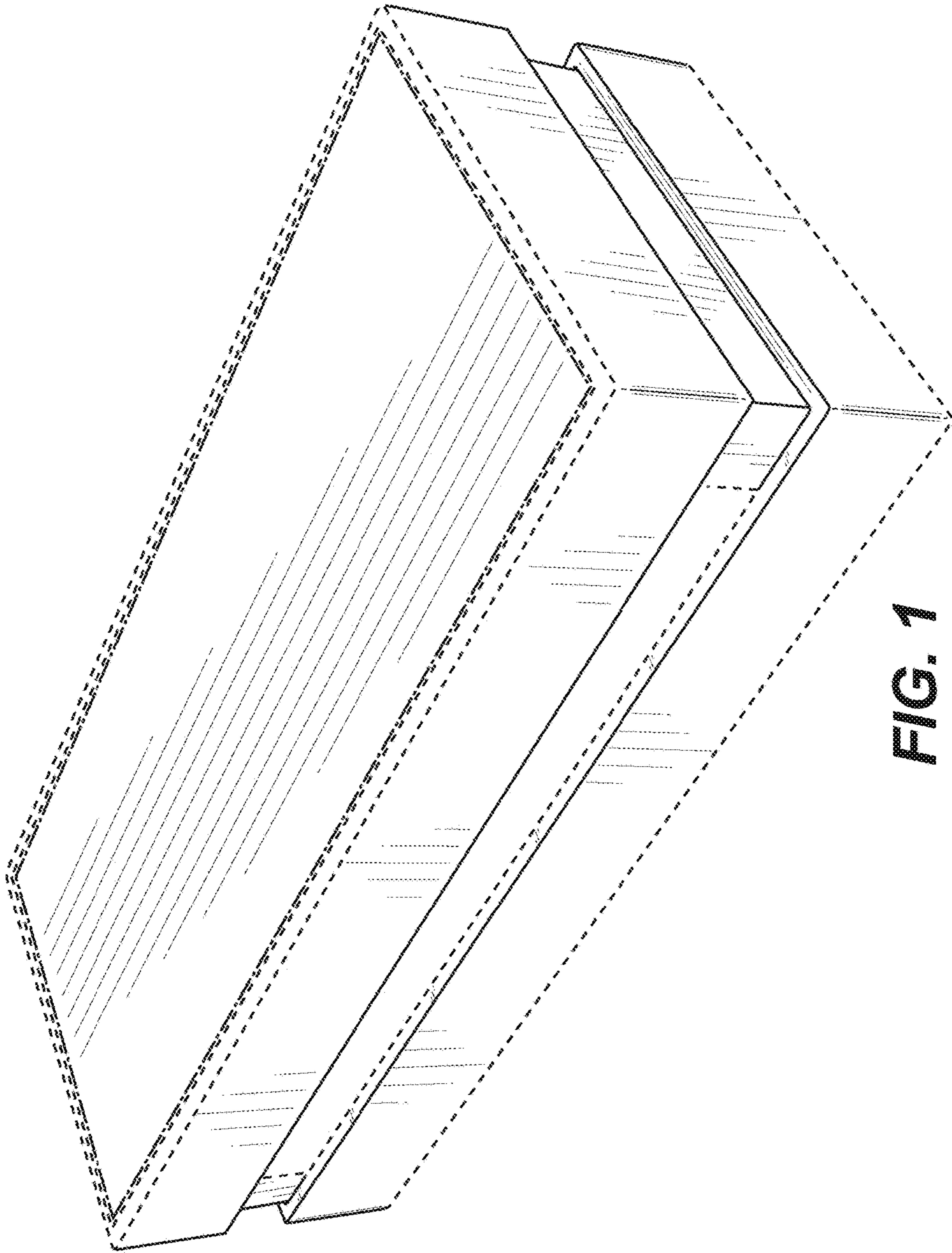


FIG. 1

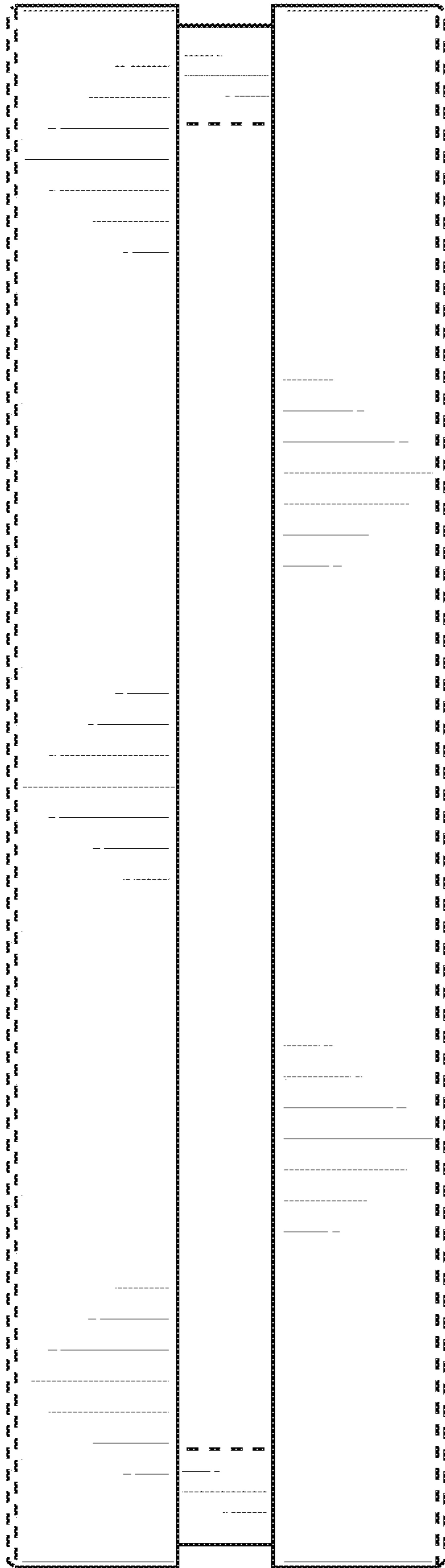


FIG. 2

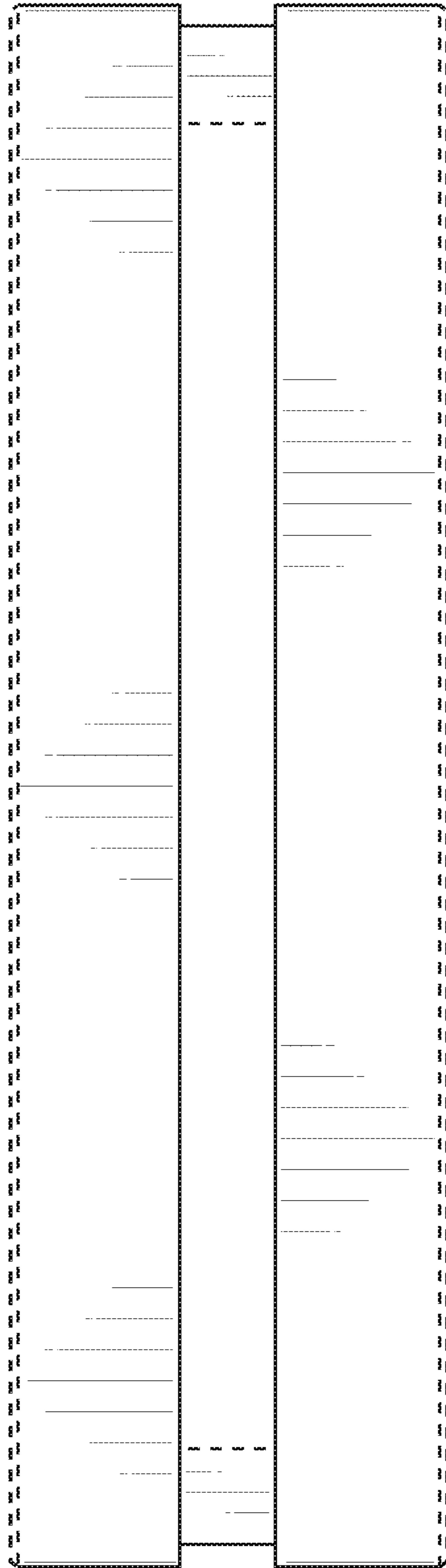


FIG. 3

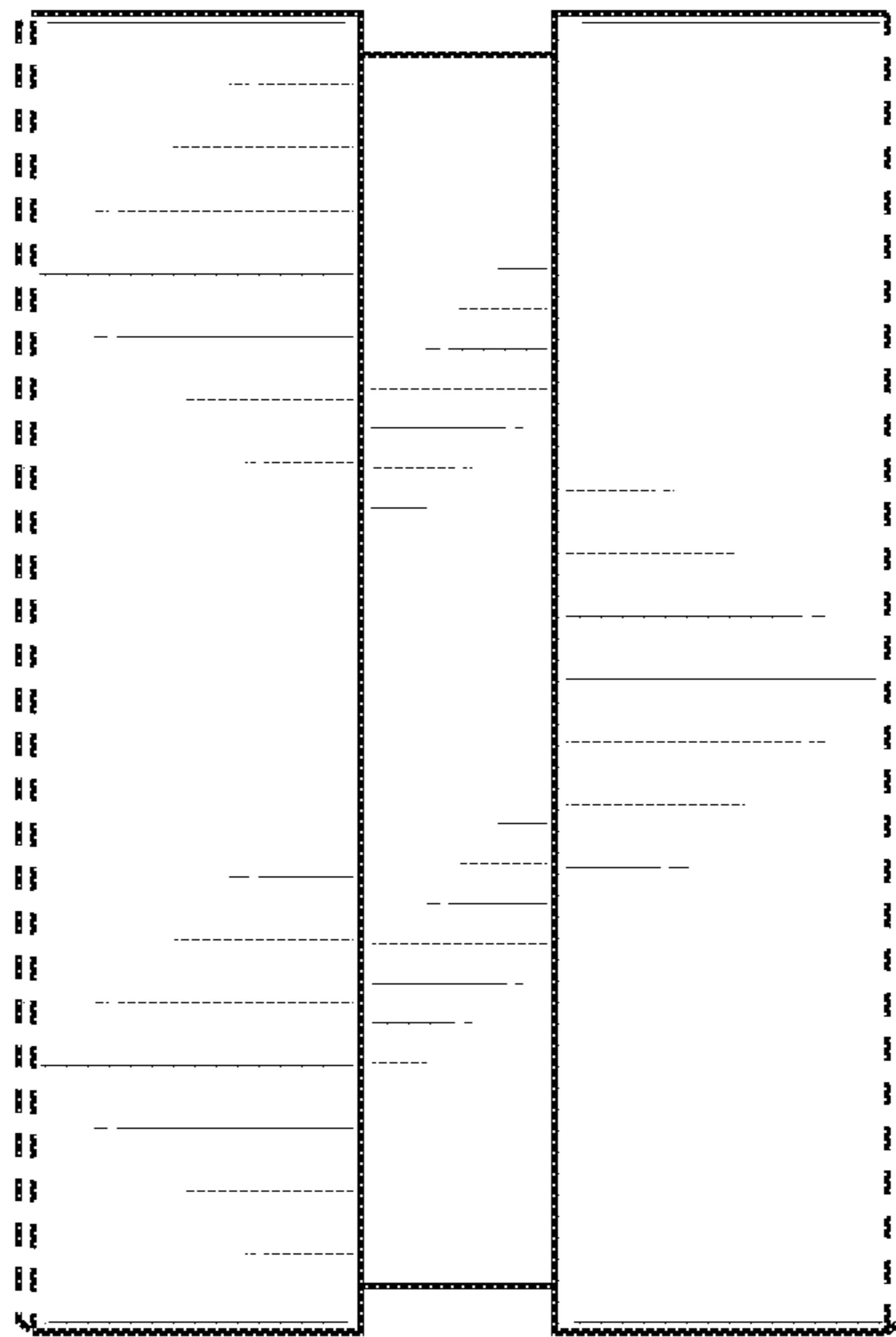


FIG. 4

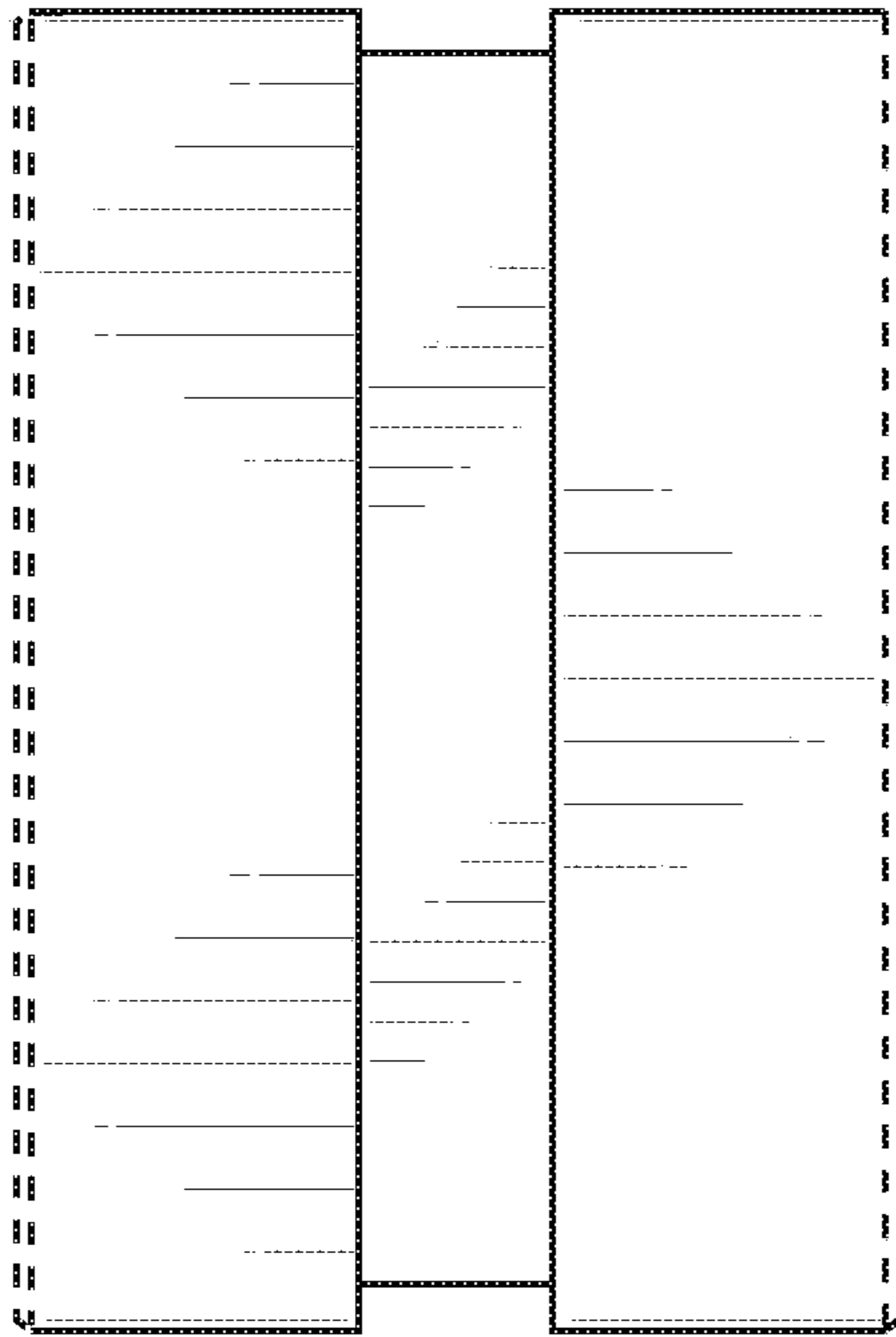


FIG. 5

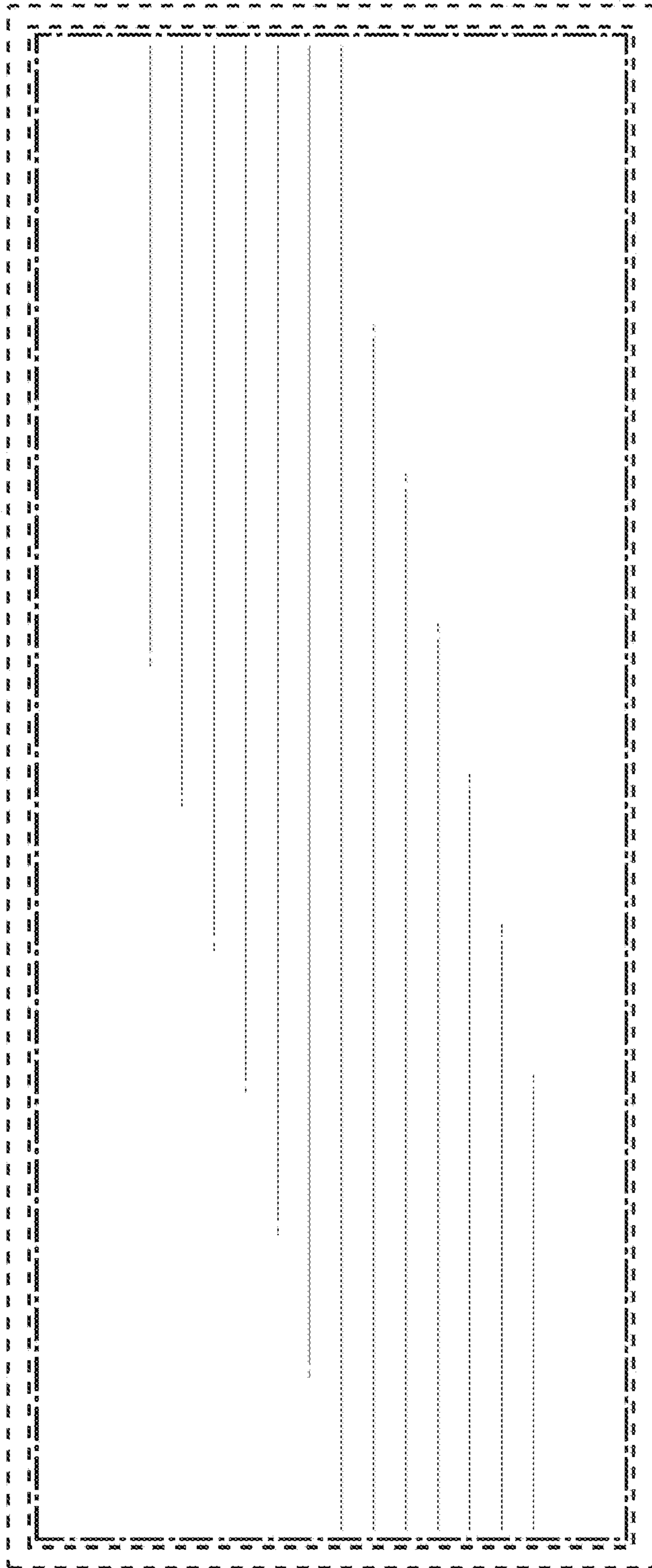


FIG. 6

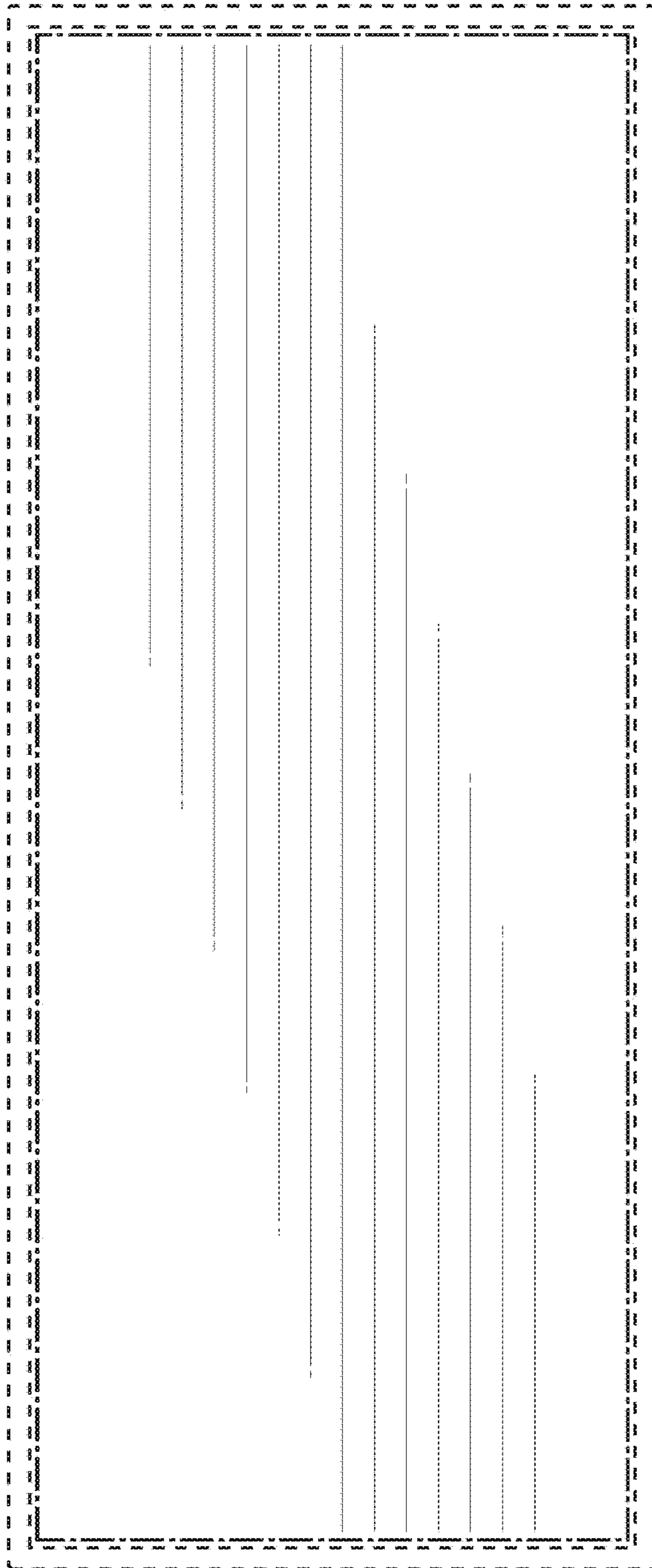


FIG. 7

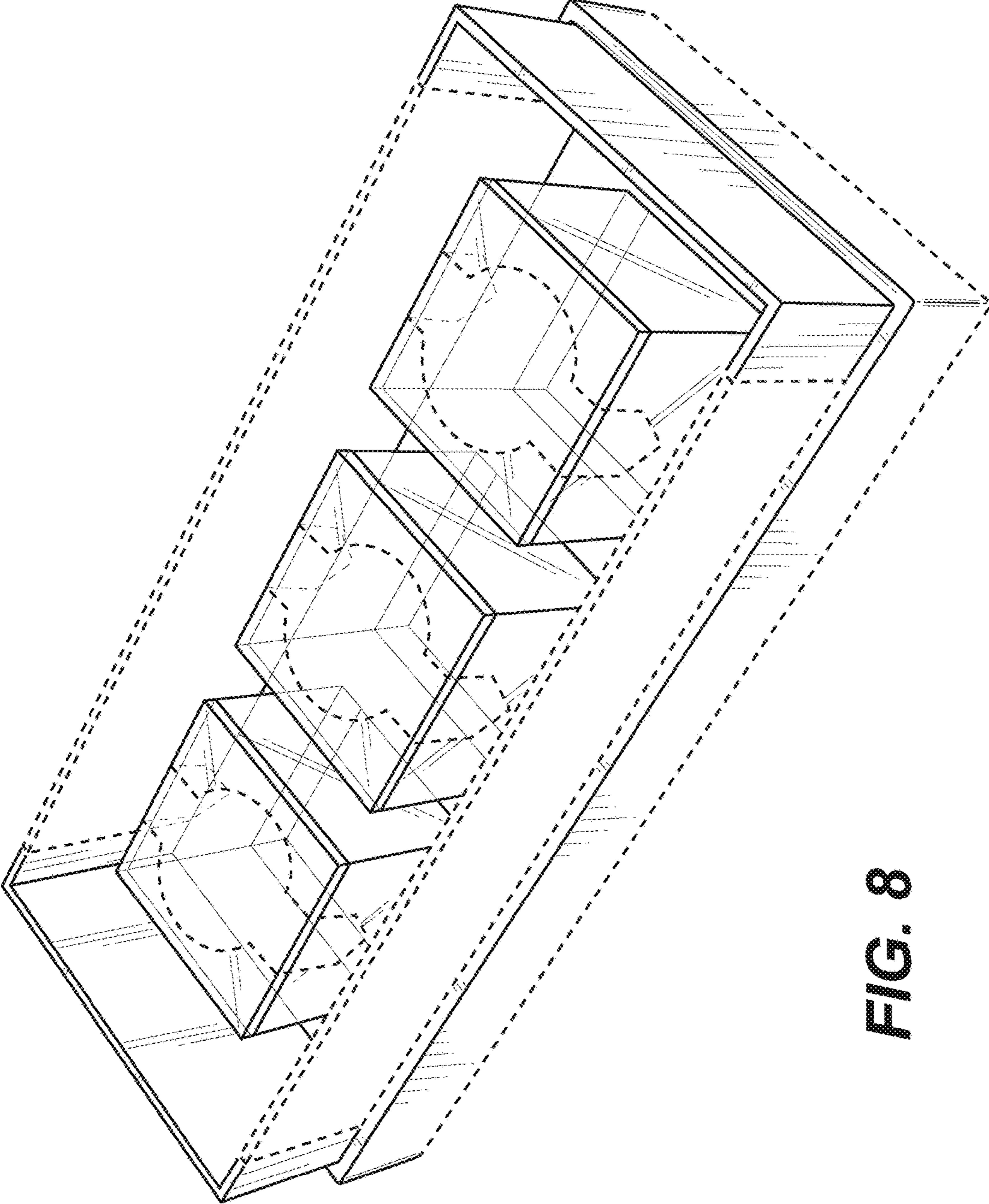


FIG. 8

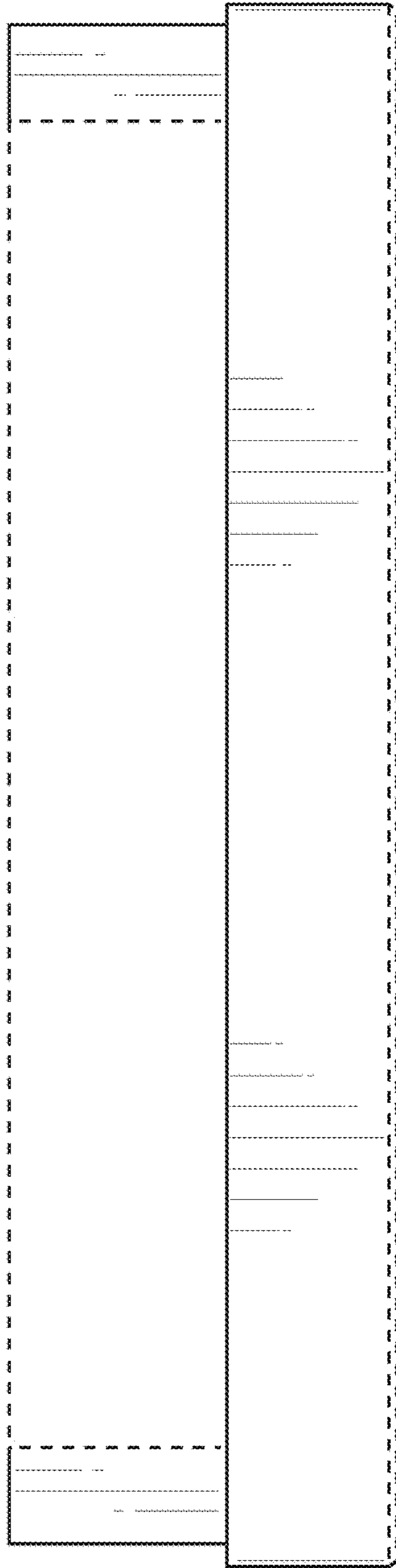


FIG. 9

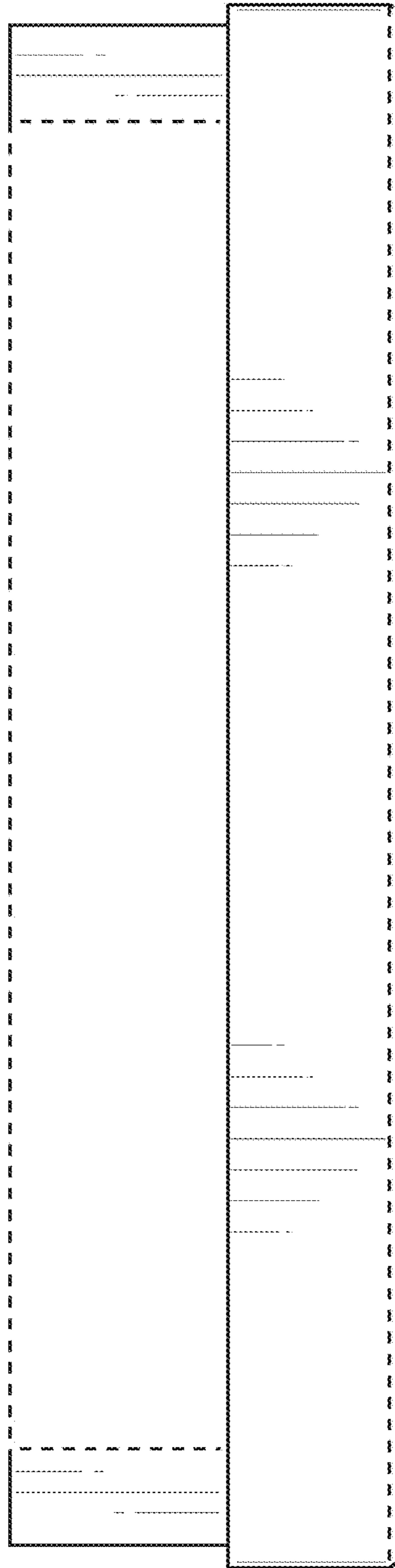


FIG. 10

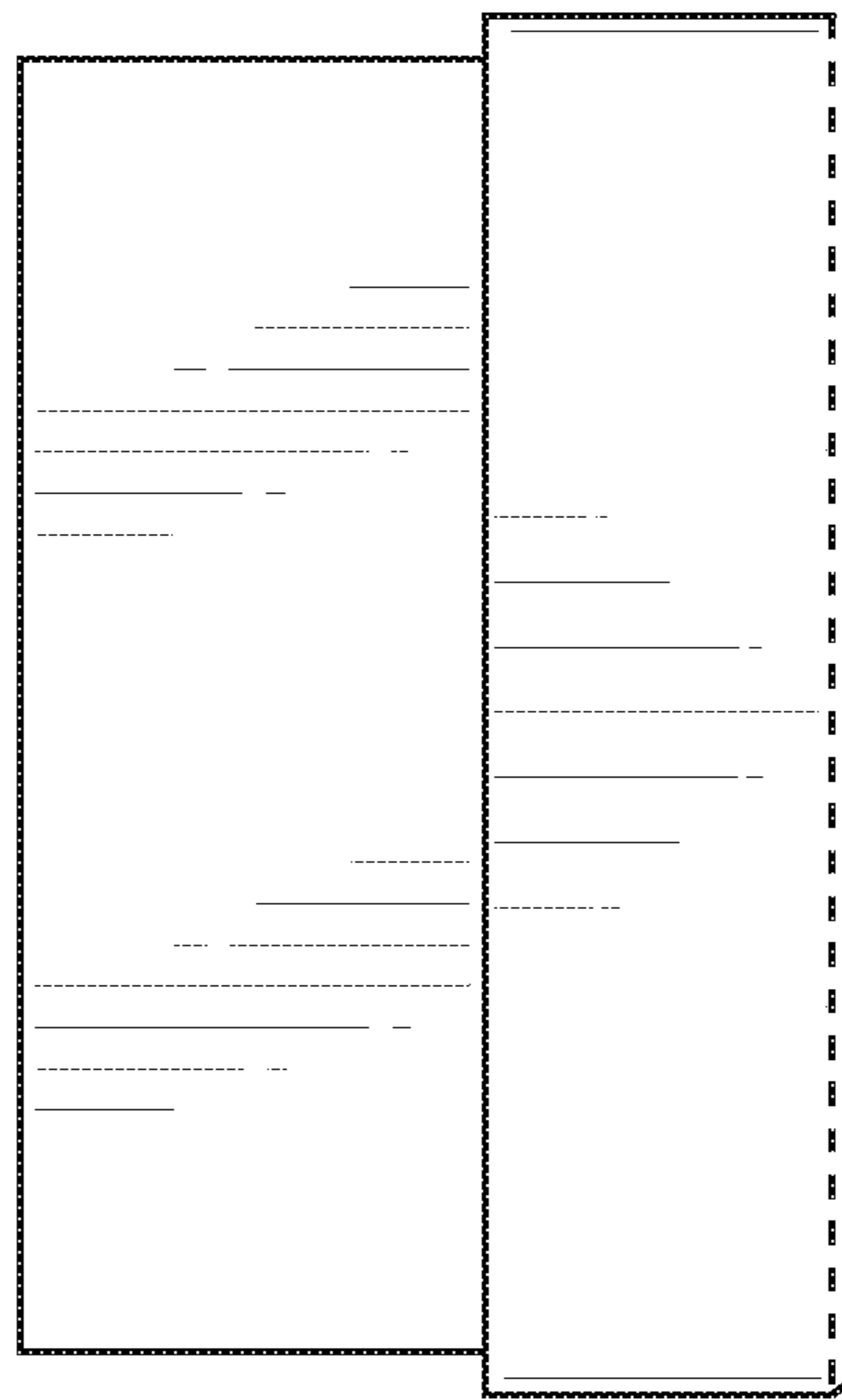


FIG. 11

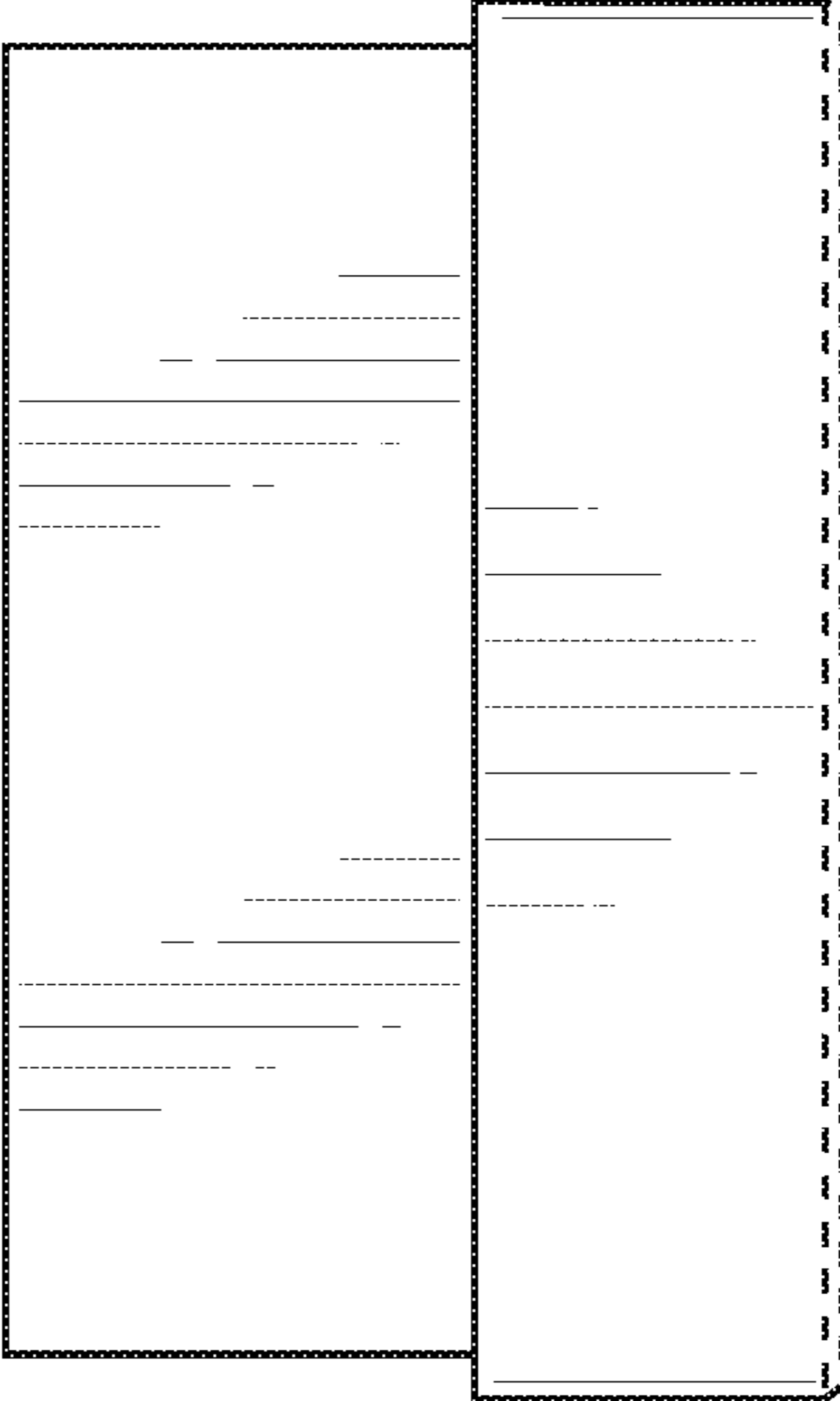


FIG. 12

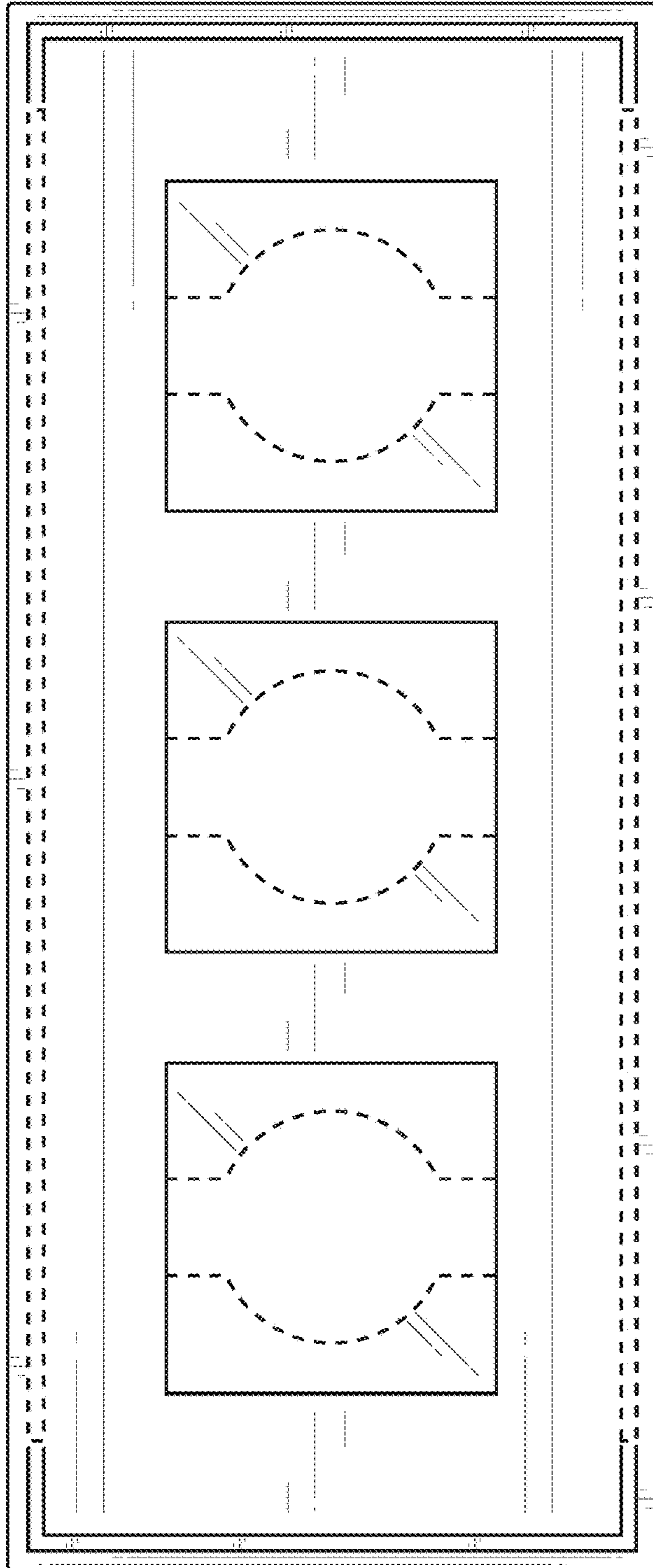


FIG. 13

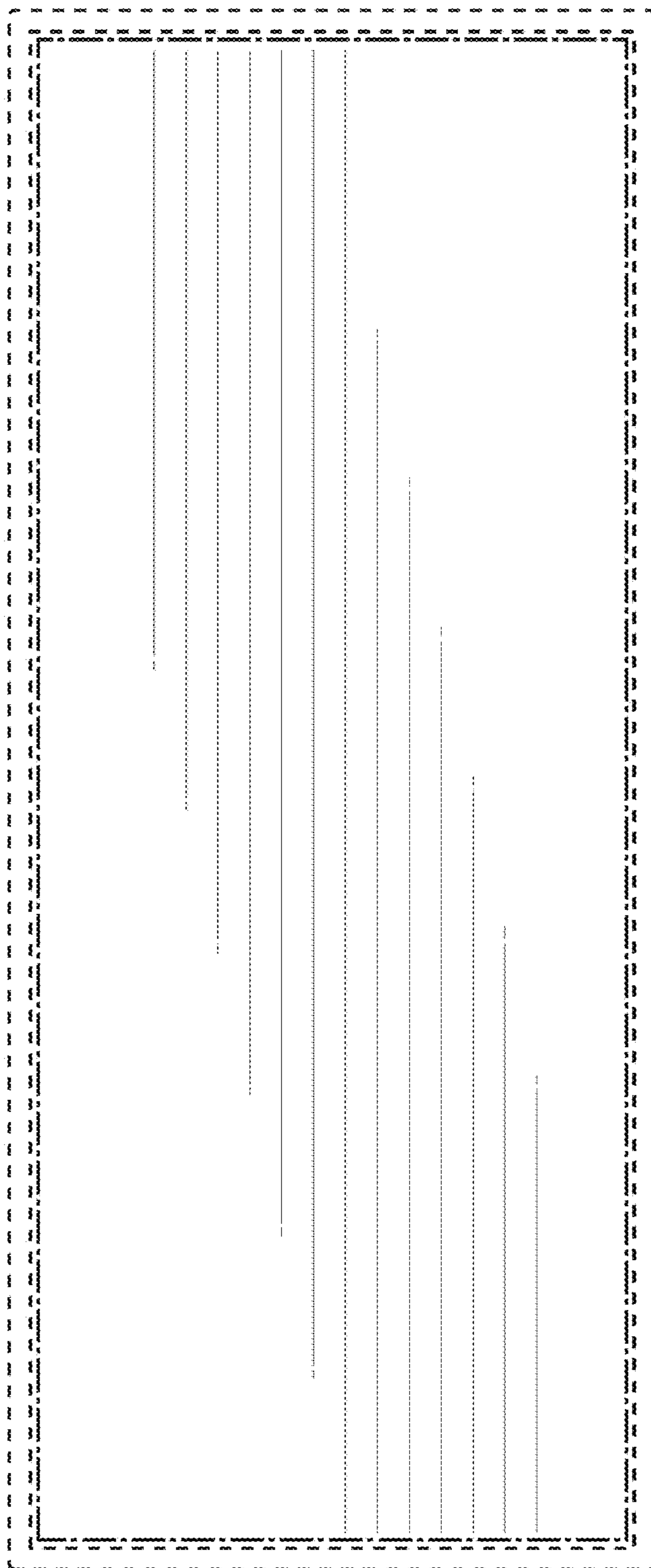


FIG. 14

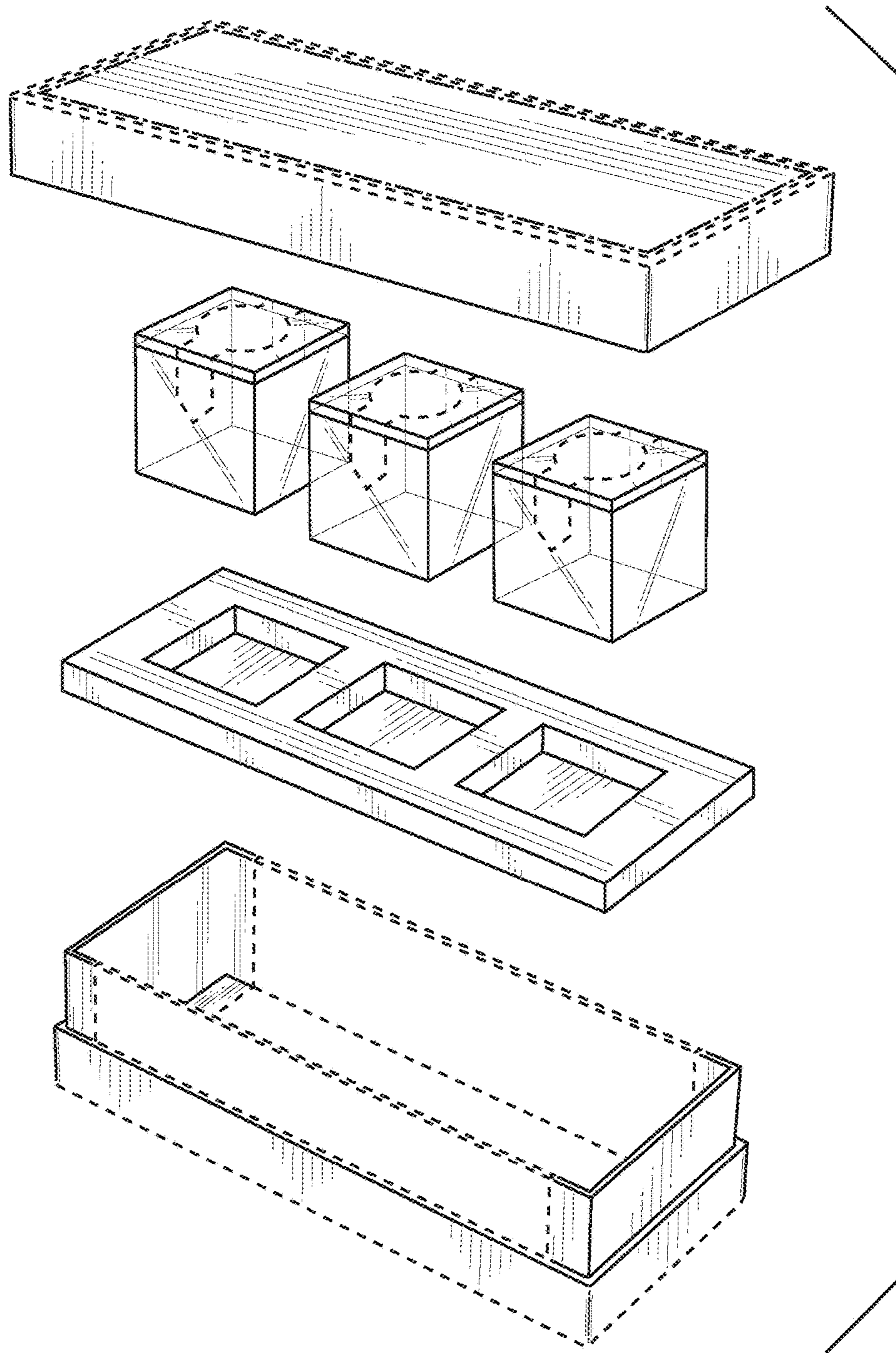


FIG. 15