

US00D864751S

(12) **United States Design Patent** (10) **Patent No.:** **US D864,751 S**  
**Exner** (45) **Date of Patent:** **\*\* Oct. 29, 2019**

(54) **CARTON ARRANGEMENT**

FOREIGN PATENT DOCUMENTS

(71) Applicant: **Graphic Packaging International, LLC, Atlanta, GA (US)**

CA 1079240 6/1980  
JP 2004-123101 4/2004

(Continued)

(72) Inventor: **Dana Exner, Wheaton, IL (US)**

(73) Assignee: **Graphic Packaging International, LLC, Atlanta, GA (US)**

OTHER PUBLICATIONS

(\*\*) Term: **15 Years**

Colpac Visione Cardboard Food Tray. [online] Published on Apr. 20, 2017. Retrieved Dec. 18, 2018 from URL: [http:// www.castawayfoodpackaging.co.nz/product/01viztfl-visione-cardboard-food-tray/](http://www.castawayfoodpackaging.co.nz/product/01viztfl-visione-cardboard-food-tray/).

(21) Appl. No.: **29/641,850**

(Continued)

(22) Filed: **Mar. 26, 2018**

*Primary Examiner* — Abraham Bahta

(51) **LOC (12) Cl.** ..... **09-05**

(74) *Attorney, Agent, or Firm* — Womble Bond Dickinson (US) LLP

(52) **U.S. Cl.**

USPC ..... **D9/705**

(58) **Field of Classification Search**

USPC ..... D9/702-714, 737, 748-750, 414-418, D9/430-433; 211/189, 202, 126.6, 132.1, 211/133.1, 200, 128.1; 248/447.1, 248/127-128; 40/120, 124.09, 647.02; D3/20, 201, 304-305, 309-315, 318-319, D3/203.1, 203.2, 203.3; D6/524-525, D6/514, 672, 677, 677.1, 707; D28/61, D28/73, 76; 220/4.23, 4.27, 500, 505, 220/507, 513

(57) **CLAIM**

CPC .... A47F 7/00; A47F 7/14; A47F 7/145; A47F 5/00; A47F 5/10; A47F 5/11; B65D 5/00; B65D 5/48; B65D 5/02; B65D 5/18; B65D 5/503; B65D 5/36; B65D 5/0015; B65D 5/0045; B65D 5/2033

The ornamental design for a carton system, as shown and described.

See application file for complete search history.

**DESCRIPTION**

(56) **References Cited**

U.S. PATENT DOCUMENTS

396,570 A 1/1889 Hotchkiss  
637,838 A 11/1899 Vernon  
1,373,365 A 3/1921 Smouse  
1,892,756 A 1/1933 Van Horne  
2,330,521 A 9/1943 Scheide  
2,341,762 A 2/1944 Conklin

(Continued)

FIG. 1 is a perspective view of a carton arrangement showing my new design according to an exemplary embodiment of the disclosure.

FIG. 2 is a front elevation view of the carton arrangement of FIG. 1.

FIG. 3 is a rear elevation view of the carton arrangement of FIG. 1.

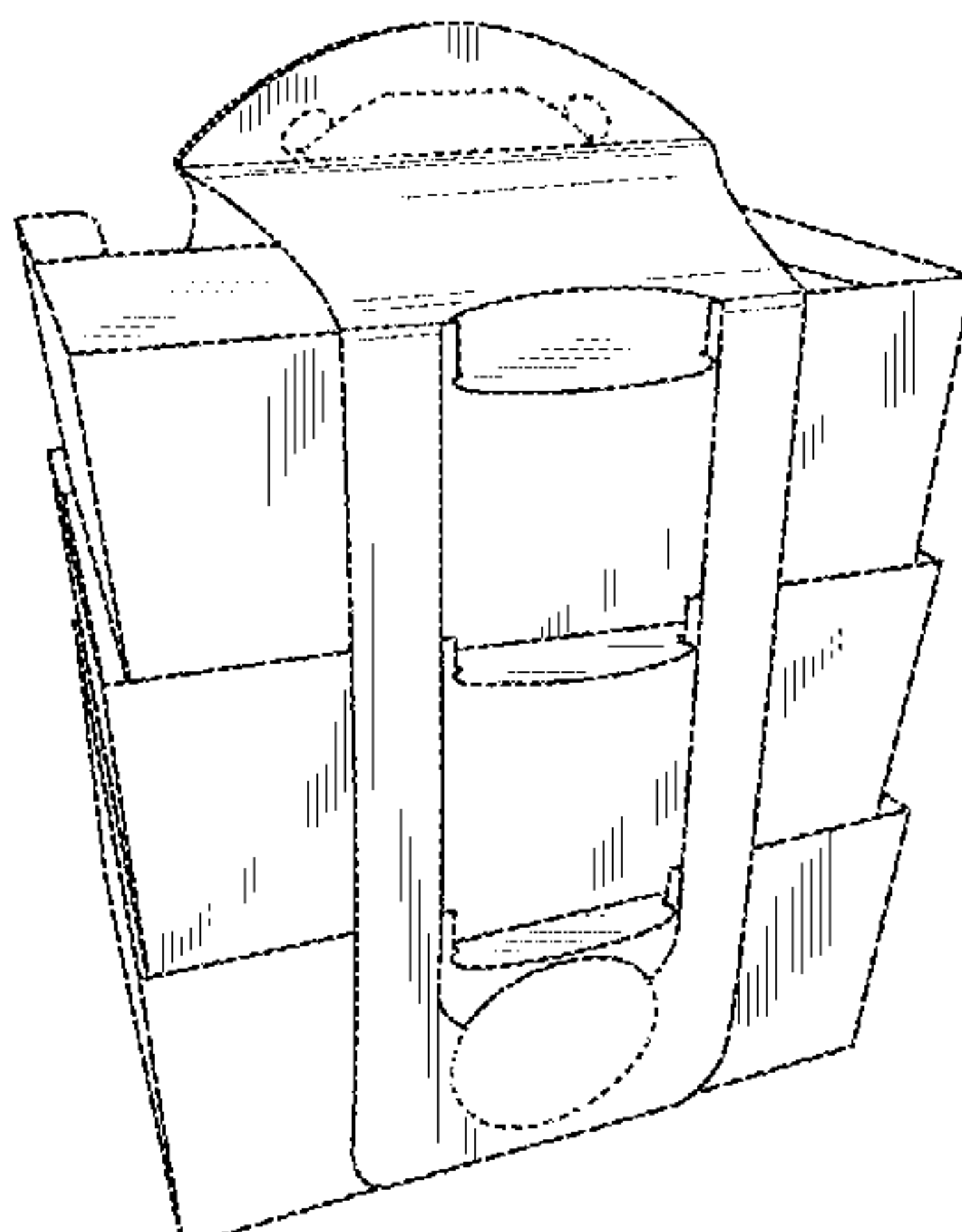
FIG. 4 is a left elevation view of the carton arrangement of FIG. 1, the right elevation view is a mirror image.

FIG. 5 is a top plan view of the carton arrangement of FIG. 1; and,

FIG. 6 is a bottom plan view of the carton arrangement of FIG. 1.

All evenly-spaced broken lines are for environmental purposes only and do not form part of the claimed design.

**1 Claim, 6 Drawing Sheets**



(56)

References Cited

U.S. PATENT DOCUMENTS

2,355,729 A 8/1944 Inman  
 2,355,730 A 8/1944 Inman  
 3,027,063 A 3/1962 Zastrow  
 3,324,999 A 6/1967 Farquhar  
 3,355,089 A 11/1967 Champlin  
 3,447,735 A 6/1969 Whitney  
 D217,441 S 5/1970 Kanaga  
 3,840,172 A 10/1974 Zimmermann  
 3,886,901 A 6/1975 Zeitter  
 3,949,928 A 4/1976 Perkins  
 4,068,795 A 1/1978 Forster  
 4,277,015 A 7/1981 Crane  
 4,328,923 A 5/1982 Graser  
 4,340,169 A 7/1982 Webinger  
 4,449,633 A 5/1984 Johnson et al.  
 5,016,813 A 5/1991 Simons  
 5,094,359 A 3/1992 DeMars et al.  
 5,125,565 A 6/1992 Rogers  
 5,170,934 A 12/1992 Lemoine  
 5,292,058 A 3/1994 Zoss et al.  
 5,294,044 A 3/1994 Clark  
 5,307,986 A 5/1994 Schuster  
 5,388,758 A 2/1995 Scovell  
 5,411,204 A 5/1995 Demay  
 5,520,284 A 5/1996 Gray  
 5,522,538 A 6/1996 Gray  
 6,041,997 A 3/2000 Jensen  
 6,126,065 A 10/2000 Wee  
 D458,127 S 6/2002 De Groote  
 D467,499 S 12/2002 Garza et al.  
 D473,787 S 4/2003 Jones, Jr. et al.  
 D484,043 S 12/2003 Hwang et al.  
 6,676,010 B1 1/2004 Roseth et al.  
 D519,366 S 4/2006 Epstein  
 7,021,525 B2 4/2006 Jouppi et al.  
 D519,830 S 5/2006 Yocum  
 D561,023 S 2/2008 Jacxsens  
 7,552,820 B2 6/2009 Kohler  
 7,669,755 B2 3/2010 Smalley  
 7,699,214 B2 4/2010 Mestre et al.  
 D622,589 S \* 8/2010 Elias ..... D9/431  
 D630,508 S 1/2011 Hubbard, Jr.  
 D631,741 S 2/2011 Hubbard, Jr.  
 D631,742 S 2/2011 Hubbard, Jr.

D631,743 S 2/2011 Hubbard, Jr.  
 7,938,257 B2 5/2011 Kohler  
 D666,830 S 9/2012 Glenn  
 D684,858 S \* 6/2013 Sill ..... D9/421  
 8,740,050 B2 6/2014 Zinck et al.  
 D717,162 S 11/2014 Baker  
 9,169,037 B2 10/2015 Pinkstone  
 D753,994 S 4/2016 Pantelleria  
 9,309,023 B2 4/2016 Hubbard, Jr.  
 D755,624 S 5/2016 Ng  
 9,346,234 B2 5/2016 Hajek et al.  
 D762,468 S 8/2016 Pantelleria et al.  
 D769,114 S 10/2016 Montemayor  
 9,505,516 B2 11/2016 Hubbard, Jr.  
 D775,947 S 1/2017 Epstein  
 9,701,438 B2 7/2017 Fitzwater et al.  
 D805,894 S 12/2017 Lee  
 D810,561 S \* 2/2018 Garnett ..... D9/431  
 D811,875 S 3/2018 Haen et al.  
 D813,029 S 3/2018 Borkovetz et al.  
 10,017,290 B2 7/2018 Faulkner et al.  
 10,086,972 B2 10/2018 Hajek  
 10,232,973 B2 3/2019 Burke  
 10,239,651 B2 3/2019 Exner et al.  
 D848,835 S \* 5/2019 Exner ..... D9/431  
 2004/0031842 A1 2/2004 Westerman et al.  
 2004/0182916 A1 9/2004 Roseth  
 2005/0279815 A1 12/2005 Fogle et al.  
 2006/0255105 A1 11/2006 Sweet  
 2007/0095881 A1 5/2007 Manaige  
 2008/0087679 A1 4/2008 Cook  
 2009/0039144 A1 2/2009 Hooi et al.  
 2014/0263600 A1 9/2014 Valencia

FOREIGN PATENT DOCUMENTS

JP 2009-073536 4/2009  
 KR 20-0171748 Y1 3/2000  
 WO WO 89/10308 11/1989

OTHER PUBLICATIONS

International Search Report and Written Opinion for PCT/US2019/018914 dated Jun. 7, 2019.

\* cited by examiner

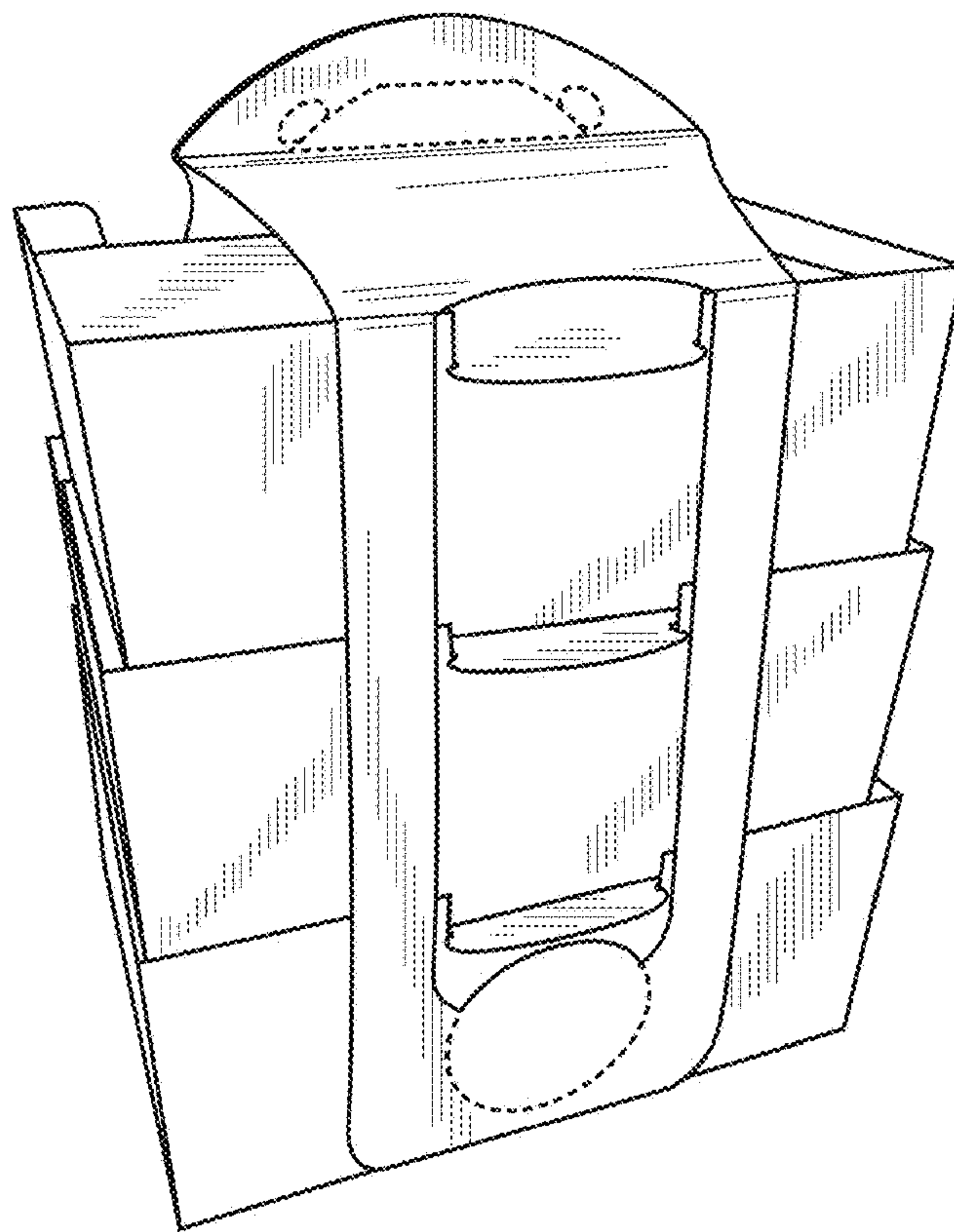


FIG. 1

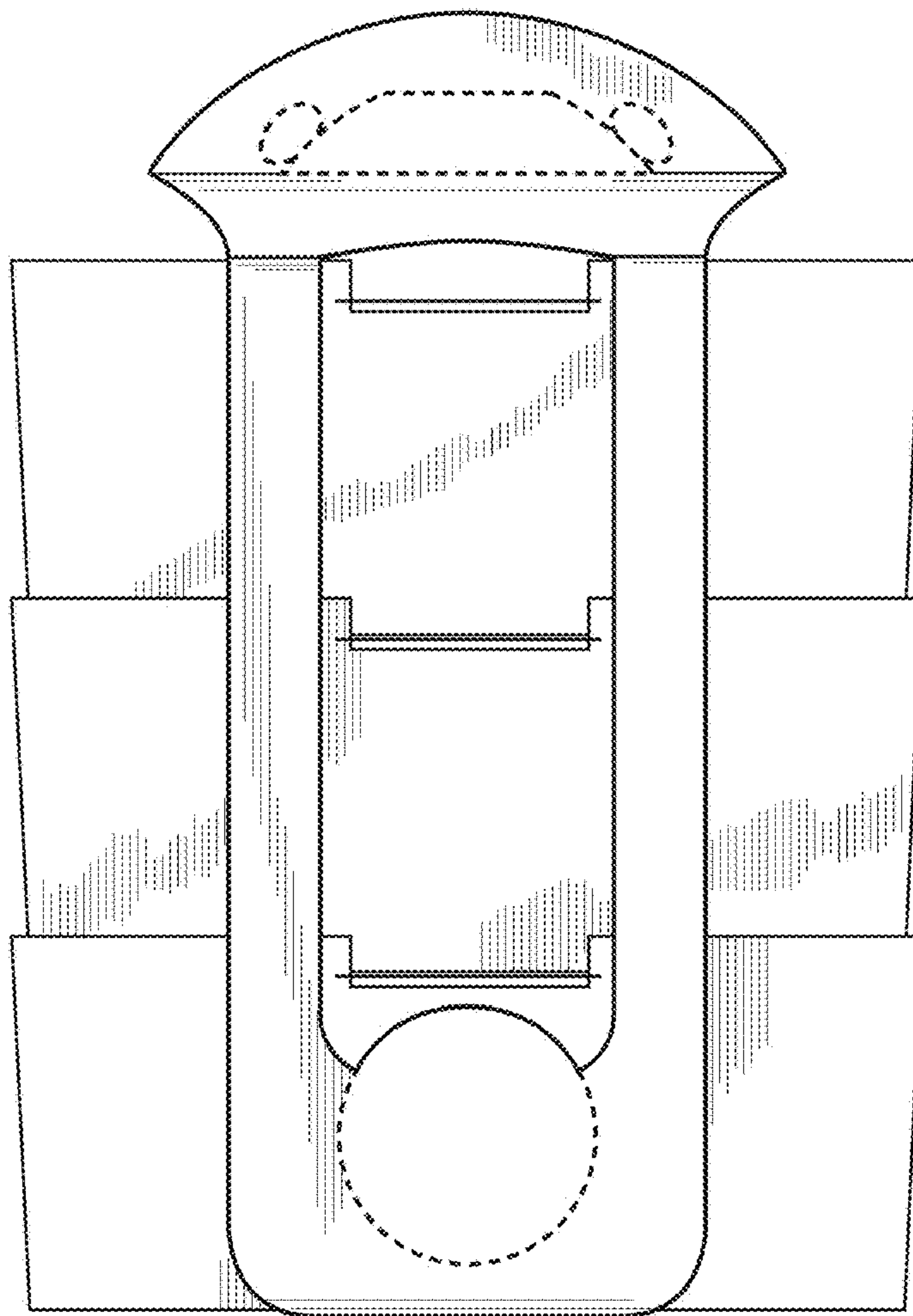


FIG. 2



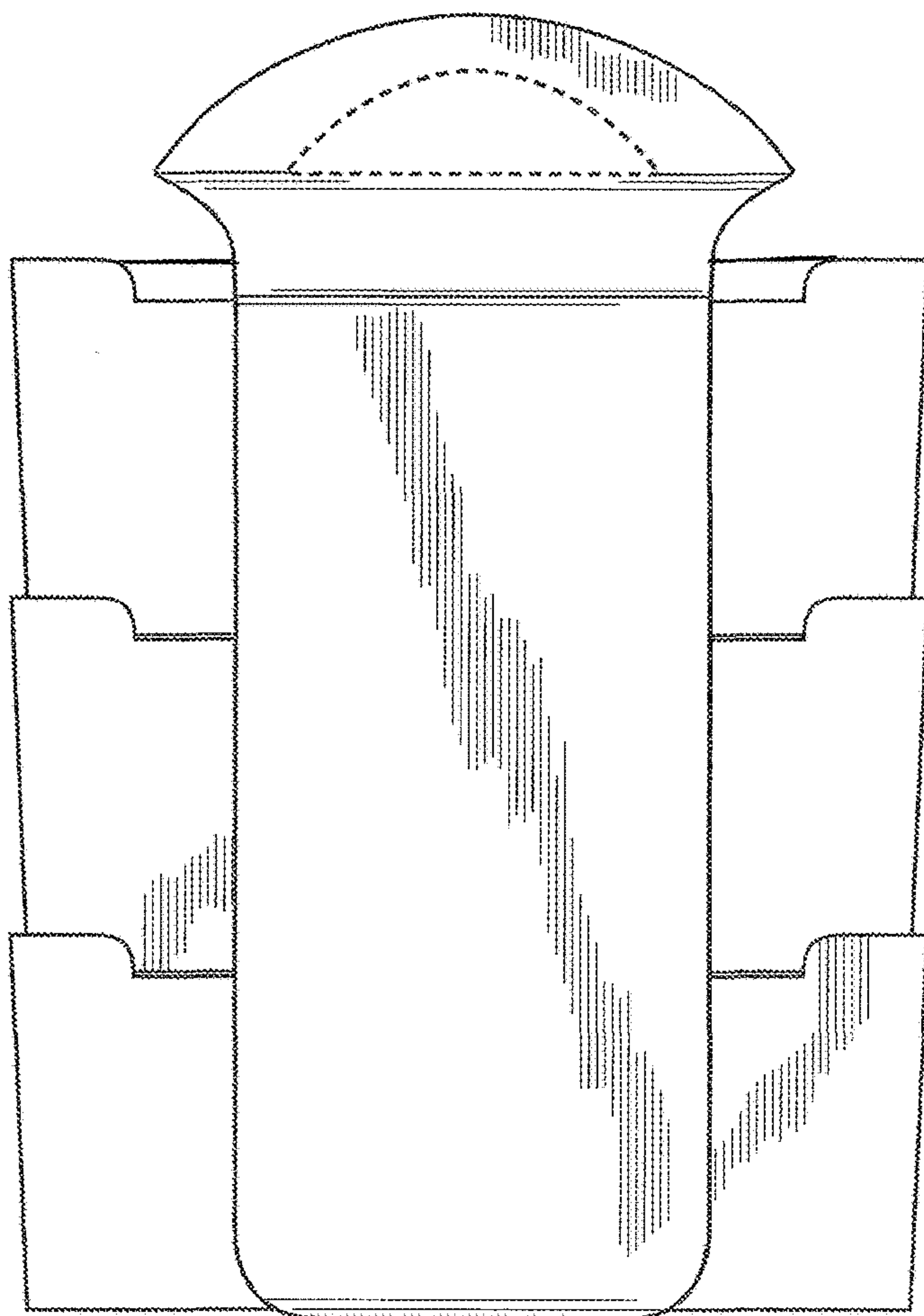


FIG. 3

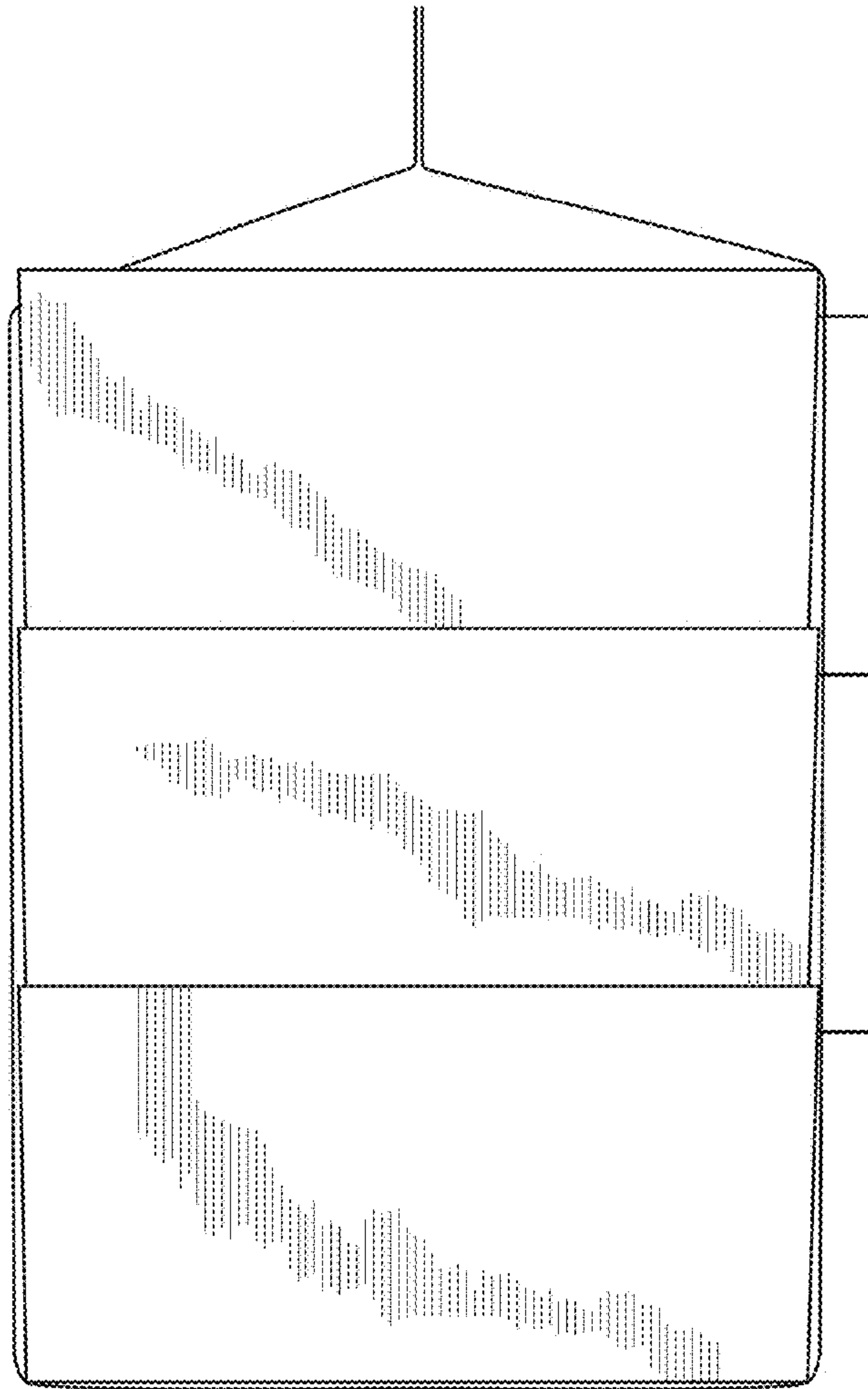


FIG. 4

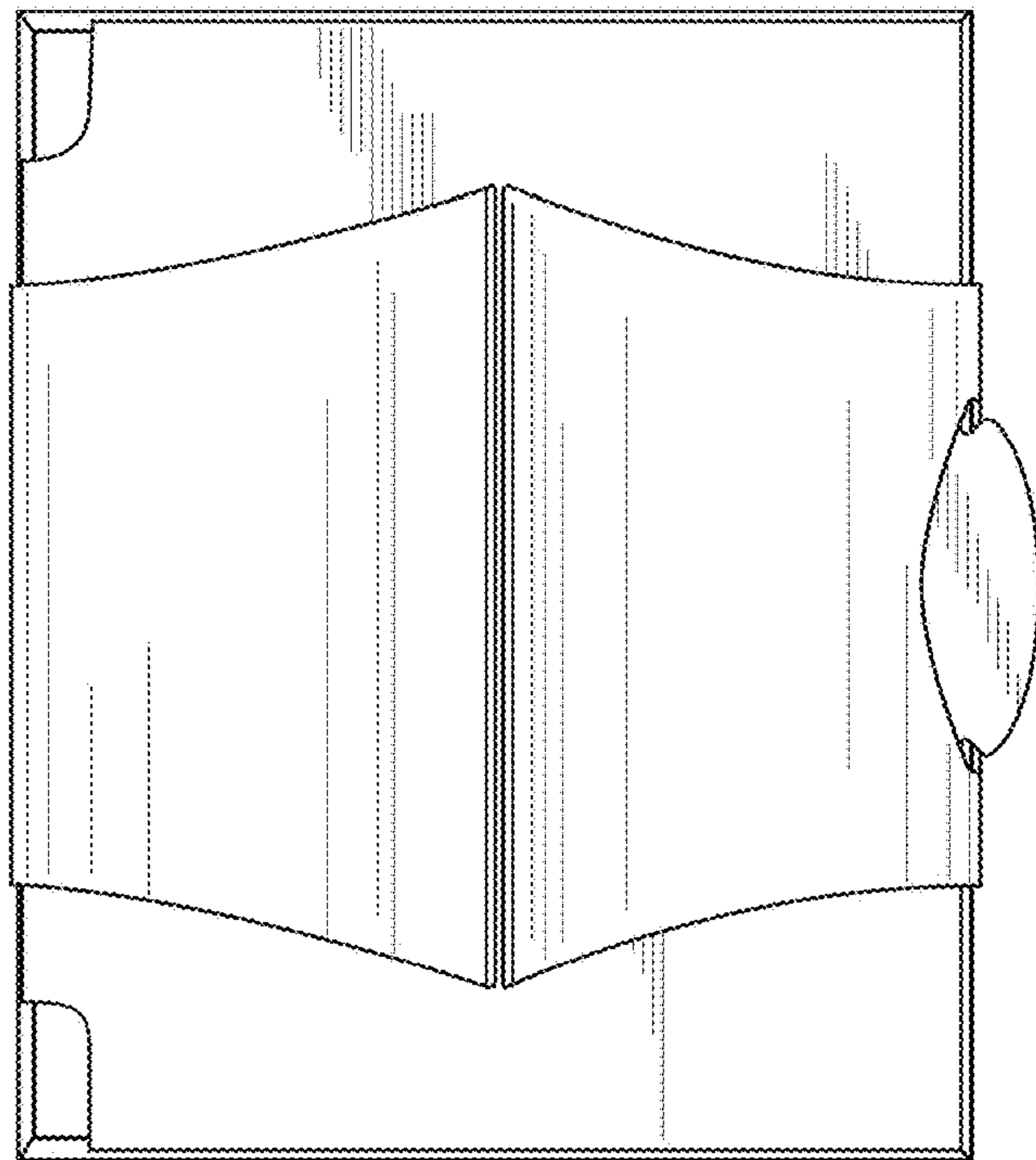


FIG. 5

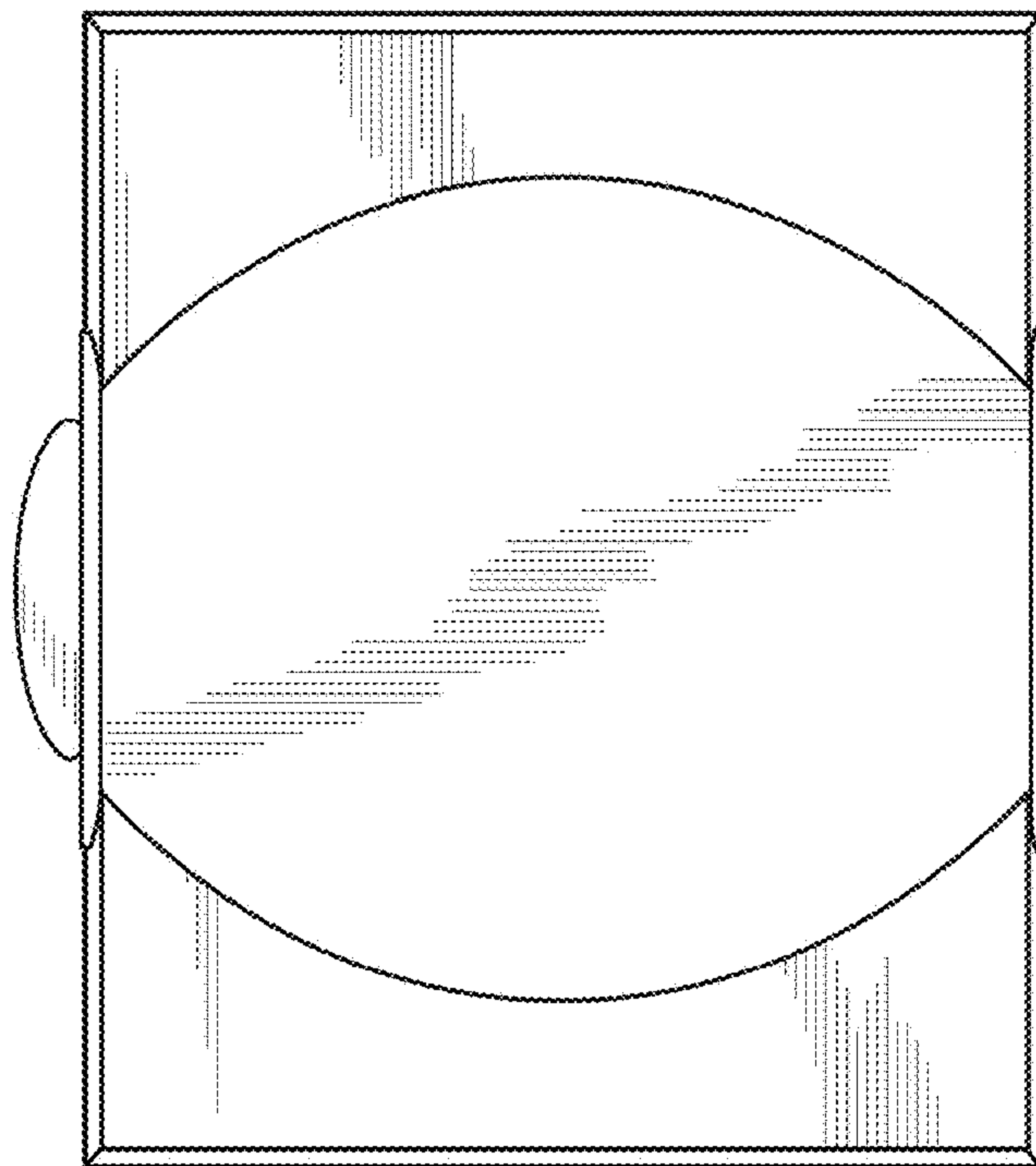


FIG. 6