

US00D864745S

(12) **United States Design Patent**  
**Billen**

(10) **Patent No.:** **US D864,745 S**

(45) **Date of Patent:** **\*\* Oct. 29, 2019**

(54) **VEHICLE CARTON**

(71) Applicant: **Kid Stuff Marketing, Inc.**, Topeka, KS (US)

(72) Inventor: **William D. Billen**, Topeka, KS (US)

(73) Assignee: **Kid Stuff Marketing, Inc.**, Topeka, KS (US)

(\*\*) Term: **15 Years**

(21) Appl. No.: **29/611,510**

(22) Filed: **Jul. 21, 2017**

(51) **LOC (12) Cl.** ..... **09-01**

(52) **U.S. Cl.**

USPC ..... **D9/672**; D9/675; D9/433

(58) **Field of Classification Search**

USPC ..... D9/414-434, 442-444, 457, 614-624,  
D9/661-664, 672, 676, 697-699, 711,  
D9/754, 759; D7/601, 602, 709;  
D3/273, 276, 304, 309-313

CPC ..... B65D 5/00; B65D 5/001; B65D 5/0015;  
B65D 5/0227-0254; B65D 5/18; B65D  
5/38; B65D 5/40; B65D 5/2033; B65D  
1/22; B65D 1/24; B65D 1/34; B65D  
71/16; B65B 5/06

See application file for complete search history.

(56) **References Cited**

**U.S. PATENT DOCUMENTS**

979,812 A	12/1910	Warren	
1,330,654 A	2/1920	Alexander	
D62,148 S *	3/1923	Kuhn	D9/672
1,547,176 A	7/1925	Lazaron	
1,553,793 A	9/1925	Rozowsky	
2,118,821 A	5/1938	Ringler	
D167,095 S *	6/1952	Pennebaker	D9/672
D172,877 S	8/1954	Handler et al.	
2,823,844 A	2/1958	Frankenstein	
3,224,660 A	12/1965	Willis	
D214,262 S	5/1969	Paige	

D219,930 S	2/1971	Fogarty et al.
4,055,250 A	10/1977	Mayhew
D256,670 S	9/1980	Fish
4,643,349 A	2/1987	Sheffer
4,646,959 A	3/1987	Sheffer
4,661,082 A	4/1987	Sheffer
4,804,133 A	2/1989	Kiyokane
5,454,508 A	10/1995	Billen
D374,175 S	10/1996	Tesar

(Continued)

**FOREIGN PATENT DOCUMENTS**

CA 163425 \* 7/2015

**OTHER PUBLICATIONS**

Disney Cars Cardboard Box. Online, published date unknown. Retrieved on Sep. 10, 2018 from URL: <https://picturelights.club/galleries/disney-cars-cardboard-box.html>.\*

(Continued)

*Primary Examiner* — Susan Bennett Hattan

*Assistant Examiner* — Omeed Agilee

(74) *Attorney, Agent, or Firm* — Erickson Kernell IP, LLC

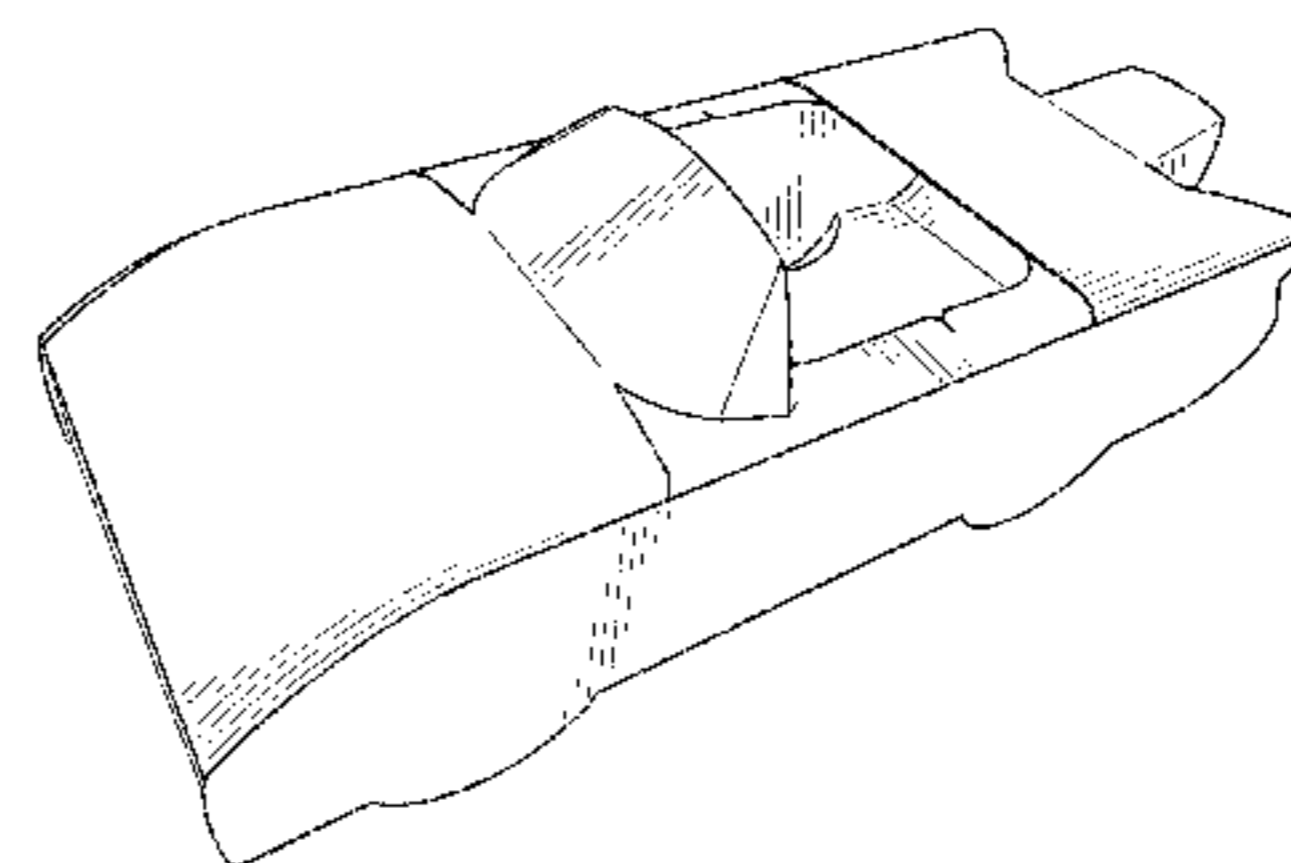
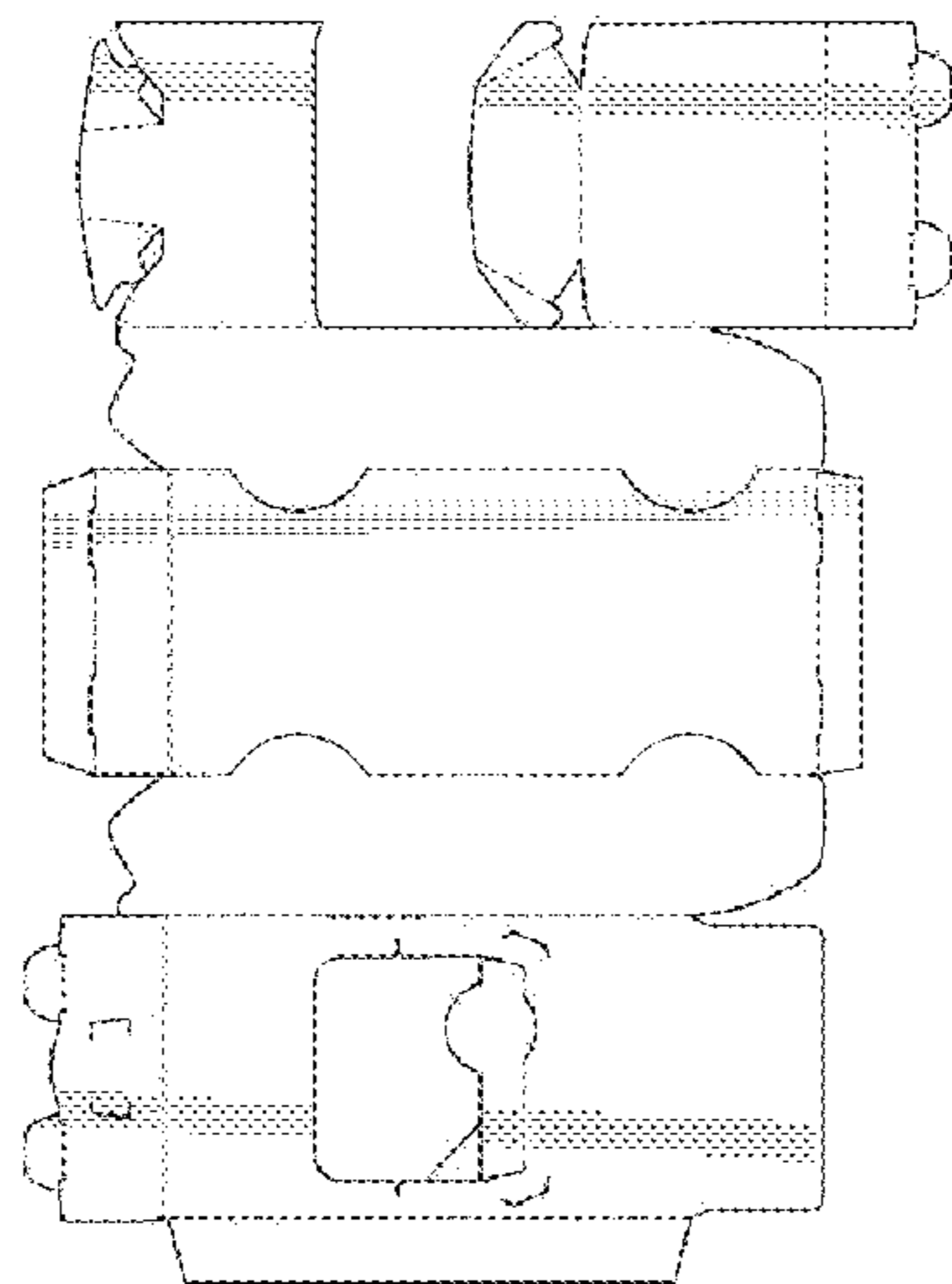
(57) **CLAIM**

The ornamental design for a vehicle carton, as shown and described.

**DESCRIPTION**

FIG. 1 is a flat unfolded view of a vehicle carton; FIG. 2 is a top view of the vehicle carton of FIG. 1 in the folded form; FIG. 3 is a bottom view thereof; FIG. 4 is a right side view thereof; FIG. 5 is a front end view thereof; FIG. 6 is a back end view thereof; and, FIG. 7 is a perspective view thereof. The broken lines in FIG. 1 depict fold lines.

**1 Claim, 3 Drawing Sheets**



(56)

References Cited

U.S. PATENT DOCUMENTS

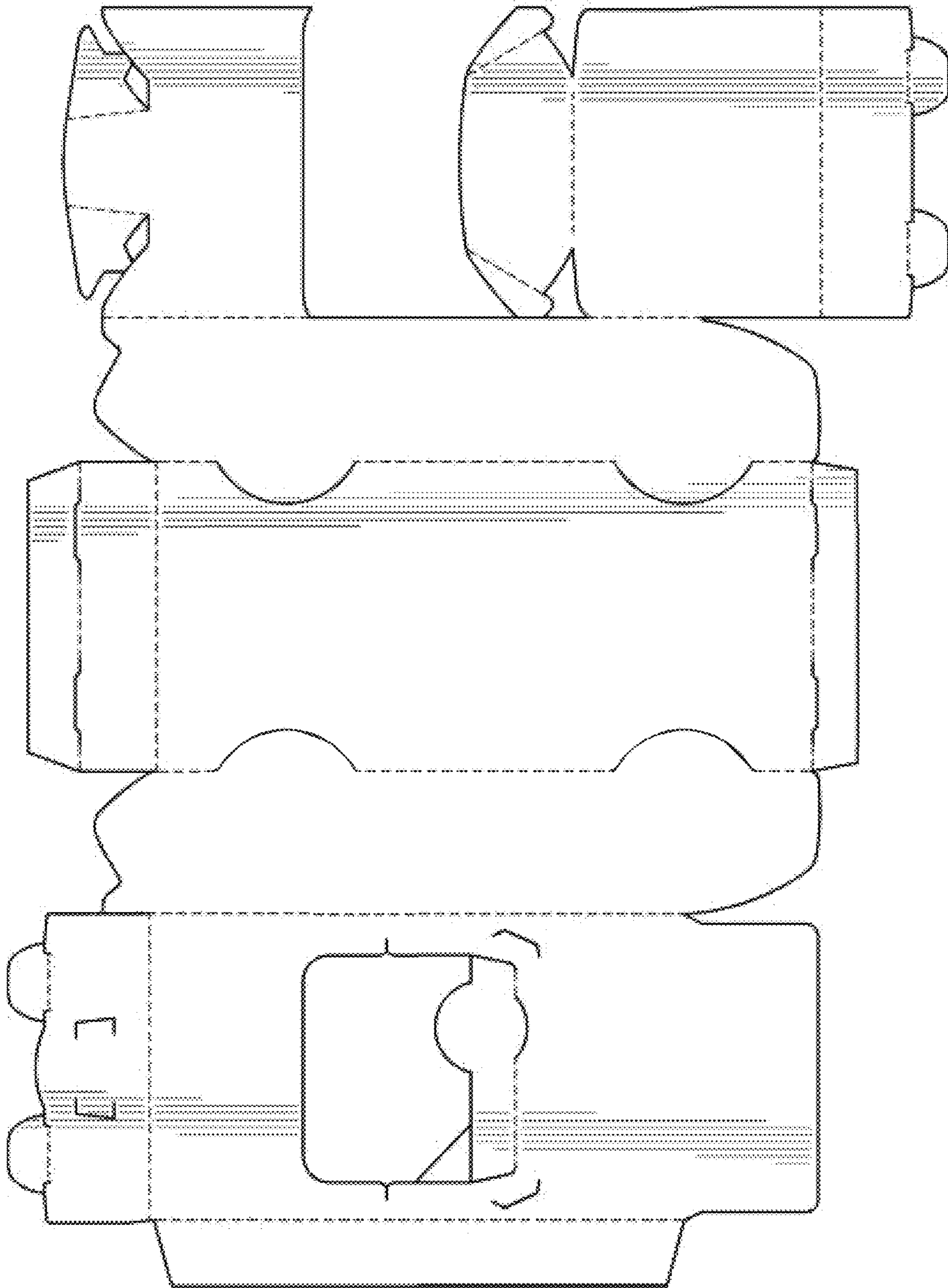
5,622,256 A 4/1997 Tesar  
 D386,399 S 11/1997 Stokely et al.  
 D408,211 S 4/1999 Cordell  
 D434,318 S \* 11/2000 Chiang ..... D9/418  
 D444,187 S 6/2001 Mankowski  
 D513,283 S \* 12/2005 Wampler ..... D11/142  
 D531,516 S 11/2006 Sellars  
 D534,810 S 1/2007 Sellars  
 D536,260 S 2/2007 Young et al.  
 D538,176 S 3/2007 Wilburn  
 D547,396 S 7/2007 Yaguchi  
 7,317,573 B2 1/2008 Billen  
 7,487,903 B2 2/2009 Billen  
 7,765,551 B2 7/2010 Broberg  
 D624,828 S \* 10/2010 Brogan ..... D21/555  
 D638,305 S 5/2011 Brogan et al.  
 8,511,537 B2 8/2013 Billen  
 8,783,548 B2 7/2014 Billen  
 D751,414 S 3/2016 Billen  
 D752,449 S 3/2016 Billen  
 D752,450 S 3/2016 Billen  
 D752,451 S 3/2016 Billen  
 D763,097 S 8/2016 Billen  
 D763,098 S 8/2016 Billen  
 D763,099 S 8/2016 Billen  
 D768,003 S 10/2016 Billen

9,469,460 B2 10/2016 Billen  
 D778,169 S 2/2017 Billen  
 D781,702 S \* 3/2017 Sanfilippo ..... D9/433  
 D792,235 S 7/2017 Billen  
 D792,236 S 7/2017 Billen  
 D792,237 S 7/2017 Billen  
 D823,125 S \* 7/2018 Klein ..... D9/676  
 2014/0166735 A1 \* 6/2014 Billen ..... B65D 5/425  
 229/116.4

OTHER PUBLICATIONS

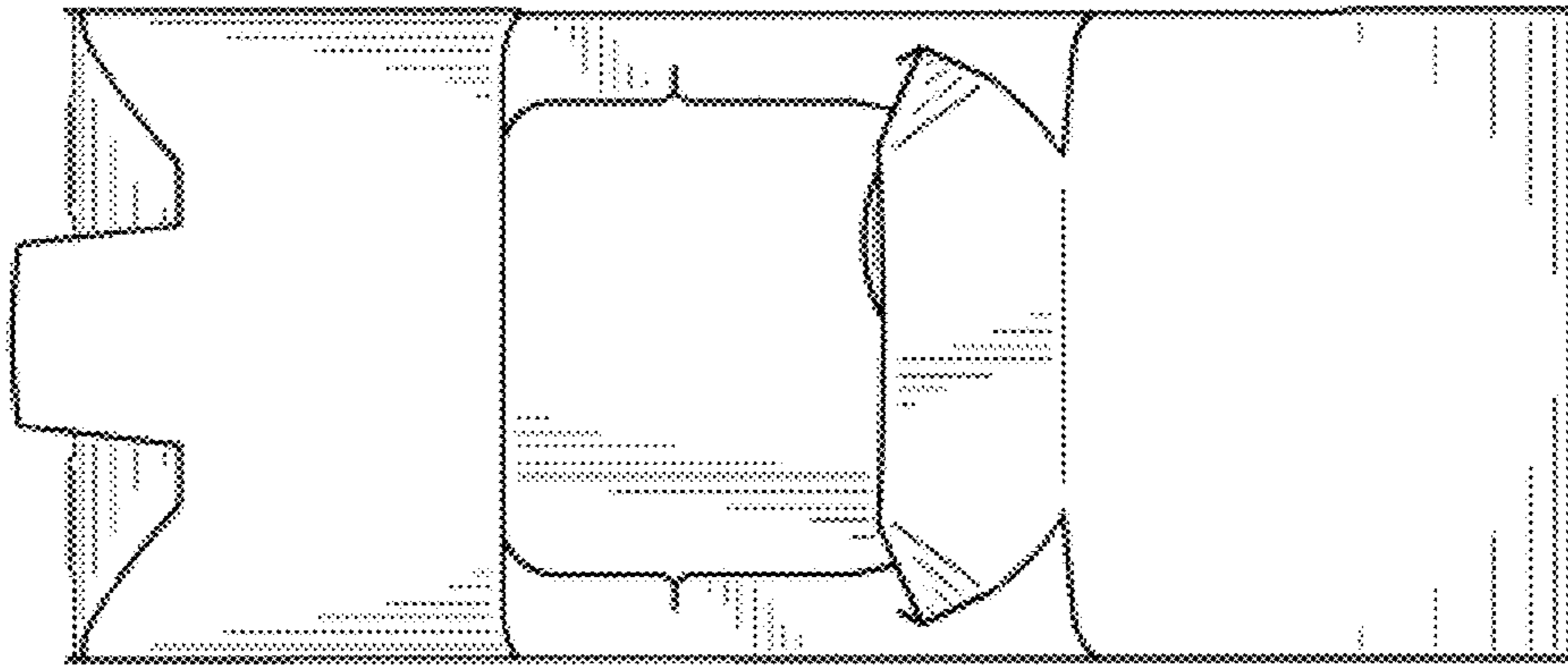
Automobile catalog, <http://www.automobile-catalog.com/photo/1958/293750/83510.html>, Buick Series 60 Century Convertible Variable-Pitch-Dynaflow (1958), GM Corp., undated.  
 Barrett-Jackson Auction Company, <http://www.barrett-jackson.com/Events/Event/Details/1958/CHEVROLET-CORVETTE-CONVERTIBLE-139302>, 1958 Chevrolet Corvette Convertible.  
[www.boldride/ride/1957/ford-fairlane-500-sunliner-convertible](http://www.boldride/ride/1957/ford-fairlane-500-sunliner-convertible).  
<http://classiccars.com/listings/view/589739/1958-chevrolet-impala-for-sale-in-west-okoboji-iowa-51351>.  
 Daniel Schmitt & Co. Classic Car Gallery, [www.schmitt.com/inventory/ds-1958-pontiac-bonneville-convertible](http://www.schmitt.com/inventory/ds-1958-pontiac-bonneville-convertible), undated.  
 Thunderbird Ranch, [www.tbirdranch.com/6163specific.html](http://www.tbirdranch.com/6163specific.html).  
<http://mecum.com/lot-detail-CA0810-96584/0/1958-Ford-Fairlane-500-Sunliner-convertible/automatic>.

\* cited by examiner

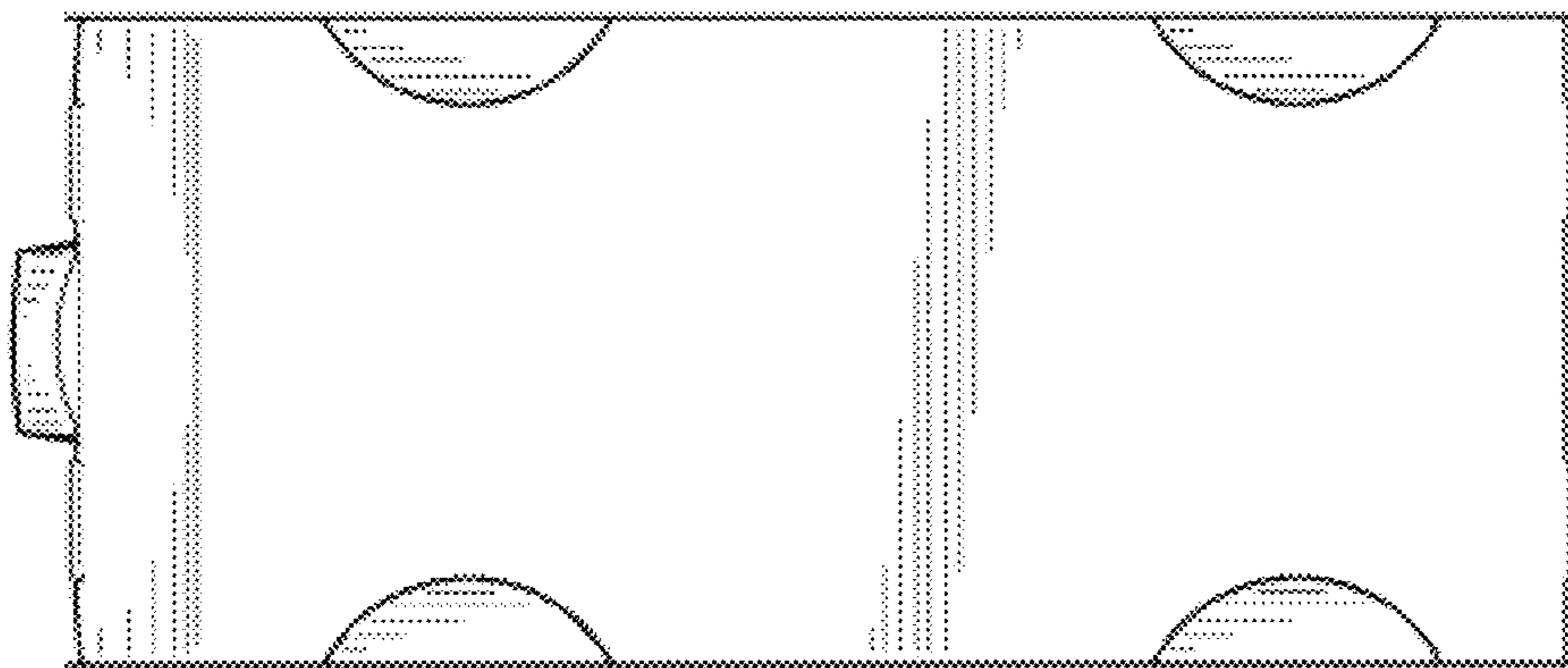


*Fig. 1*

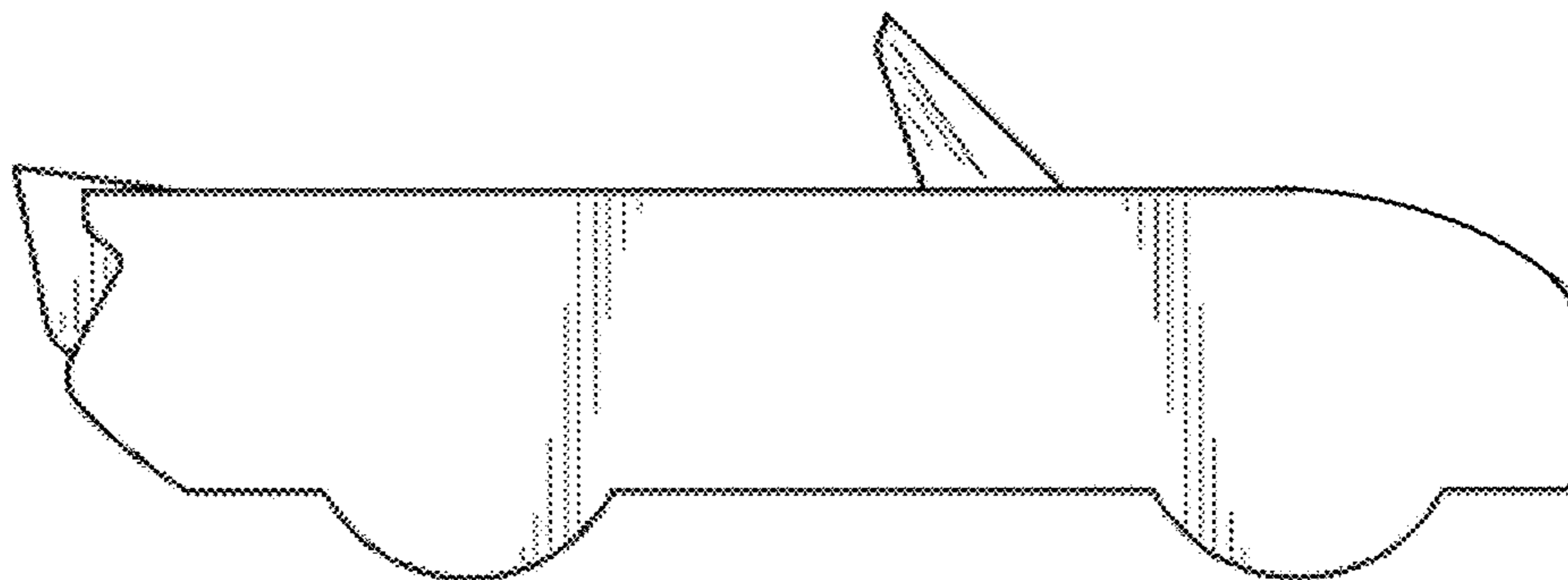




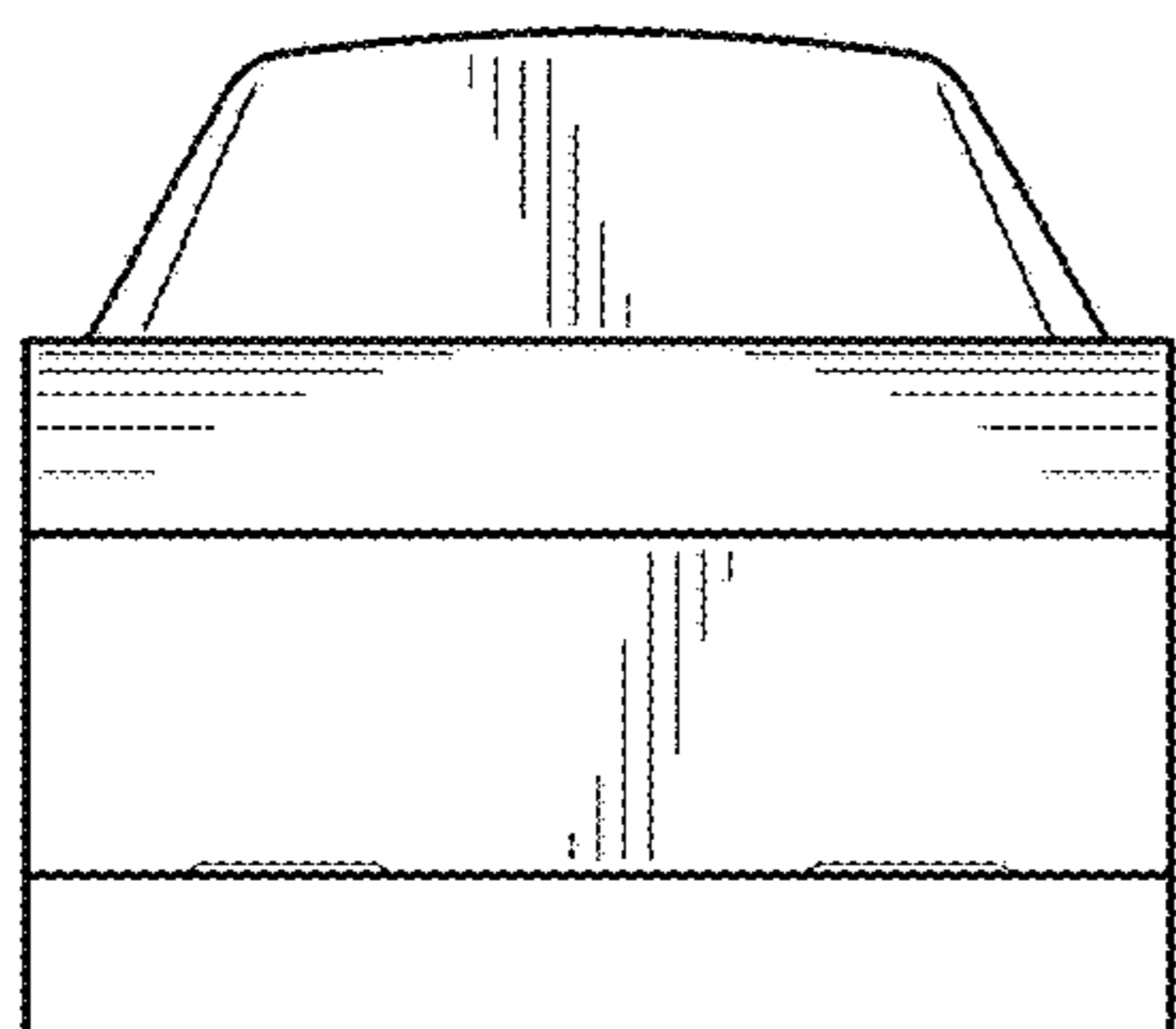
*Fig. 2*



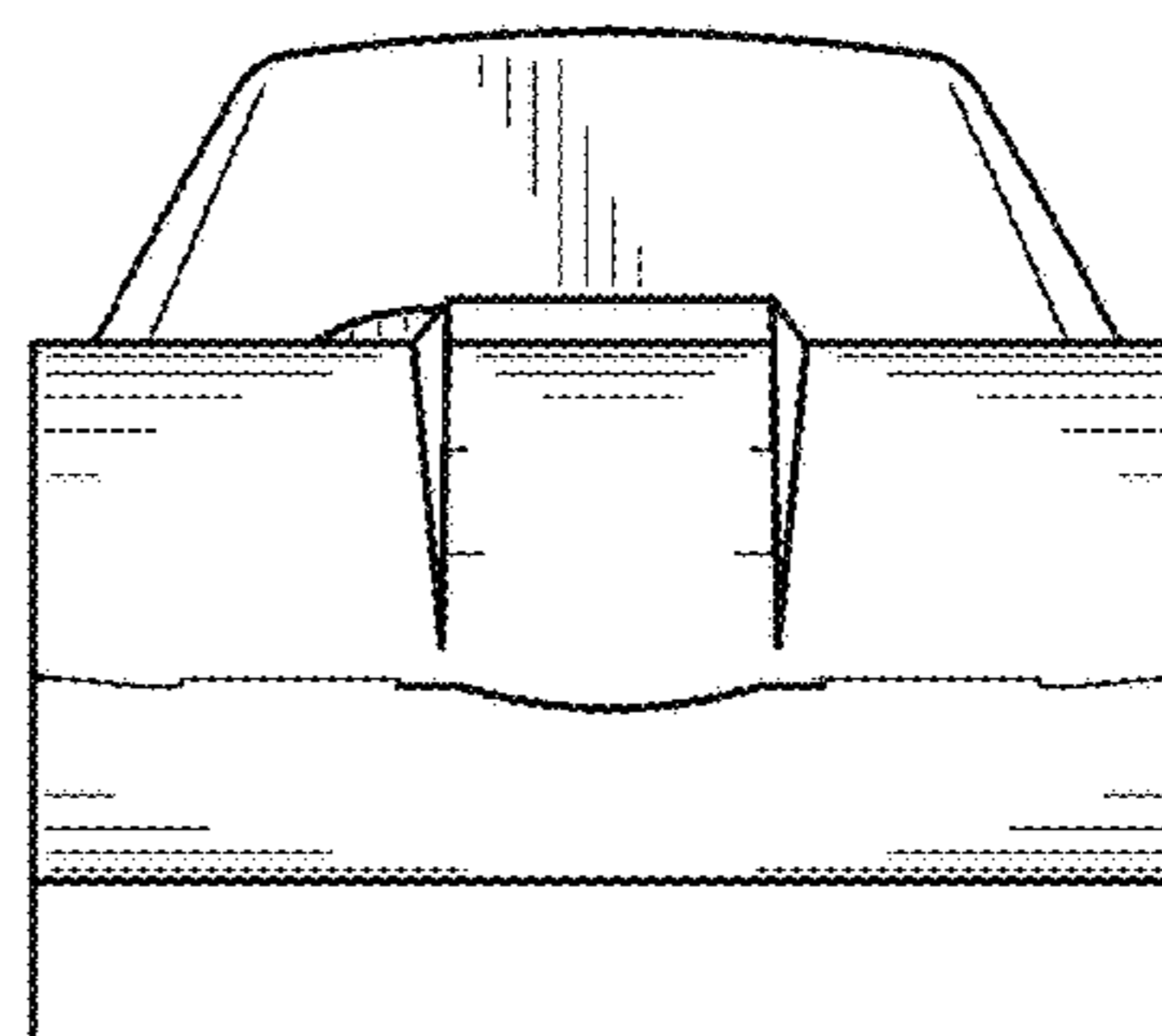
*Fig. 3*



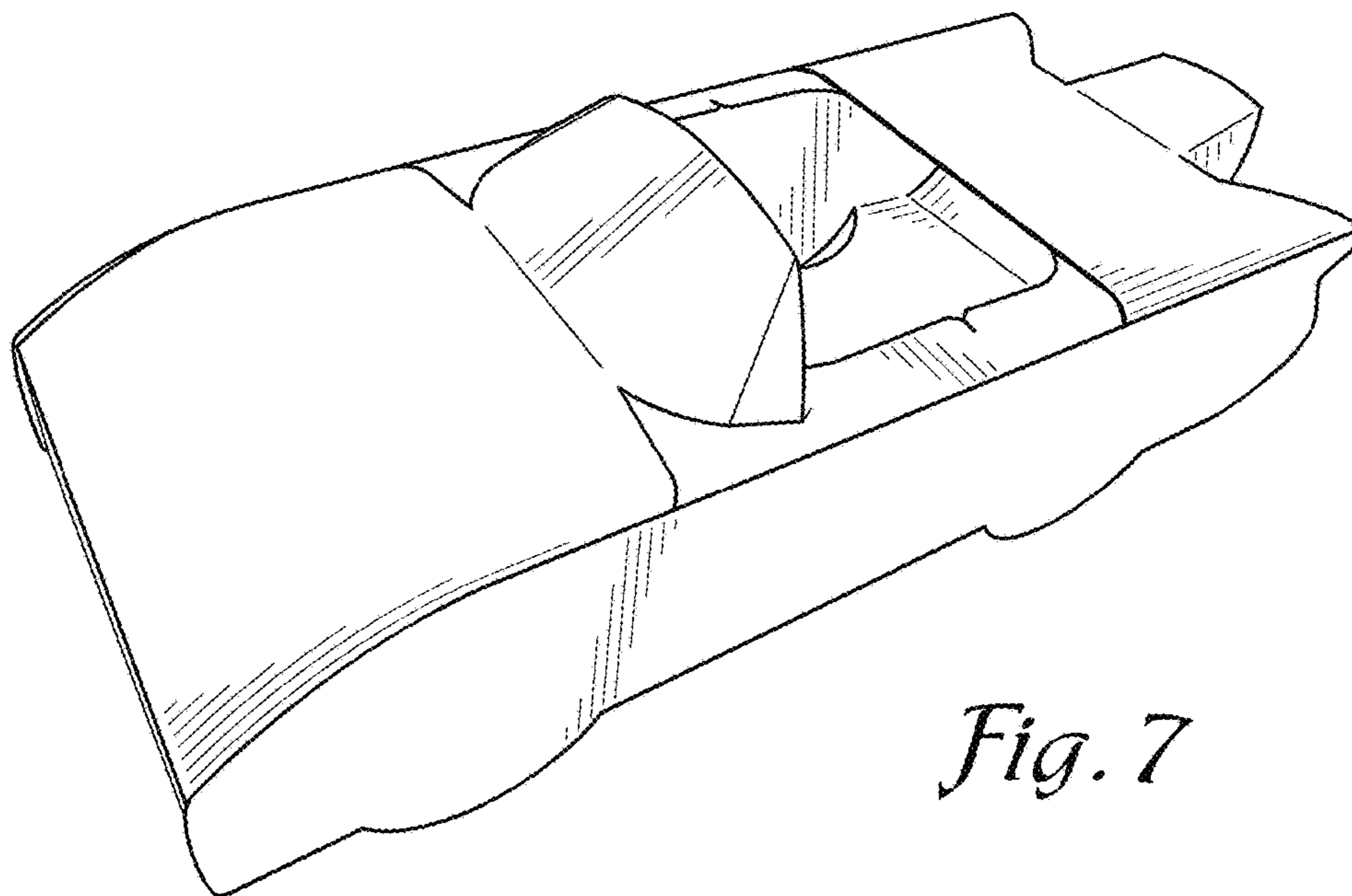
*Fig. 4*



*Fig. 5*



*Fig. 6*



*Fig. 7*