

US00D864743S

(12) **United States Design Patent** (10) **Patent No.:** **US D864,743 S**
Franco (45) **Date of Patent:** **** Oct. 29, 2019**

(54) **BOTTLE**
(71) Applicant: **Abraham Franco**, North Miami, FL (US)
(72) Inventor: **Abraham Franco**, North Miami, FL (US)
(**) Term: **15 Years**
(21) Appl. No.: **29/637,168**
(22) Filed: **Feb. 14, 2018**
(51) **LOC (12) Cl.** **09-01**
(52) **U.S. Cl.**
USPC **D9/649**; D9/544; D9/575
(58) **Field of Classification Search**
USPC D3/202, 270, 271.1–271.4; D7/301–303, D7/509–511, 514–521, 529, 594, 599, D7/604, 613, 619.2, 623, 628; D9/600, D9/649, 667, 500–516, 523, 528, D9/544–546, 562, 572–575; 206/457, 206/459.5, 527; 215/381–384, 400; D11/62
CPC B65D 5/42; B65D 5/4258; B65D 81/60; B65D 81/365; B65D 81/366; B65D 81/368; B65D 2203/00; B65D 2203/02; B65D 5/4208; B65D 77/00; B65D 67/00; A63H 33/16
See application file for complete search history.

D188,629 S * 8/1960 Hawkins D9/649
D253,033 S * 10/1979 Meyer D9/544
D307,392 S * 4/1990 Weckman D9/528
D316,960 S * 5/1991 Wilkerson D9/649
D334,138 S * 3/1993 Larsen D9/649
D367,425 S * 2/1996 Allen D9/528
D442,488 S * 5/2001 LePage D9/523
D462,261 S * 9/2002 Davis D9/649
D479,124 S * 9/2003 Pope D9/649
D713,733 S * 9/2014 Ford D9/548
D714,646 S * 10/2014 Libman D9/523
D730,672 S * 6/2015 Darling D7/302

* cited by examiner

Primary Examiner — Sandra L Morris
(74) *Attorney, Agent, or Firm* — Malloy & Malloy, P.L.

(56) **References Cited**
U.S. PATENT DOCUMENTS
D172,104 S * 5/1954 Moyer D9/562
D172,316 S * 5/1954 Sanford D9/649

(57) **CLAIM**
The ornamental design for a bottle, as shown and described.

DESCRIPTION
FIG. 1 is a front perspective view illustrating my design for a bottle;
FIG. 2 is a left side perspective view thereof;
FIG. 3 is a rear perspective view thereof;
FIG. 4 is a right side perspective view thereof;
FIG. 5 is a top view thereof;
FIG. 6 is a bottom view thereof;
FIG. 7 is a left side view thereof; and,
FIG. 8 is a right side view thereof.

1 Claim, 8 Drawing Sheets

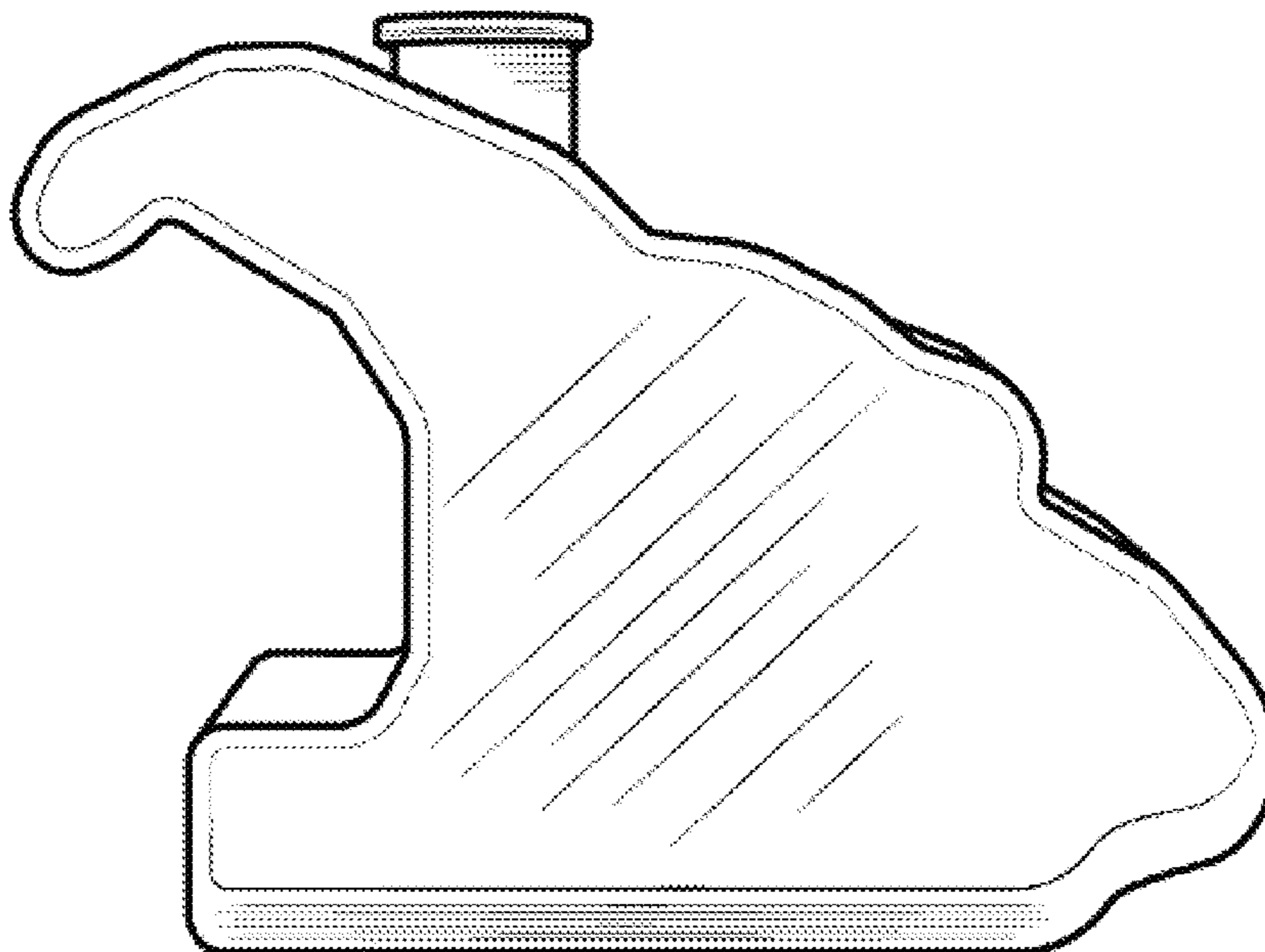


Fig. 1

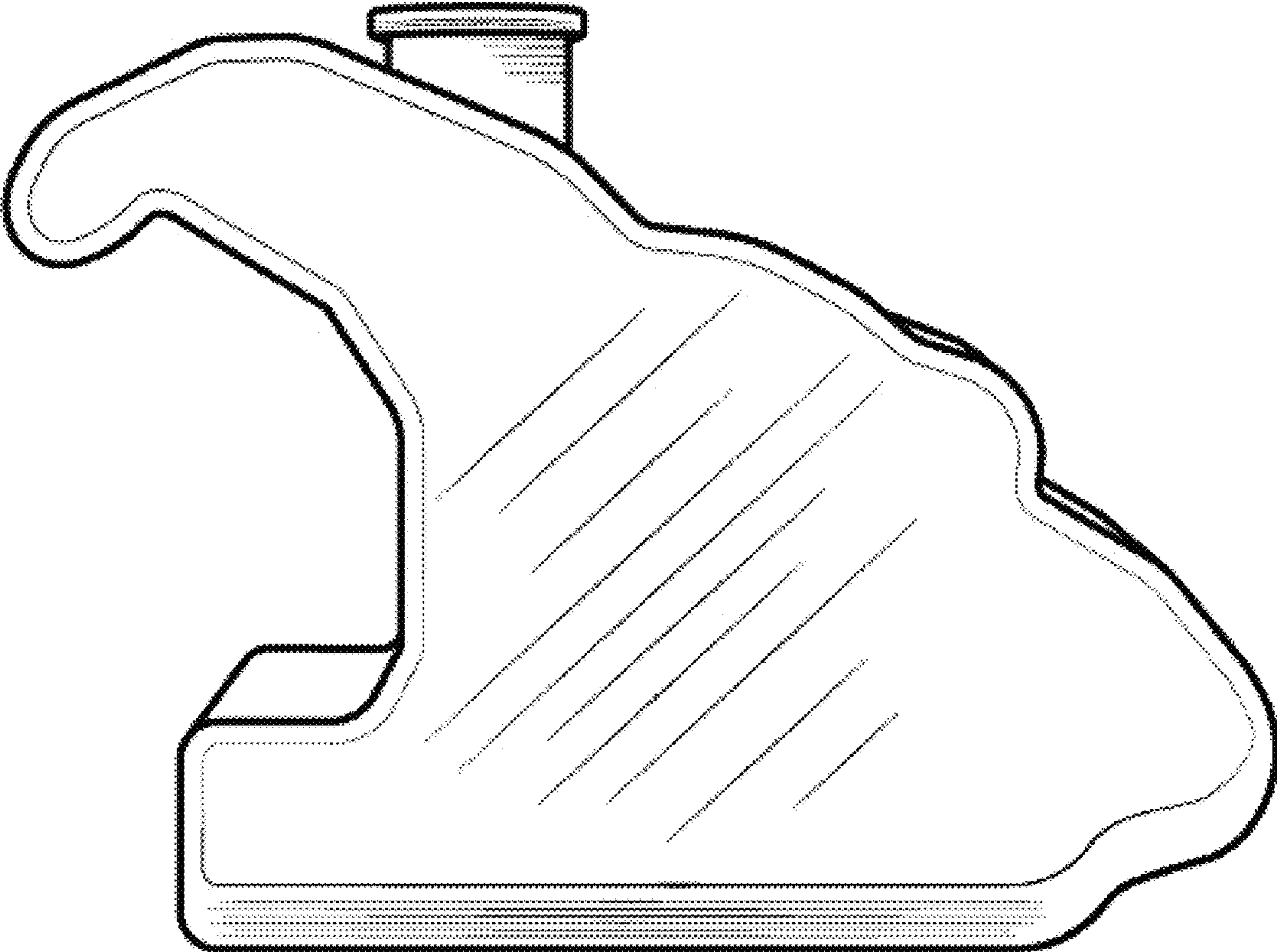


Fig. 2

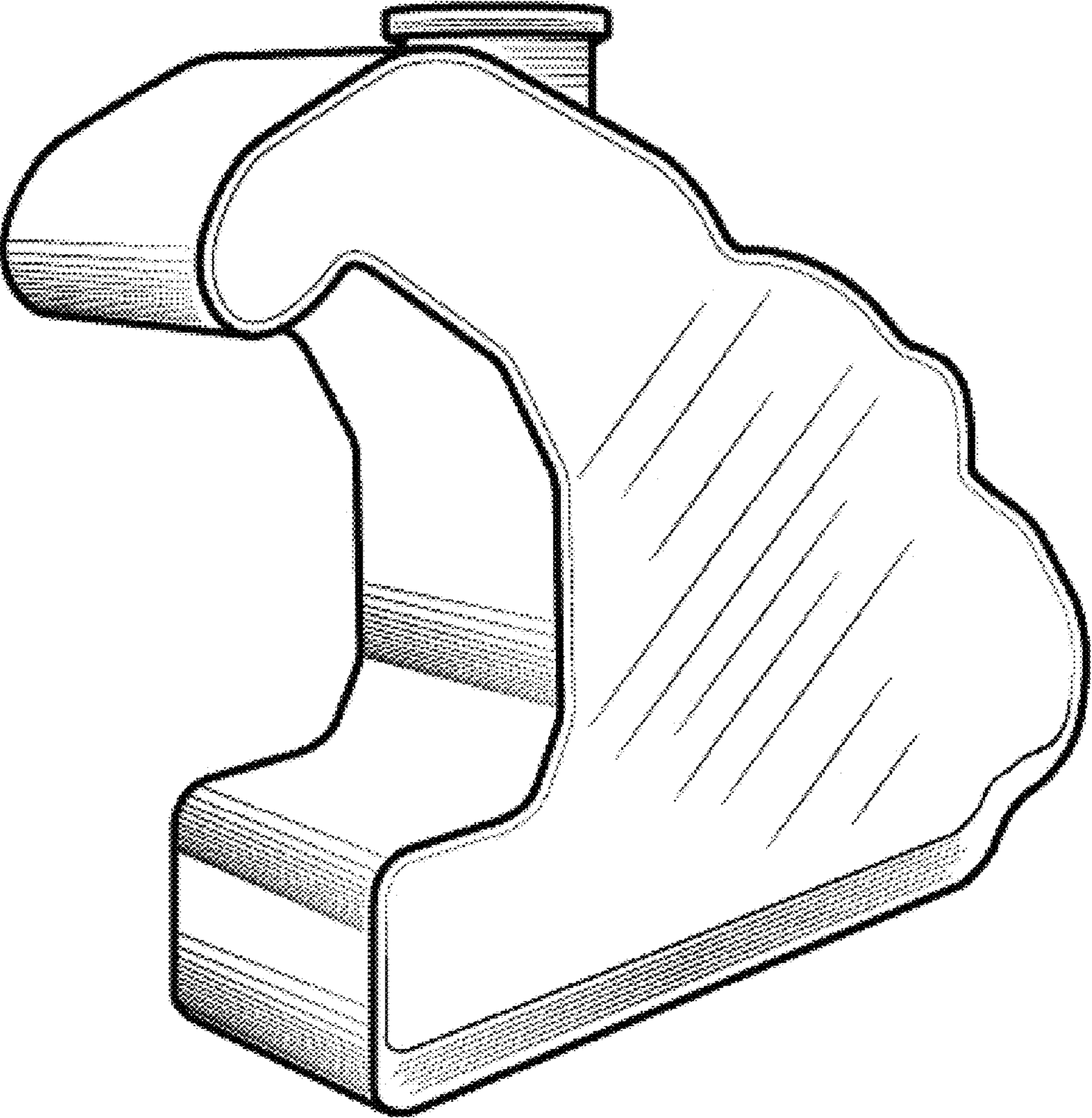


Fig. 3

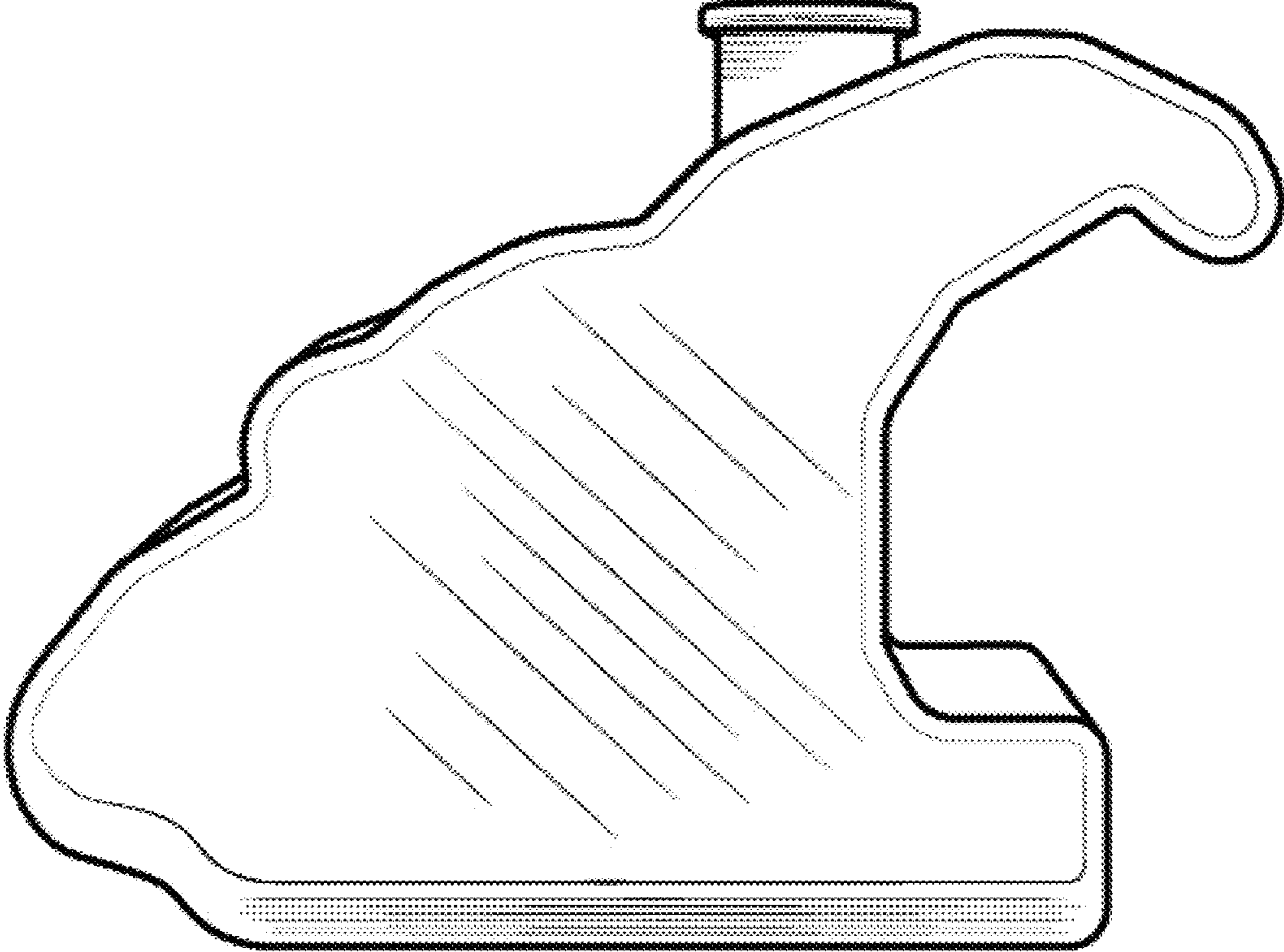


Fig. 4

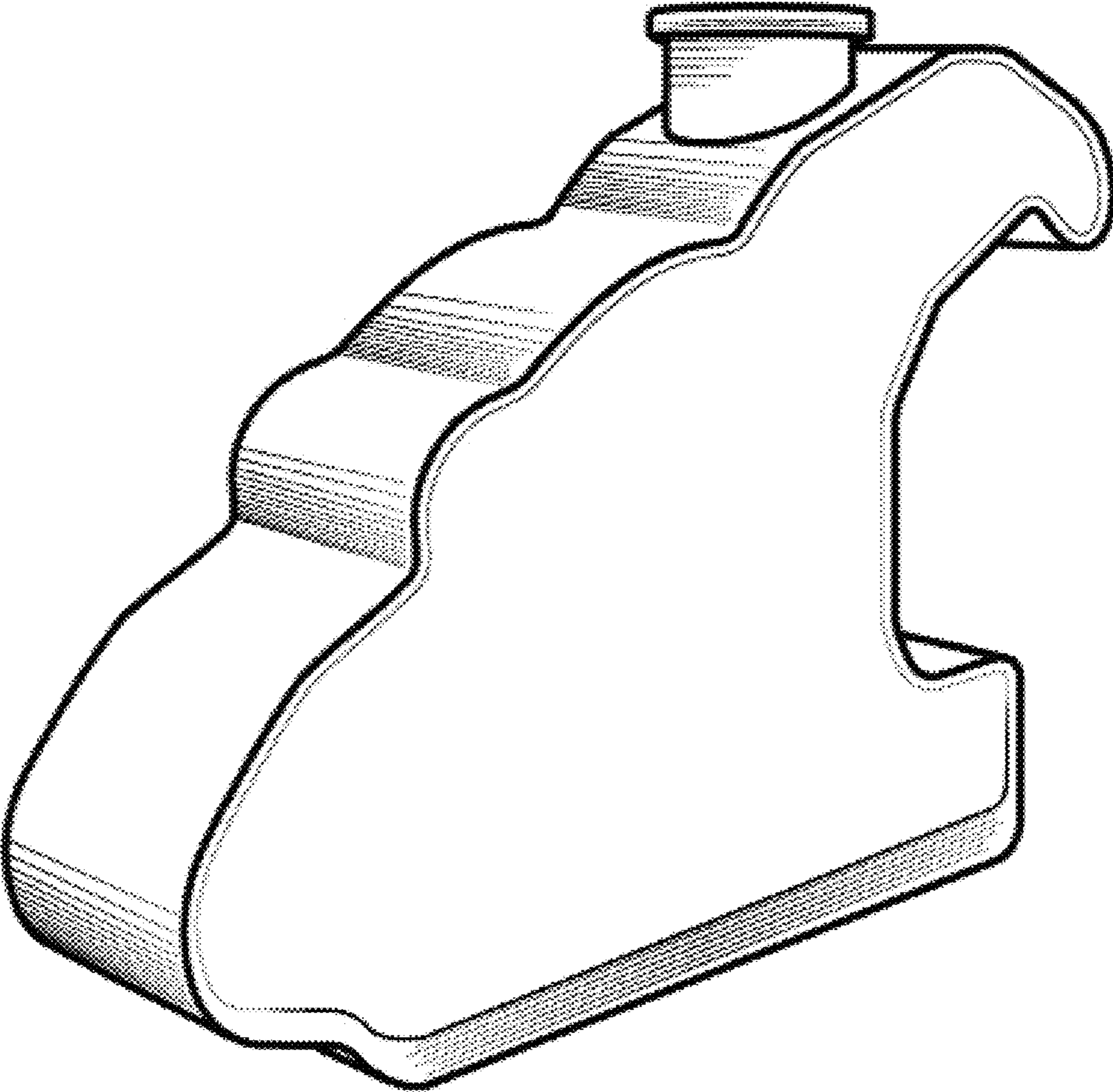


Fig. 5

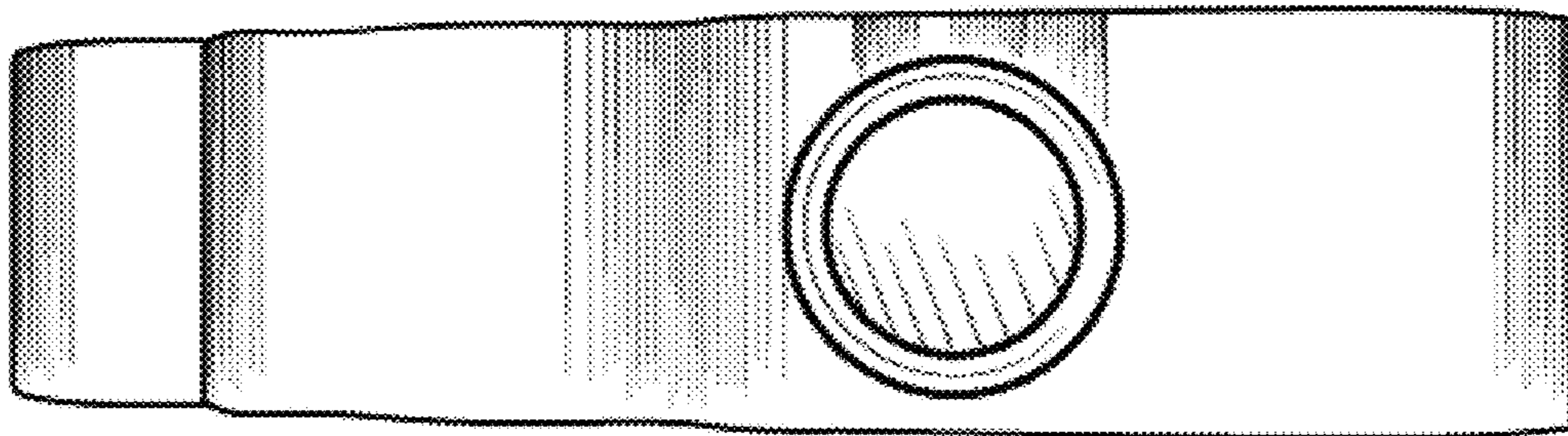


Fig. 6



Fig. 7

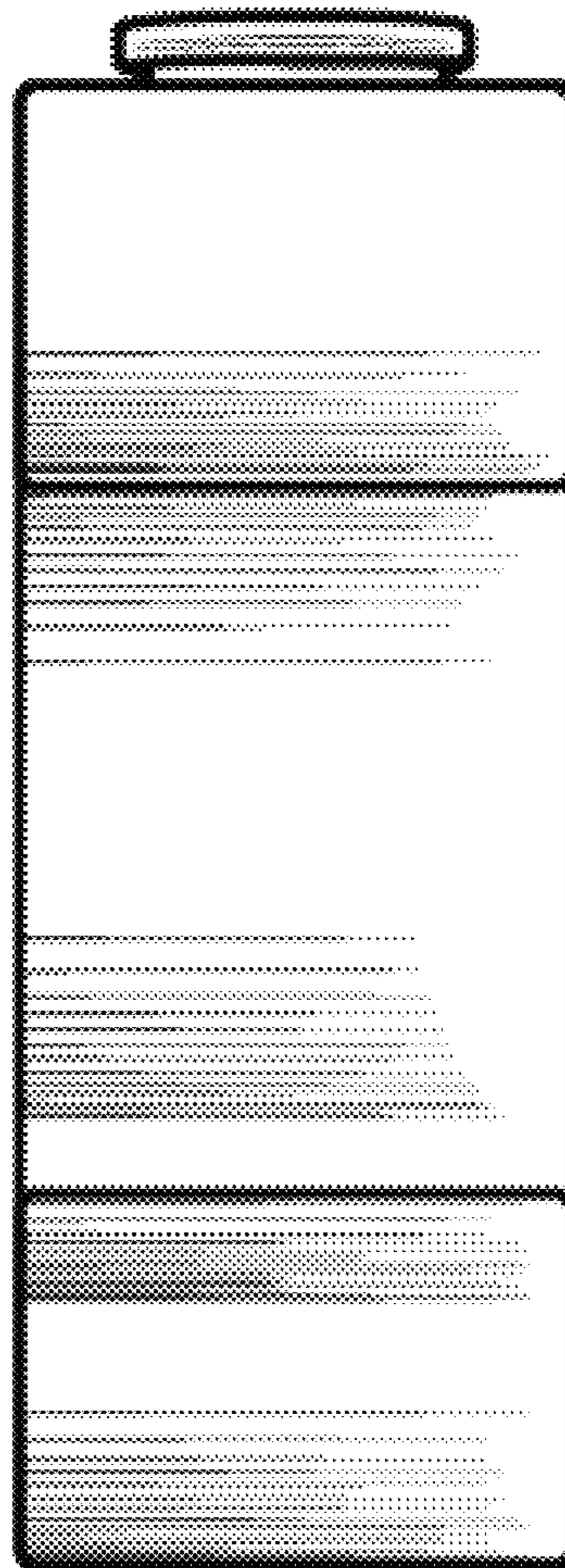


Fig. 8

