



US00D864738S

(12) **United States Design Patent**
Franco

(10) **Patent No.:** **US D864,738 S**

(45) **Date of Patent:** **** Oct. 29, 2019**

(54) **BOTTLE**

(71) Applicant: **Abraham Franco**, North Miami, FL
(US)

(72) Inventor: **Abraham Franco**, North Miami, FL
(US)

(**) Term: **15 Years**

(21) Appl. No.: **29/636,940**

(22) Filed: **Feb. 13, 2018**

(51) **LOC (12) Cl.** **09-01**

(52) **U.S. Cl.**

USPC **D9/649**; D9/544; D9/575

(58) **Field of Classification Search**

USPC D3/202, 270, 271.1–271.4; D7/301–303,
D7/509–511, 514–521, 529, 594, 599,
D7/604, 613, 619.2, 623, 628; D9/600,
D9/649, 667, 500–516, 523, 544–546,
D9/562, 572–575; 206/457, 459.5, 527;
215/381–384, 400; D11/62

CPC B65D 5/42; B65D 5/4258; B65D 81/60;
B65D 81/365; B65D 81/366; B65D
81/368; B65D 2203/00; B65D 2203/02;
B65D 5/4208; B65D 77/00; B65D 67/00;
A63H 33/16

See application file for complete search history.

(56) **References Cited**

U.S. PATENT DOCUMENTS

D39,008 S * 1/1908 Jacobs D11/62
D172,104 S * 5/1954 Moyer D9/562

D172,316 S * 5/1954 Sanford D9/649
D188,629 S * 8/1960 Hawkins D9/649
D316,960 S * 5/1991 Wilkerson D9/649
D334,138 S * 3/1993 Larsen D9/649
D462,261 S * 9/2002 Davis D9/649
D479,124 S * 9/2003 Pope D9/649
D641,249 S * 7/2011 Staller D9/414
D713,733 S * 9/2014 Ford D9/649
D730,672 S * 6/2015 Darling D7/302

* cited by examiner

Primary Examiner — Sandra L Morris

(74) *Attorney, Agent, or Firm* — Malloy & Malloy, P.L.

(57) **CLAIM**

The ornamental design for a bottle, as shown and described.

DESCRIPTION

FIG. 1 is a front perspective view illustrating my design for a bottle;

FIG. 2 is a left side perspective view thereof;

FIG. 3 is a rear perspective view thereof;

FIG. 4 is a right side perspective view thereof;

FIG. 5 is a top view thereof;

FIG. 6 is a bottom view thereof;

FIG. 7 is a right side view thereof; and,

FIG. 8 is a left side view thereof.

1 Claim, 8 Drawing Sheets

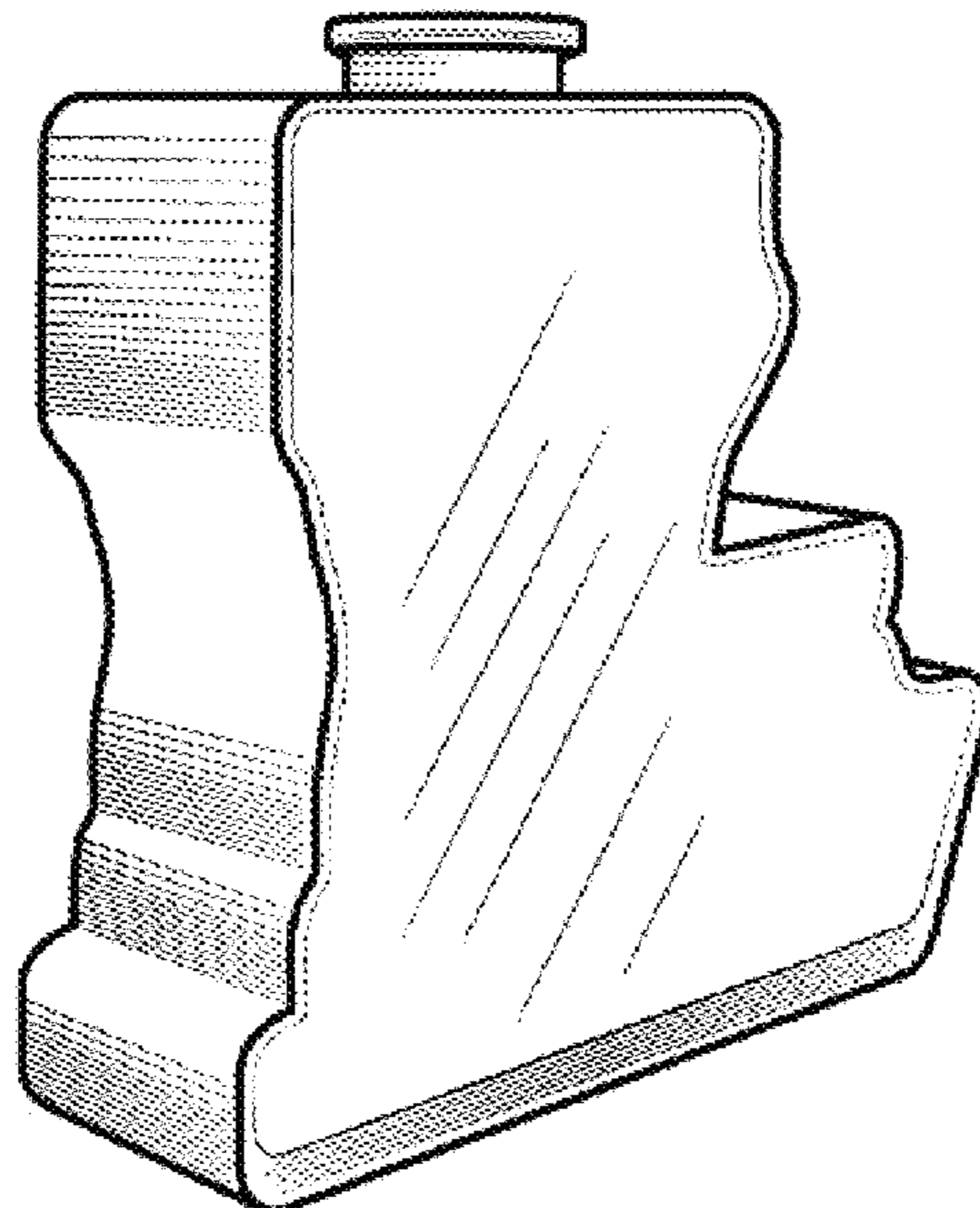


Fig. 1

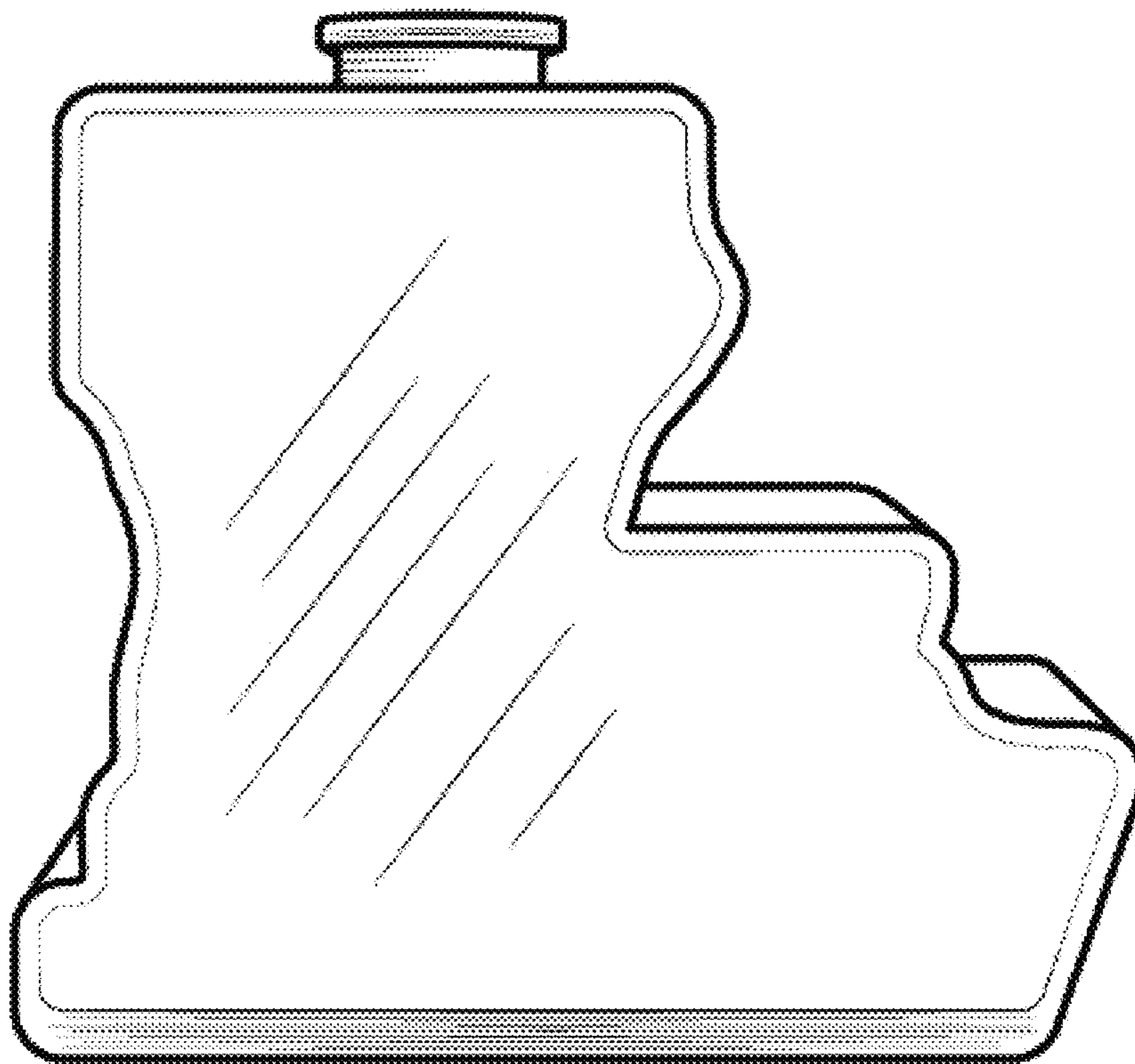


Fig. 2

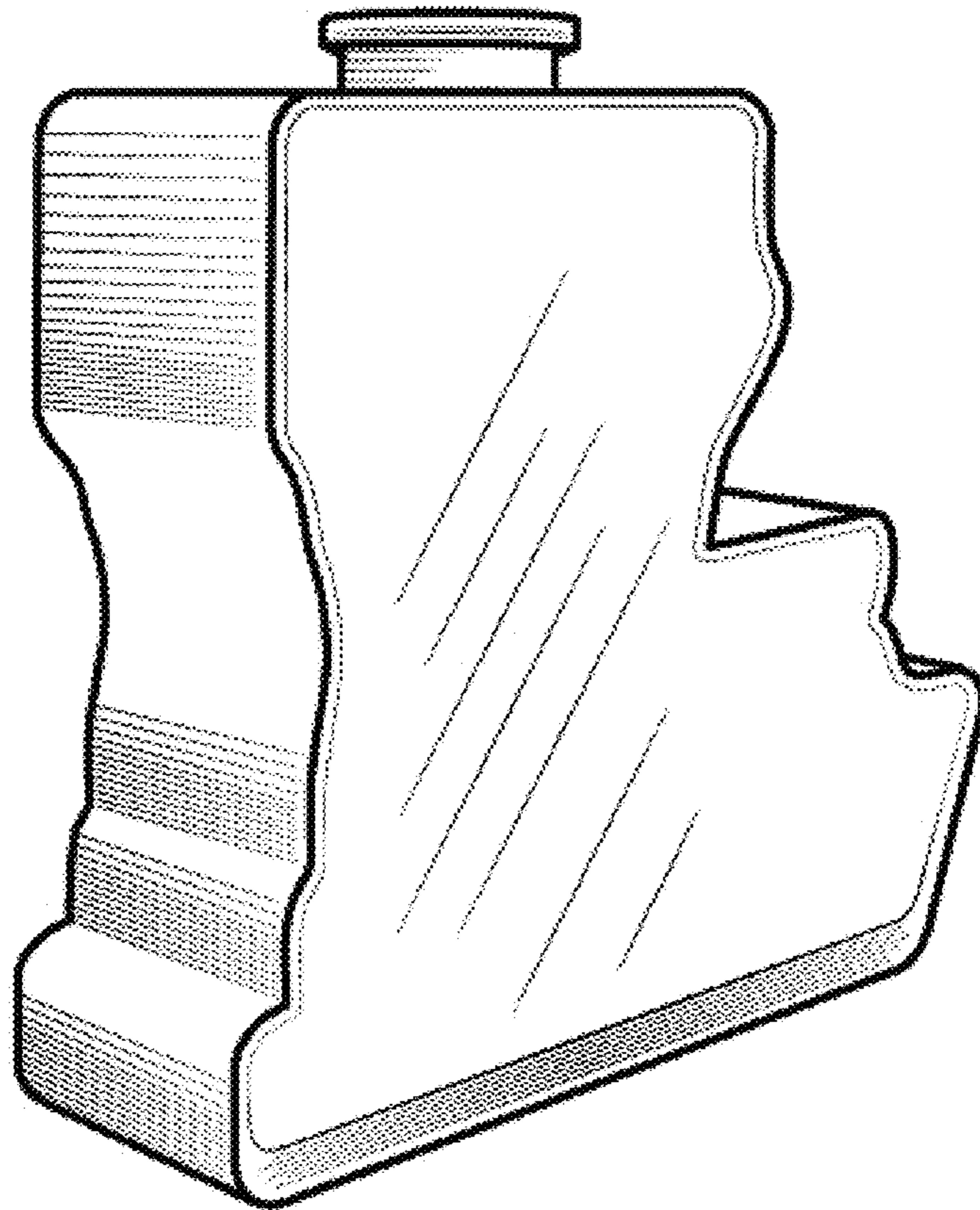


Fig. 3

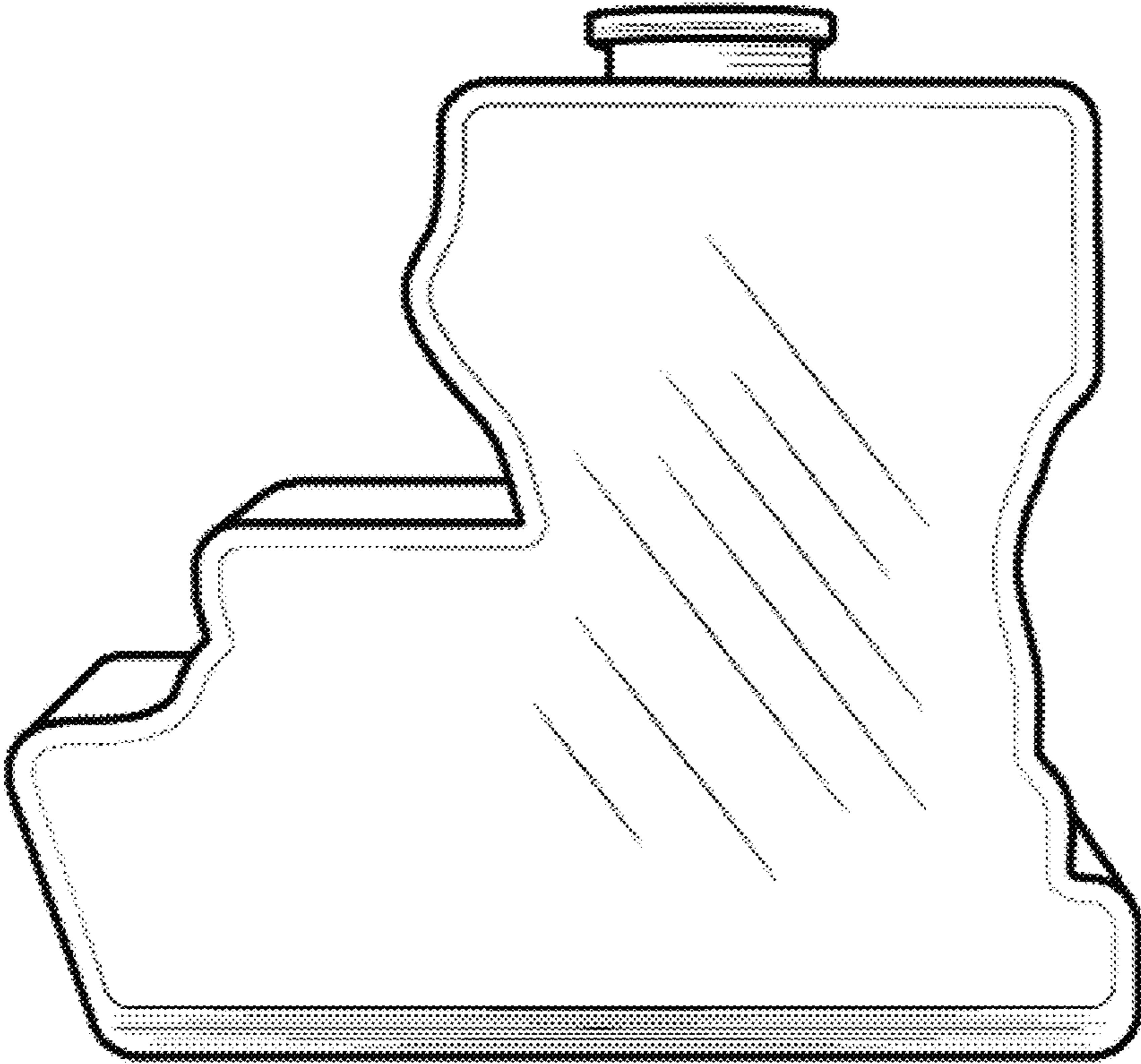


Fig. 4

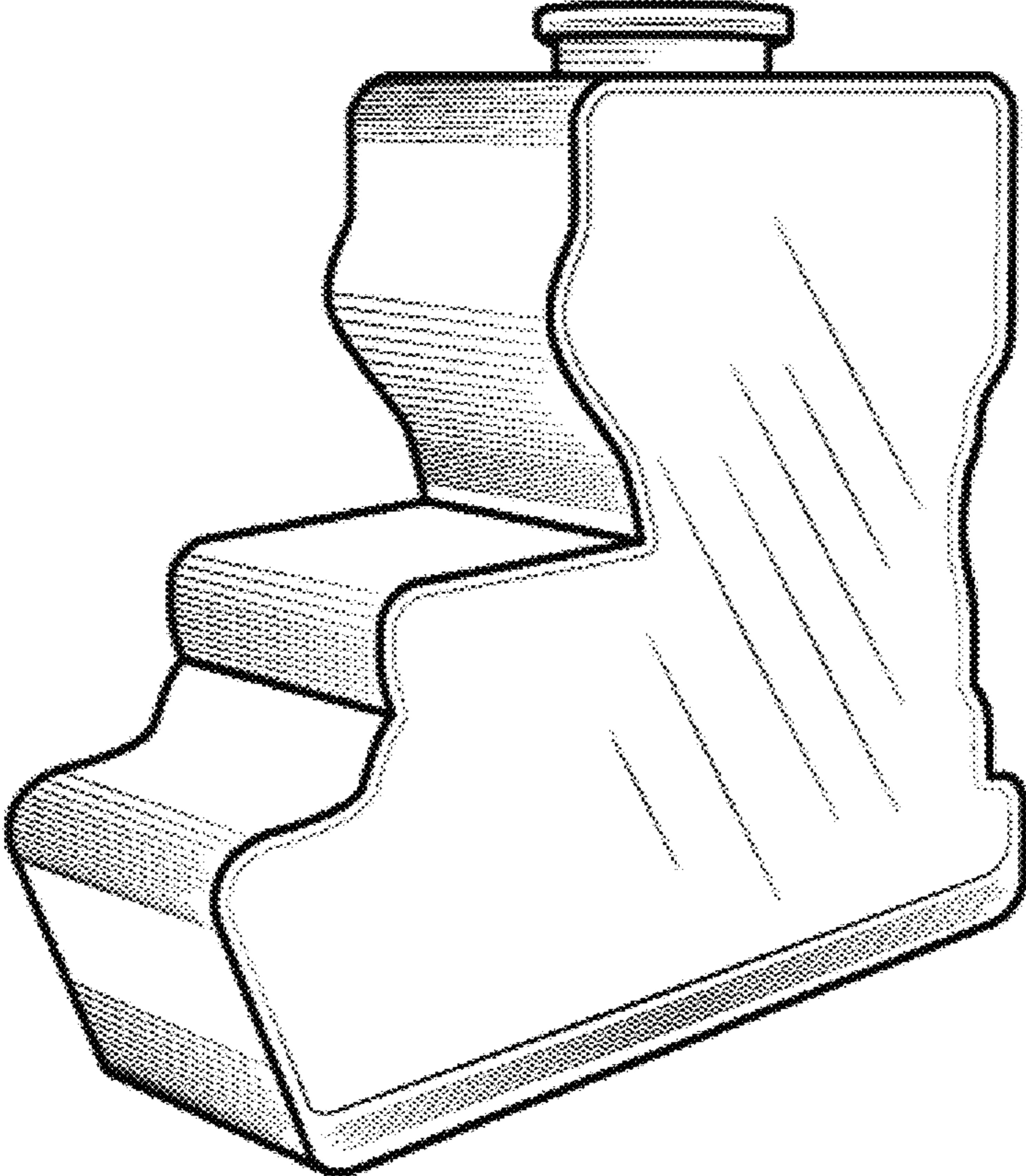


Fig. 5

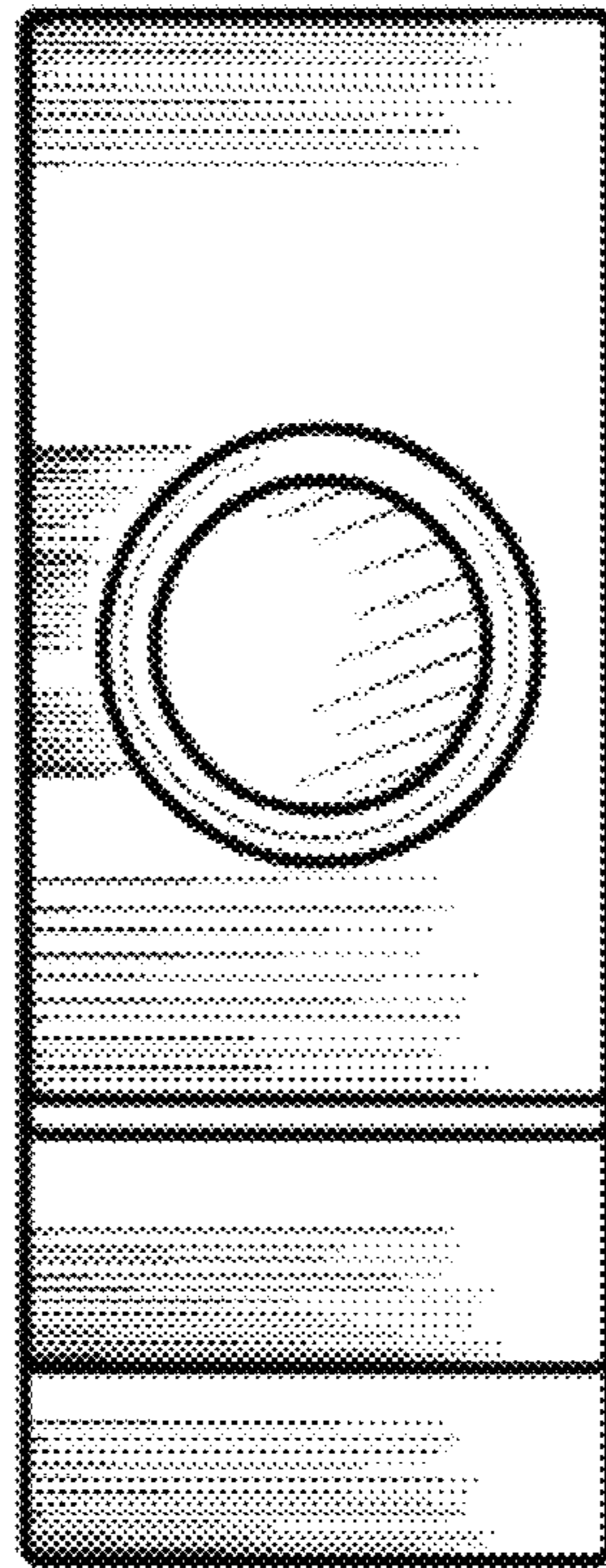


Fig. 6

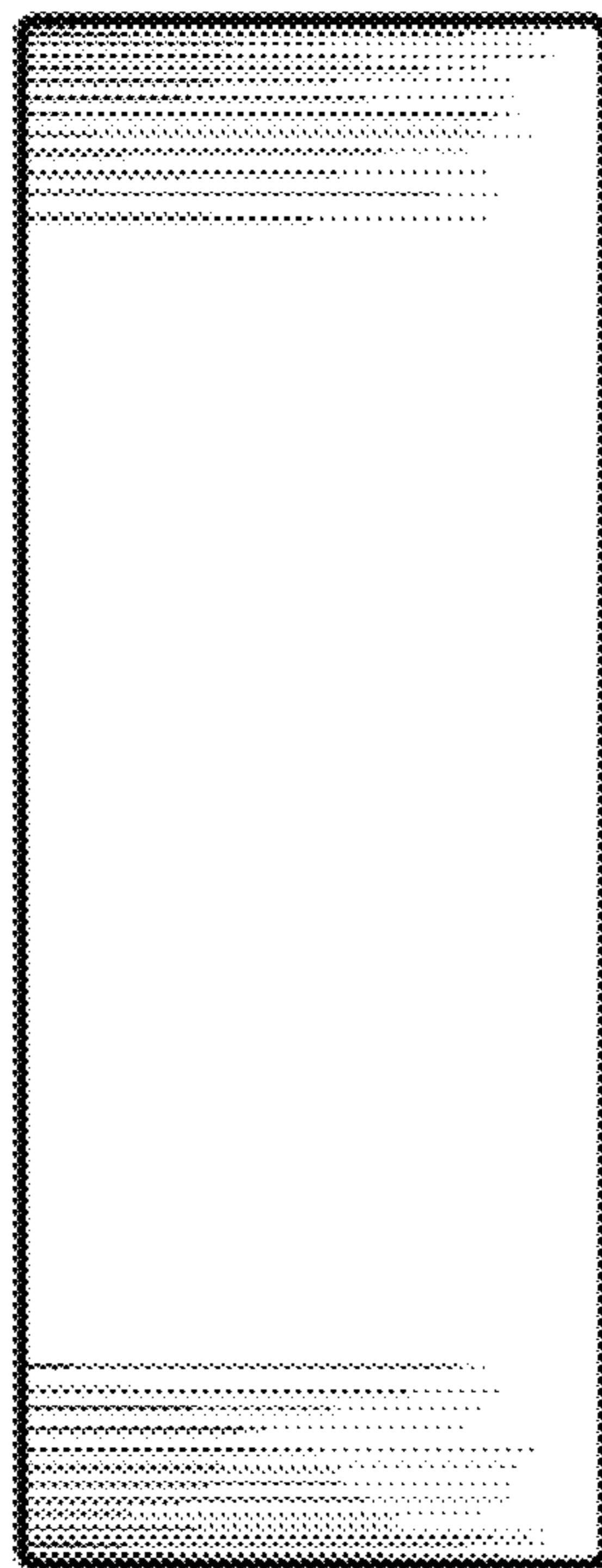


Fig. 7

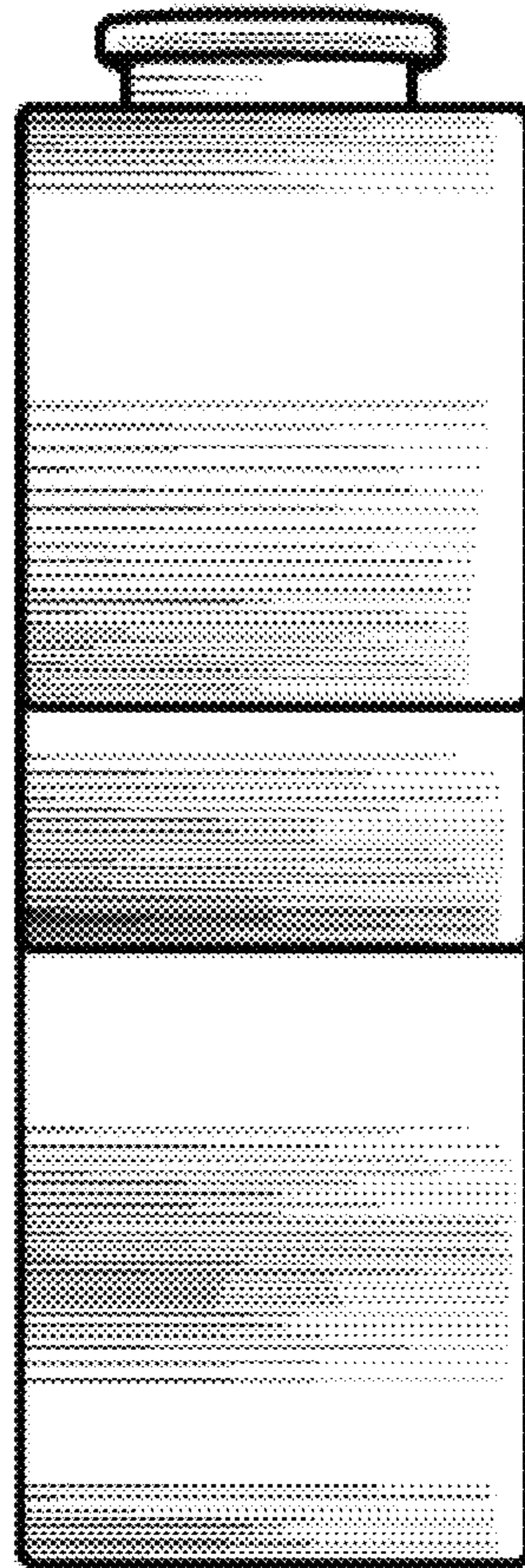


Fig. 8

