

US00D864728S

(12) **United States Design Patent**
Nieto

(10) **Patent No.:** **US D864,728 S**

(45) **Date of Patent:** **** Oct. 29, 2019**

(54) **SPOOL SHAPED LIDDED CONTAINER**

(71) Applicant: **Leslie Nieto**, Melbourne, FL (US)

(72) Inventor: **Leslie Nieto**, Melbourne, FL (US)

(**) Term: **15 Years**

(21) Appl. No.: **29/619,410**

(22) Filed: **Sep. 28, 2017**

(51) **LOC (12) Cl.** **09-01**

(52) **U.S. Cl.**
USPC **D9/600; D3/21**

(58) **Field of Classification Search**
USPC D3/270, 271.1–271.4, 20–21, 24, 27;
D7/509–511, 514–521, 529, 594, 599,
D7/604, 613, 619.2, 623, 628; D9/600,
D9/679; 206/457, 459.5, 527;
215/381–384, 400
CPC B65D 5/4258; B65D 81/60; B65D 81/365;
B65D 81/366; B65D 81/368; B65D
2203/00; B65D 2203/02; B65D 5/42;
B65D 77/00; A63H 33/16; D05B 91/12;
D05B 91/14

See application file for complete search history.

(56) **References Cited**

U.S. PATENT DOCUMENTS

| | | | | |
|---------------|---------|---------------|-------|-----------------------|
| D56,181 S * | 8/1920 | Lewis | | D9/500 |
| 1,510,545 A * | 10/1924 | Coffin | | D05B 91/12 223/108 |
| D98,360 S * | 1/1936 | Meyer | | D9/661 |
| D99,270 S * | 4/1936 | Dache-Despres | | D9/600 |
| D103,187 S * | 2/1937 | Reynolds | | D3/21 |
| 2,101,250 A * | 12/1937 | Goertz | | D05B 91/12 D3/24 |
| D149,414 S * | 4/1948 | Jahn et al. | | D05B 91/14 D3/21 |
| 2,547,669 A * | 4/1951 | Siren | | D05B 91/12 223/108 |
| D170,254 S * | 8/1953 | Bookler | | D9/679 |

| | | | | |
|---------------|---------|-----------|-------|---------------------|
| 2,648,472 A * | 8/1953 | Gallagher | | D05B 9/14 D3/24 |
| 2,654,513 A * | 10/1953 | Spencer | | D05B 91/14 D3/24 |
| D244,808 S * | 6/1977 | Ubermuth | | D3/24 |
| D341,079 S * | 11/1993 | Crowe | | D3/24 |
| D351,724 S * | 10/1994 | Roberts | | D05B 91/12 D3/21 |
| D522,814 S * | 6/2006 | McMichael | | D7/625 |

* cited by examiner

Primary Examiner — Sandra L Morris

(74) *Attorney, Agent, or Firm* — Kelly G. Swartz;
Wideman Malek, PL

(57) **CLAIM**

The ornamental design for a spool shaped lidded container, as shown and described.

DESCRIPTION

FIG. 1 is a perspective view of a spool shaped lidded container according to the present invention.

FIG. 2 is a front elevation view of the spool shaped lidded container of FIG. 1.

FIG. 3 is a rear elevation view of the spool shaped lidded container of FIG. 1.

FIG. 4 is a first side elevation view of the spool shaped lidded container of FIG. 1.

FIG. 5 is a second side elevation view of the spool shaped lidded container of FIG. 1.

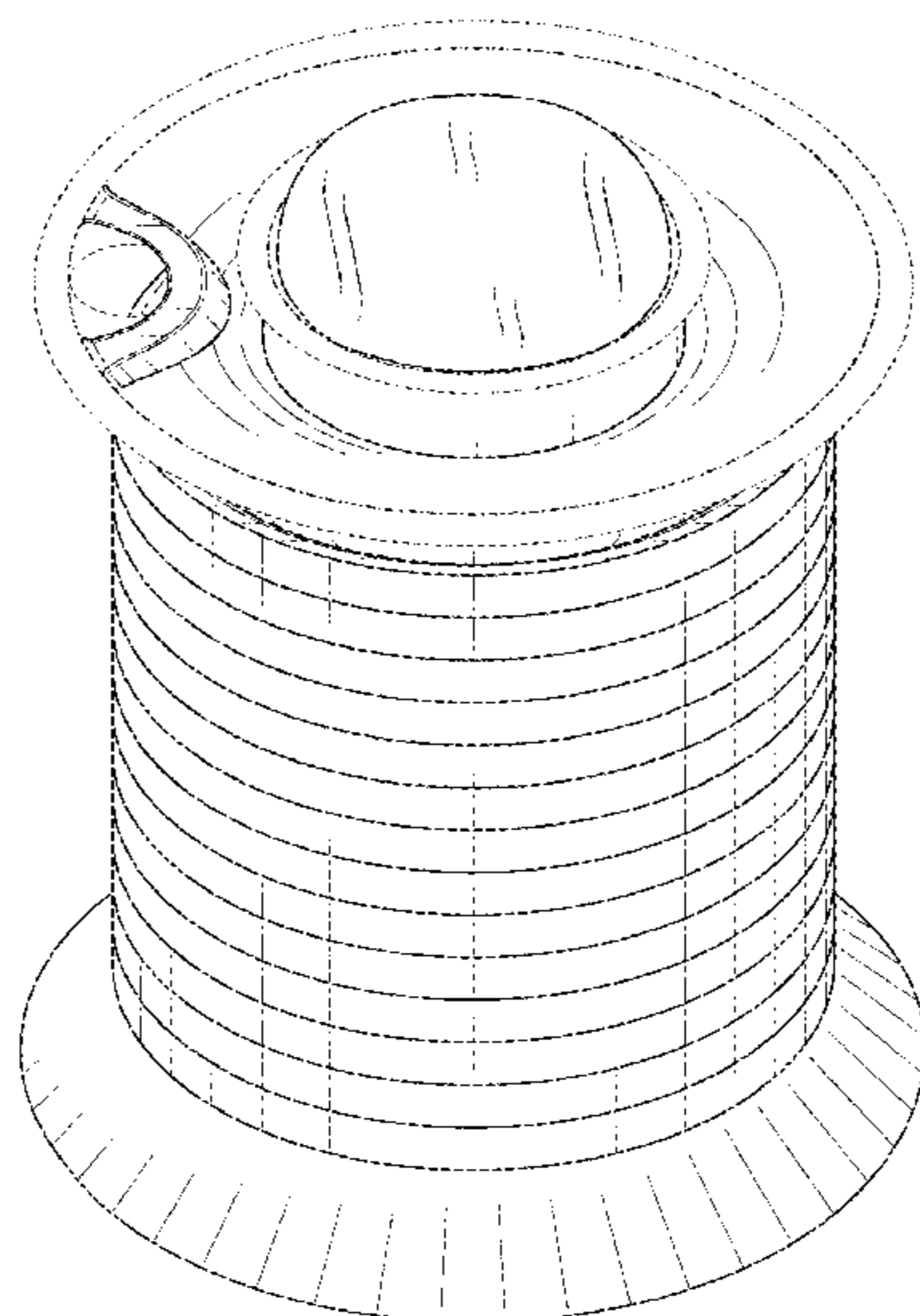
FIG. 6 is a top plan view of the spool shaped lidded container of FIG. 1.

FIG. 7 is a bottom plan view of the spool shaped lidded container of FIG. 1; and,

FIG. 8 is a perspective view of the spool shaped lidded container of FIG. 1 with a lid removed.

The broken lines shown in the drawings illustrate features of the spool shaped lidded container that form no part of the claimed design.

1 Claim, 8 Drawing Sheets



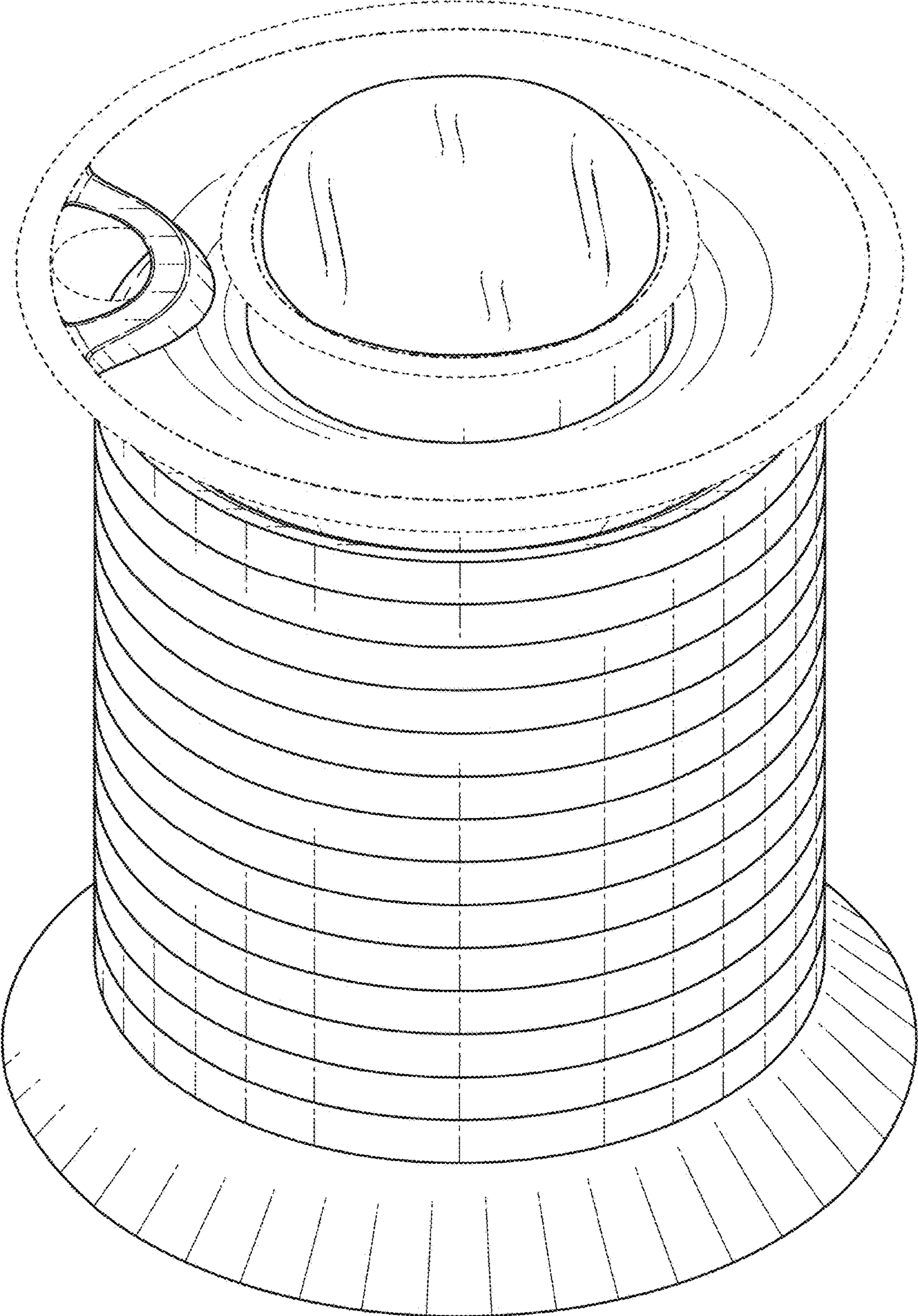


FIG. 1

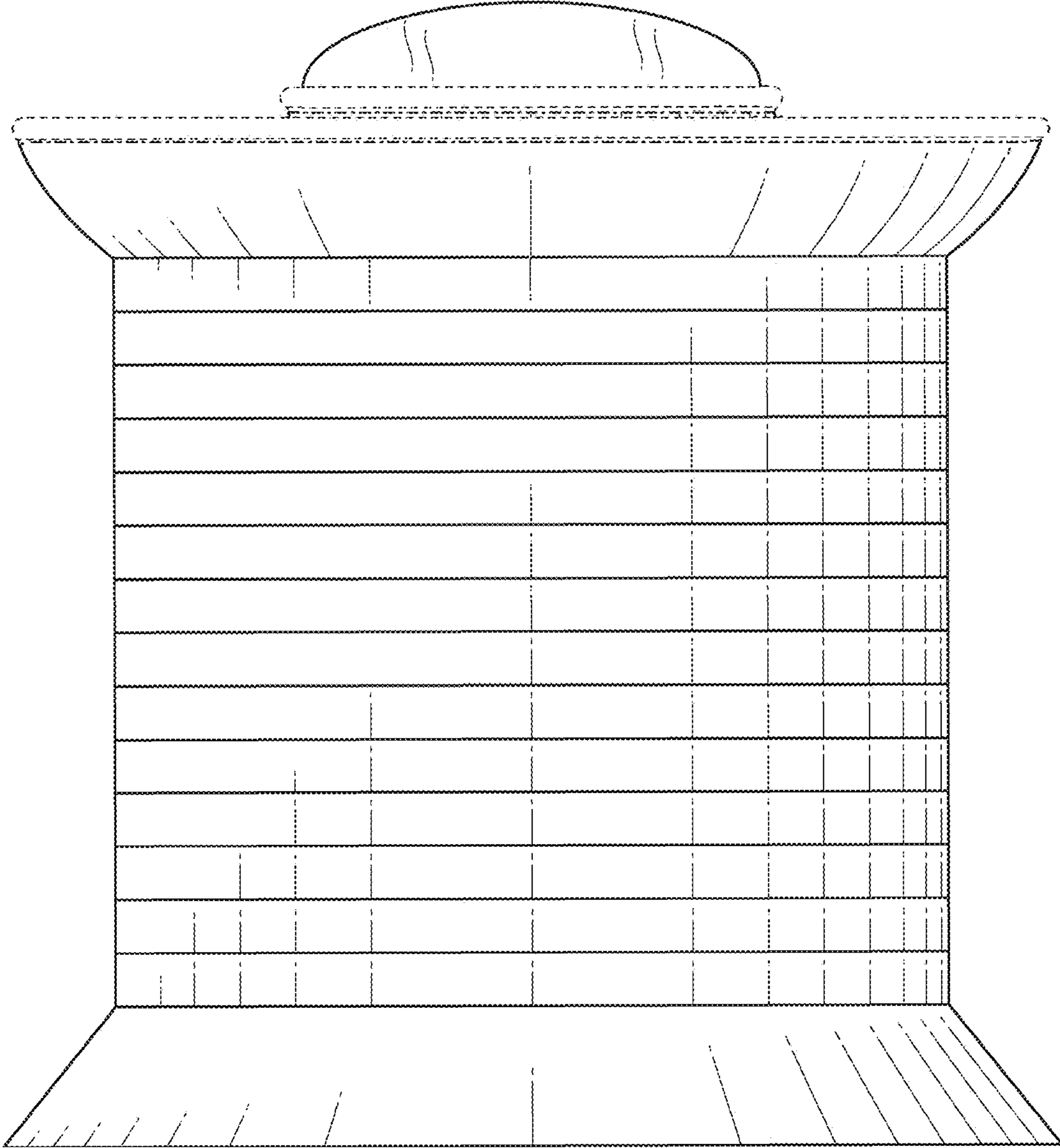


FIG. 2

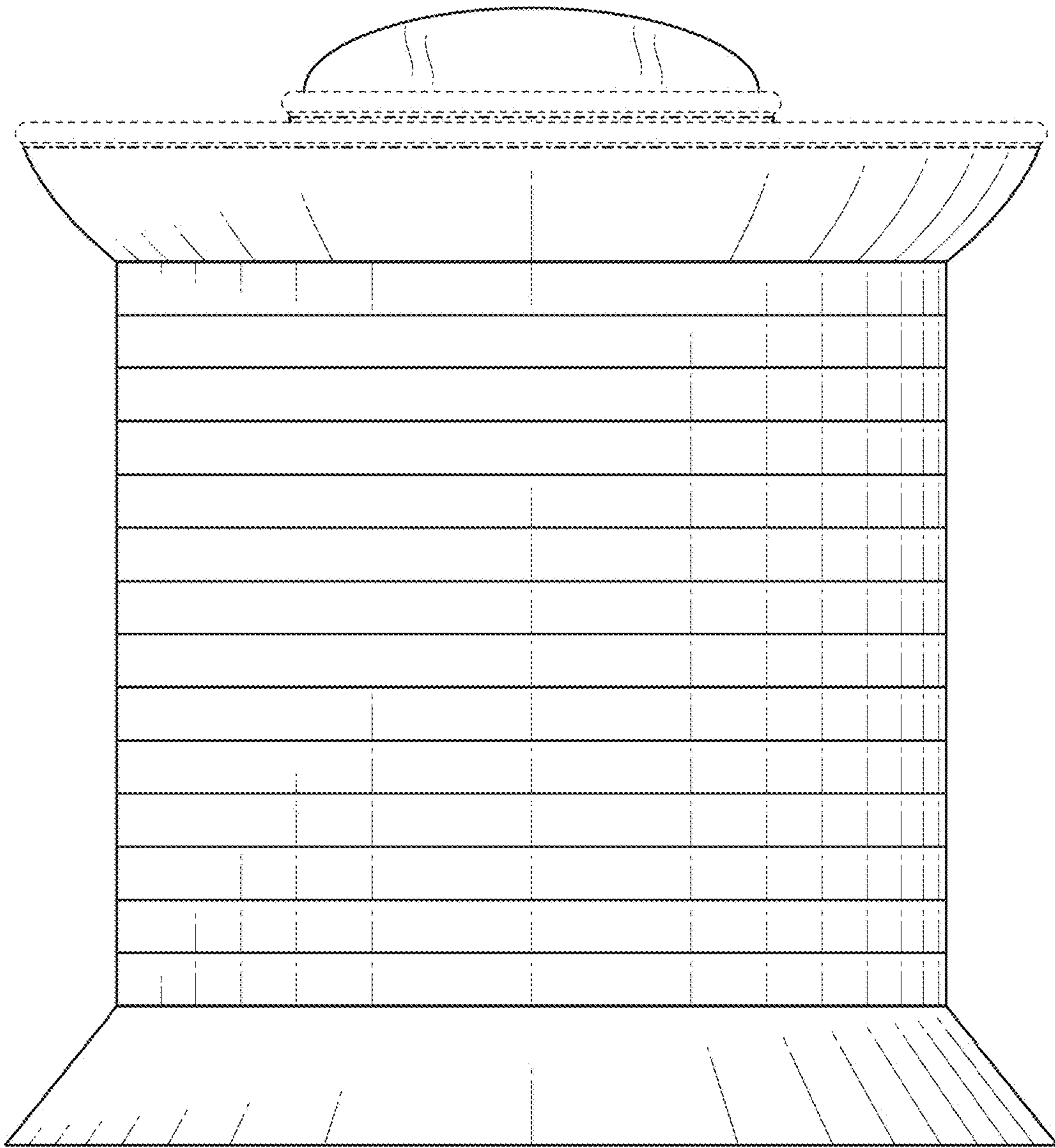


FIG. 3

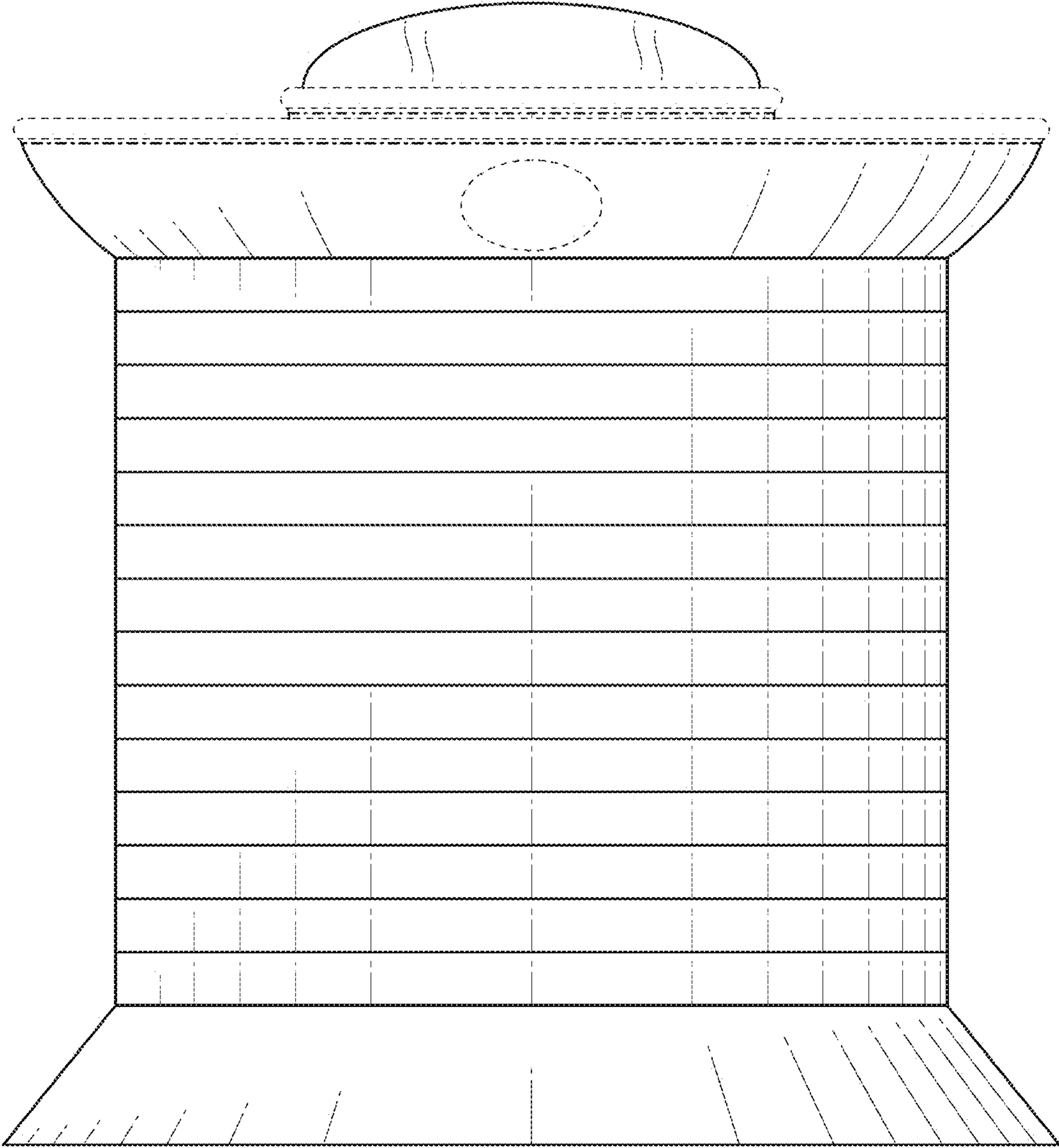


FIG. 4

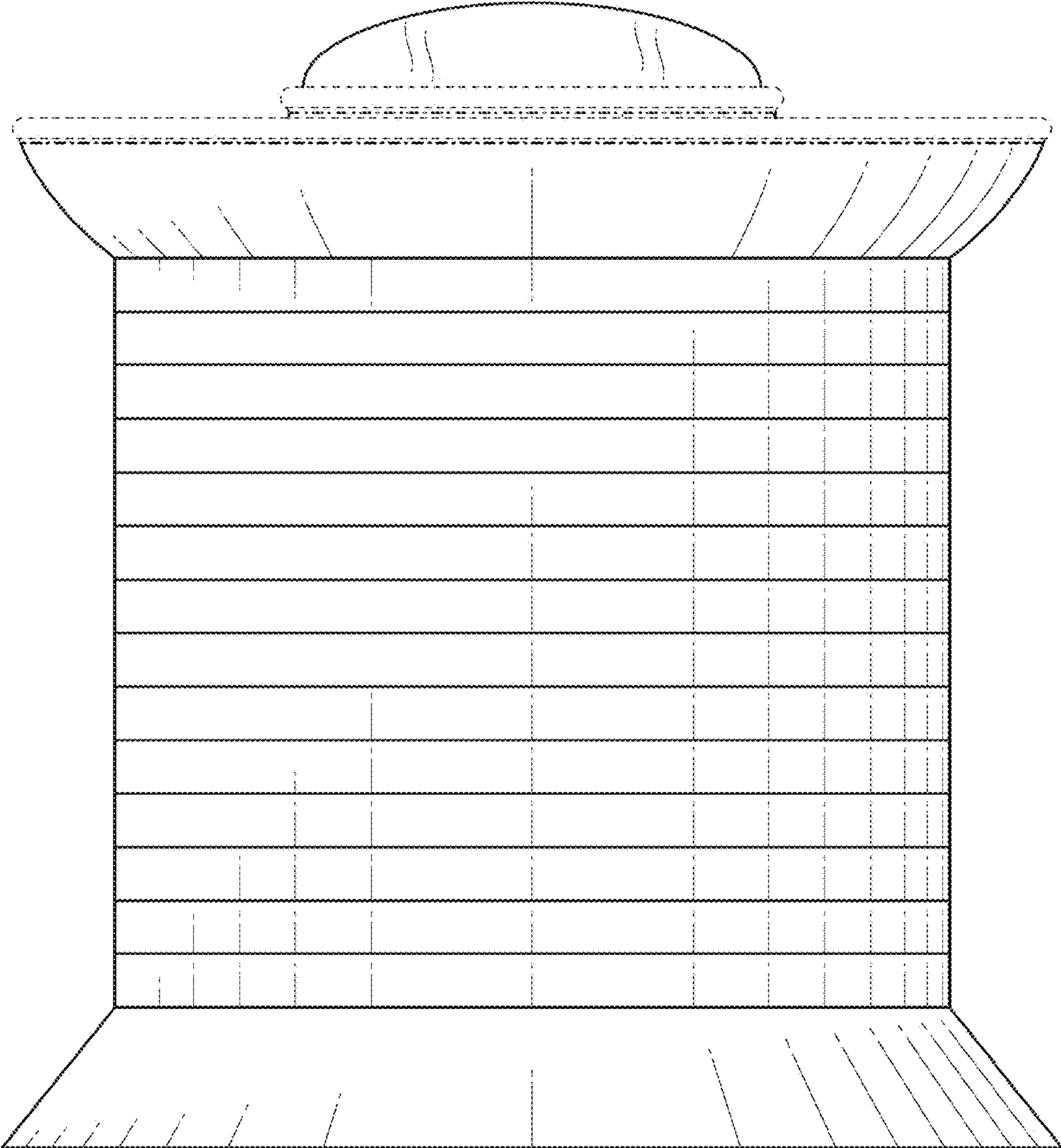


FIG. 5

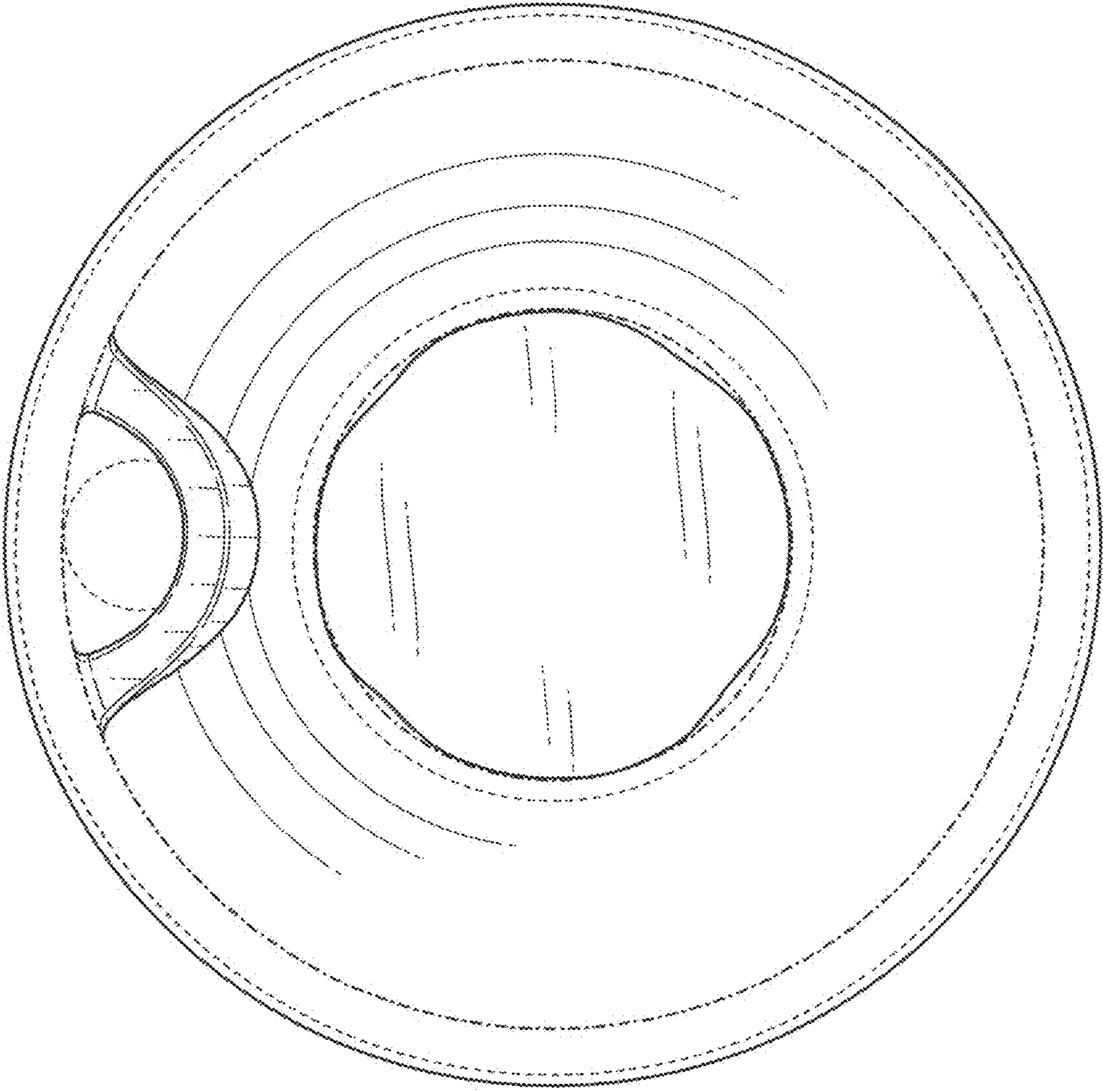


FIG. 6

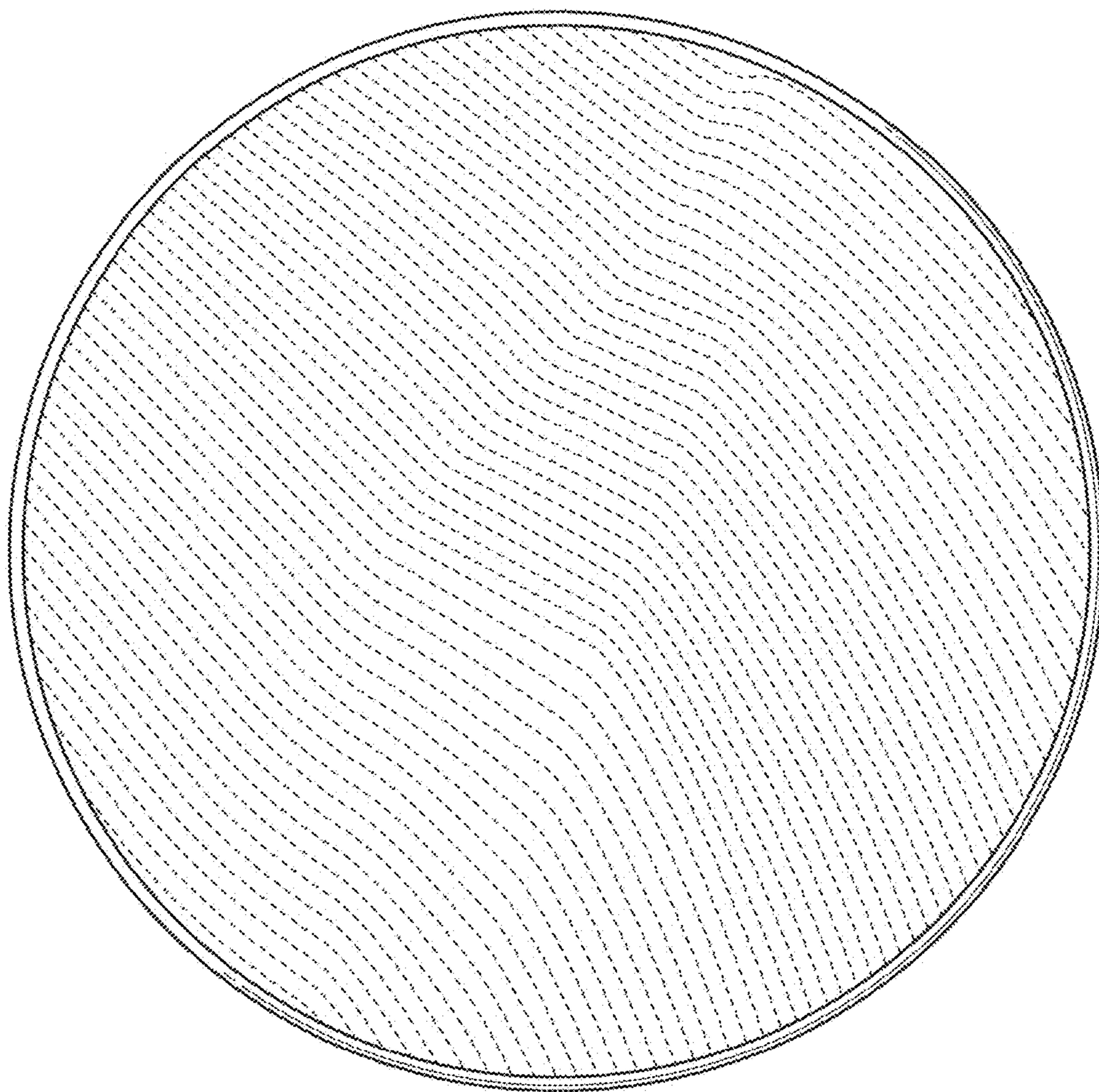


FIG. 7

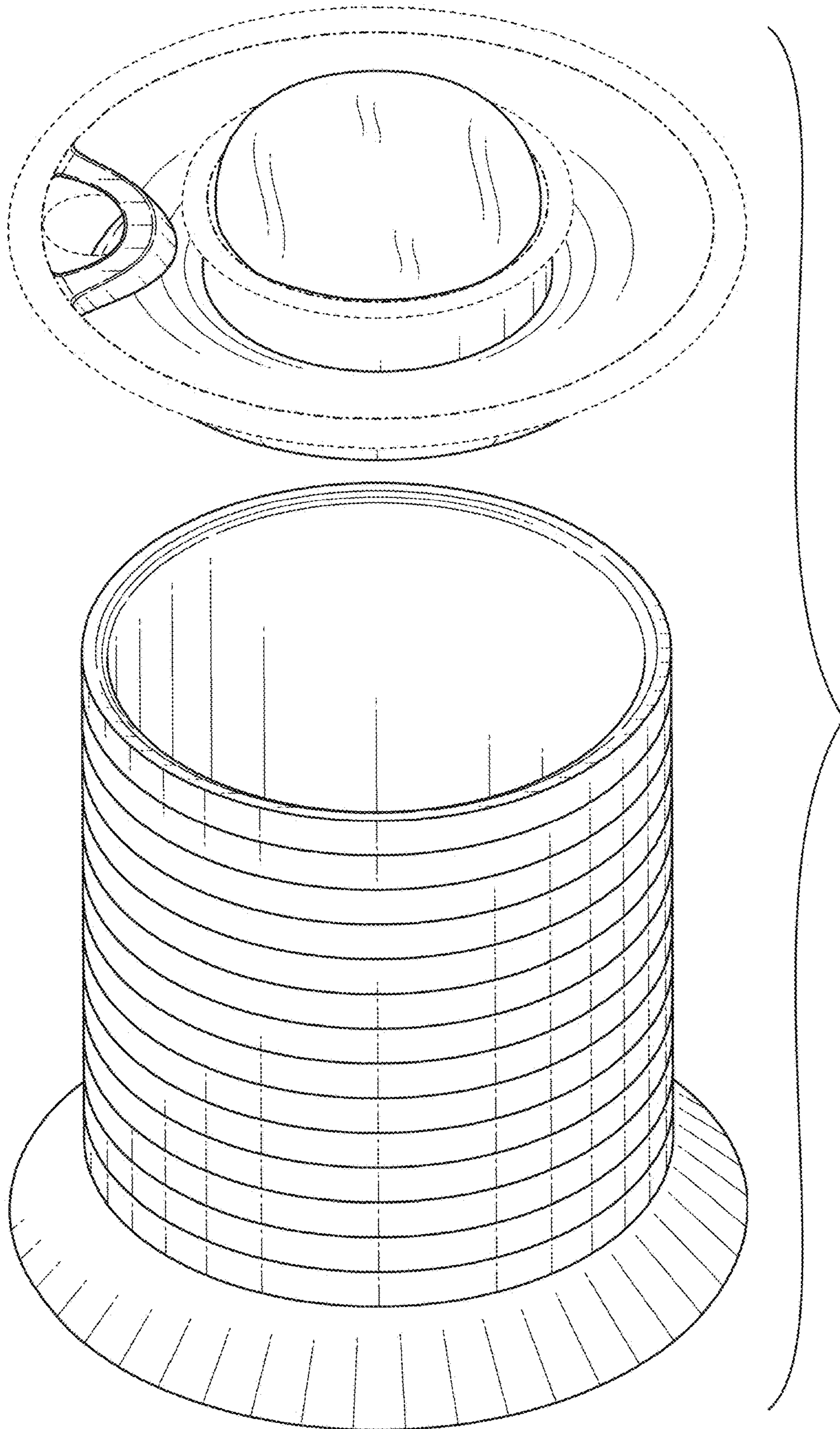


FIG. 8