



US00D864726S

(12) **United States Design Patent** (10) **Patent No.:** **US D864,726 S**
Eble (45) **Date of Patent:** **** Oct. 29, 2019**

(54) **CONTAINER**

FOREIGN PATENT DOCUMENTS

(71) Applicant: **Pretium Packaging, L.L.C.**,
Chesterfield, MO (US)
(72) Inventor: **Raymond C. Eble**, Sugarloaf, PA (US)
(73) Assignee: **Pretium Packaging, L.L.C.**,
Chesterfield, MO (US)

CA 2552105 A1 1/2007
CA 136194 S 7/2011
CA 2774334 A1 10/2012

Primary Examiner — Ian Simmons
Assistant Examiner — Keith Frank
(74) *Attorney, Agent, or Firm* — Armstrong Teasdale LLP

(**) Term: **15 Years**

(57) **CLAIM**

(21) Appl. No.: **29/619,178**

I claim the ornamental design for a container, as shown and described.

(22) Filed: **Sep. 27, 2017**

(51) **LOC (12) Cl.** **09-01**

(52) **U.S. Cl.**
USPC **D9/563**; D9/560; D9/575

DESCRIPTION

(58) **Field of Classification Search**
USPC D9/516, 544, 546, 547, 559, 560, 563,
D9/572, 573, 574, 715, 719; D3/203.1
CPC B65D 2501/0081; B65D 1/0223; B65D
51/18

FIG. 1 is a perspective view of a first embodiment of a container showing the new design; FIG. 2 is a left side view thereof; FIG. 3 is a right side view thereof; FIG. 4 is a front view thereof; FIG. 5 is a rear view thereof; FIG. 6 is a top view thereof; FIG. 7 is a bottom view thereof; FIG. 8 is a cross-sectional view thereof taken along line 8-8 of FIG. 2; FIG. 9 is a perspective view of a second embodiment of a container showing the new design; FIG. 10 is a left side view thereof; FIG. 11 is a right side view thereof; FIG. 12 is a front view thereof; FIG. 13 is a rear view thereof; FIG. 14 is a top view thereof; FIG. 15 is a bottom view thereof; and, FIG. 16 is a cross-sectional view taken along line 16-16 of FIG. 10.

See application file for complete search history.

(56) **References Cited**

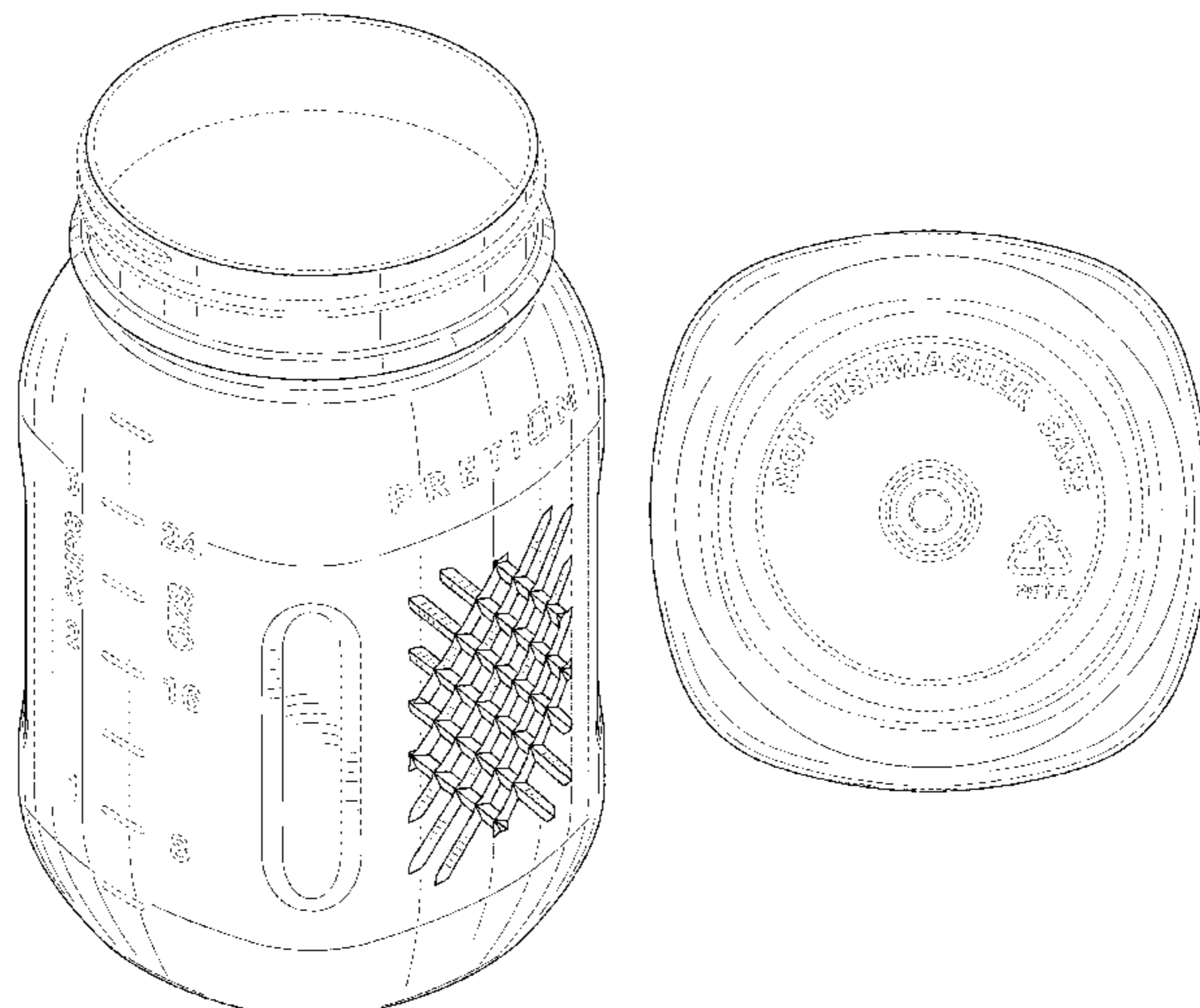
U.S. PATENT DOCUMENTS

D102,268 S * 12/1936 Flannery D9/502
D264,435 S * 5/1982 Pettengill D7/615
D282,050 S * 1/1986 Beaver D9/547
D356,264 S * 3/1995 Praturlon D9/773
D487,564 S * 3/2004 Beck D9/520
D531,904 S 11/2006 Sillett et al.
D539,661 S 4/2007 Eble
D606,870 S * 12/2009 Kaminski D9/552
D607,743 S 1/2010 Eble
D608,211 S 1/2010 Eble
D612,266 S * 3/2010 Kaminski D9/553
D619,012 S 7/2010 Eble
D639,172 S 6/2011 Dupuis et al.
D639,173 S 6/2011 Dupuis et al.
D663,624 S 7/2012 Eble
D680,005 S 4/2013 Eble

The broken lines in the drawings showing the container illustrate the portions of the container that form no part of the claimed design.

(Continued)

1 Claim, 16 Drawing Sheets



(56)

References Cited

U.S. PATENT DOCUMENTS

D682,114 S *	5/2013	Kraus	D9/554
D697,408 S	1/2014	Eble	
D701,769 S	4/2014	Eble	
D717,662 S	11/2014	Eble	
D721,278 S	1/2015	Eble	
D722,883 S	2/2015	Eble	
D722,884 S	2/2015	Eble	
D734,161 S *	7/2015	Bolleaux	D9/545
D735,581 S	8/2015	Eble	
D739,757 S *	9/2015	Newton	D9/520
9,193,495 B2	11/2015	Eble	
D760,591 S *	7/2016	Groglopo Favetto	D9/500
D791,606 S *	7/2017	Cobb	D9/566
D805,393 S *	12/2017	Eble	D9/552

* cited by examiner

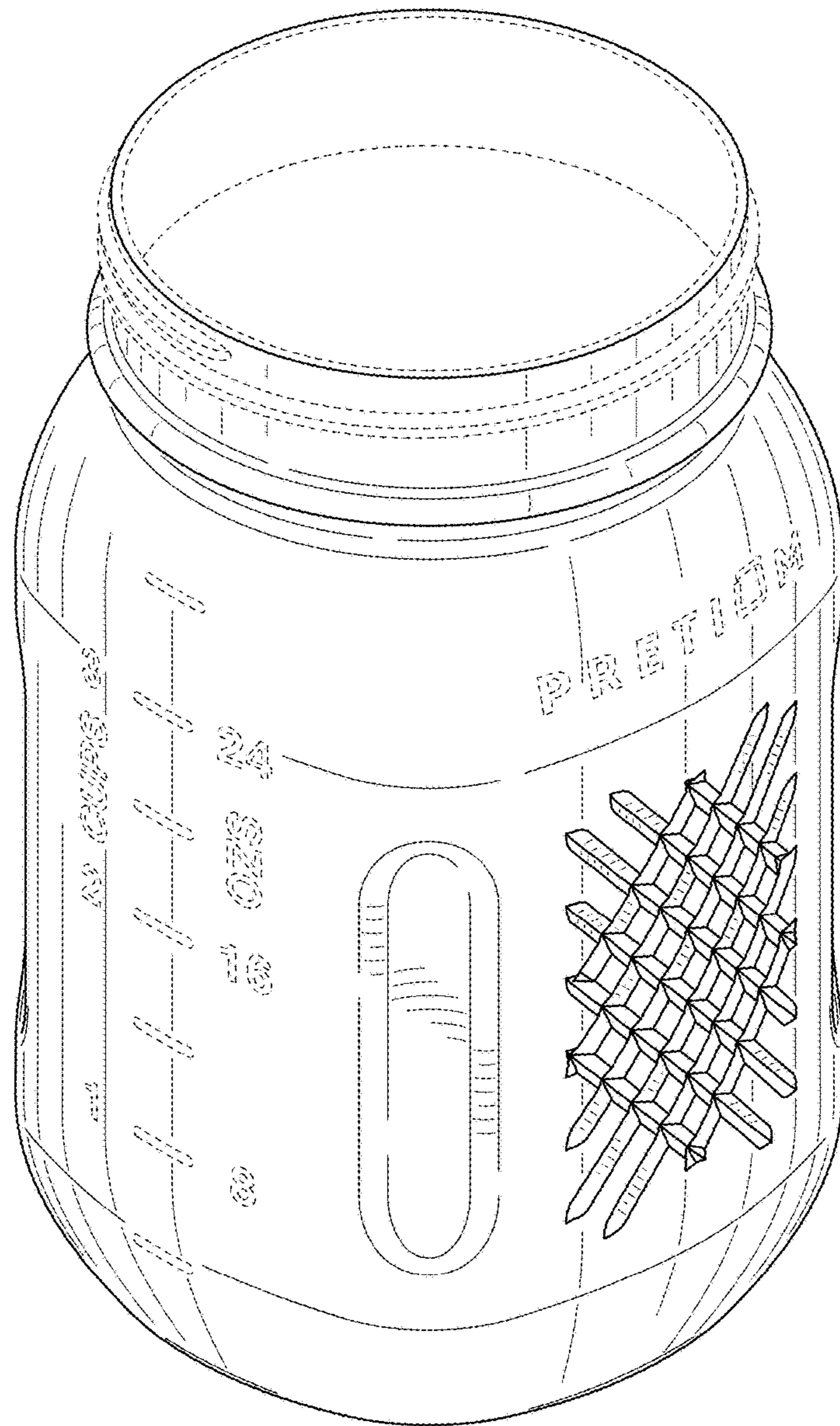


FIG. 1

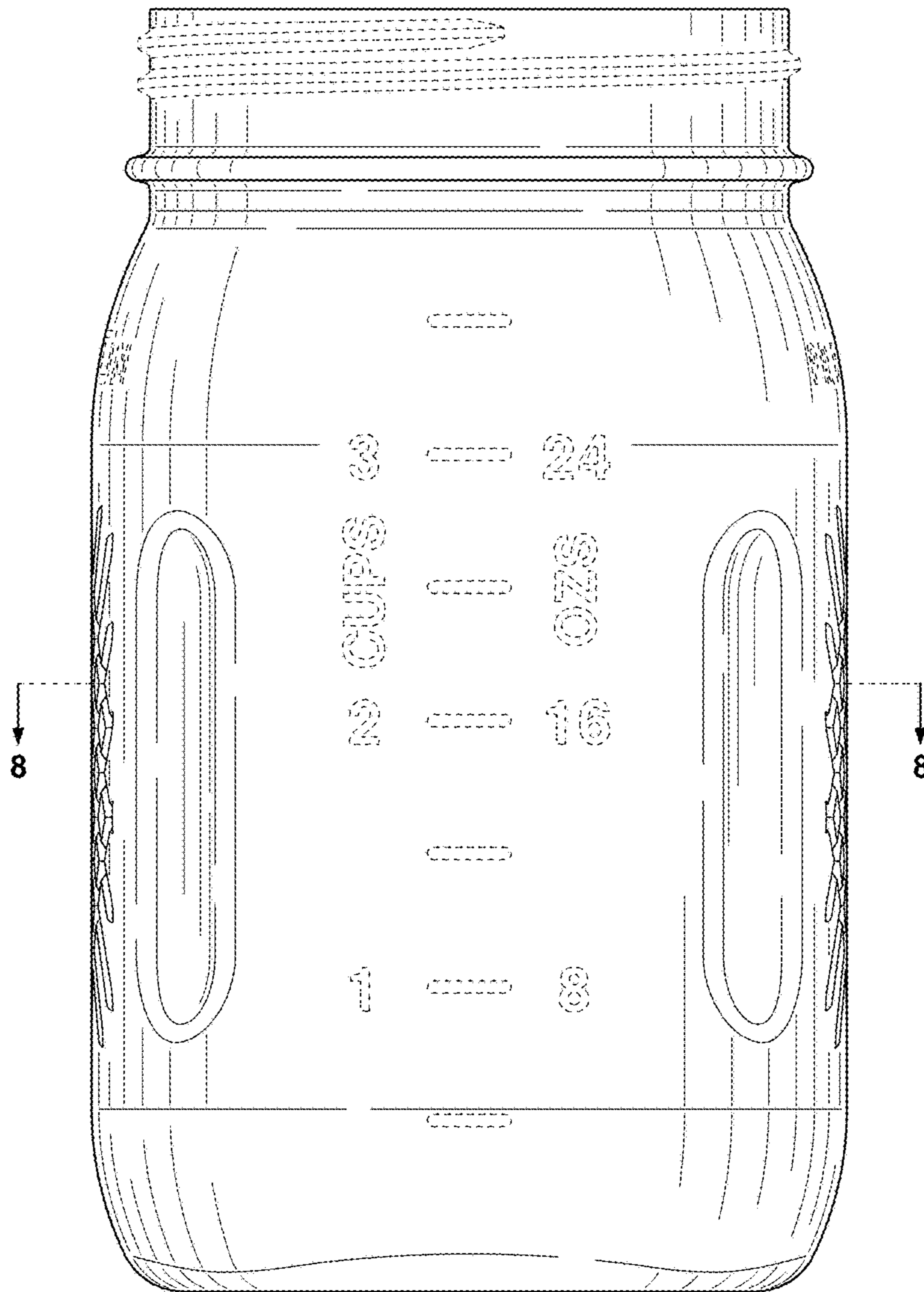


FIG. 2

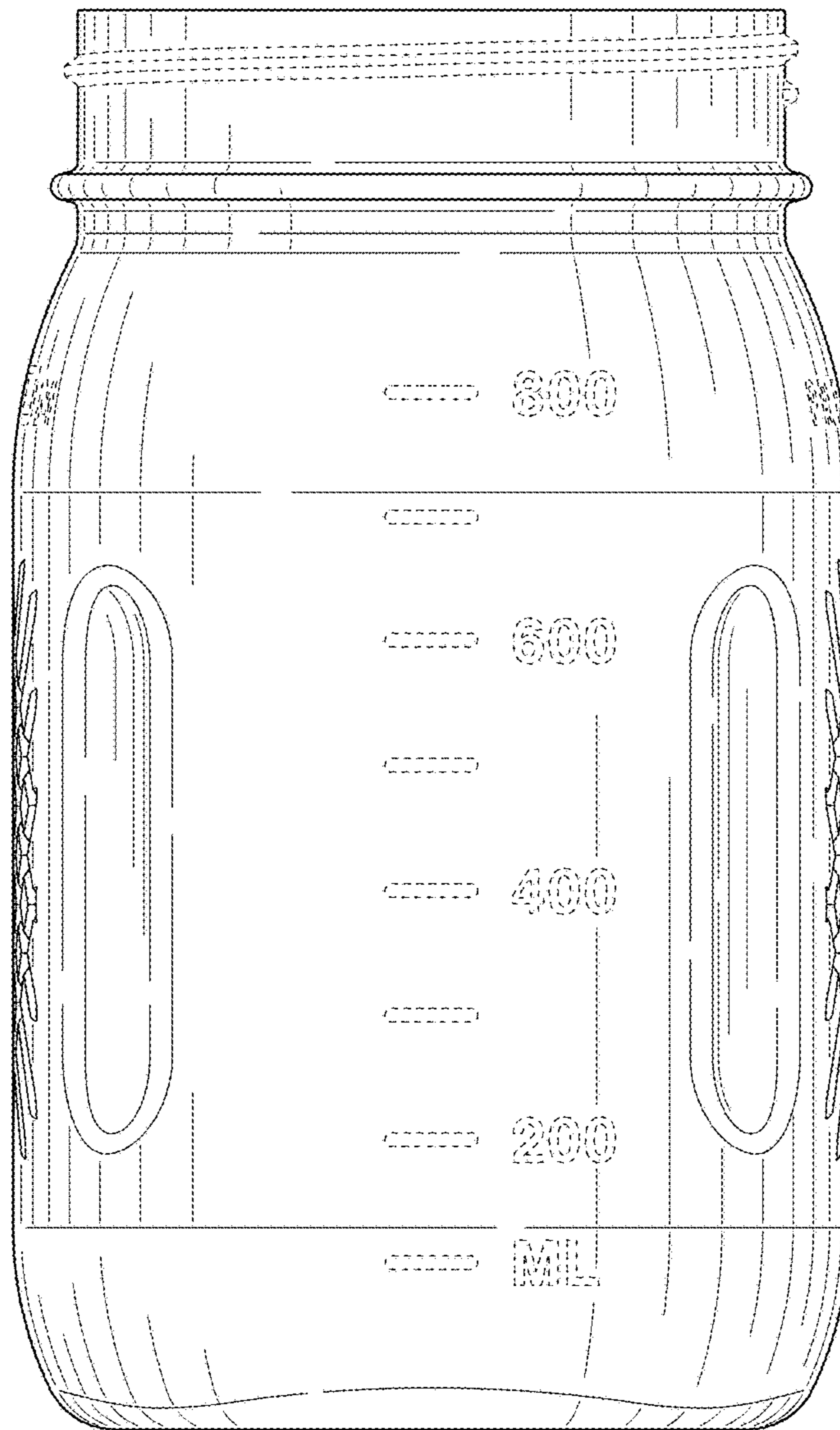


FIG. 3

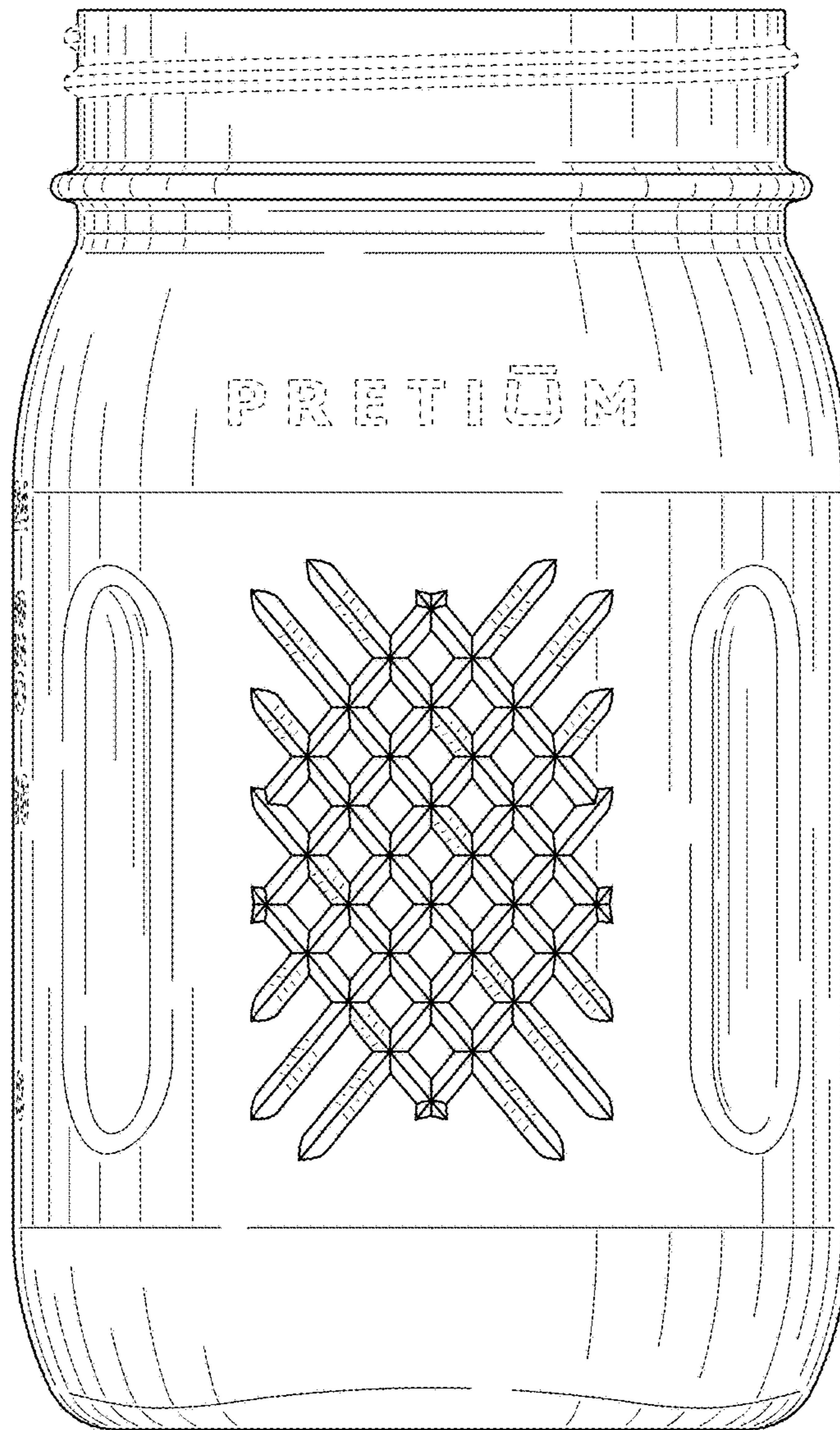


FIG. 4

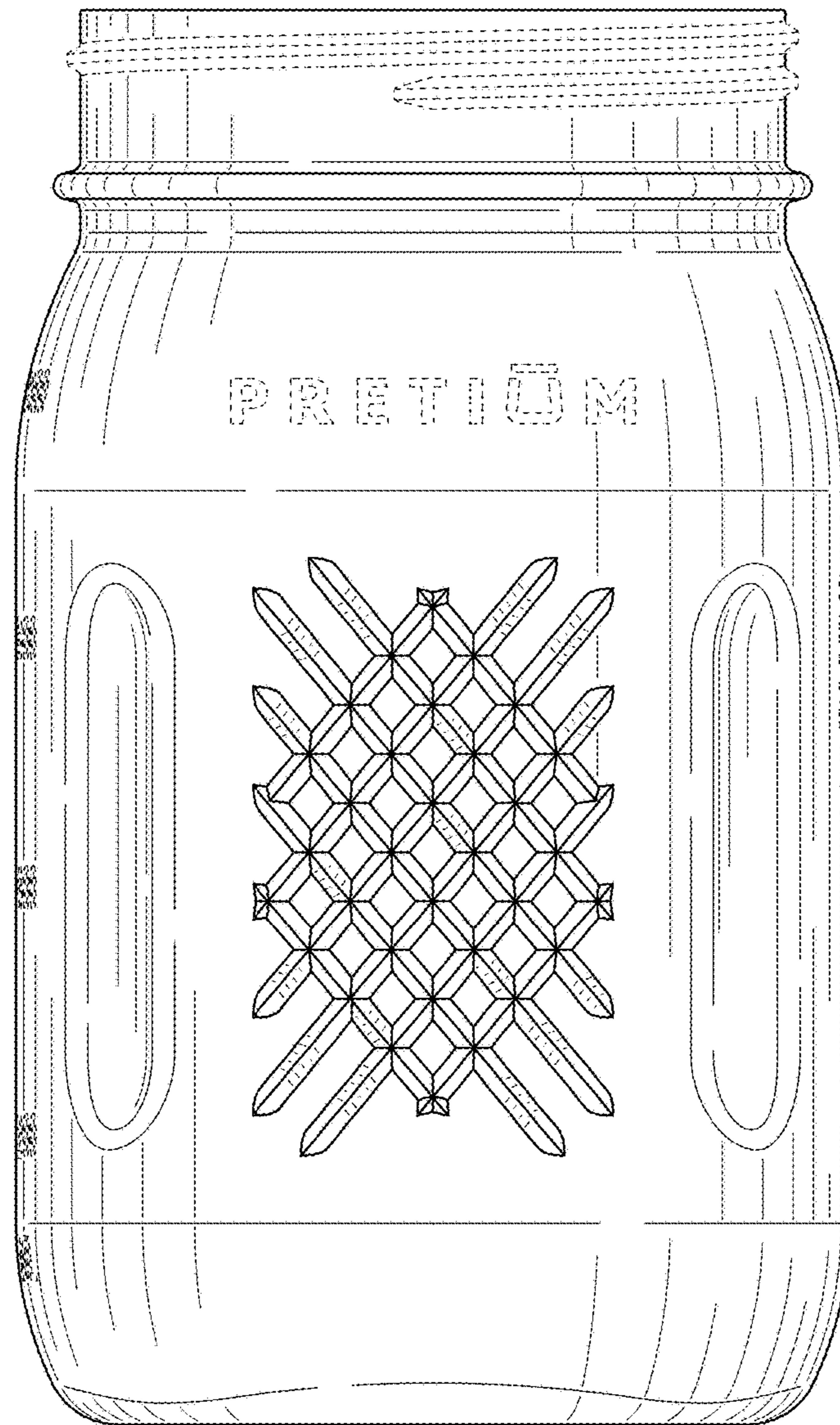


FIG. 5

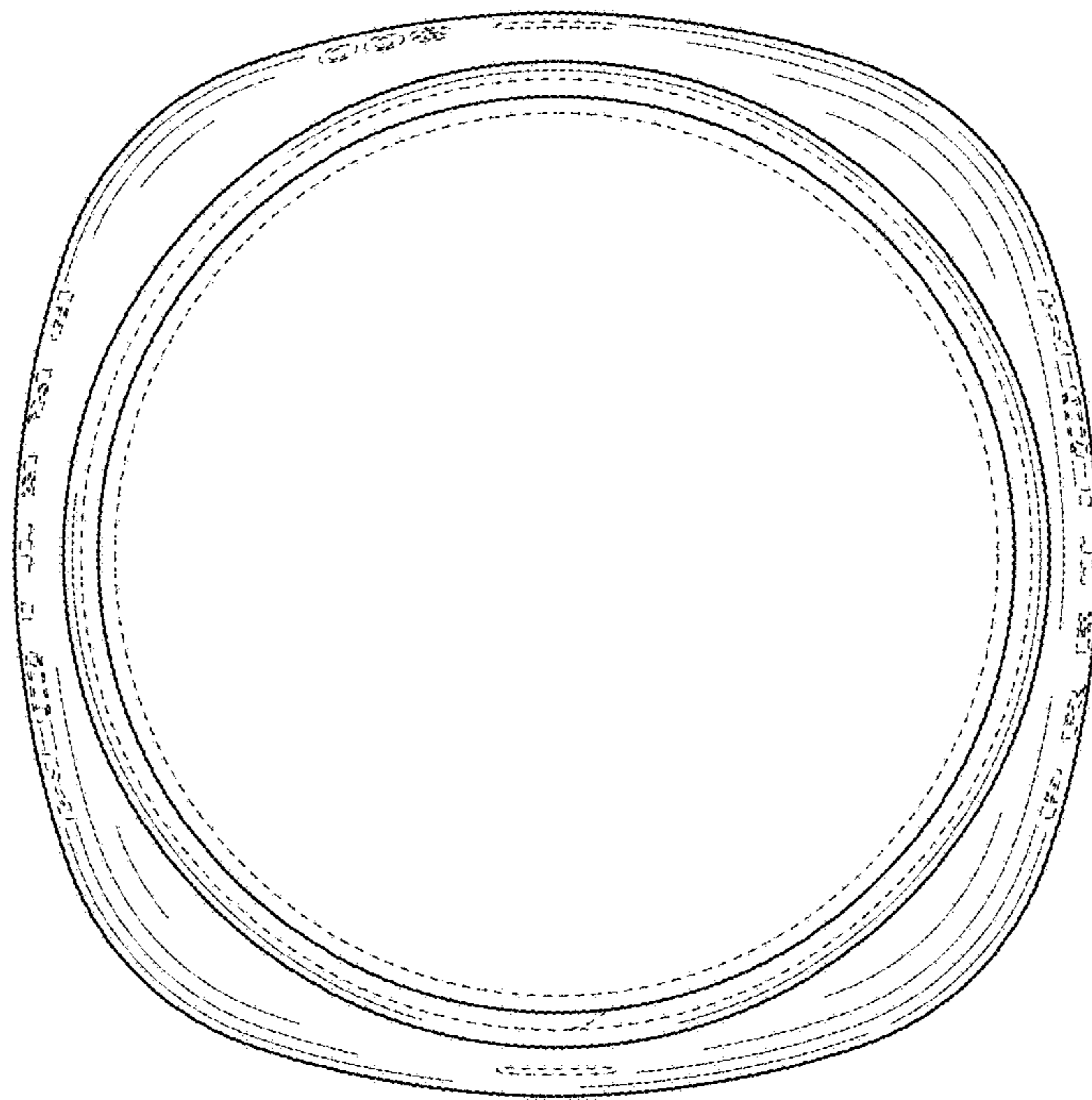


FIG. 6

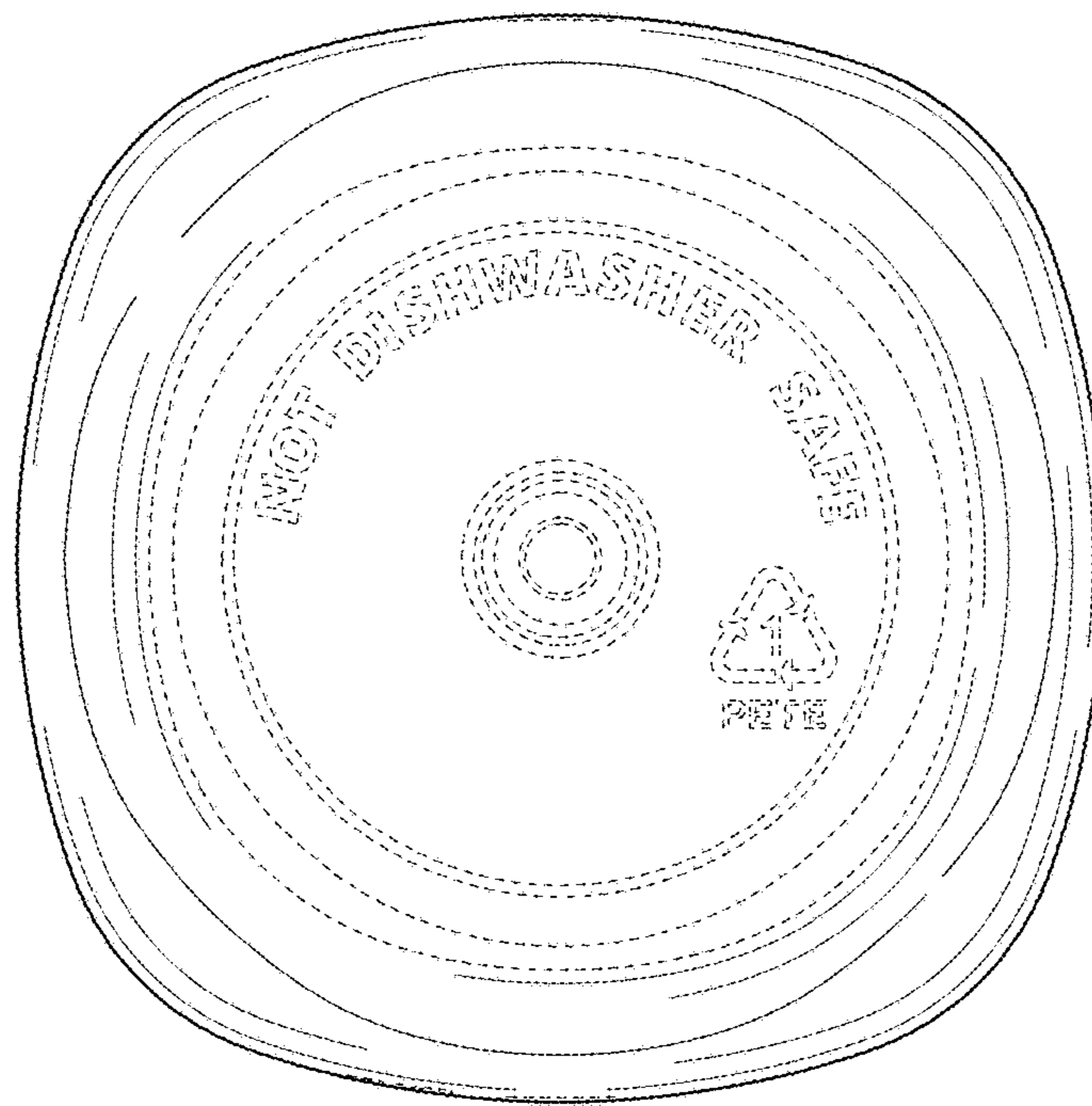


FIG. 7

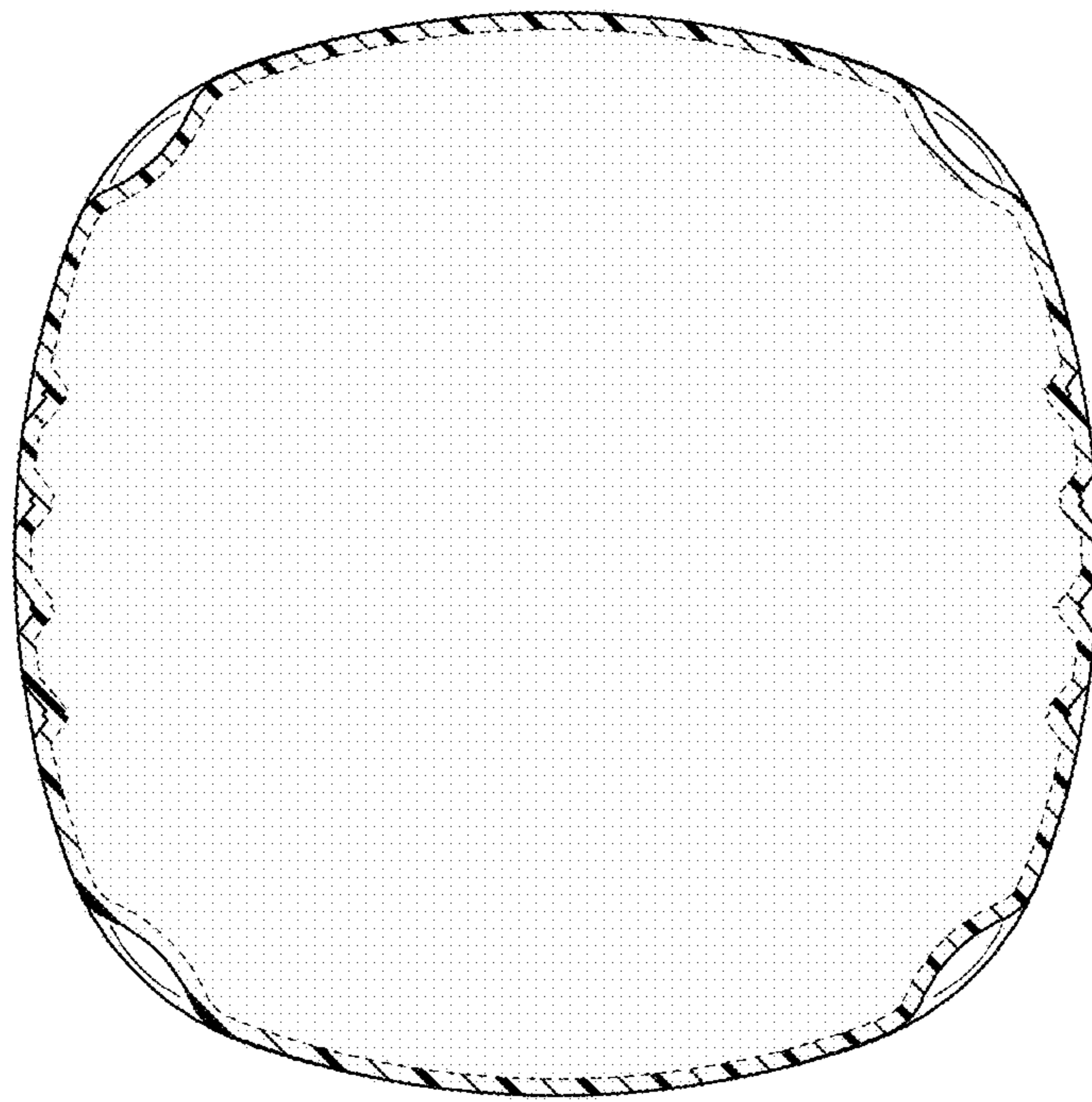


FIG. 8

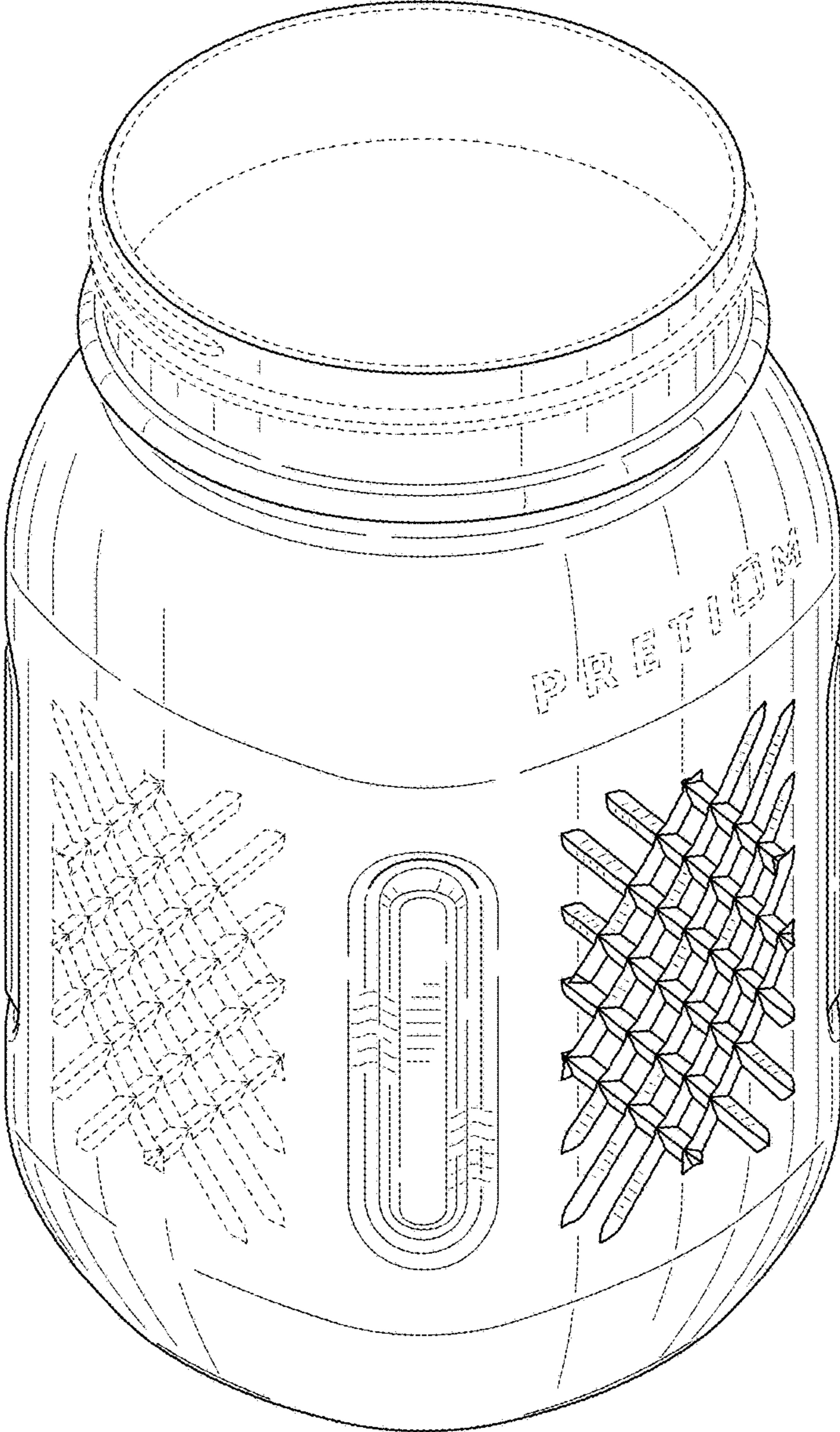


FIG. 9

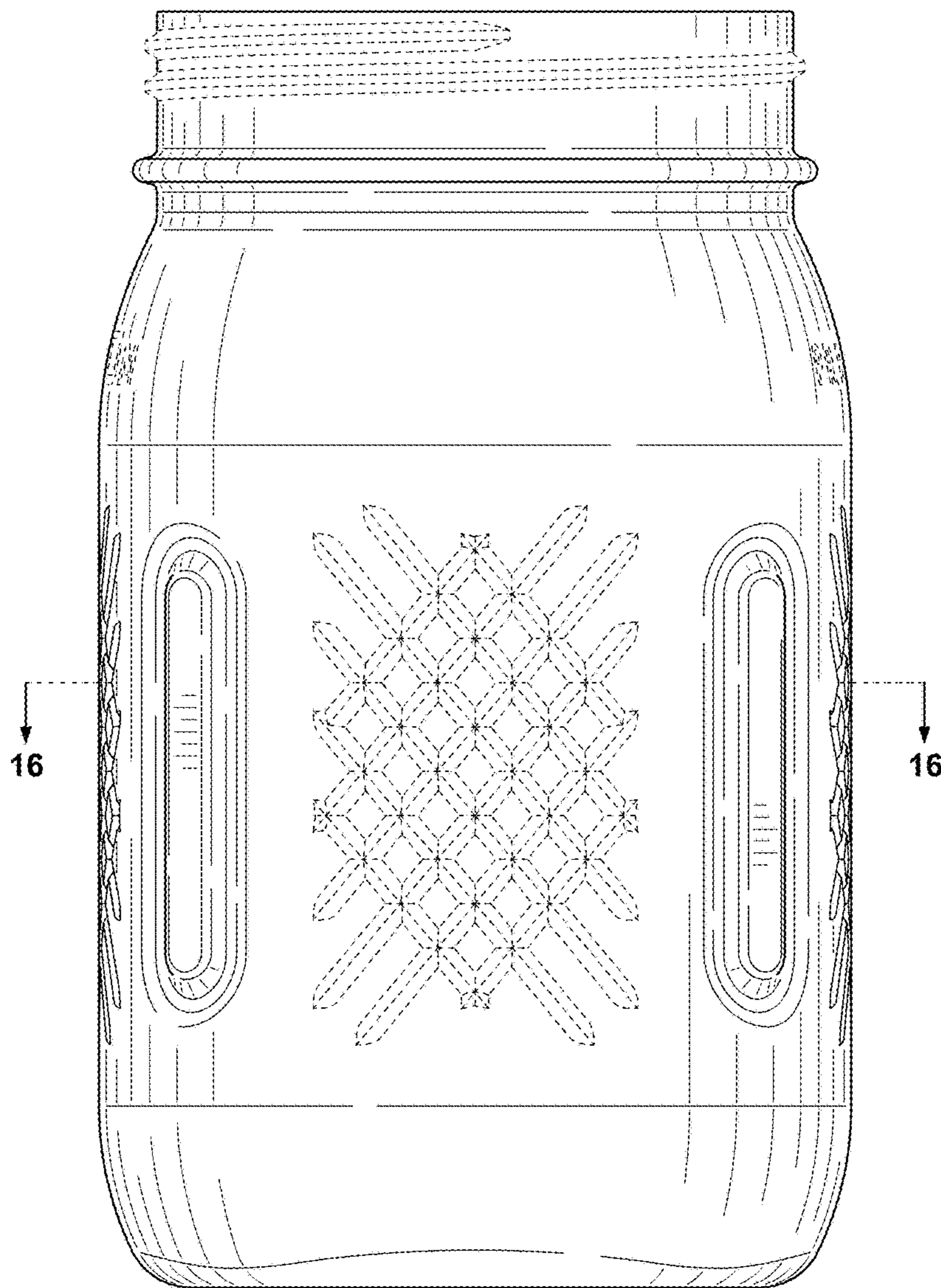


FIG. 10

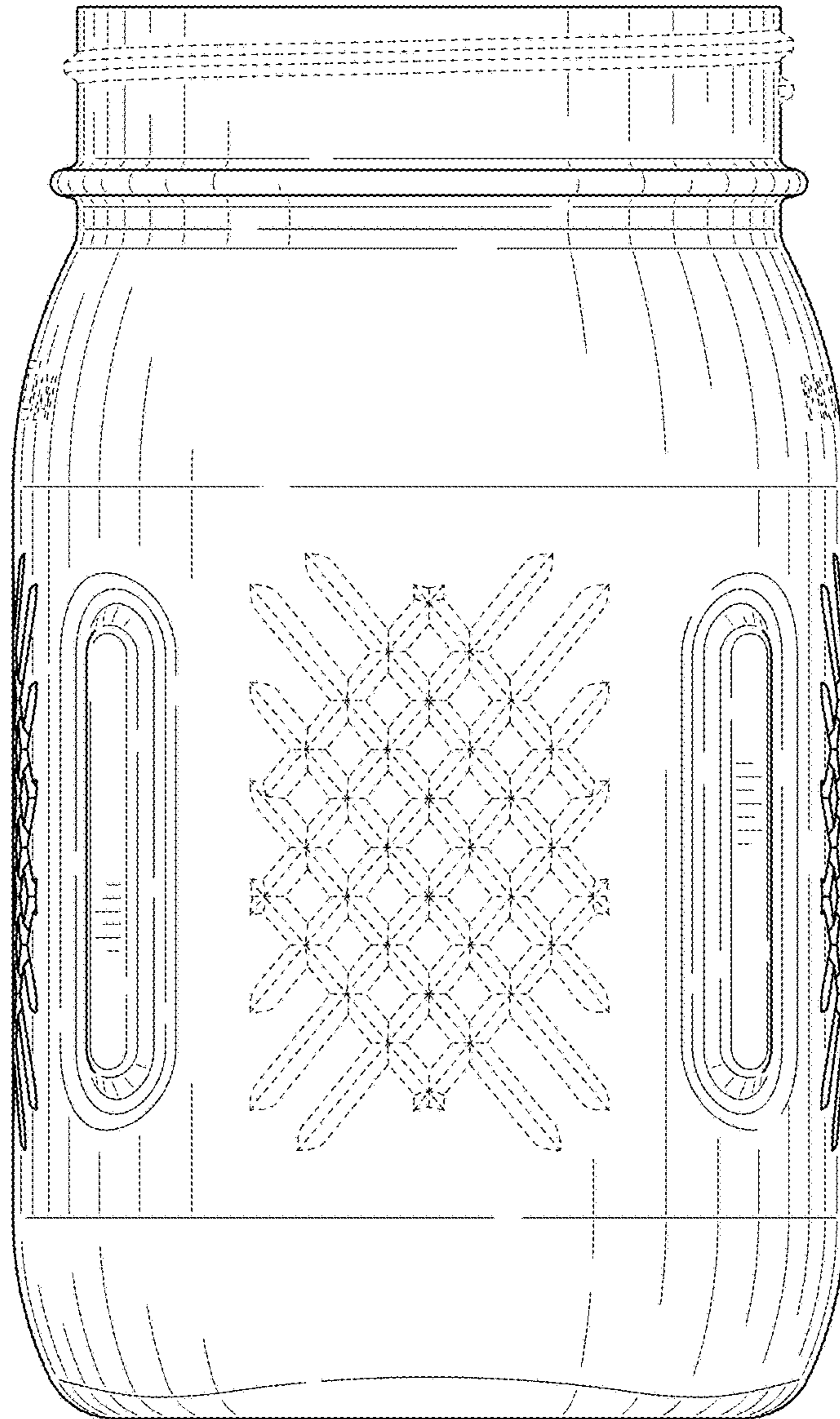


FIG. 11

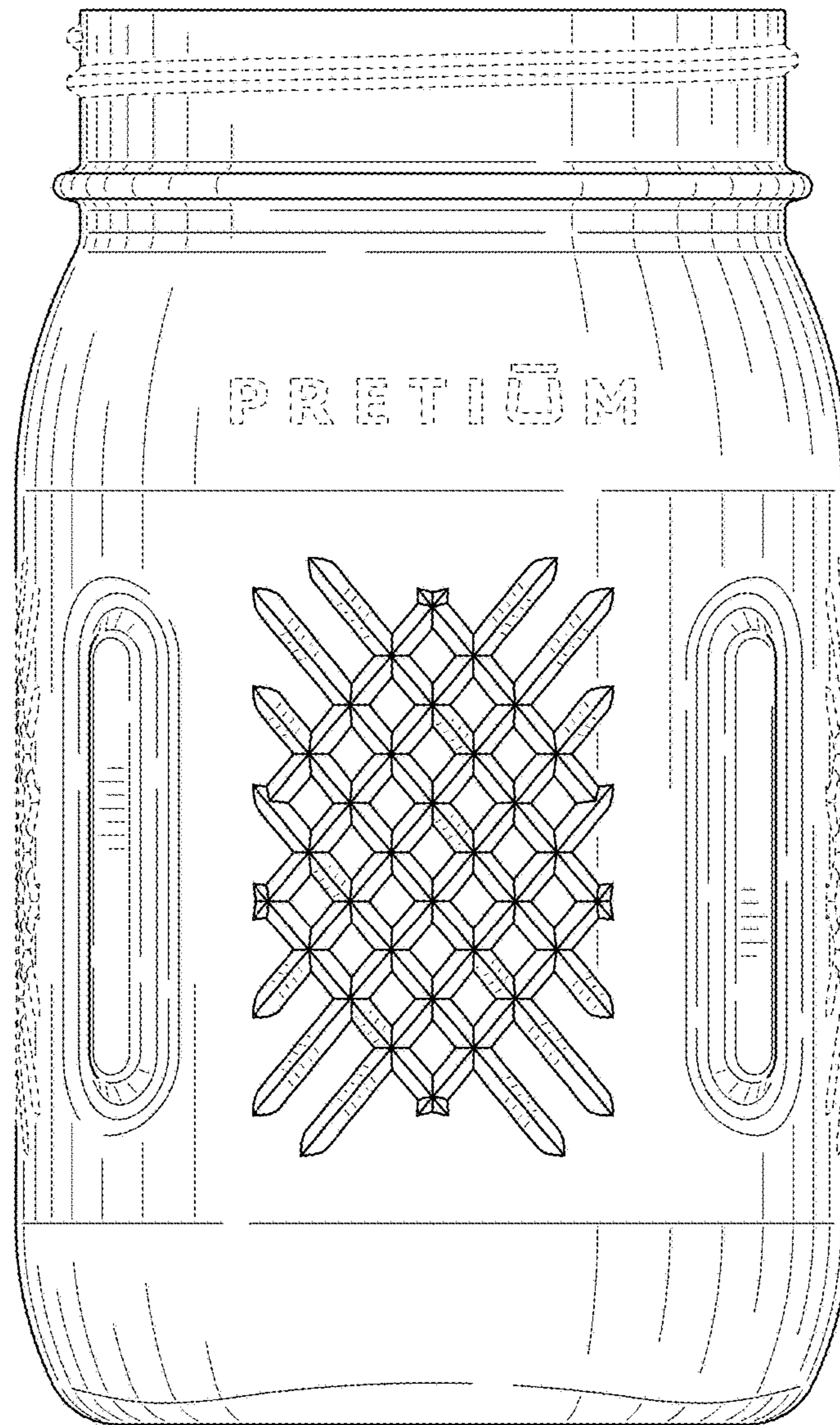


FIG. 12

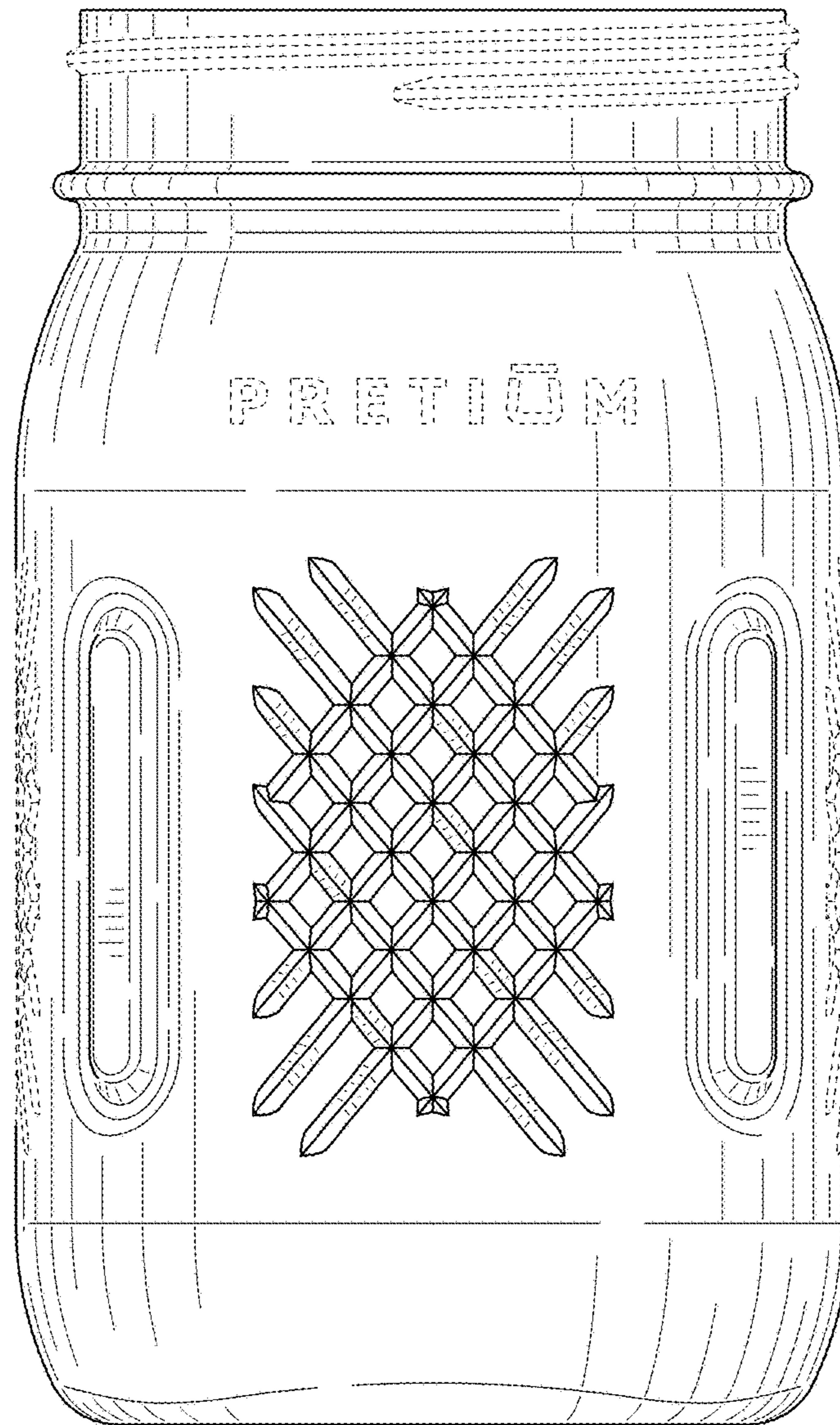


FIG. 13

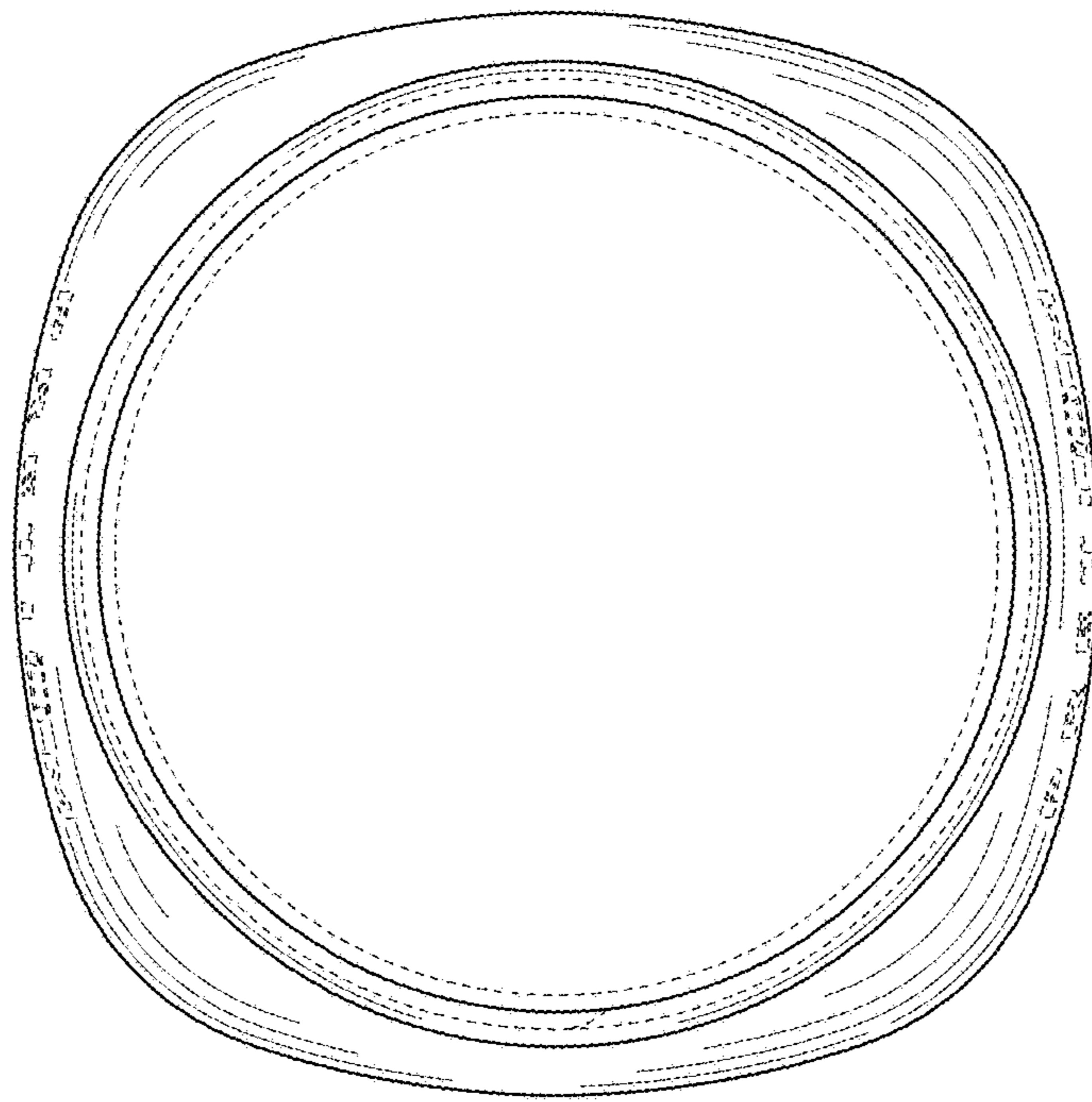


FIG. 14

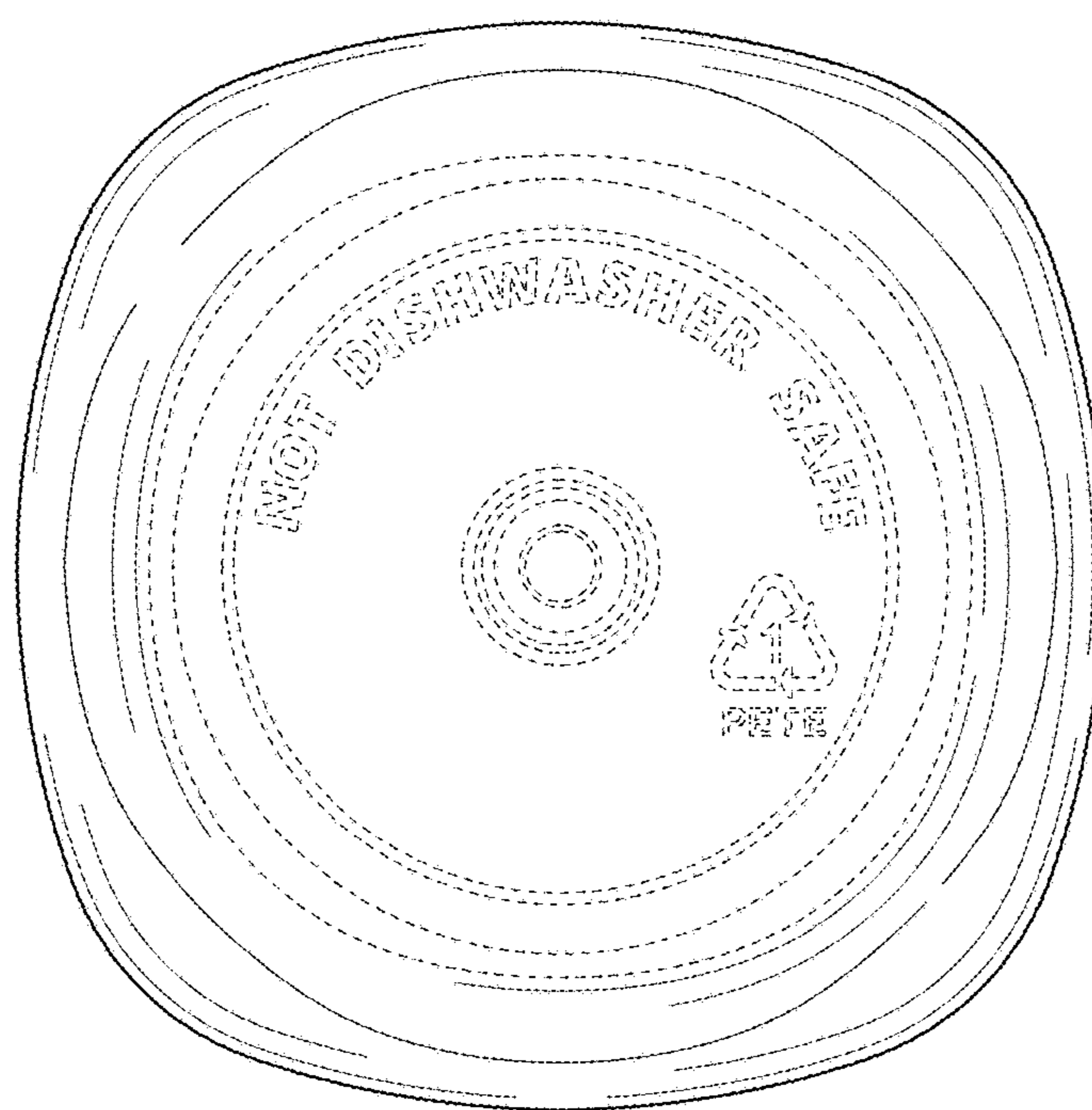


FIG. 15

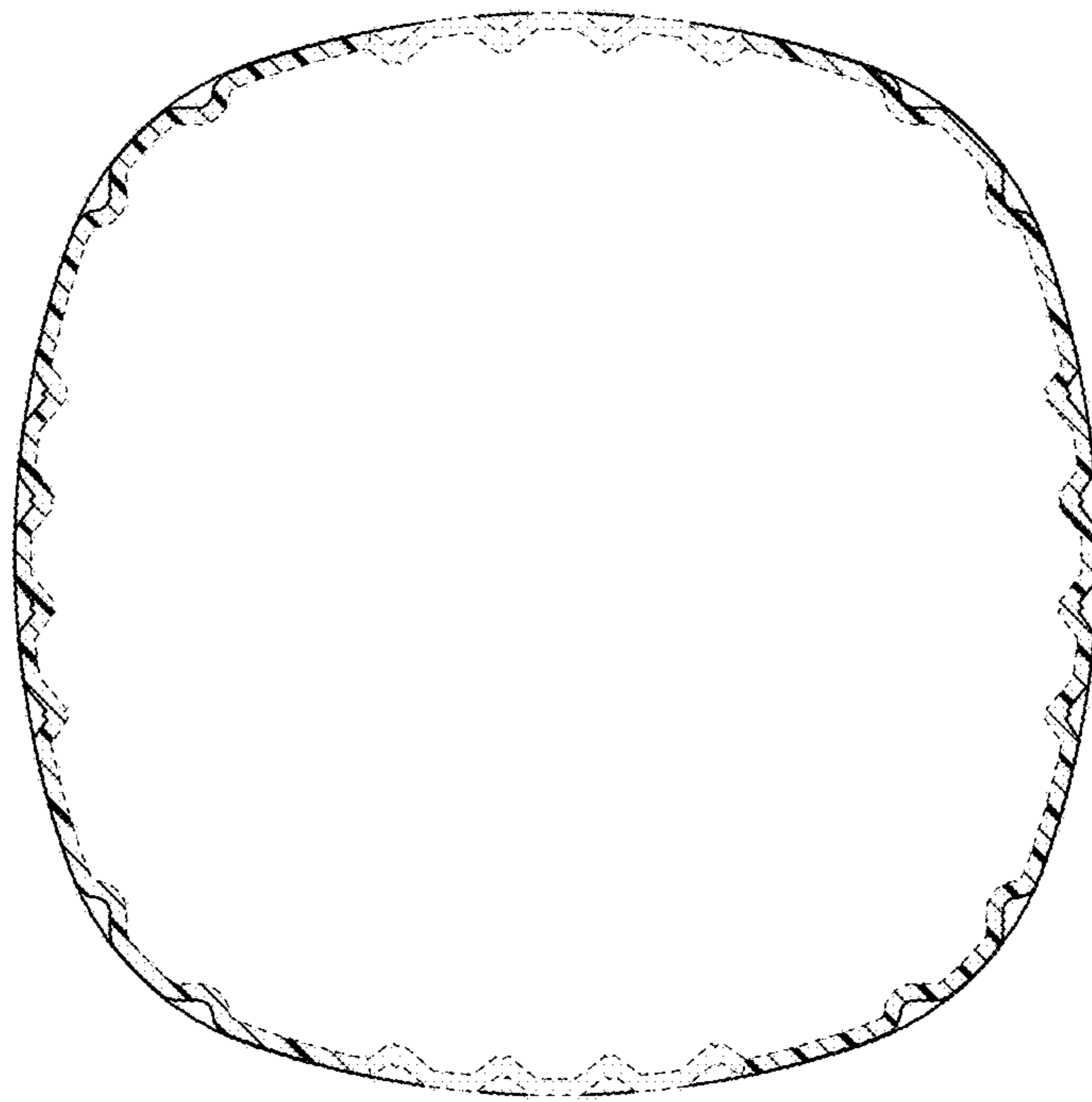


FIG. 16