



US00D864723S

(12) **United States Design Patent**
Banerjee et al.

(10) **Patent No.:** **US D864,723 S**

(45) **Date of Patent:** **** Oct. 29, 2019**

(54) **BOTTLE**

(71) Applicant: **Conopco, Inc.**, Englewood Cliffs, NJ (US)

(72) Inventors: **Sourav Banerjee**, Rotterdam (NL);
Arie Johannes van Puffelen, Vlaardingen (NL)

(73) Assignee: **CONOPCO INC.**, Englewood Cliffs, NJ (US)

(**) Term: **15 Years**

(21) Appl. No.: **29/637,144**

(22) Filed: **Feb. 14, 2018**

(30) **Foreign Application Priority Data**

Aug. 22, 2017 (EM) 004157865-0001
Aug. 22, 2017 (EM) 004157865-0002

(51) **LOC (12) Cl.** **09-01**

(52) **U.S. Cl.**
USPC **D9/542**; D9/563

(58) **Field of Classification Search**
USPC D9/516, 530, 541, 543, 544, 546, 559,
D9/560, 563, 572-574, 715, 719;
D7/619.1
CPC B65D 1/02; B65D 1/0207; B65D 1/0223;
B65D 1/14; B65D 2501/0081
See application file for complete search history.

(56) **References Cited**

U.S. PATENT DOCUMENTS

D645,356 S * 9/2011 Wheaton D9/454
D704,067 S * 5/2014 Scott D9/449
D740,125 S * 10/2015 Kuzma D9/542
D740,677 S * 10/2015 Kuzma D9/542
D743,800 S * 11/2015 Whisler D9/542
D752,986 S * 4/2016 Bos D9/541

D758,873 S * 6/2016 Appendini D9/516
D759,491 S * 6/2016 Mazur D9/542
D776,542 S * 1/2017 Dominick D9/541
D782,911 S * 4/2017 Dominick D9/542
D787,944 S * 5/2017 Bos D9/543
D788,590 S * 6/2017 Bos D9/543
D798,155 S * 9/2017 Dominick D9/516
D798,723 S * 10/2017 Nguyen D9/542
D807,186 S * 1/2018 Beauchamp D9/542

(Continued)

FOREIGN PATENT DOCUMENTS

EM 001291298-0003 8/2011

Primary Examiner — Ian Simmons

Assistant Examiner — Keith Frank

(74) *Attorney, Agent, or Firm* — Foley & Lardner LLP

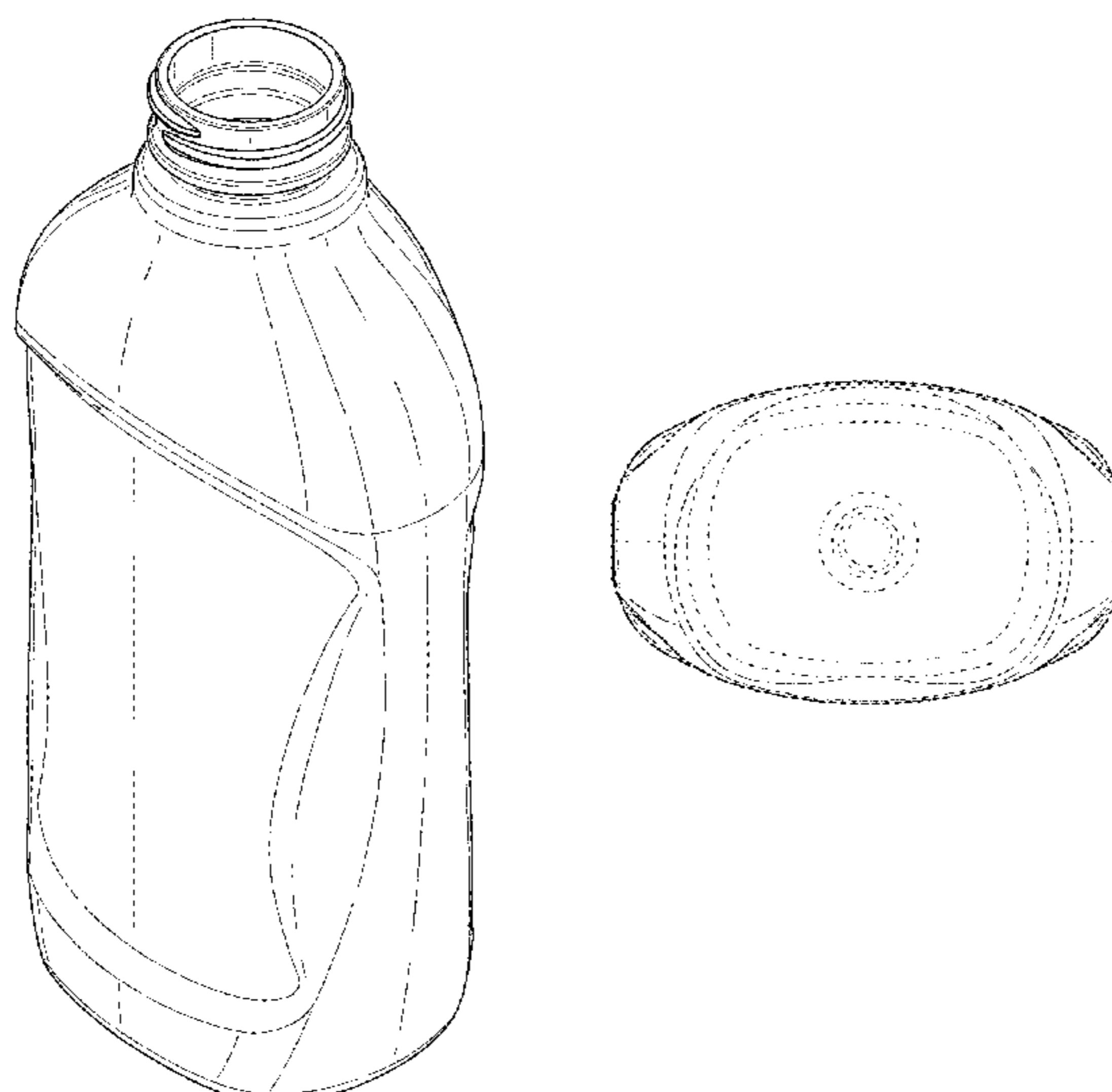
(57) **CLAIM**

The ornamental design for a bottle, as shown and described.

DESCRIPTION

FIG. 1 is a top perspective view of an embodiment of the claimed design;
FIG. 2 is a front view thereof;
FIG. 3 is a rear view thereof;
FIG. 4 is a left side view thereof;
FIG. 5 is a right side view thereof;
FIG. 6 is a top view thereof;
FIG. 7 is a bottom view thereof;
FIG. 8 is a top perspective view of another embodiment of the claimed design;
FIG. 9 is a front view thereof;
FIG. 10 is a rear view thereof;
FIG. 11 is a left side view thereof;
FIG. 12 is a right side view thereof;
FIG. 13 is a top view thereof; and,
FIG. 14 is a bottom view thereof.
Any portion of the bottle depicted in broken lines forms no part of the claimed design.

1 Claim, 10 Drawing Sheets



(56)

References Cited

U.S. PATENT DOCUMENTS

D808,275 S *	1/2018	Maier	D9/542
D812,482 S *	3/2018	Young	D9/542
D814,935 S *	4/2018	Ungrady	D9/542
D825,340 S *	8/2018	Halloran	D9/516
D828,172 S *	9/2018	Bos	D9/542

* cited by examiner

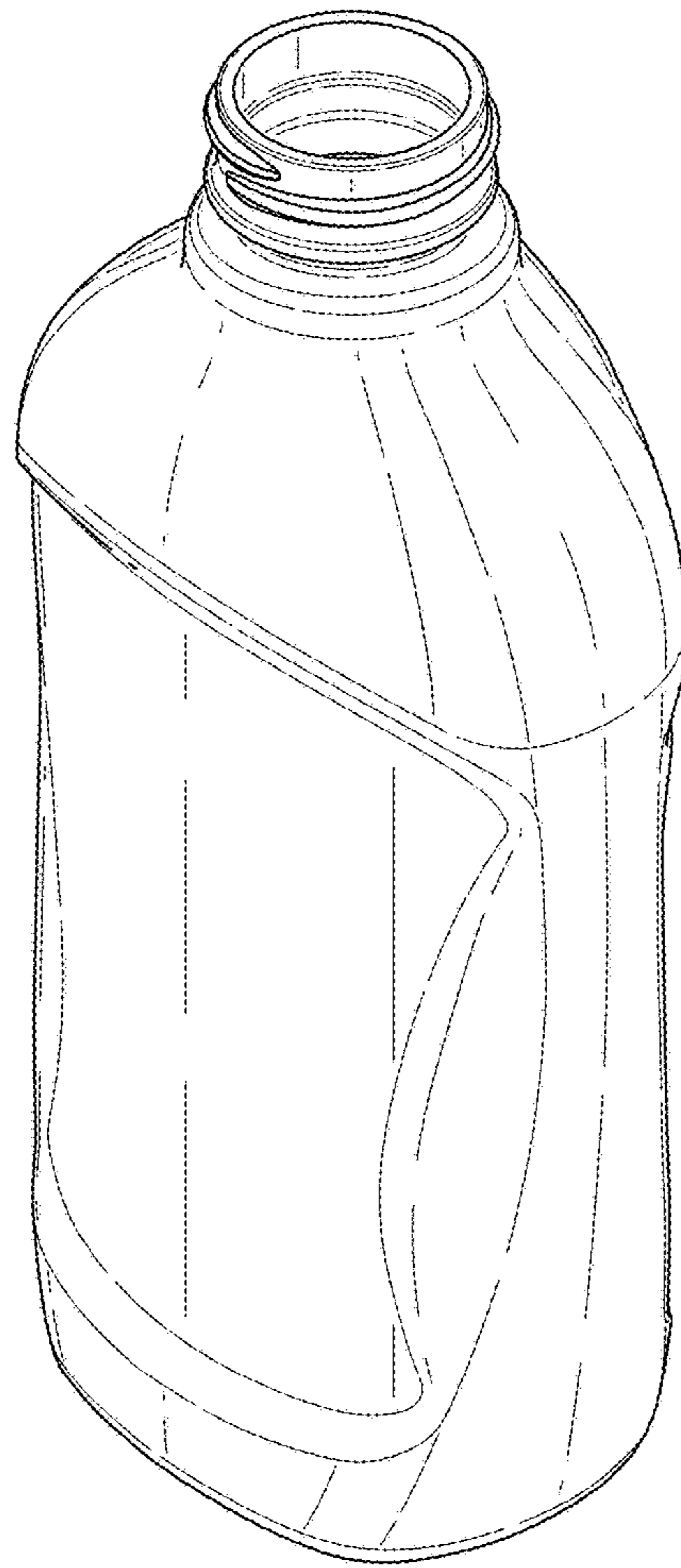


Fig. 1

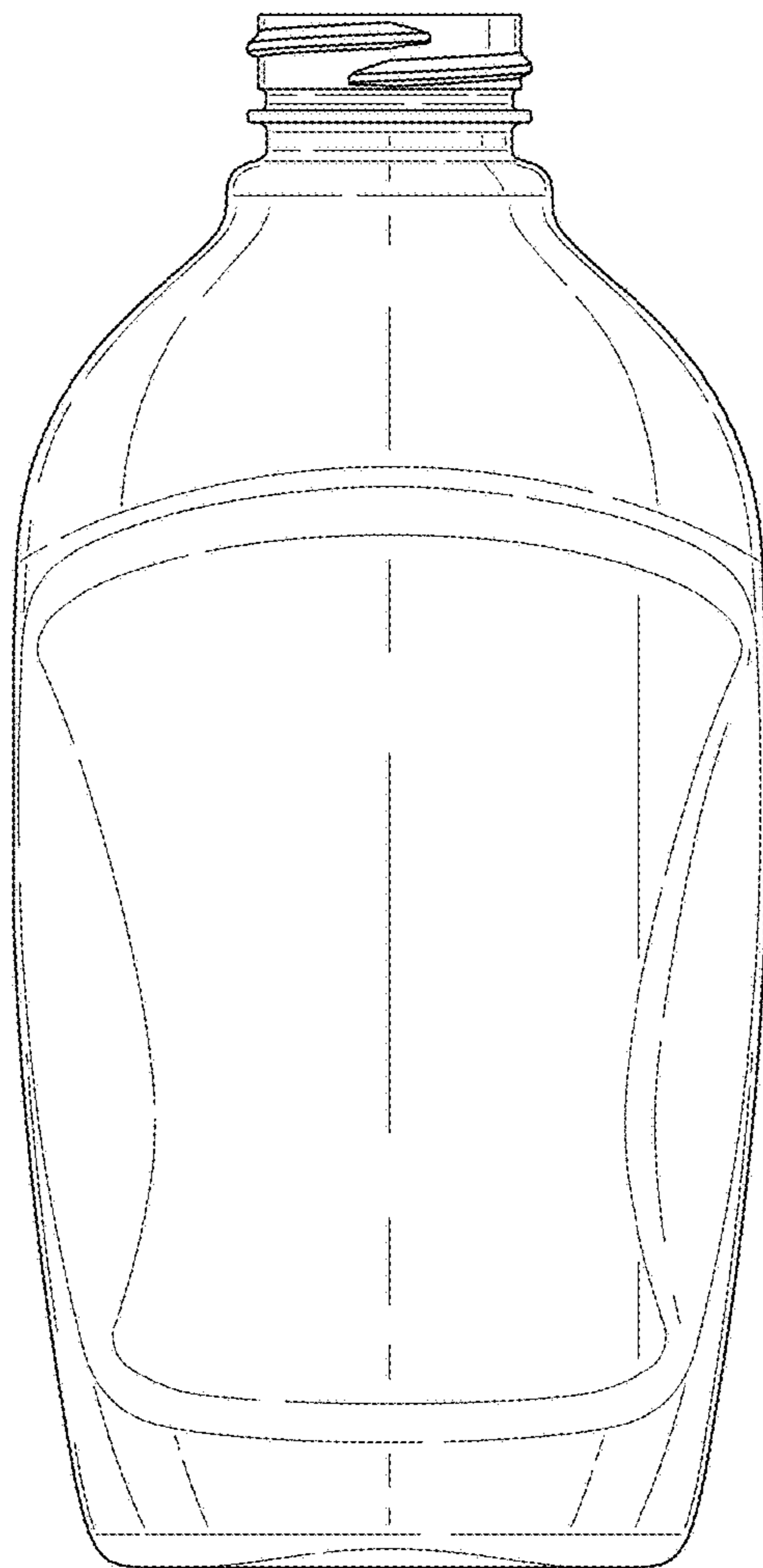


Fig. 2

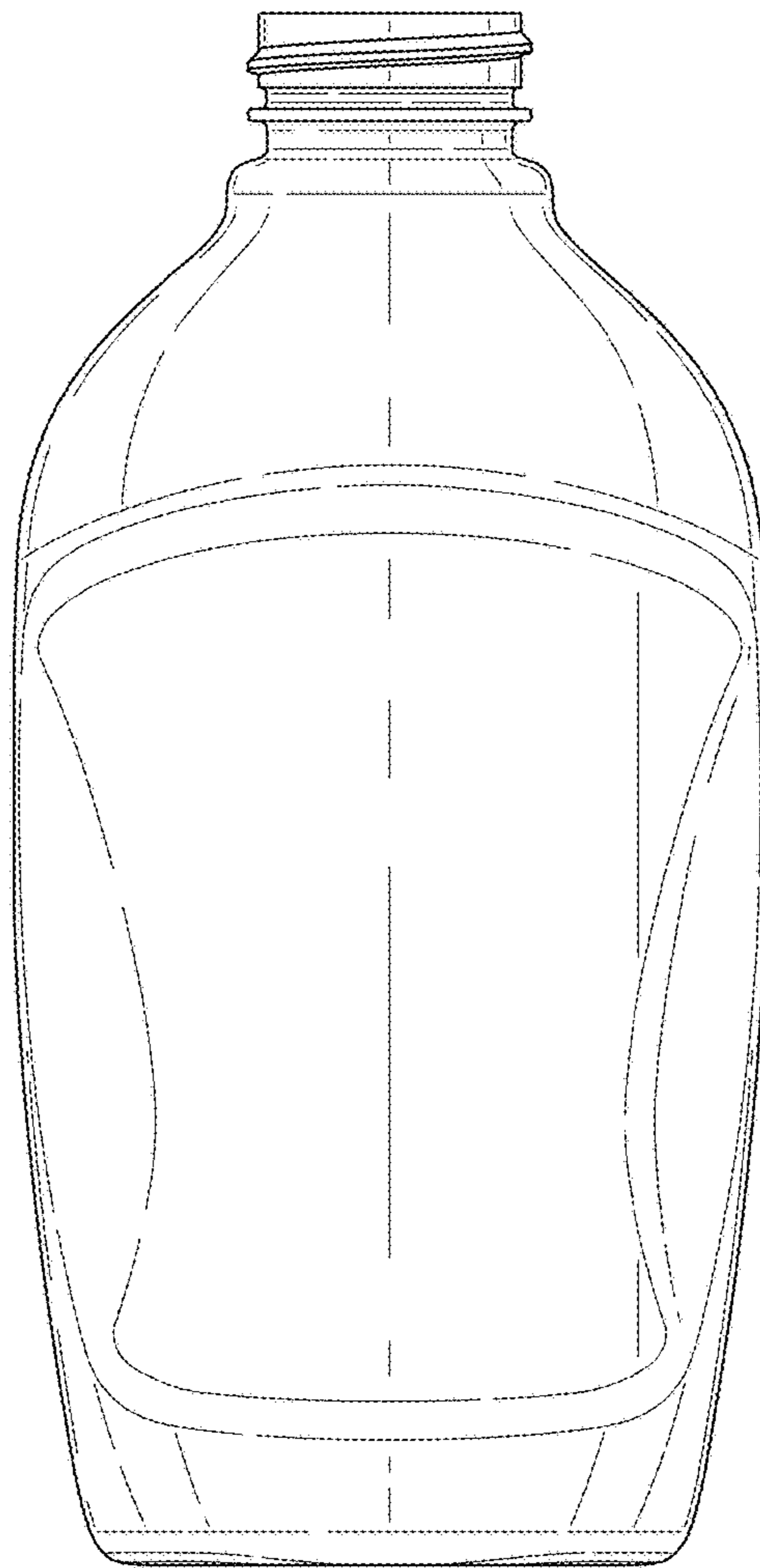


Fig. 3

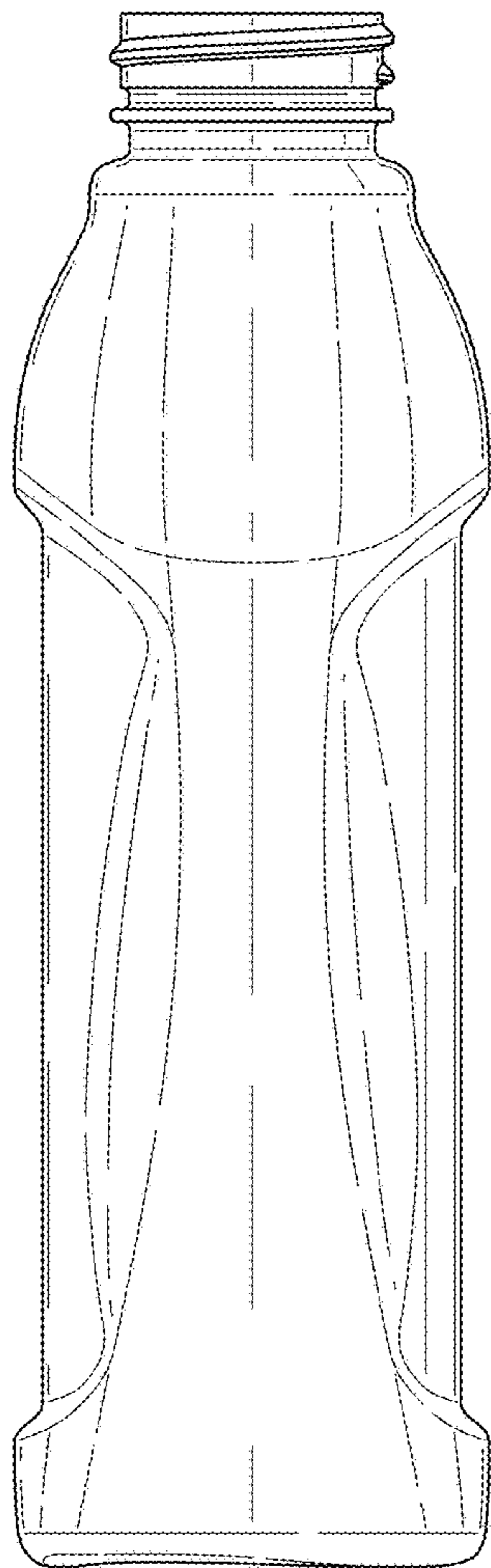


Fig. 4

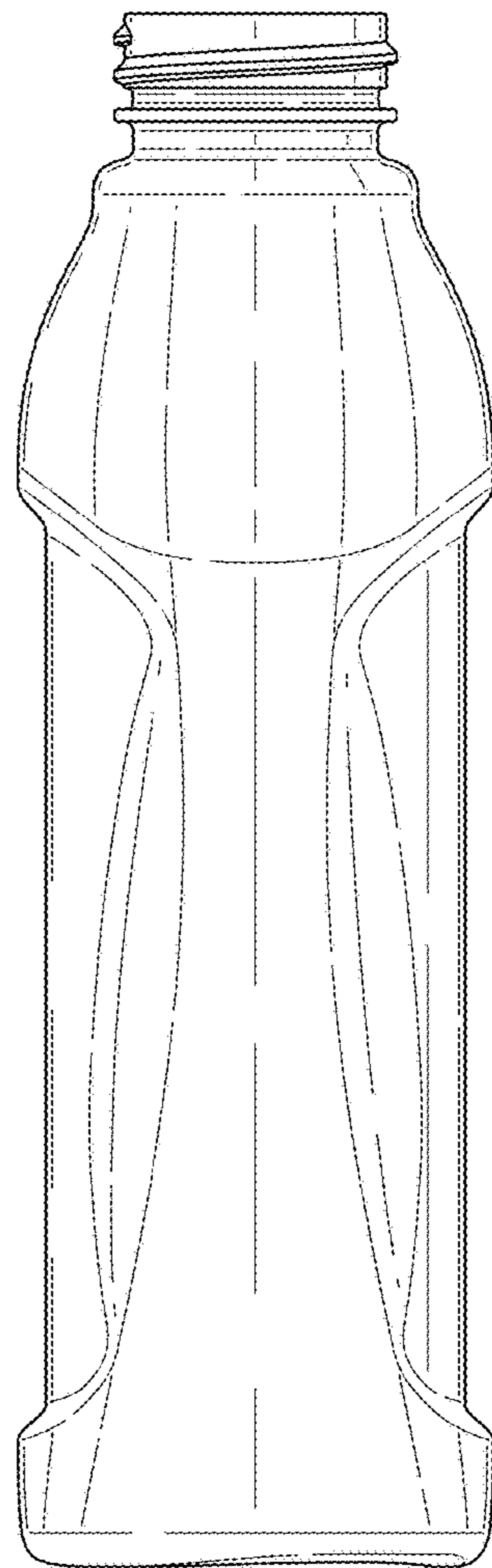


Fig. 5

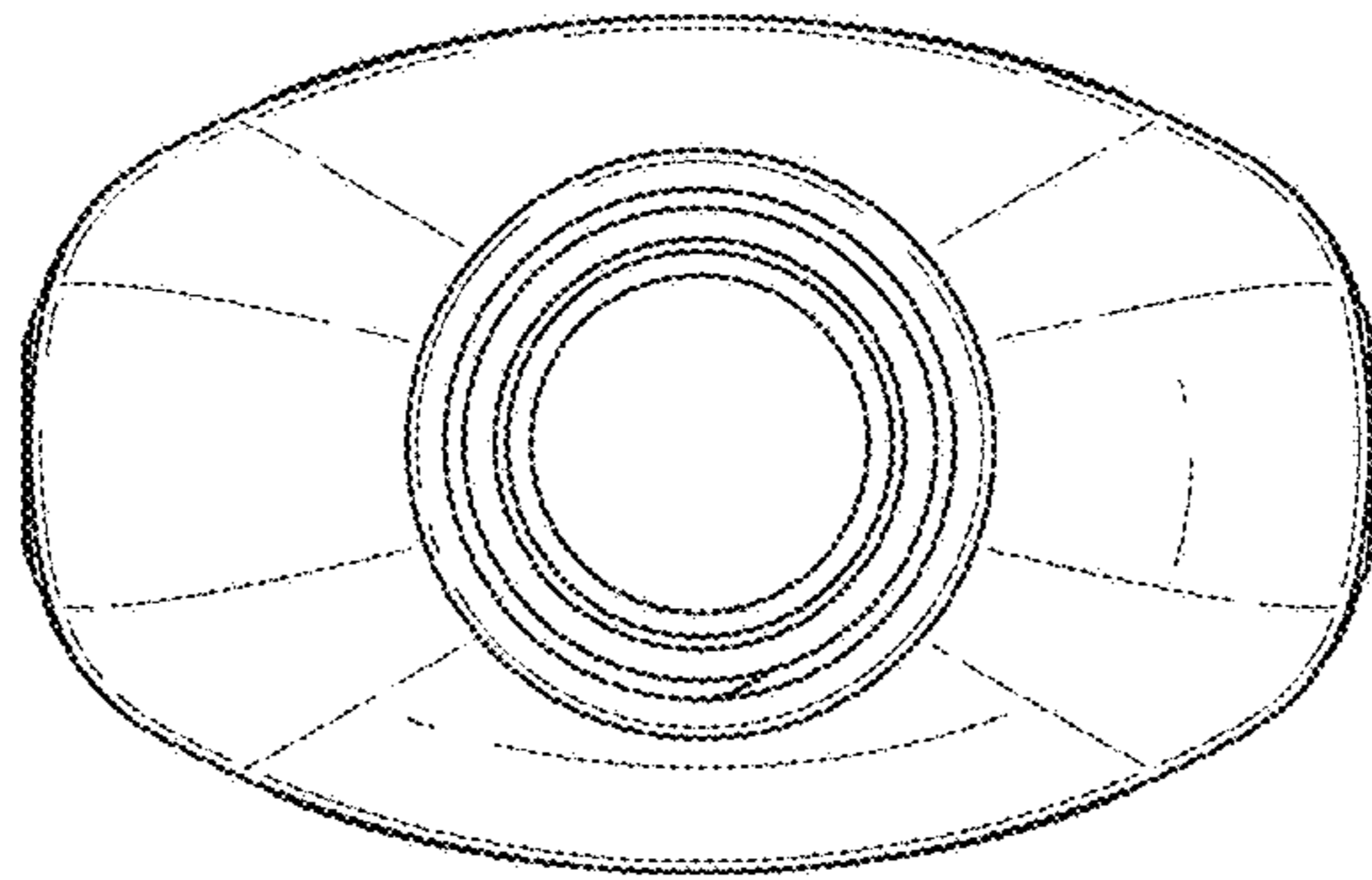


Fig. 6

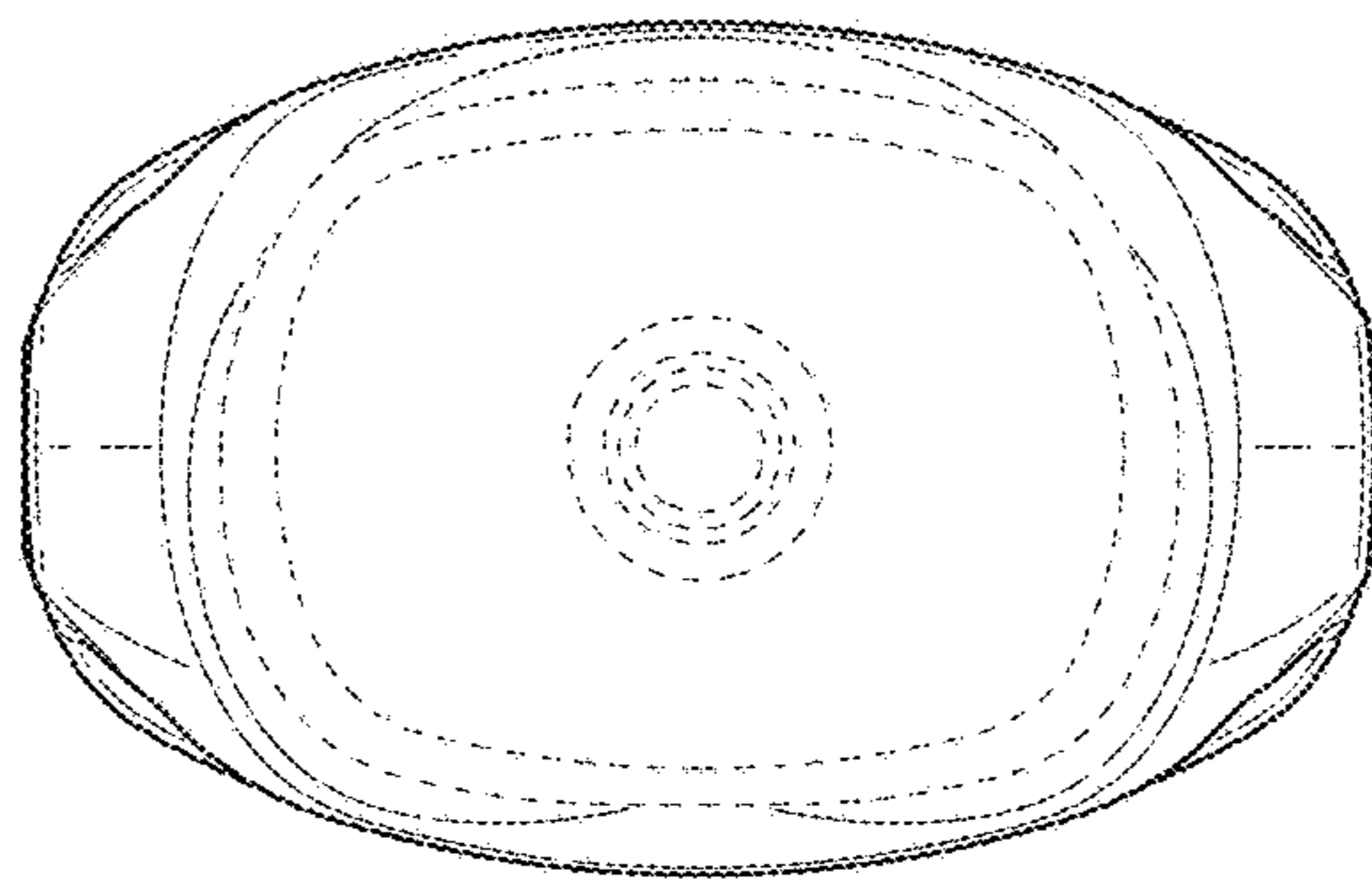


Fig. 7

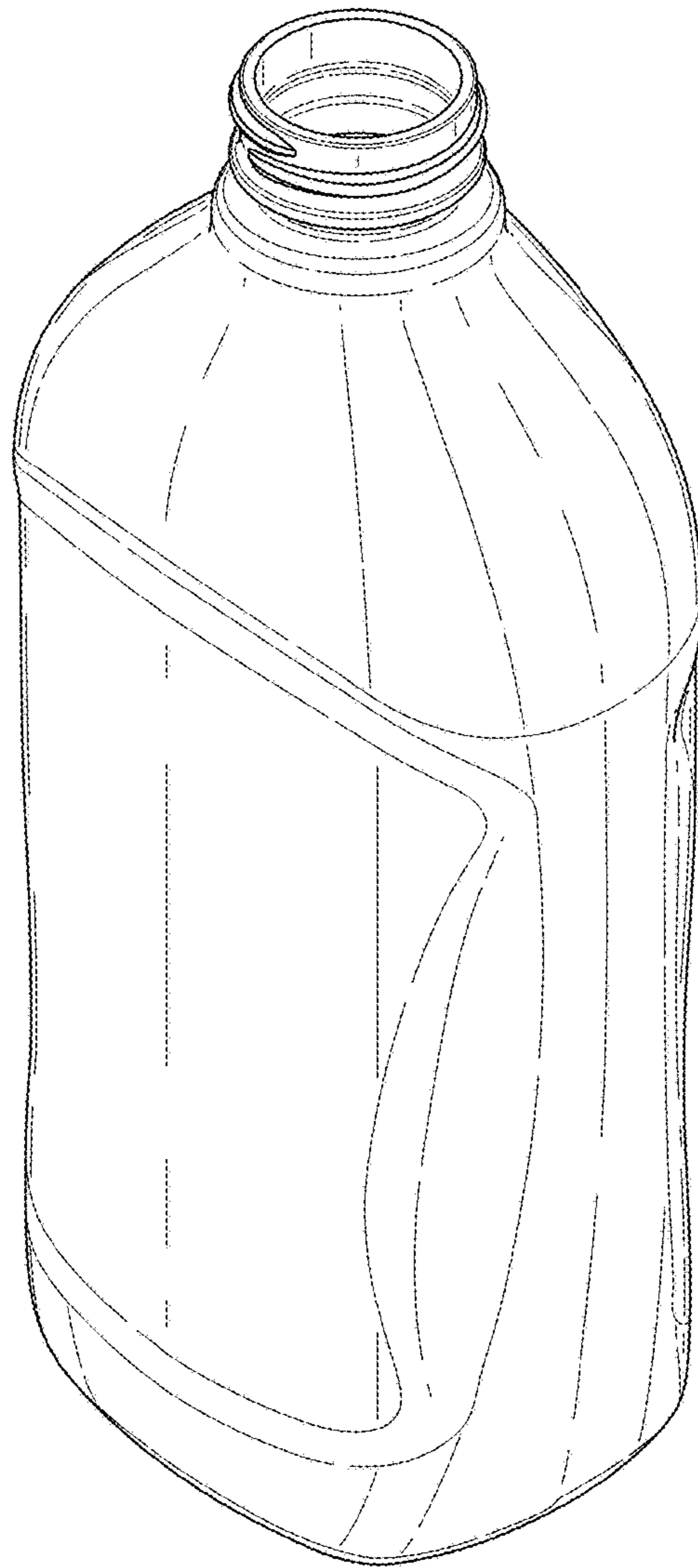


Fig. 8

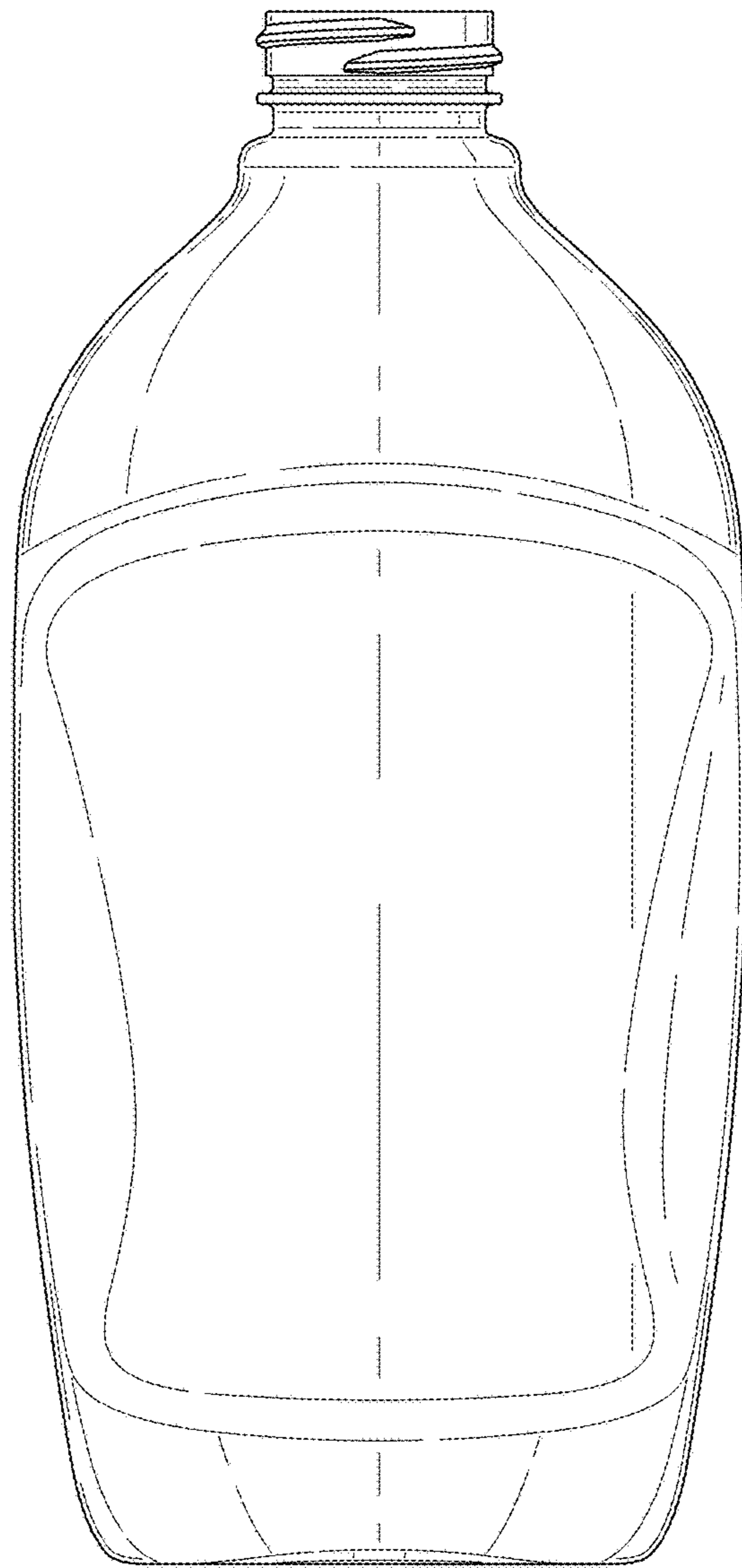


Fig. 9

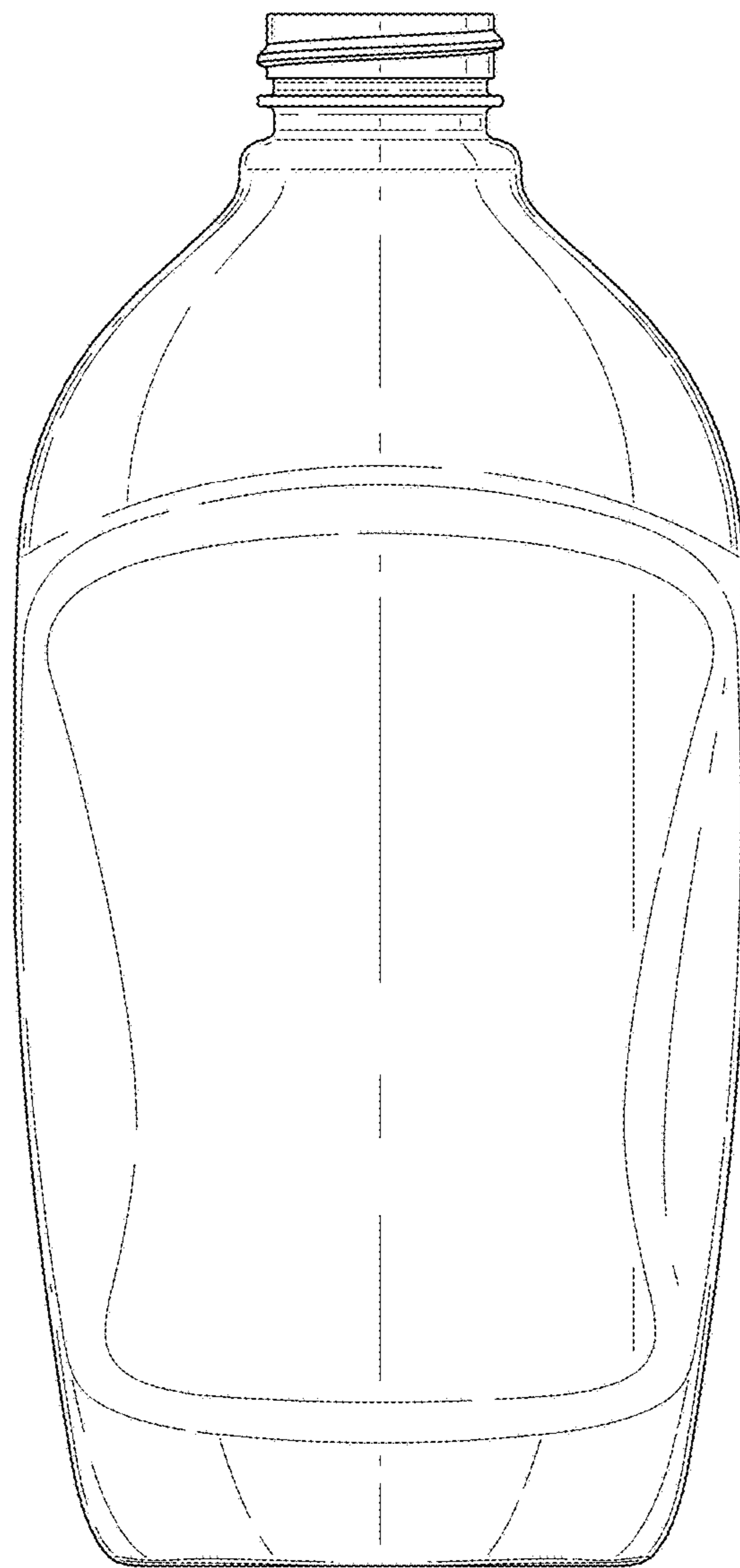


Fig. 10

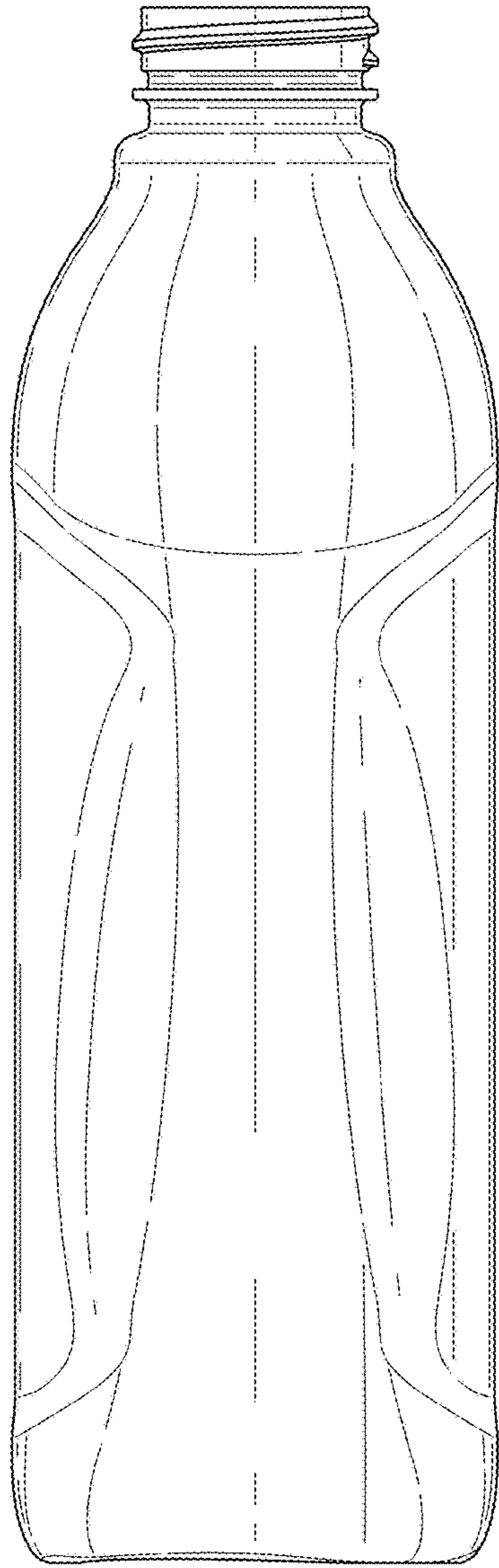


Fig. 11

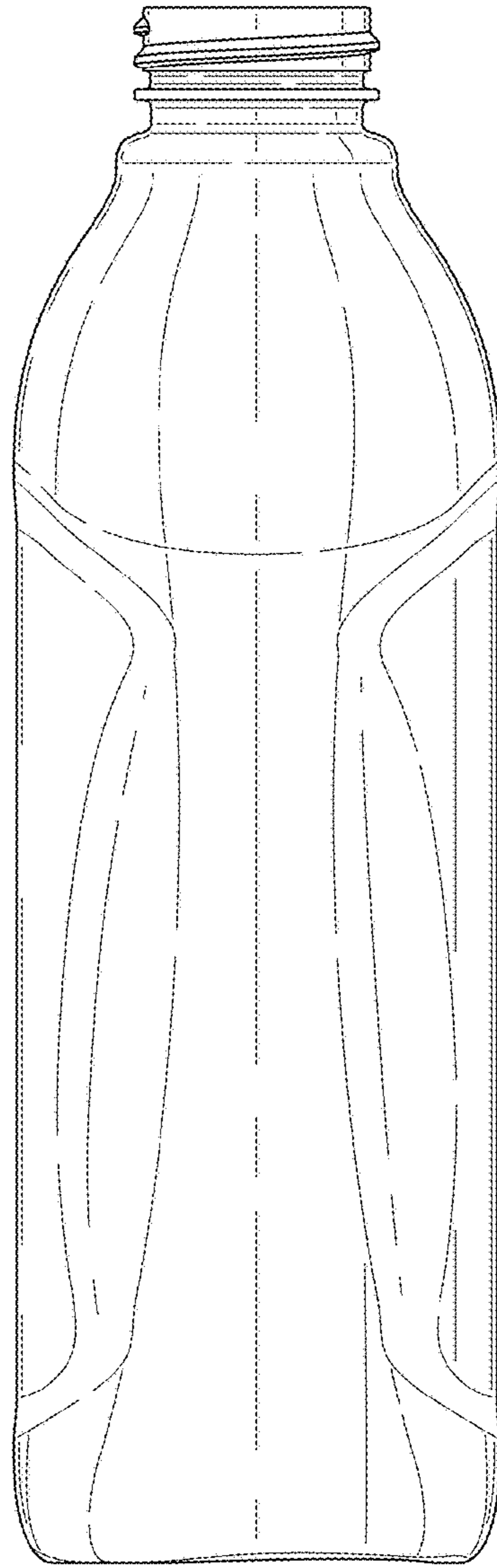


Fig. 12

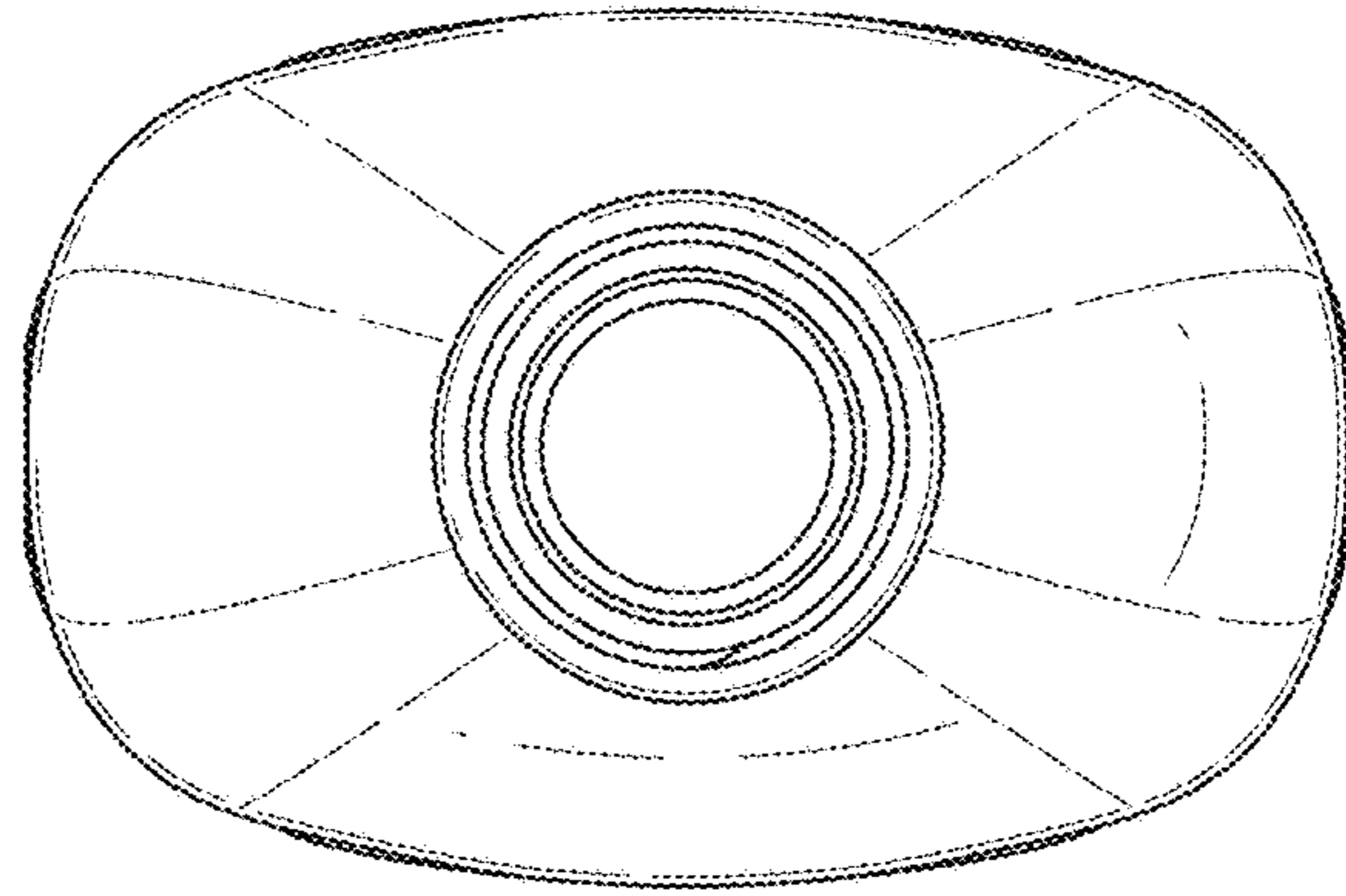


Fig. 13

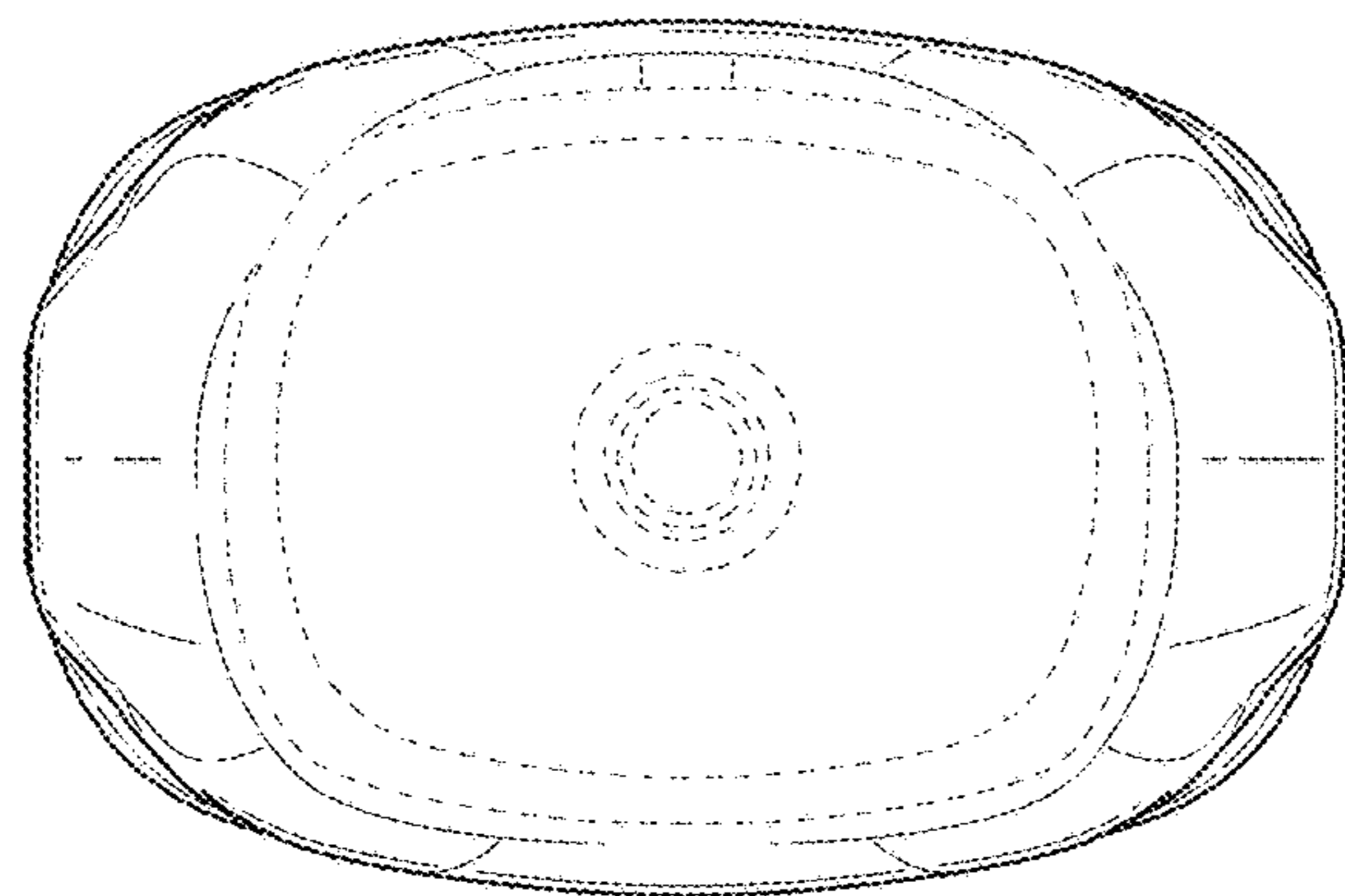


Fig. 14