



US00D864719S

(12) **United States Design Patent** (10) **Patent No.:** **US D864,719 S**
Berroa García (45) **Date of Patent:** **** Oct. 29, 2019**

(54) **CAP**
(71) Applicant: **BETAPACK, S.A.U.**, Irun (ES)
(72) Inventor: **Francisco Javier Berroa García**, Irun (ES)
(73) Assignee: **BETAPACK, S.A.U.**, Irun (ES)
(**) Term: **15 Years**
(21) Appl. No.: **29/649,589**
(22) Filed: **May 31, 2018**

D480,305 S * 10/2003 Nusbaum D9/435
D592,057 S * 5/2009 Guerin D9/449
7,611,025 B2 * 11/2009 Nusbaum B65D 47/0838
215/235
D608,199 S * 1/2010 Gross D9/449
D612,729 S * 3/2010 Lohrman D9/449
D625,605 S * 10/2010 Bardet D9/449
D630,093 S * 1/2011 Bardet D9/438
D640,134 S * 6/2011 Rognard D9/447
D672,650 S * 12/2012 Wisniewski D9/443
D673,042 S * 12/2012 Antier D9/443
D673,043 S * 12/2012 Antier D9/443
D673,044 S * 12/2012 Wisniewski D9/443
D738,737 S * 9/2015 McCay D9/449
D768,490 S * 10/2016 Robinson D9/449
D784,808 S * 4/2017 Berroa Garcia D9/434
D837,650 S * 1/2019 Rognard D9/449

(30) **Foreign Application Priority Data**

Dec. 18, 2017 (EM) 004555175

(51) **LOC (12) Cl.** **09-07**

(52) **U.S. Cl.**
USPC **D9/449**

(58) **Field of Classification Search**

USPC D9/414, 415, 424, 425, 434, 435, 436,
D9/443, 444-452, 454-456, 499, 529,
D9/682, 685, 686; D7/387, 391, 392,
D7/392.1, 396.1, 396.2, 396.3, 396.4,
D7/397, 398, 401.1, 507, 509-511, 538,
D7/900; D3/202, 203.2; D28/91, 91.1
CPC .. A61J 1/00; A61J 1/1412; B65D 1/00; B65D
1/02; B65D 1/10; B65D 1/46; B65D
2585/56; B65D 2585/545; B65D 41/00;
B65D 41/38; B65D 41/56; B65D 41/62;
B65D 47/00; B65D 47/06; B65D 47/08;
B65D 2543/00046; B65D 2543/00092;
B65D 2543/00296; B65D 5/46; B65D
2251/00

See application file for complete search history.

(56) **References Cited**

U.S. PATENT DOCUMENTS

D265,060 S * 6/1982 Blank D9/446
D306,265 S * 2/1990 Leebeek D9/435

* cited by examiner

Primary Examiner — Michael A. Pratt

Assistant Examiner — Wendy L Arminio

(74) *Attorney, Agent, or Firm* — Westman, Champlin & Koehler, P.A.

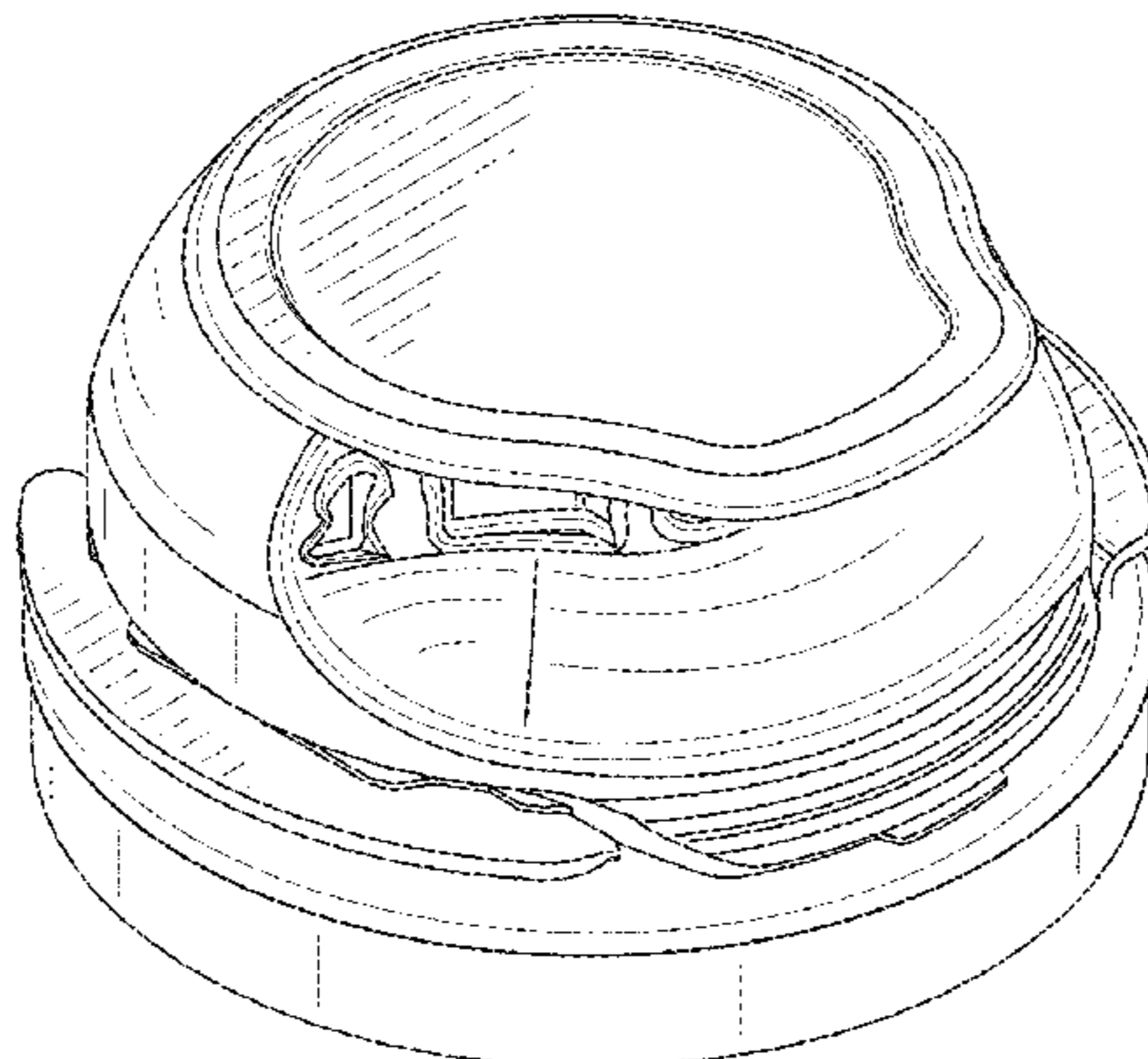
(57) **CLAIM**

The ornamental design for a cap, as shown and described.

DESCRIPTION

FIG. 1 is a perspective view of a cap showing the design;
FIG. 2 is a front elevation view thereof;
FIG. 3 is a top plan view thereof;
FIG. 4 is a left side elevation view thereof, the right side being a mirror image;
FIG. 5 is a rear elevation view thereof; and,
FIG. 6 is a bottom plan view thereof.
The broken lines in the drawings are included for the purpose of showing portions of the cap that form no part of the claimed design.

1 Claim, 3 Drawing Sheets



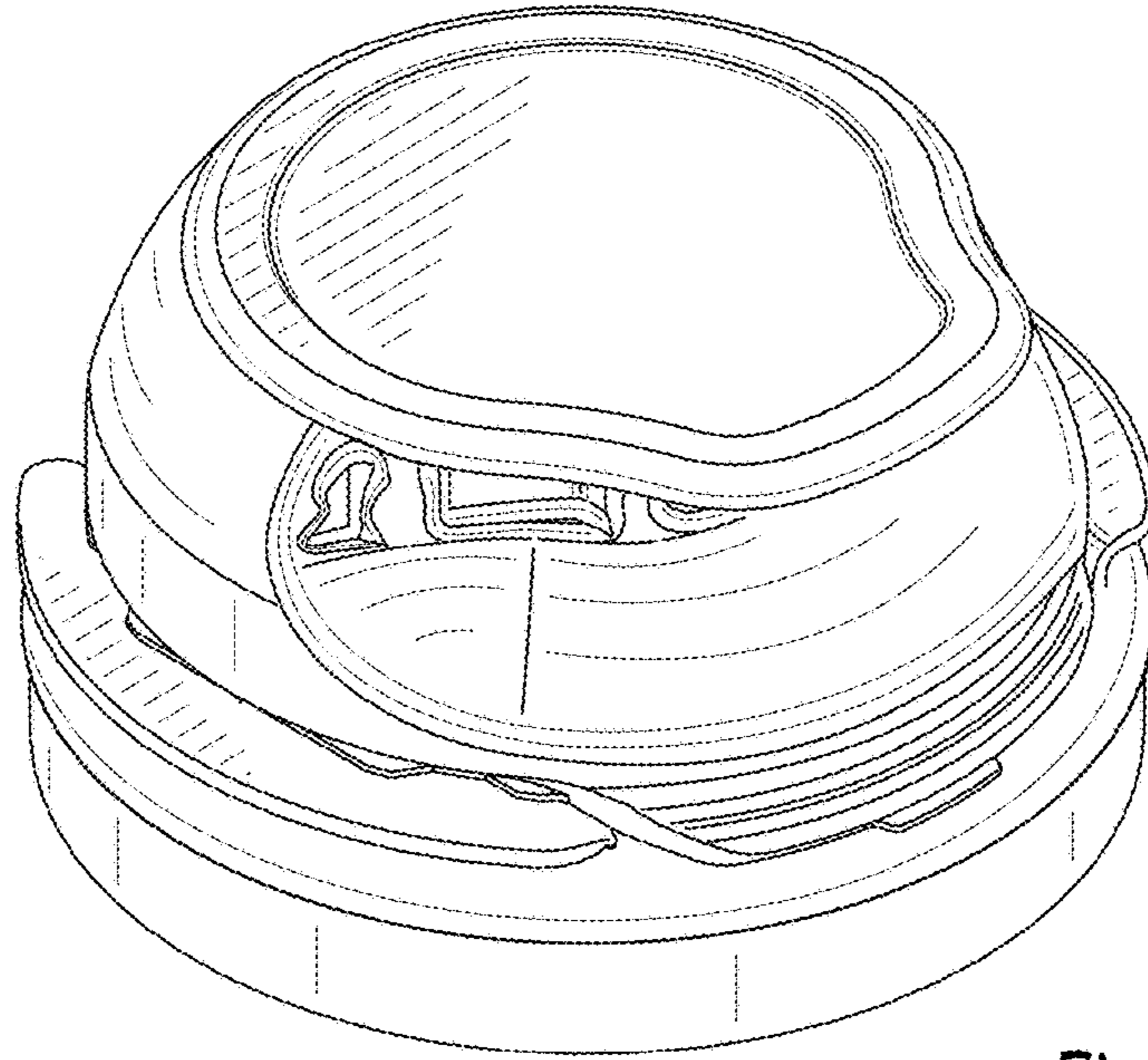


Fig. 1

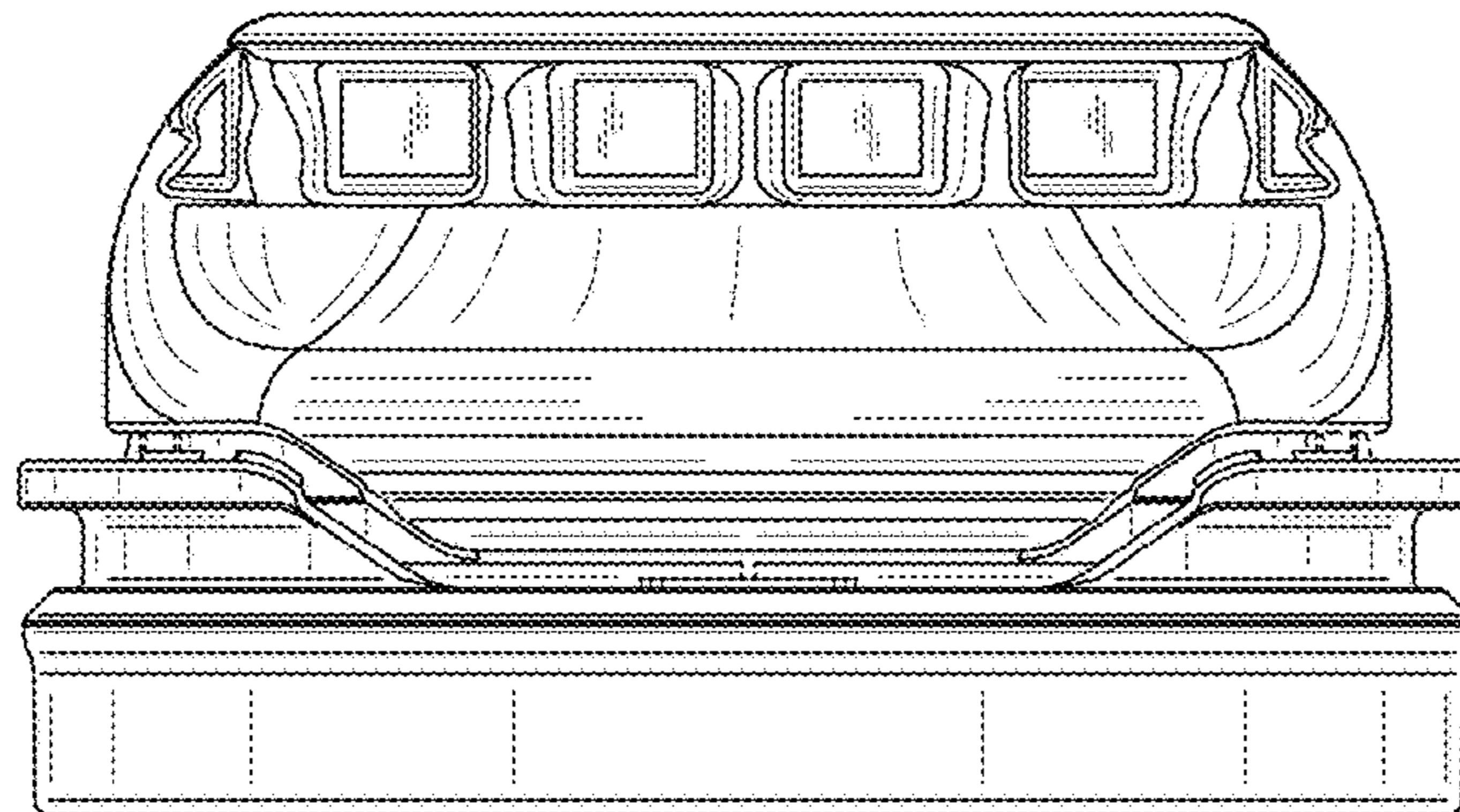


Fig. 2

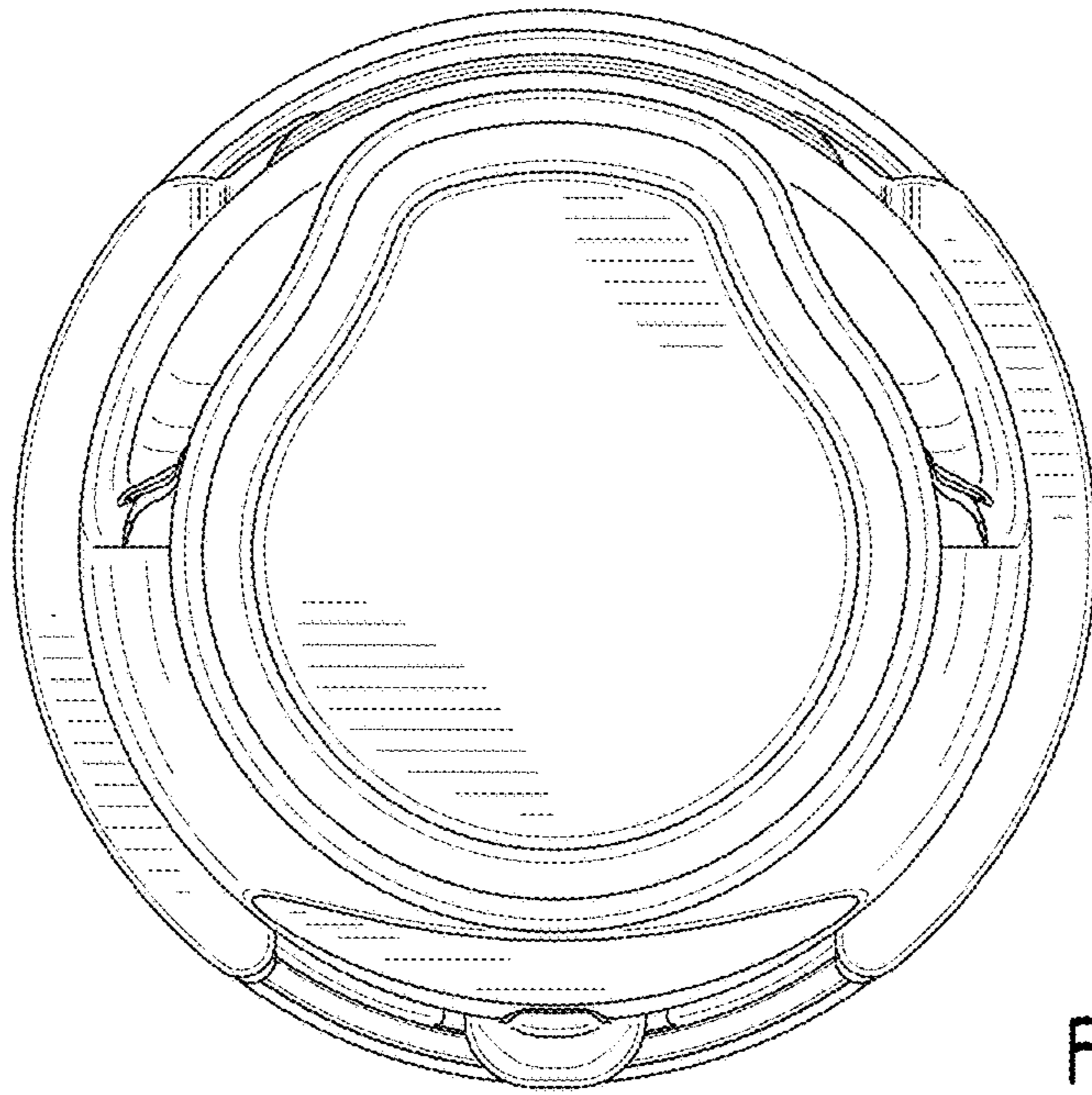


Fig. 3

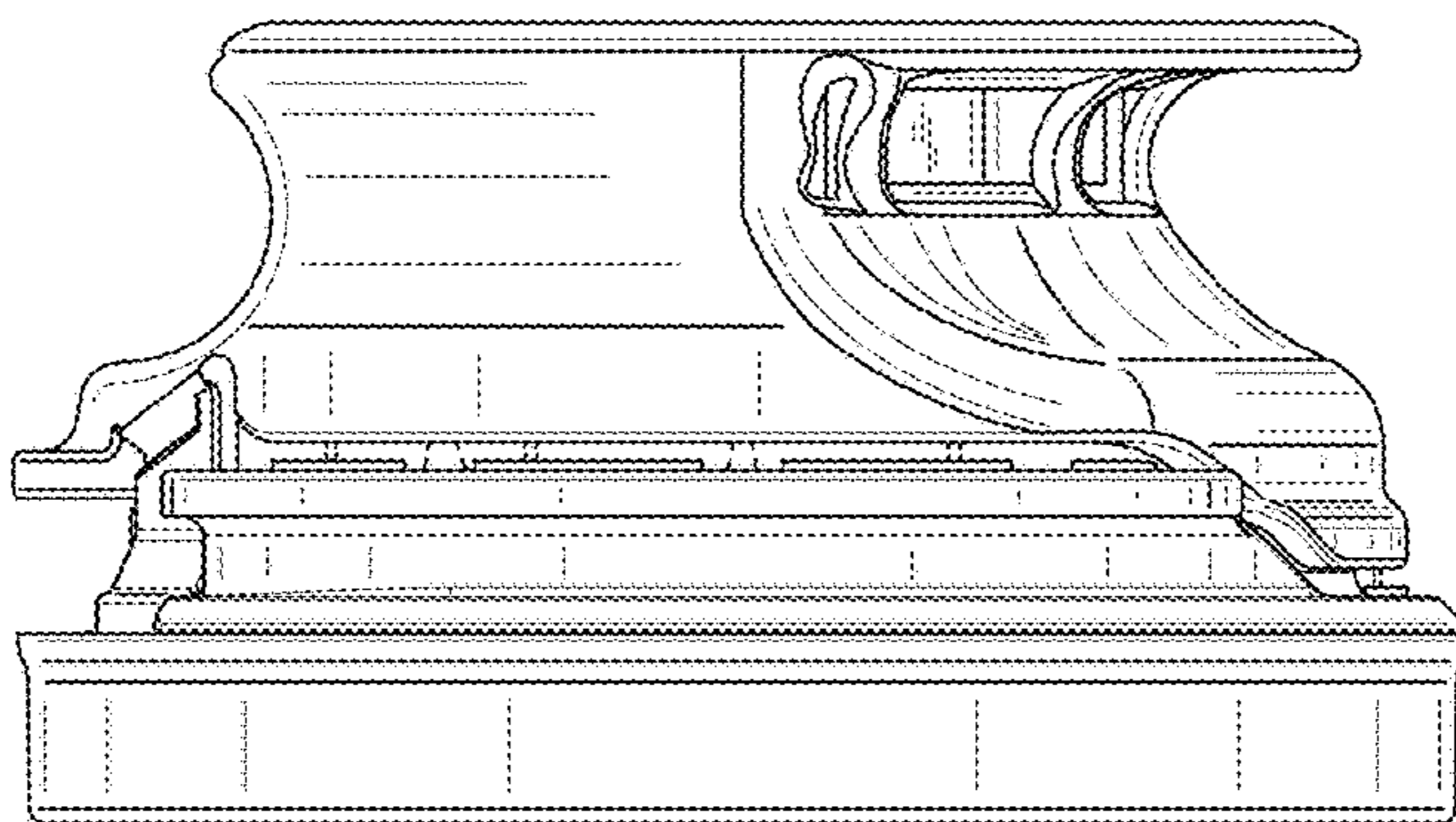


Fig. 4

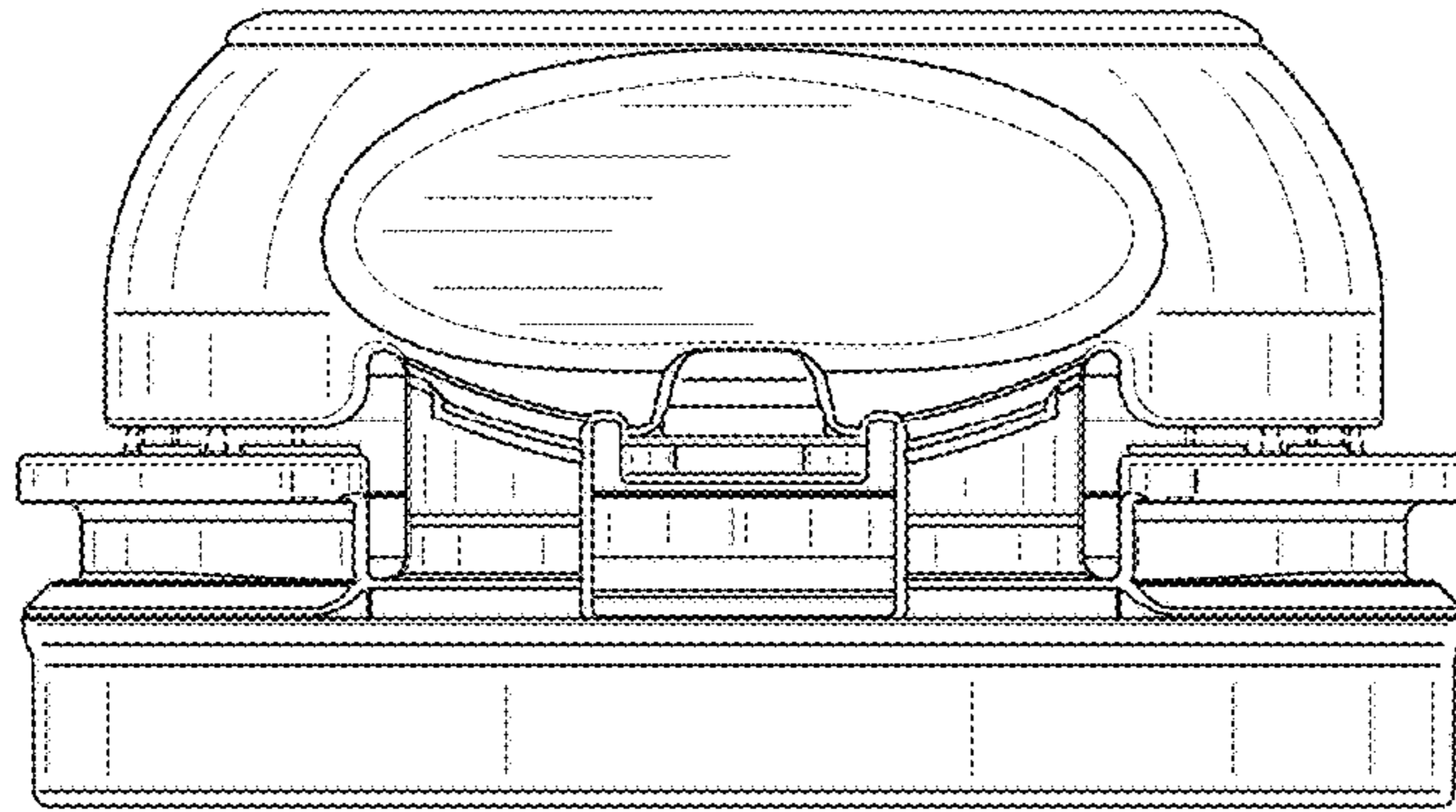


Fig. 5

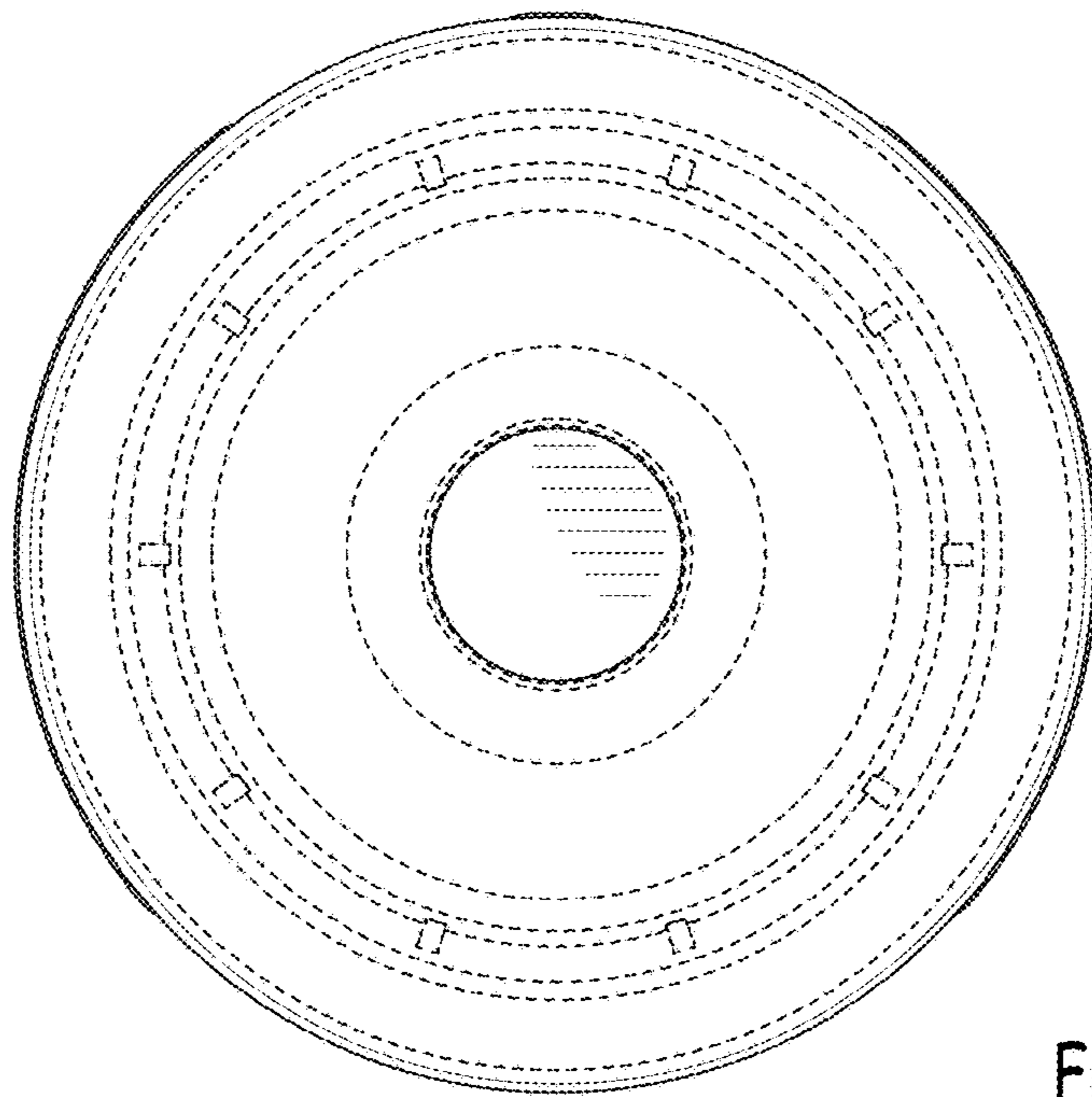


Fig. 6