



US00D864718S

(12) **United States Design Patent**
Gibney et al.

(10) **Patent No.:** **US D864,718 S**

(45) **Date of Patent:** **** Oct. 29, 2019**

(54) **PAINT CAN LID**

(71) Applicants: **Timothy Gibney**, Santa Rosa, CA
(US); **Larry Childs**, Rohnert Park, CA
(US)

(72) Inventors: **Timothy Gibney**, Santa Rosa, CA
(US); **Larry Childs**, Rohnert Park, CA
(US)

(73) Assignee: **Timothy Gibney**, Santa Rosa, CA (US)

(**) Term: **15 Years**

(21) Appl. No.: **29/643,355**

(22) Filed: **Apr. 6, 2018**

(51) **LOC (12) Cl.** **09-07**

(52) **U.S. Cl.**

USPC **D9/447**; D32/53.1; D32/54

(58) **Field of Classification Search**

USPC D9/428, 429, 432, 434, 435, 436, 439,
D9/440, 443, 444, 445, 447, 449-455,
D9/499, 500, 503, 504, 705; D7/317,
D7/387, 391, 392, 392.1, 393, 396.1,
D7/396.2, 509-511, 538, 900; D3/202,
D3/203.2, 294, 302, 318; D28/91;
D32/53, 53.1, 54; D34/39
CPC .. A61J 1/00; A61J 1/1412; B65D 1/00; B65D
1/02; B65D 1/10; B65D 1/46; B65D
2585/56; B65D 2585/545; B65D 41/00;
B65D 41/38; B65D 41/56; B65D 41/62;
B65D 47/00; B65D 47/06; B65D 47/08;
B65D 2543/00046; B65D 2543/00092;
B65D 2543/00296; B65D 5/46; B65D
2251/00

See application file for complete search history.

(56) **References Cited**

U.S. PATENT DOCUMENTS

D214,360 S * 6/1969 Huber D34/39
D288,667 S * 3/1987 Miner D9/440

D345,833 S * 4/1994 Truran D32/54
D359,236 S * 6/1995 Spafford D9/447
D379,302 S * 5/1997 Rodman D9/440
D382,203 S * 8/1997 Fonville D7/900
5,743,425 A * 4/1998 Ellis B65D 39/082
220/254.2
D420,849 S * 2/2000 Jarvis D7/391
D422,394 S * 4/2000 Scott D34/39
D467,049 S * 12/2002 Kohn D32/53.1
D467,398 S * 12/2002 Kohn D32/53.1
6,783,019 B2 * 8/2004 Zettle B65D 43/0212
220/254.3
7,137,525 B2 11/2006 Gibney
D533,779 S * 12/2006 Schmidtner D9/449
D576,772 S * 9/2008 Bates D32/54
D597,725 S * 8/2009 Smeaton D34/11
7,866,329 B2 * 1/2011 Bates B44D 3/006
134/138
D673,047 S * 12/2012 Stamper D9/453
D688,434 S * 8/2013 Kinsky D32/53
8,528,776 B2 * 9/2013 Treacy B44D 3/123
211/DIG. 1

(Continued)

Primary Examiner — Michael A. Pratt

Assistant Examiner — Wendy L Arminio

(74) *Attorney, Agent, or Firm* — Staniford Tomita LLP

(57) **CLAIM**

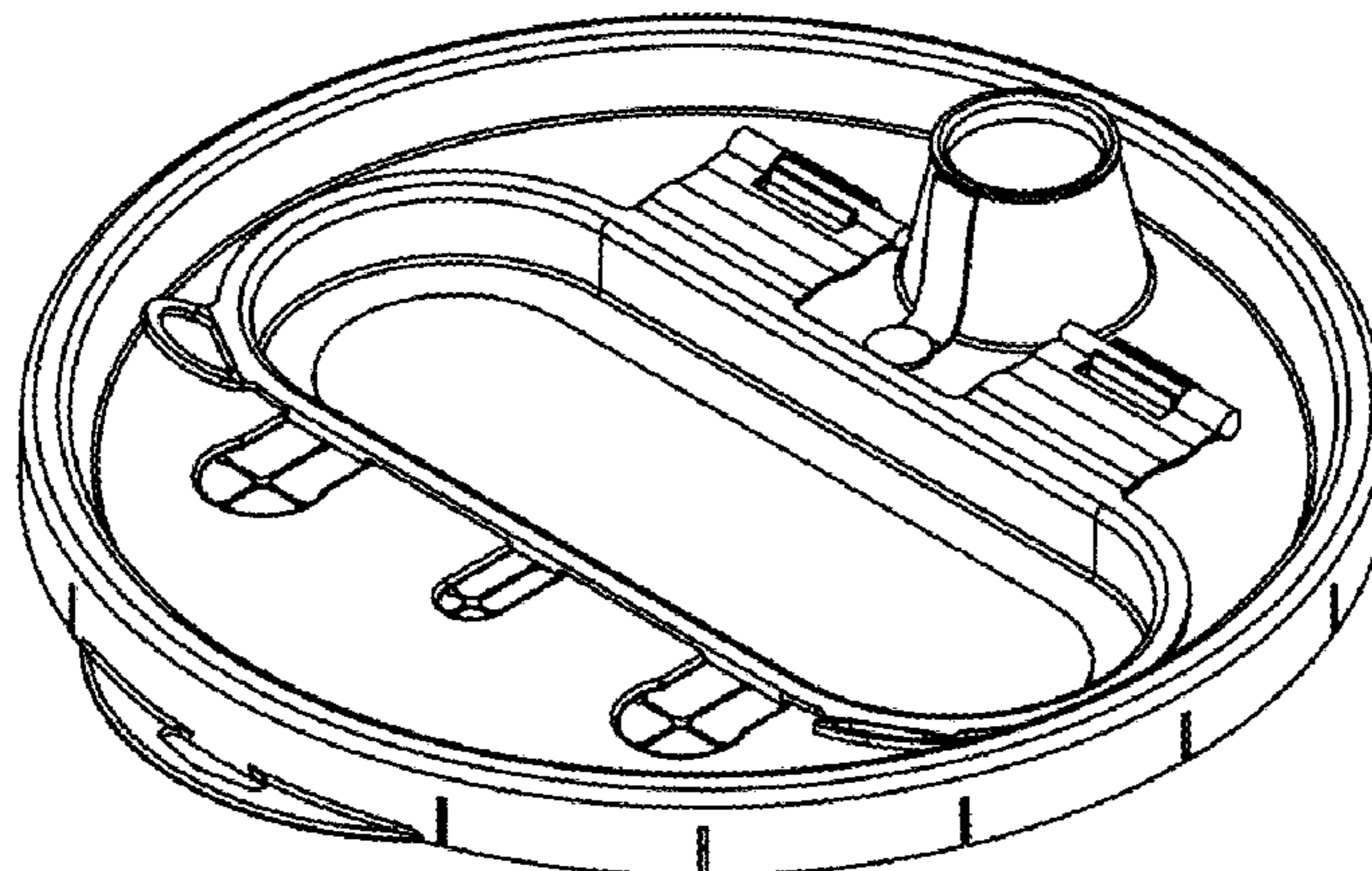
The ornamental design for a paint can lid, as shown and described.

DESCRIPTION

FIG. 1 is a top view of a paint can lid;
FIG. 2 is a side view thereof;
FIG. 3 is a perspective view thereof;
FIG. 4 is another side view thereof; and,
FIG. 5 is a bottom view thereof.

The broken lines illustrate portions of the paint can lid that form no part of the claimed design.

1 Claim, 2 Drawing Sheets



(56)

References Cited

U.S. PATENT DOCUMENTS

D692,720 S * 11/2013 Audette D7/392
D826,511 S * 8/2018 Ching D34/39
2004/0074933 A1* 4/2004 Tilbrook B44D 3/127
222/530

* cited by examiner

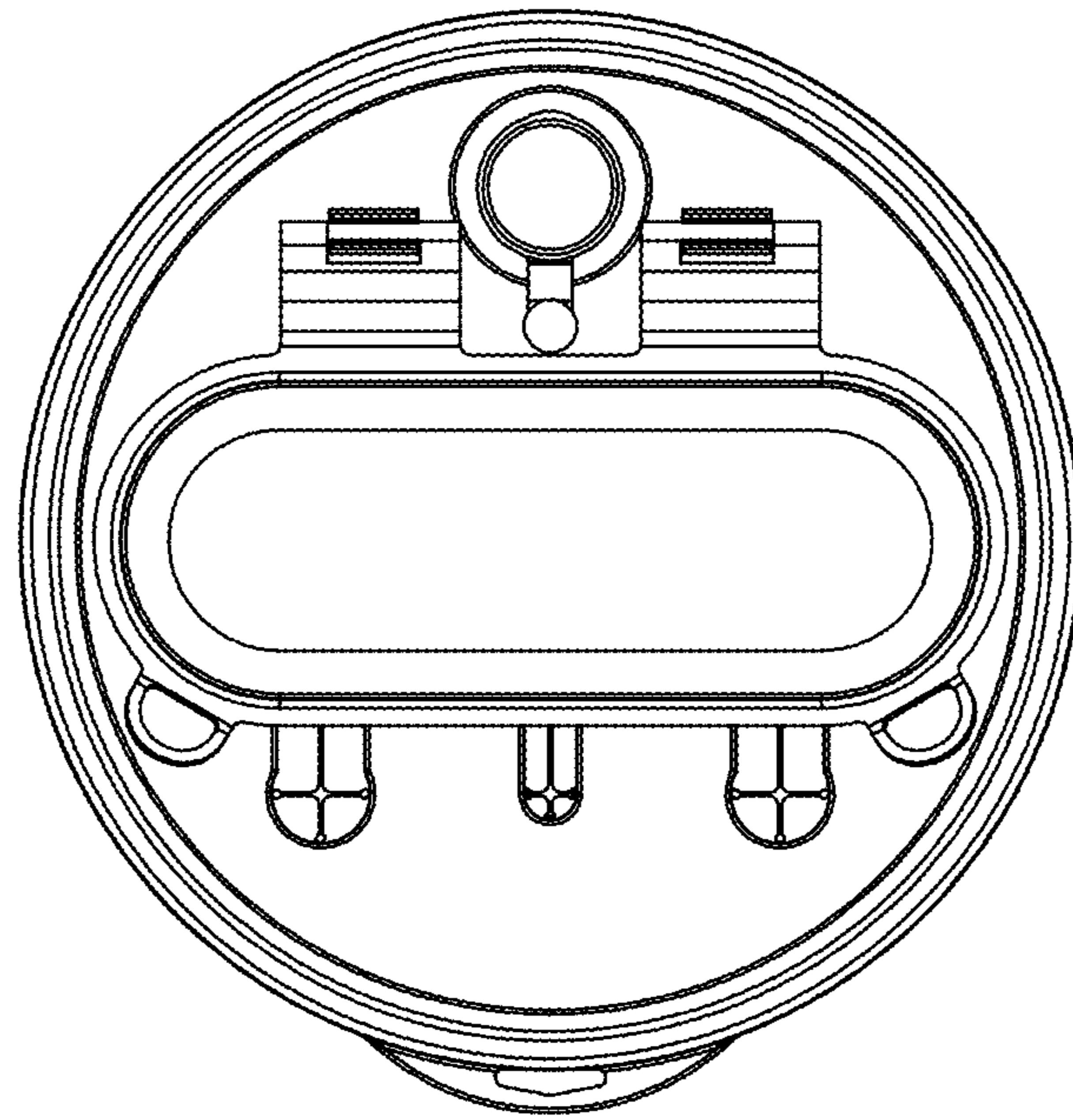


FIG. 1

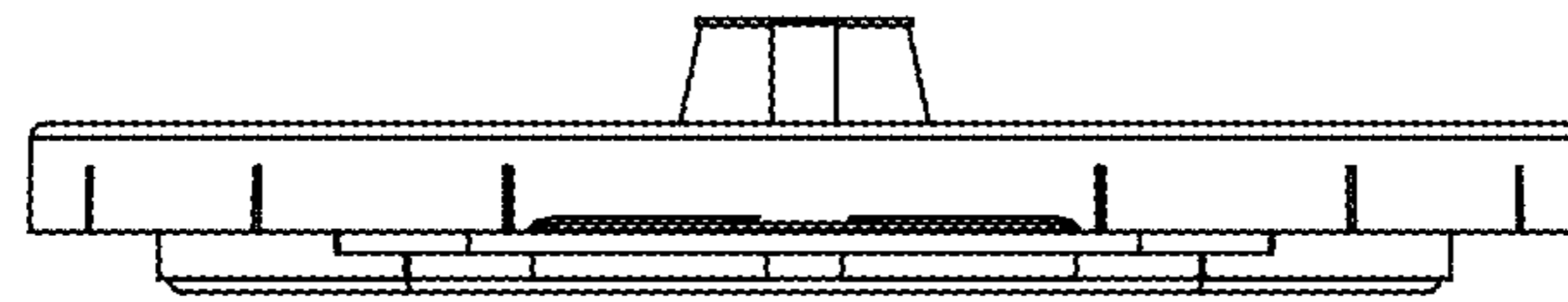


FIG. 2

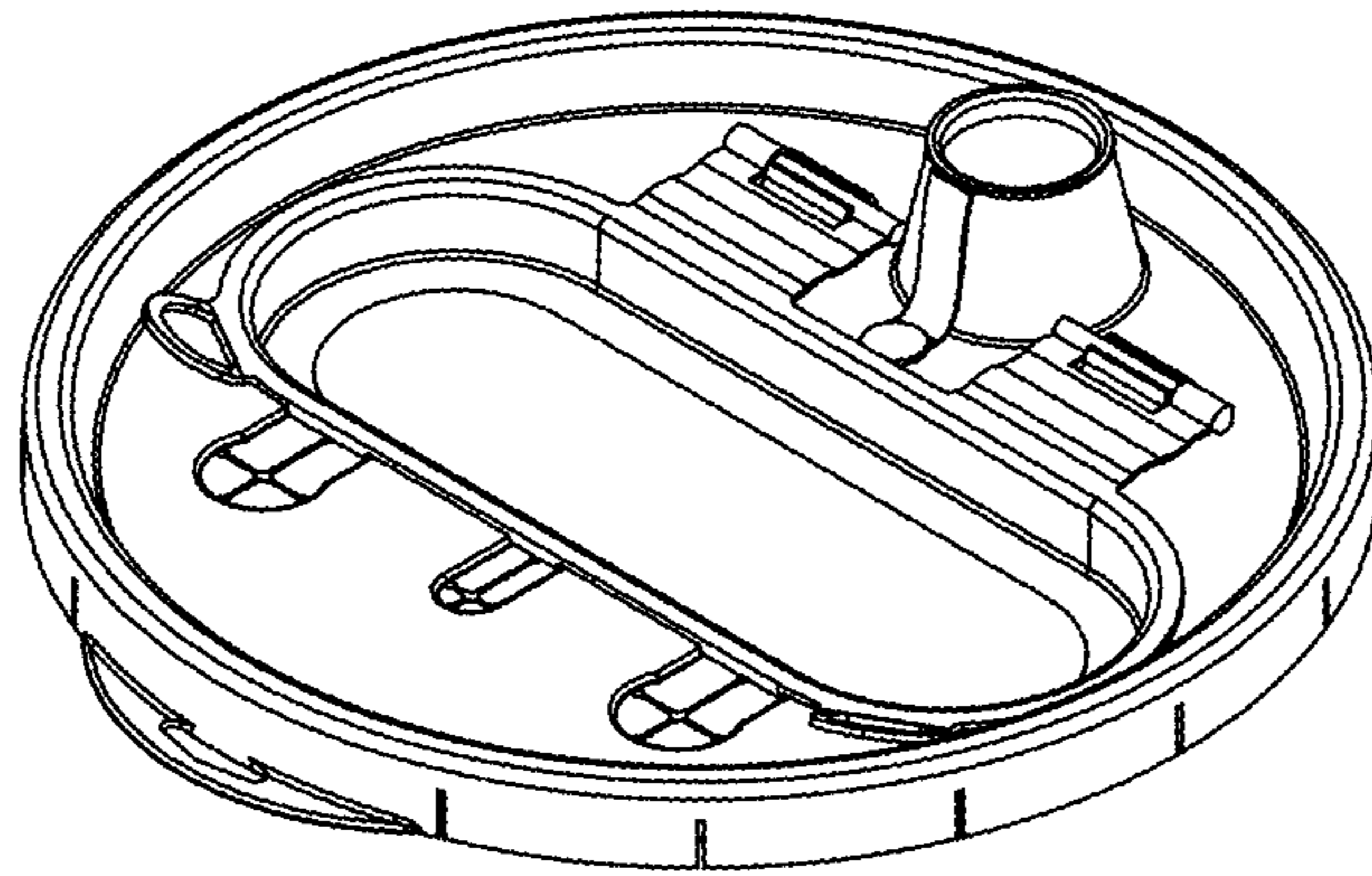


FIG. 3

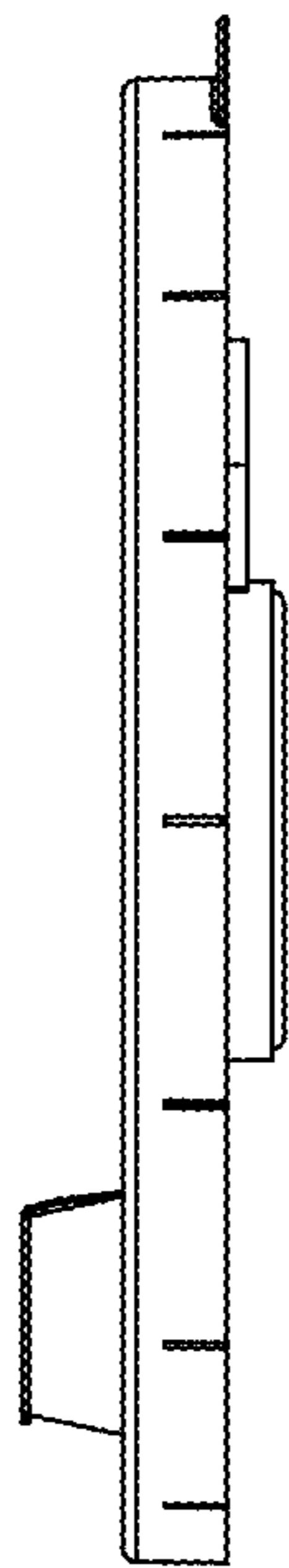


FIG. 4

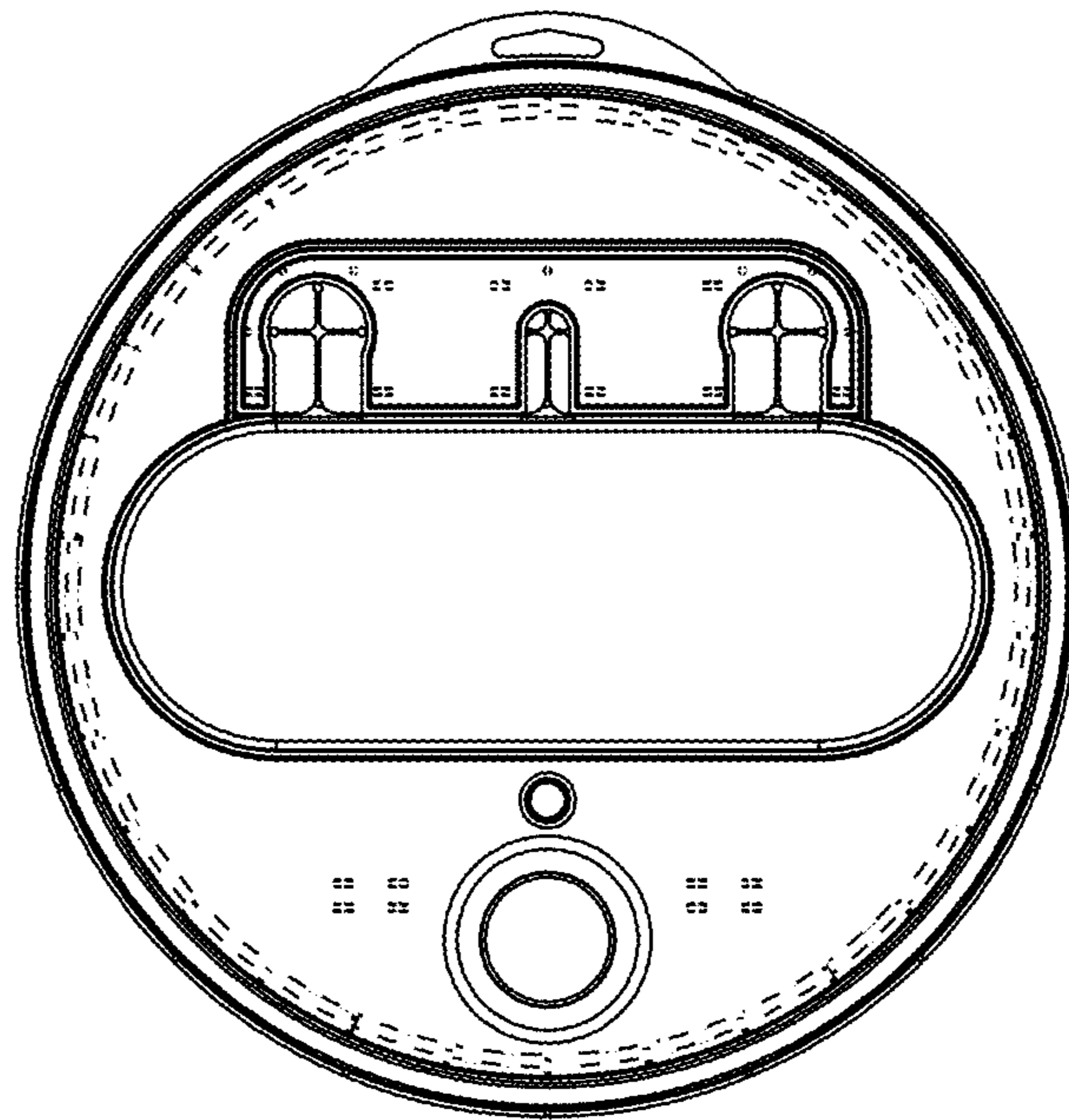


FIG. 5