

US00D864717S

(12) **United States Design Patent**
Kim

(10) **Patent No.:** **US D864,717 S**
(45) **Date of Patent:** **** Oct. 29, 2019**

(54) **WATER BOTTLE CARRIER**
(71) Applicant: **Eun Bae Kim**, Anseong (KR)
(72) Inventor: **Eun Bae Kim**, Anseong (KR)
(**) Term: **15 Years**
(21) Appl. No.: **29/634,286**
(22) Filed: **Jan. 19, 2018**
(30) **Foreign Application Priority Data**
Jul. 24, 2017 (KR) 30-2017-0034069

(51) **LOC (12) Cl.** **09-06**
(52) **U.S. Cl.**
USPC **D9/446; D9/436; D9/443; D9/455;**
D3/318

(58) **Field of Classification Search**
USPC D9/414, 416, 425, 434, 435, 436, 438,
D9/439, 440, 442, 443, 446-450,
D9/452-457, 499, 503-505, 682, 685,
D9/686; D7/387, 391, 392, 392.1, 393,
D7/394, 396.1-396.4, 401.1, 503-505,
D7/509-511, 538, 900; D3/201, 202,
D3/203.2, 318; D28/91, 91.1
CPC .. A61J 1/00; A61J 1/1412; B65D 1/00; B65D
1/02; B65D 1/10; B65D 1/46; B65D
2585/56; B65D 2585/545; B65D 41/00;
B65D 41/38; B65D 41/56; B65D 41/62;
B65D 47/00; B65D 47/06; B65D 47/08;
B65D 2543/00046; B65D 2543/00092;
B65D 2543/00296; B65D 5/46; B65D
2251/00

See application file for complete search history.

(56) **References Cited**
U.S. PATENT DOCUMENTS
2,814,405 A * 11/1957 Edwards B65D 45/322
215/253
3,598,272 A * 8/1971 Bustamante B65D 41/42
215/255

3,750,820 A * 8/1973 Labarre B65D 41/325
215/253
3,832,738 A * 9/1974 Kliemann A61B 10/007
220/375
3,931,904 A * 1/1976 Coop B65D 41/42
215/254
3,976,215 A * 8/1976 Smalley B65D 41/44
215/253
4,002,260 A * 1/1977 Coop B65D 41/12
215/305
4,073,399 A * 2/1978 Lewis B21D 51/383
215/253
D281,584 S * 12/1985 Berglund D9/438
D308,828 S * 6/1990 Magnusson D9/438
D396,749 S * 8/1998 Ortiz D3/284

(Continued)

Primary Examiner — Michael A. Pratt
Assistant Examiner — Wendy L Arminio
(74) *Attorney, Agent, or Firm* — Brown & Michaels, PC

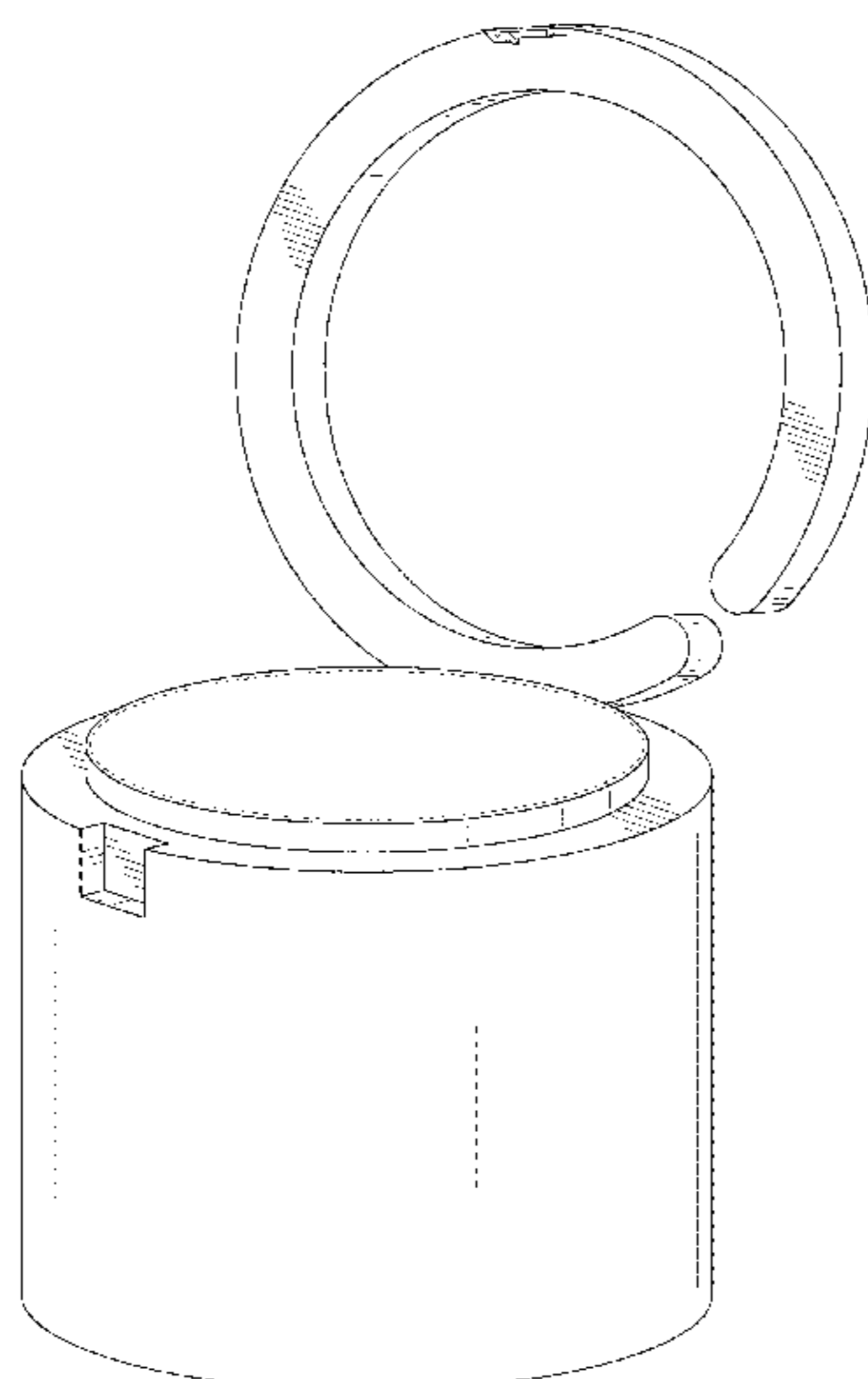
(57) **CLAIM**

The ornamental design for a water bottle carrier, as shown and described.

DESCRIPTION

FIG. 1 is a perspective view of the water bottle carrier of the present invention.
FIG. 2 is a front view of the water bottle carrier.
FIG. 3 is a back view of the water bottle carrier.
FIG. 4 is a side view of the water bottle carrier.
FIG. 5 is a side view of the water bottle carrier, showing the opposite side from FIG. 4.
FIG. 6 is a top view of the water bottle carrier; and,
FIG. 7 is a bottom view of the water bottle carrier.
The broken lines and the spaces contained within the broken lines depict portions of the water bottle carrier that form no part of the claimed design. The solid lines form the boundaries of the claim.

1 Claim, 7 Drawing Sheets



(56)

References Cited

U.S. PATENT DOCUMENTS

D530,603 S * 10/2006 Lohrman D9/438
8,272,545 B1 * 9/2012 Saffran A45F 5/00
224/148.4
D697,400 S * 1/2014 Bragalone D9/416
D699,112 S * 2/2014 Jung D28/76
D753,490 S * 4/2016 O'Donahue D9/455
D756,799 S * 5/2016 Moretti D9/503
D776,533 S * 1/2017 Kikel D9/446
D779,945 S * 2/2017 Tulencik D3/318
D786,679 S * 5/2017 Barroso Miana D9/504
2011/0147396 A1 * 6/2011 Kim B65D 23/003
220/751
2016/0023812 A1 * 1/2016 Kikel B65D 41/02
235/492
2018/0134464 A1 * 5/2018 Battaglia A47G 23/0266

* cited by examiner

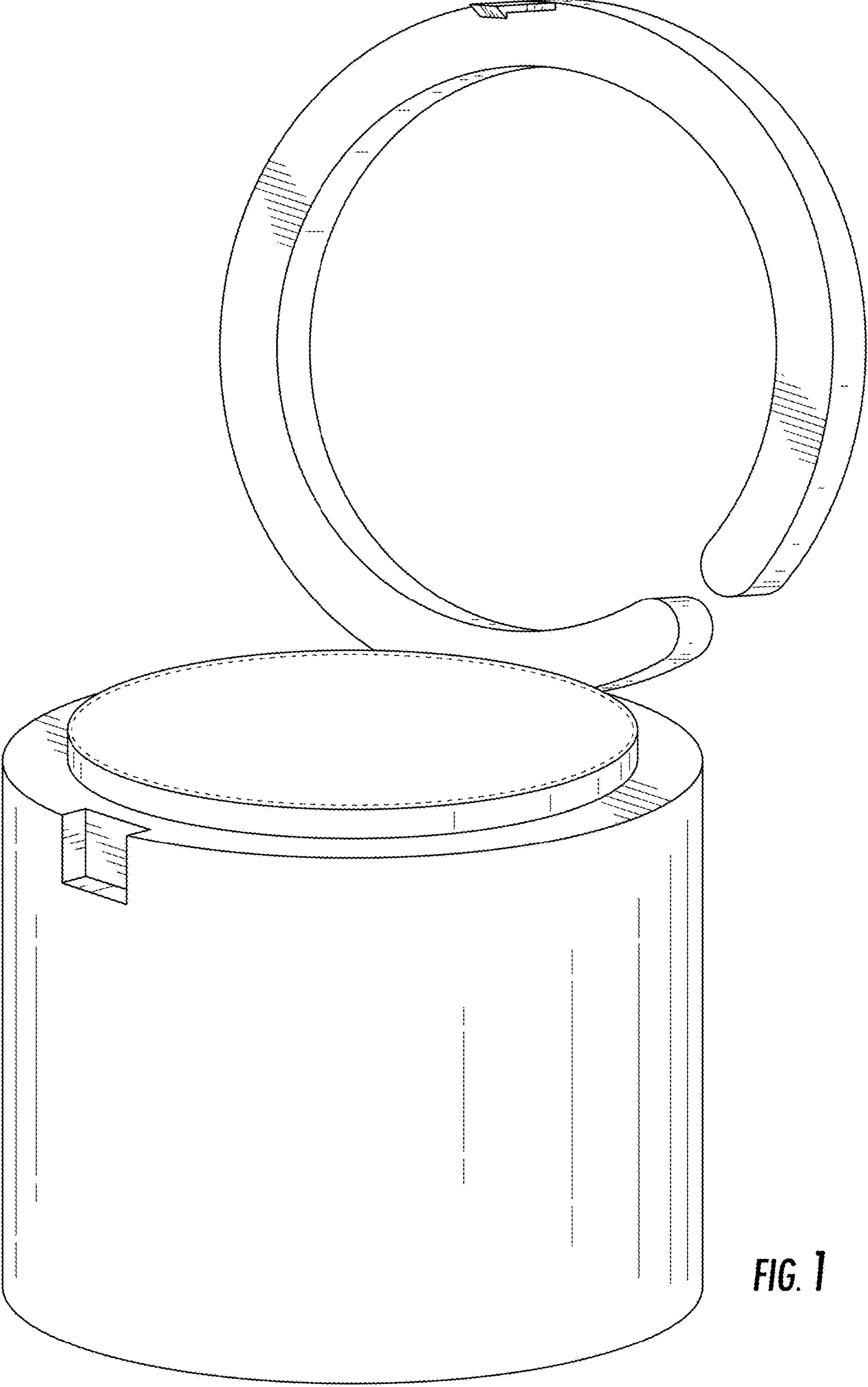


FIG. 1

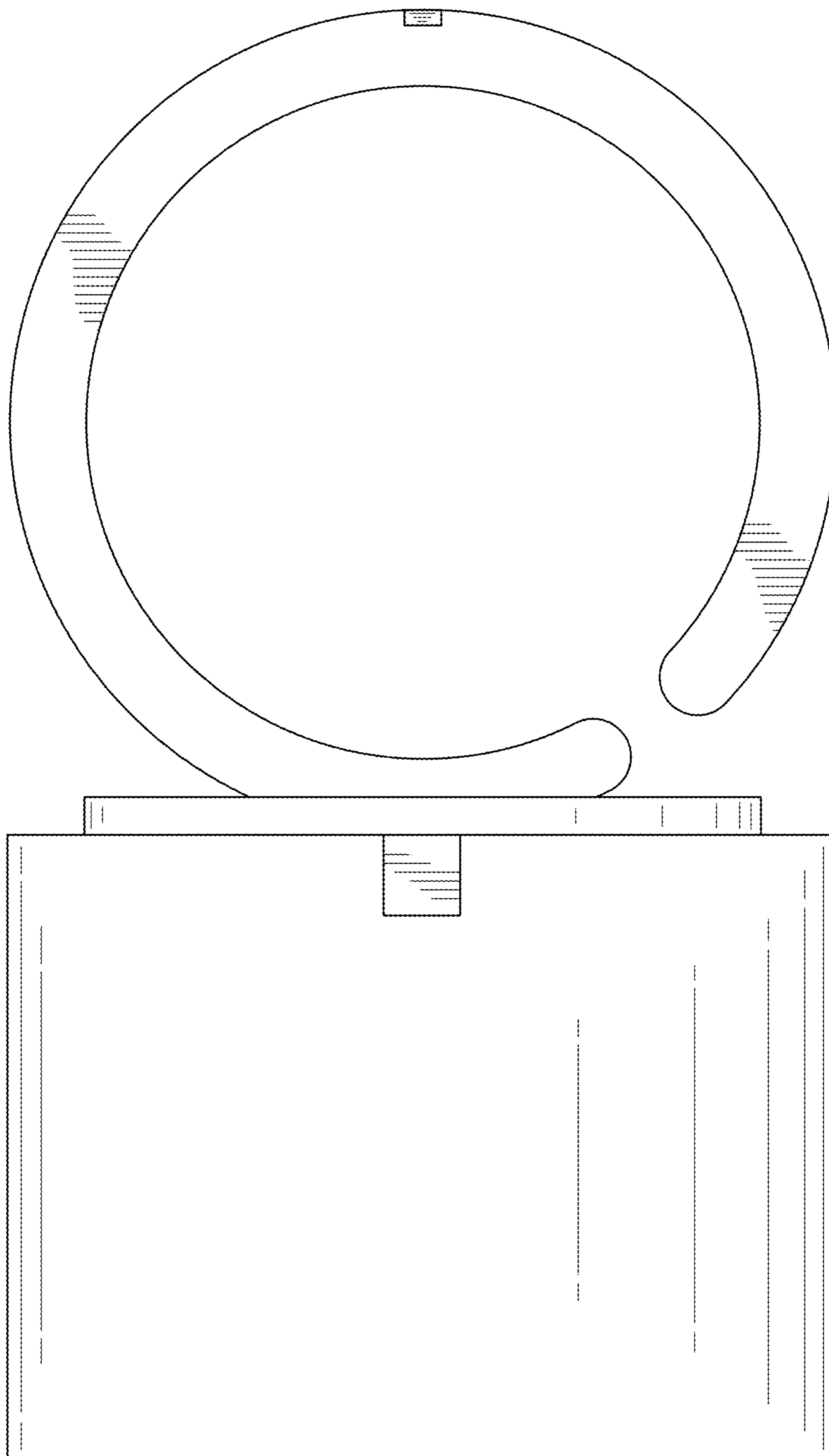


FIG. 2

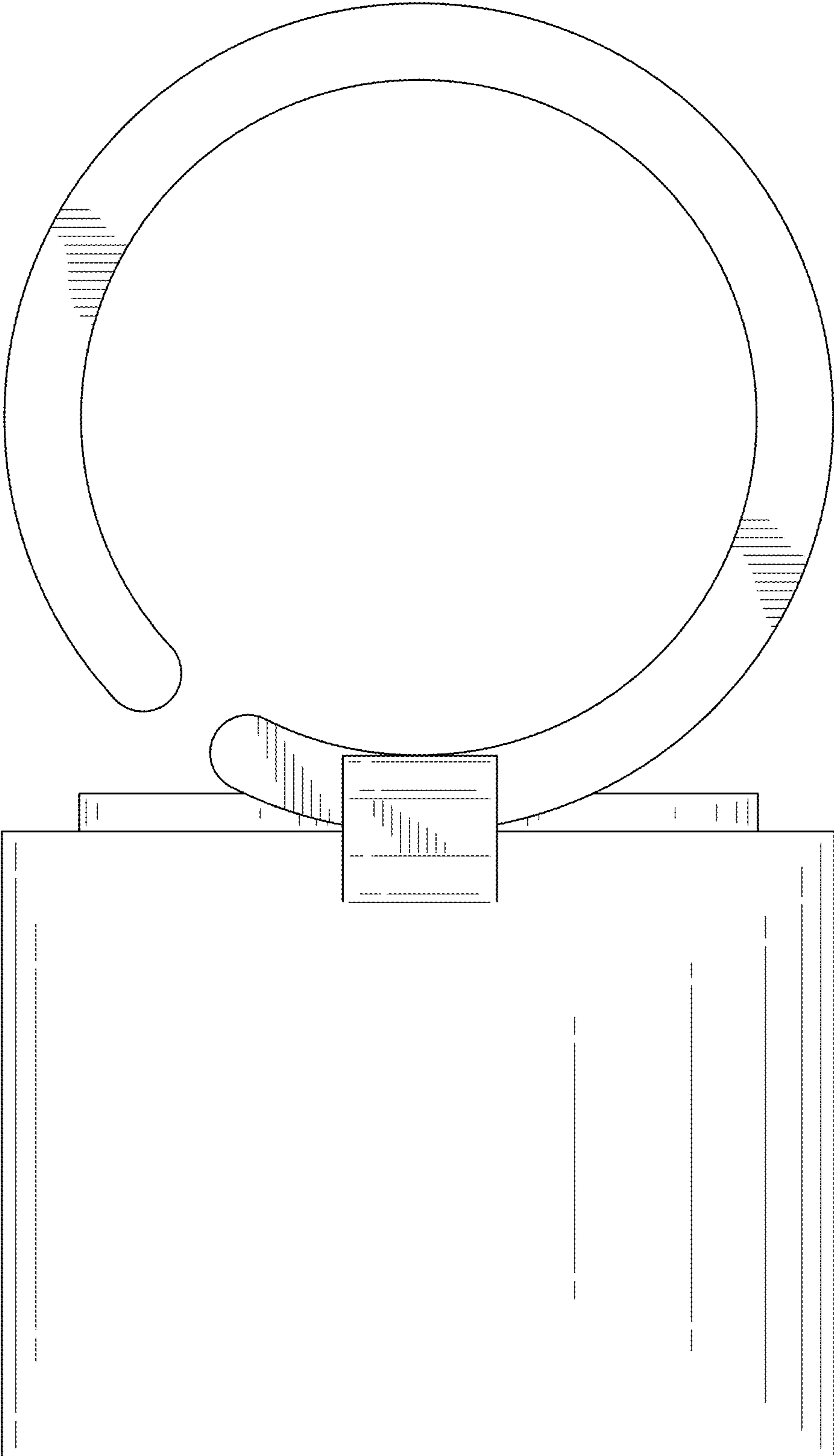


FIG. 3

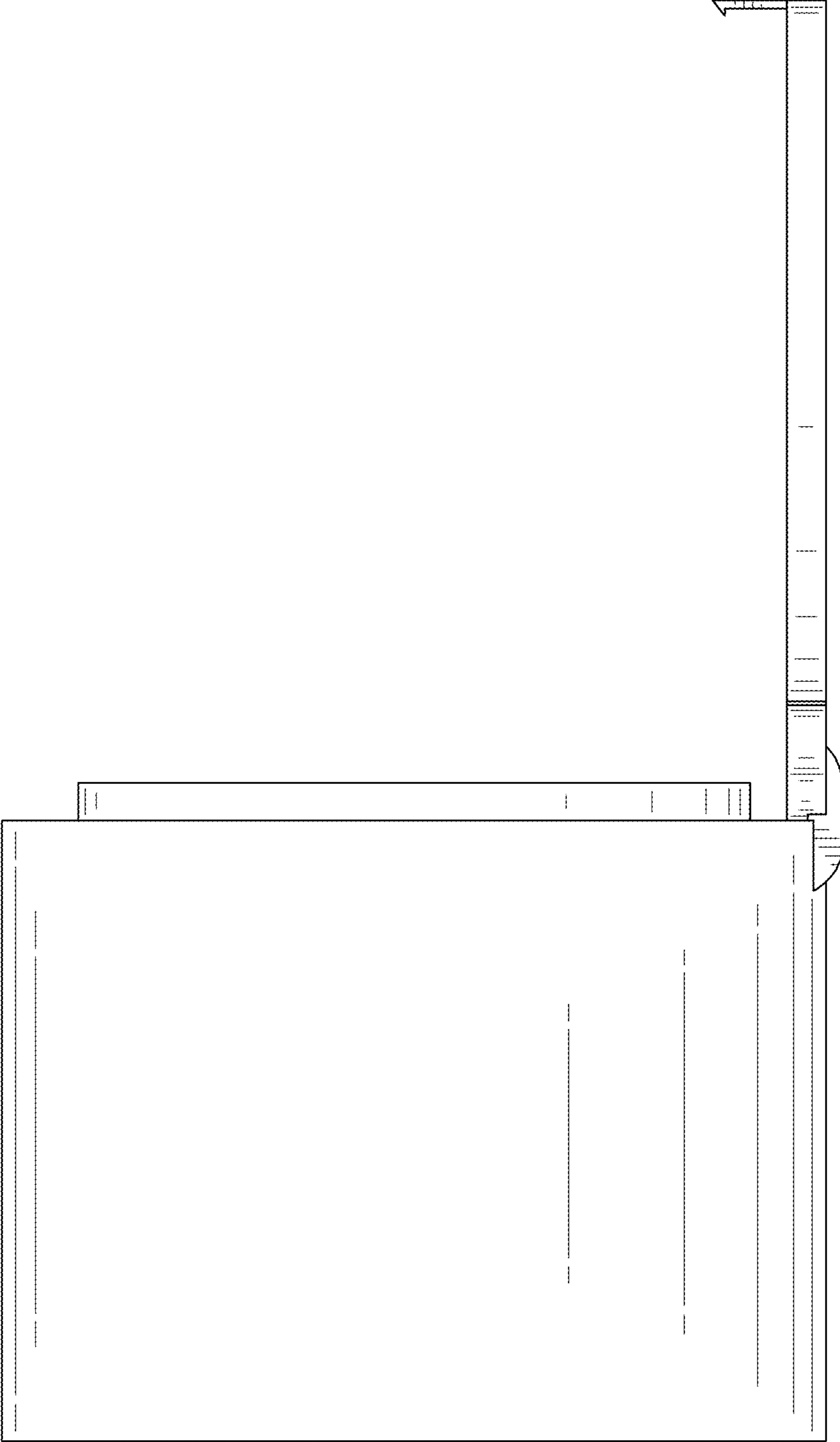


FIG. 4

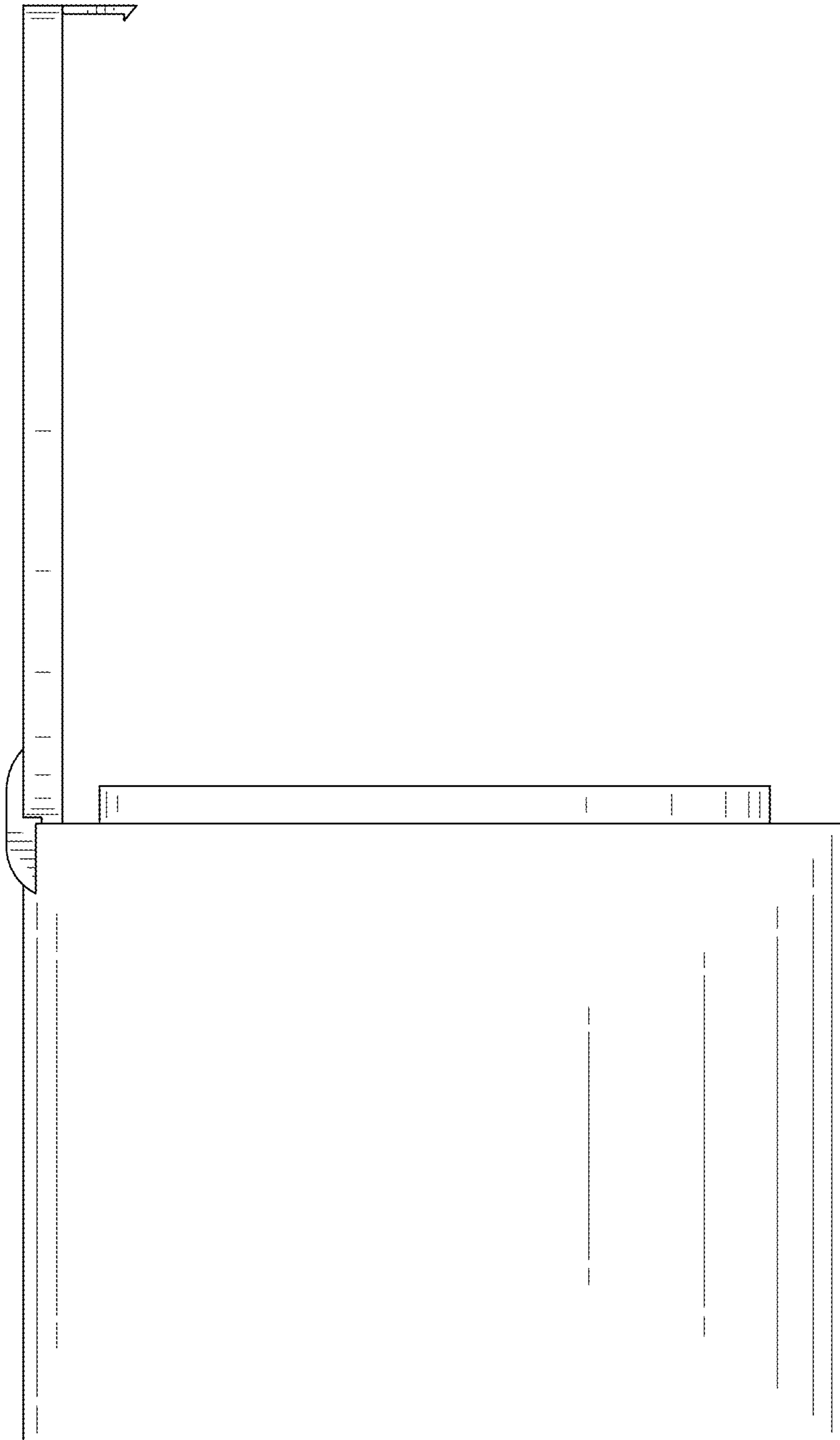


FIG. 5

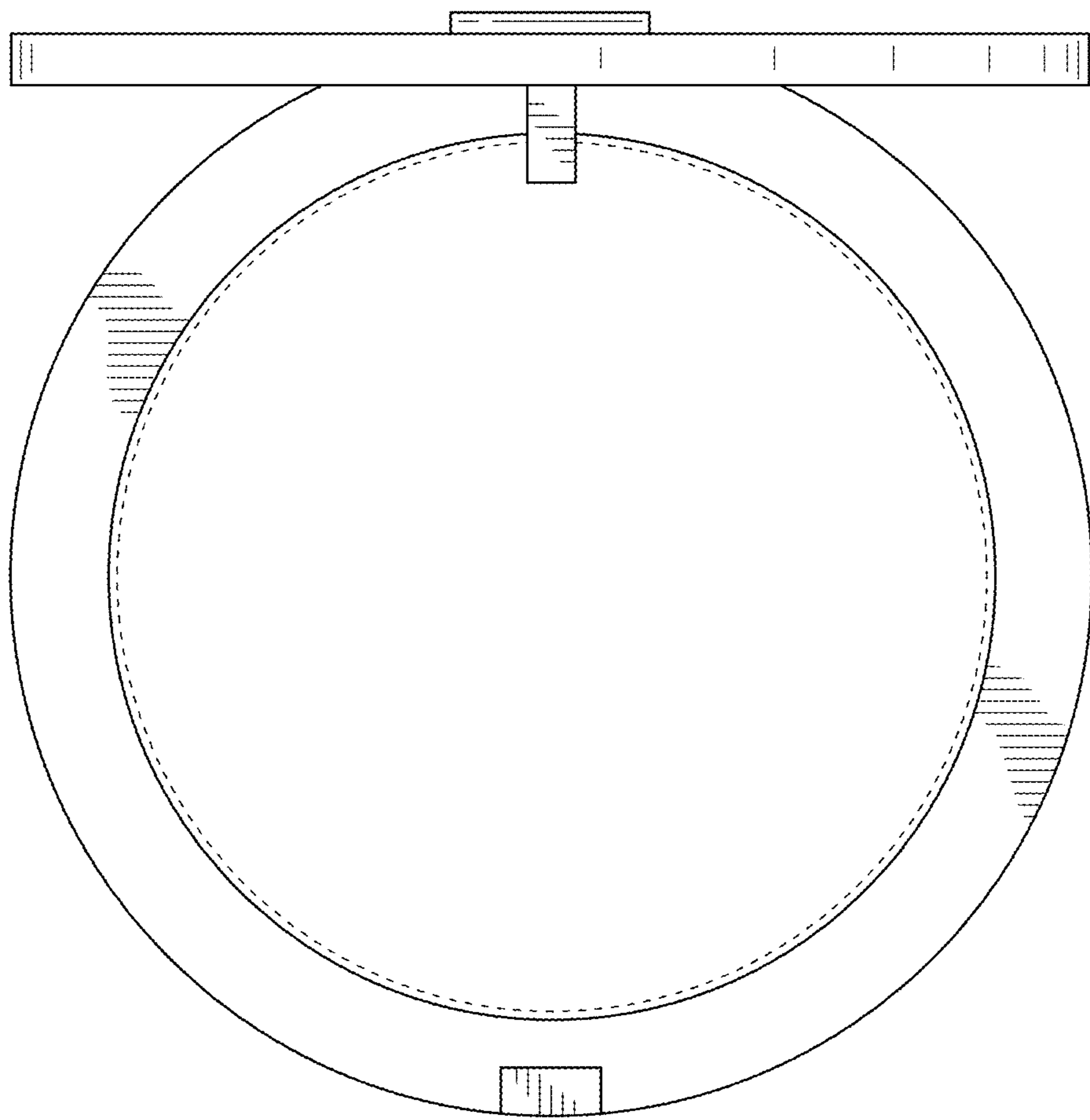


FIG. 6

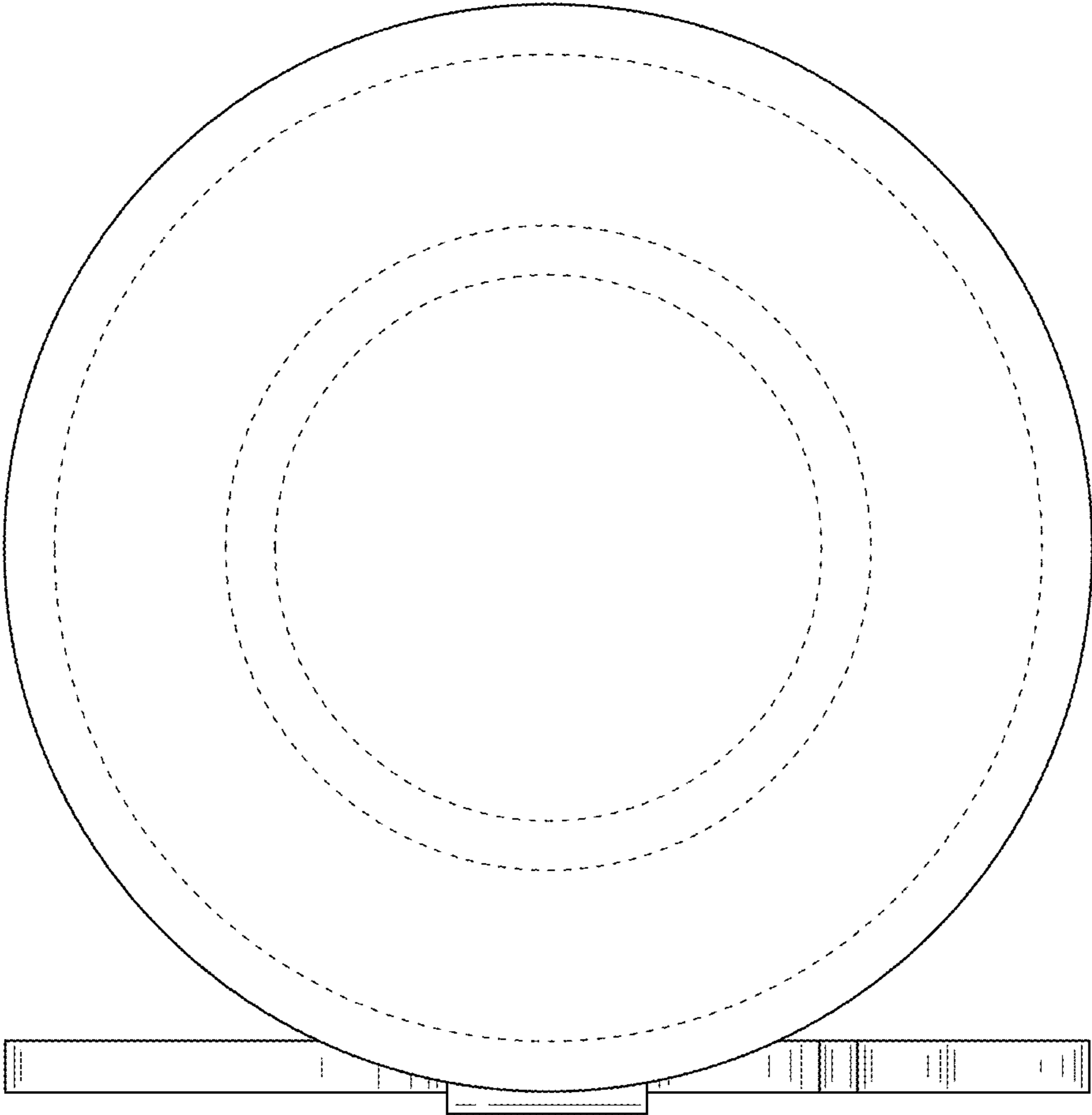


FIG. 7