



US00D864716S

(12) **United States Design Patent** (10) **Patent No.:** **US D864,716 S**  
**Laroque** (45) **Date of Patent:** **\*\* Oct. 29, 2019**

(54) **CAP**  
(71) Applicant: **Hyperkinetics Corporation**,  
Williamstown, VT (US)  
(72) Inventor: **Mark Laroque**, Randolph Center, VT  
(US)  
(73) Assignee: **Hyperkinetics Corporation**,  
Williamstown, VT (US)  
(\*\*) Term: **15 Years**  
(21) Appl. No.: **29/624,176**  
(22) Filed: **Oct. 30, 2017**  
(51) **LOC (12) Cl.** ..... **09-06**  
(52) **U.S. Cl.**  
USPC ..... **D9/446**  
(58) **Field of Classification Search**  
USPC ..... D3/20, 202, 203.2, 203, 207, 208, 215,  
D3/220, 226, 232, 233, 244, 303, 306,  
D3/318; D6/344, 347, 513, 542;  
D7/387, 388, 306.1, 396.2, 401.1, 602,  
D7/619.1, 681, 704; D9/337, 434, 435,  
D9/436, 443, 444, 445, 446, 455, 499,  
D9/516, 517, 529, 530, 542, 543, 552,  
D9/565, 574, 575, 682, 686, 687, 693,  
D9/694, 702, 703, 704, 706; D21/455,  
D21/465, 466, 467, 662; D30/153;  
D24/197, 199; D23/249, 259, 260  
CPC .... B65D 43/02; B65D 25/10; B65D 25/2805;  
B65D 47/06; B65D 47/08; B65D  
47/0866; B65D 23/00; B65D 23/001;  
B65D 23/003; B65D 43/161; B65D  
25/04; B65D 2101/0053; B65D 2101/023;  
B65D 41/32; B65D 55/06; A47G 19/00;  
A47G 19/22; A47G 19/2205; A47G  
19/2272; A47G 7/00; A47G 7/04; A47G  
2019/122; A47J 41/02; A61M 5/14;  
A61M 5/1414; A61M 5/1417;  
(Continued)

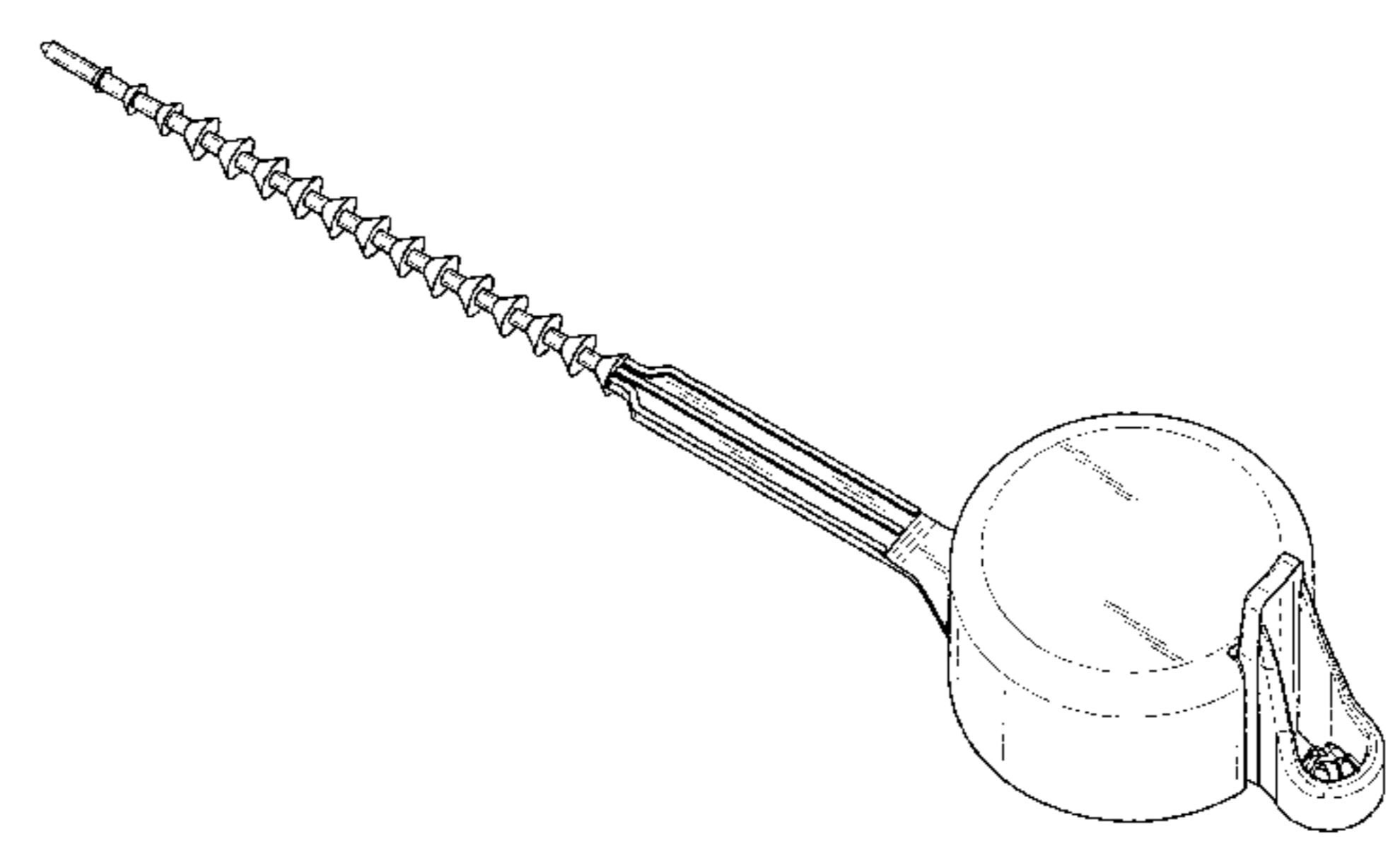
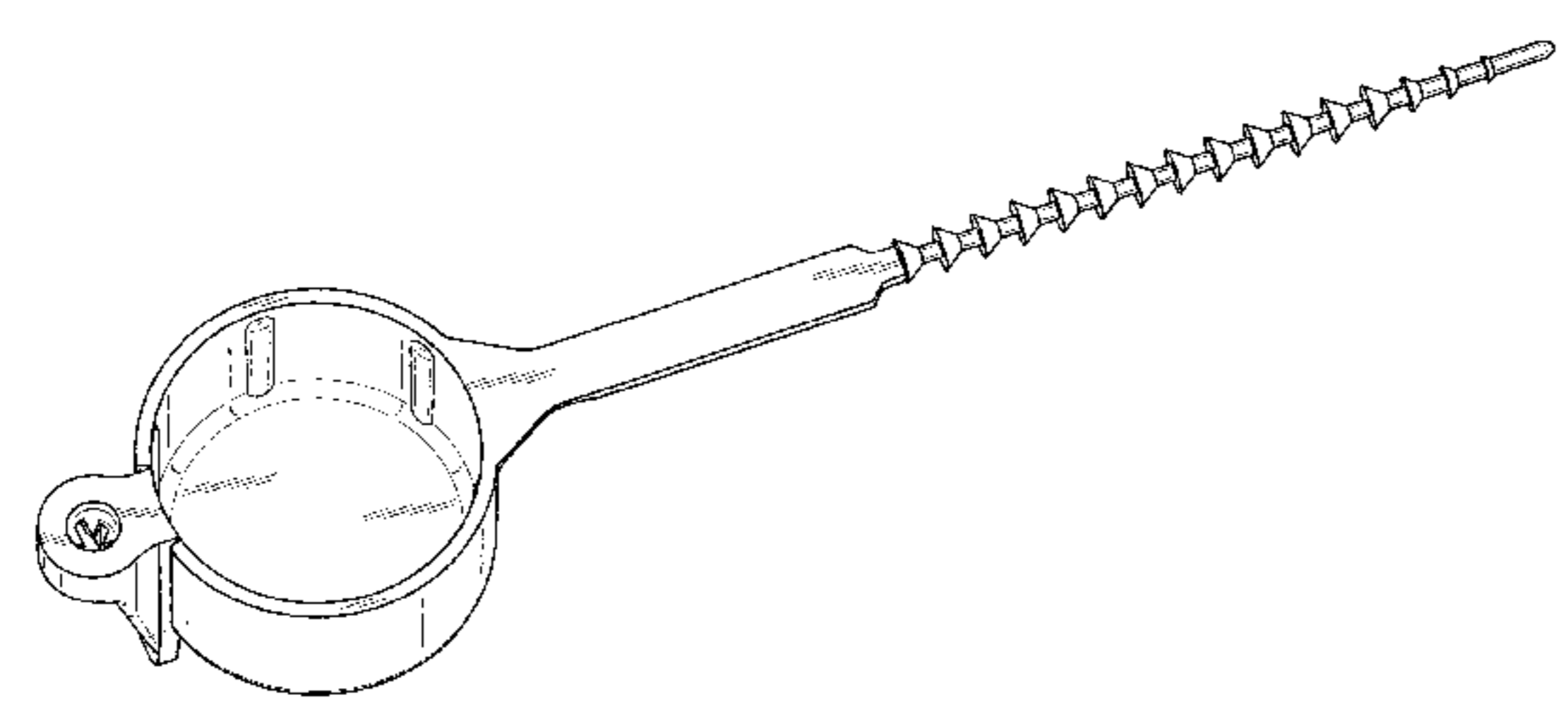
(56) **References Cited**  
U.S. PATENT DOCUMENTS  
370,004 A \* 9/1887 Bruner ..... A47K 5/13  
222/166  
730,218 A \* 6/1903 Anderson ..... B65D 23/108  
294/31.2  
(Continued)  
FOREIGN PATENT DOCUMENTS  
FR 333255 A \* 11/1903 ..... A45F 5/00  
FR 2858927 A1 \* 2/2005 ..... A45F 5/00  
(Continued)

**OTHER PUBLICATIONS**  
Hyperkinetic Valve Caps: Announced Jun. 20, 2016 [online]. Site  
visited [Oct. 29, 2018]. Available from Internet URL: <http://www.hyperkinetics.org/Beverage-Products.html>.  
*Primary Examiner* — Jennifer Rivard  
*Assistant Examiner* — Catherine S Posthauer  
(74) *Attorney, Agent, or Firm* — Stites & Harbison  
PLLC; Sean P. Ritchie

(57) **CLAIM**  
The ornamental design for a cap, as shown and described.

**DESCRIPTION**  
FIG. 1 is a top and front perspective view of a cap, showing  
my new design.  
FIG. 2 is a top and back perspective view thereof.  
FIG. 3 is a bottom and front perspective view thereof.  
FIG. 4 is a bottom and back perspective view thereof.  
FIG. 5 is a left side view thereof.  
FIG. 6 is a top view thereof.  
FIG. 7 is a bottom view thereof.  
FIG. 8 is a right side view thereof.  
FIG. 9 is a front view thereof; and,  
FIG. 10 is a back view thereof.

**1 Claim, 5 Drawing Sheets**



(58) **Field of Classification Search**

CPC ..... Y10S 215/03; A61J 1/16; A61J 9/0638;  
 A61J 9/0669; A47K 5/13; A45F  
 2005/008; A45F 5/10; A45F 5/00; A45F  
 2200/0583; B67D 3/0032; B67D 3/0061;  
 G01F 11/262; F17C 13/06; F17C  
 2205/0311

See application file for complete search history.

(56) **References Cited**

U.S. PATENT DOCUMENTS

2,970,729 A \* 2/1961 Allen ..... A47J 47/16  
 24/17 AP  
 D354,158 S \* 1/1995 Trudeau ..... D30/153  
 5,573,152 A \* 11/1996 Arnold ..... B65D 23/003  
 215/399  
 D396,077 S \* 7/1998 Heine ..... D21/662  
 D438,626 S \* 3/2001 Broussard ..... D24/199  
 D458,970 S \* 6/2002 McCarthy ..... D20/22  
 6,854,616 B2 \* 2/2005 Steffan ..... B65D 59/06  
 215/254  
 D512,910 S \* 12/2005 Haslam ..... D9/434  
 7,152,760 B1 \* 12/2006 Peabody ..... B65D 41/48  
 222/153.07  
 D580,266 S \* 11/2008 Hecht ..... D9/455  
 D592,059 S \* 5/2009 Hecht ..... D9/455  
 D594,605 S \* 6/2009 DeLuco ..... D30/153

D664,612 S \* 7/2012 Pinskiy ..... D21/662  
 D675,446 S \* 2/2013 Cohee ..... D3/318  
 D699,405 S \* 2/2014 McKinnell ..... D30/152  
 D701,966 S \* 4/2014 Owada ..... D24/199  
 D703,040 S \* 4/2014 White ..... D9/434  
 D722,726 S \* 2/2015 Reukema ..... D29/101.1  
 D732,675 S \* 6/2015 Granillo ..... D24/194  
 D738,726 S \* 9/2015 Peluso ..... D3/318  
 D739,500 S \* 9/2015 Buermann ..... D23/249  
 D745,743 S \* 12/2015 Reukema ..... D29/101.1  
 D746,133 S \* 12/2015 Lehman ..... D9/443  
 D747,198 S \* 1/2016 Biswas ..... D9/434  
 D780,580 S \* 3/2017 Tulencik ..... D3/318  
 D831,487 S \* 10/2018 Schlatter ..... D9/455  
 2001/0029214 A1 \* 10/2001 Fondin ..... A45F 5/00  
 473/514  
 2008/0061091 A1 \* 3/2008 Mailliard ..... A45F 5/02  
 224/148.6  
 2008/0232927 A1 \* 9/2008 Trimble ..... F16B 37/14  
 411/429  
 2014/0166610 A1 \* 6/2014 Paterson ..... B65D 23/001  
 215/399

FOREIGN PATENT DOCUMENTS

FR 2965706 A1 \* 4/2012 ..... A44C 15/003  
 JP 2004105420 A \* 4/2004 ..... A45F 5/00  
 WO WO-2015030936 A1 \* 3/2015 ..... A45F 5/00

\* cited by examiner

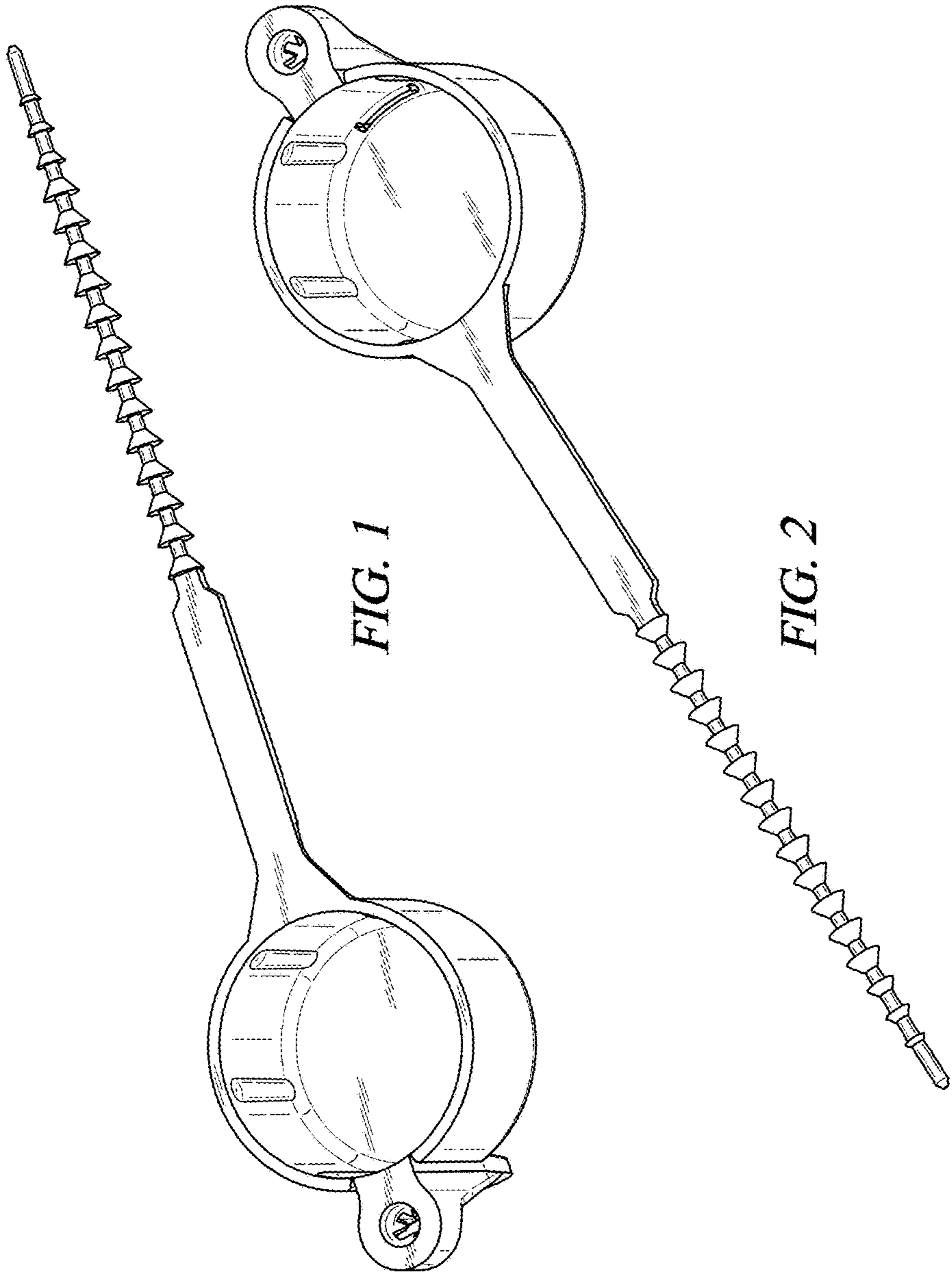


FIG. 1

FIG. 2

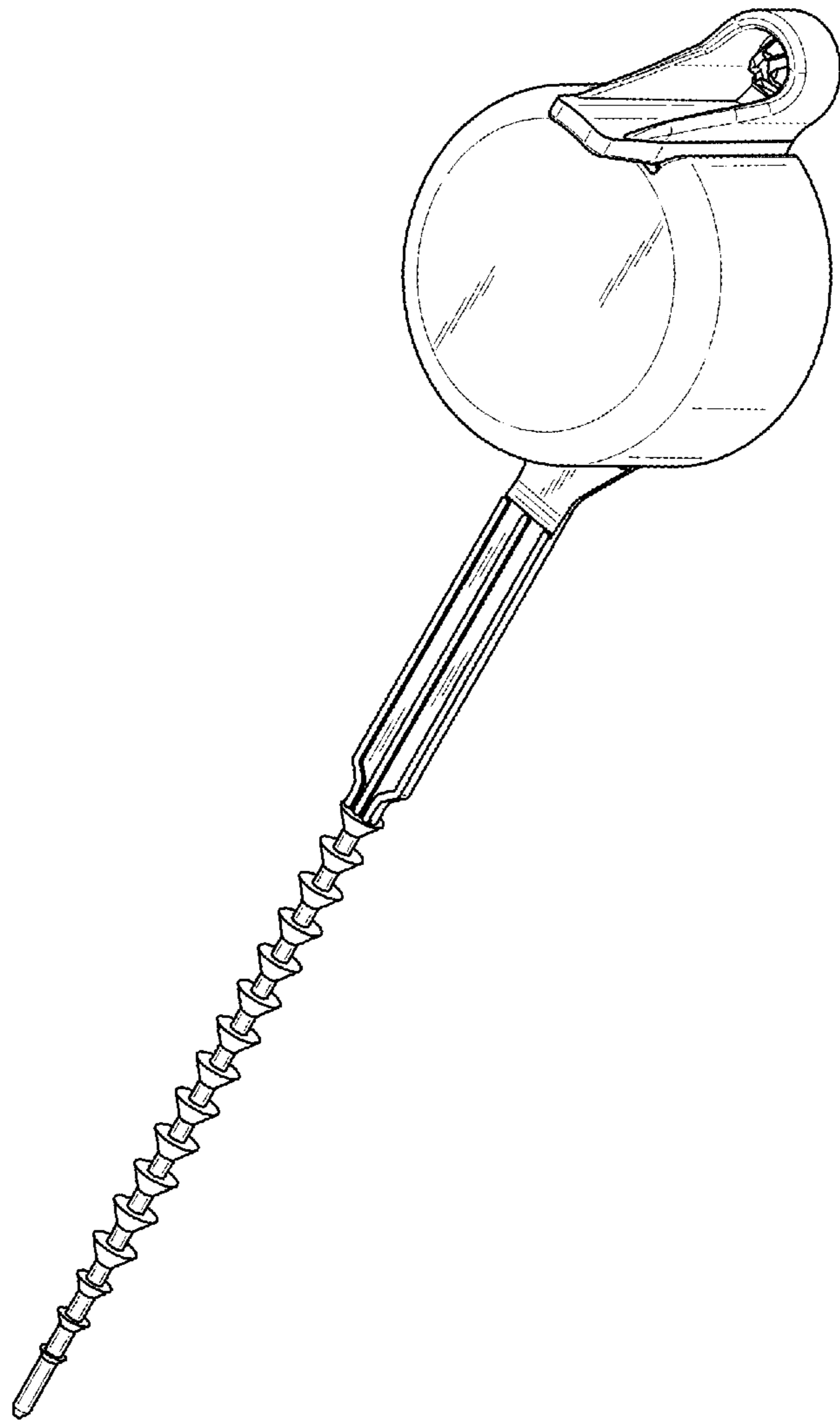


FIG. 3

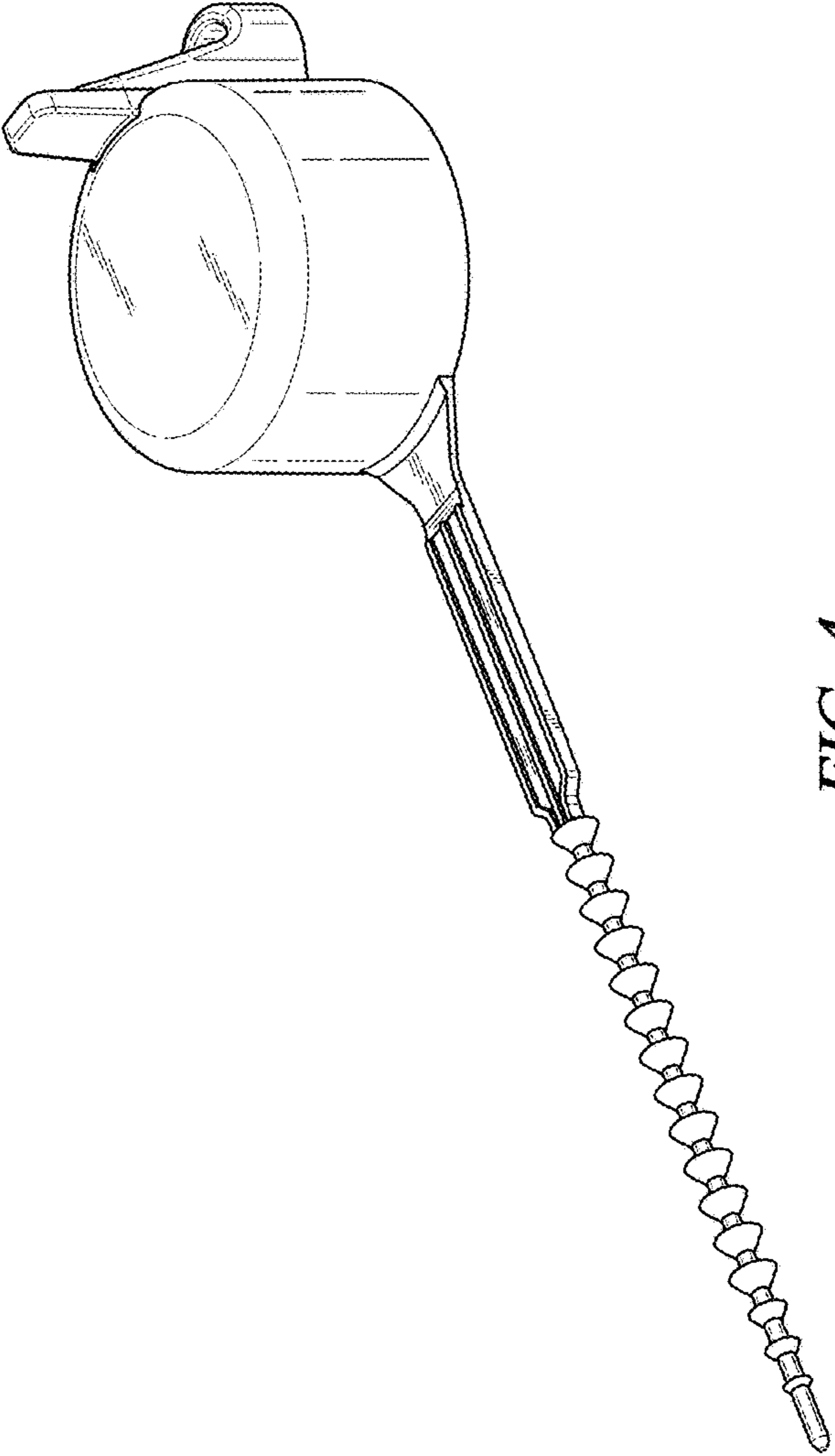


FIG. 4



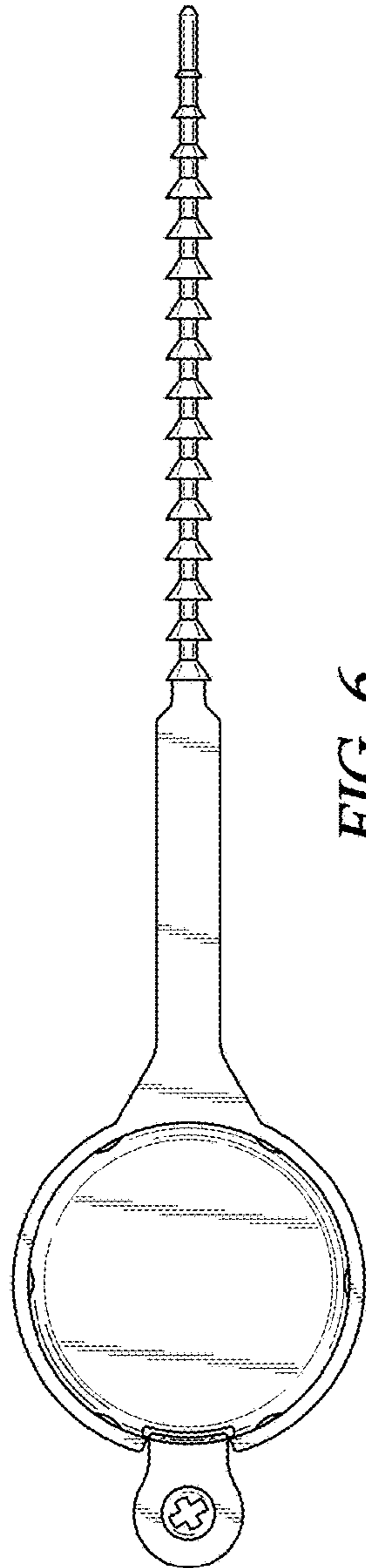


FIG. 6

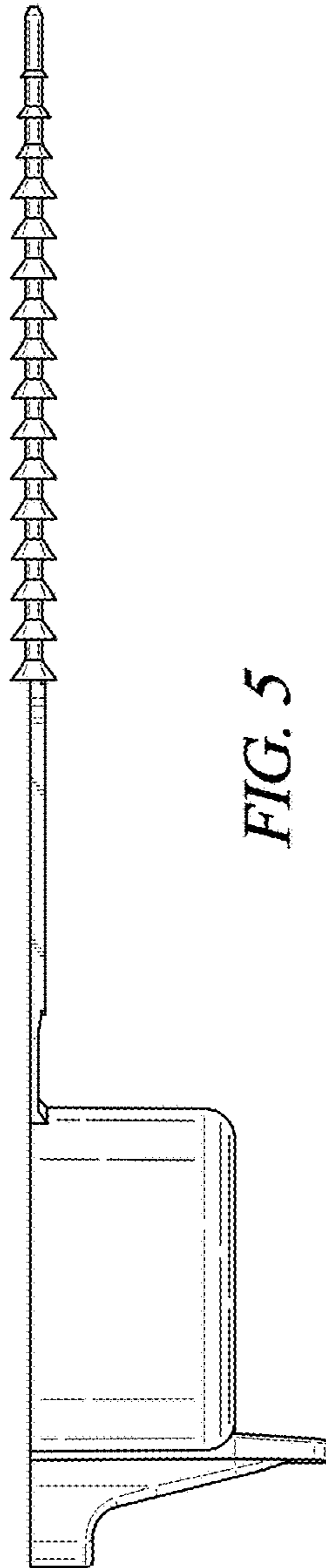


FIG. 5

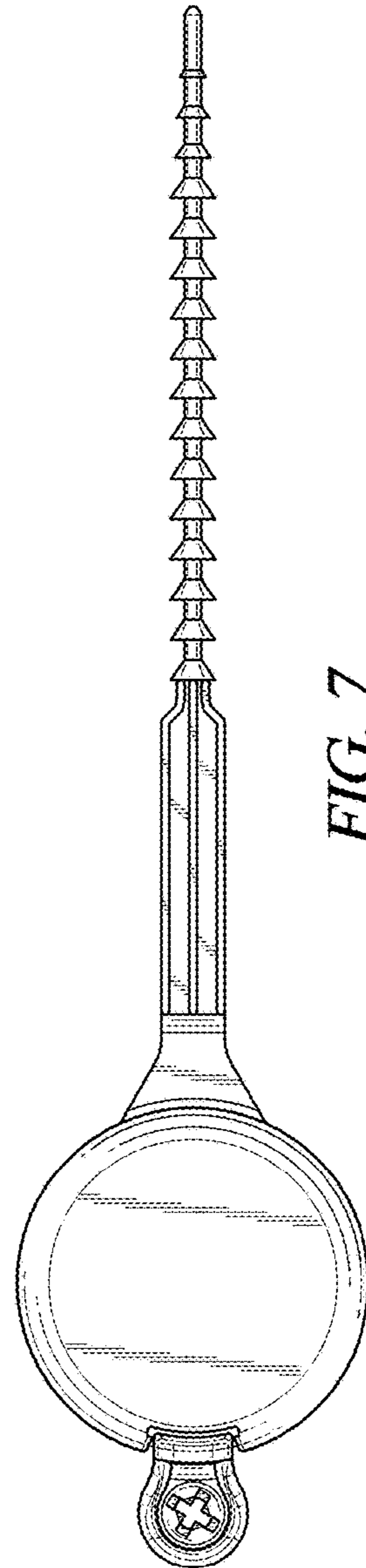


FIG. 7

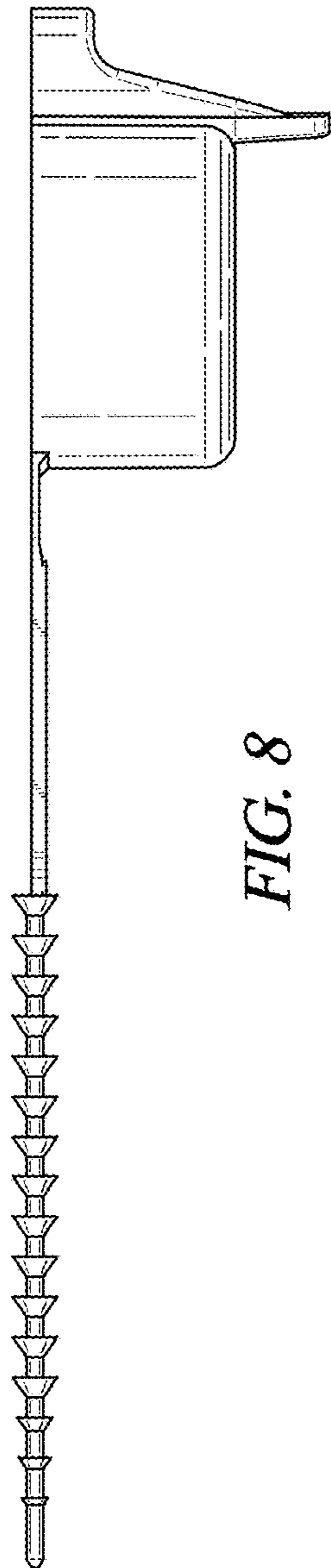


FIG. 8

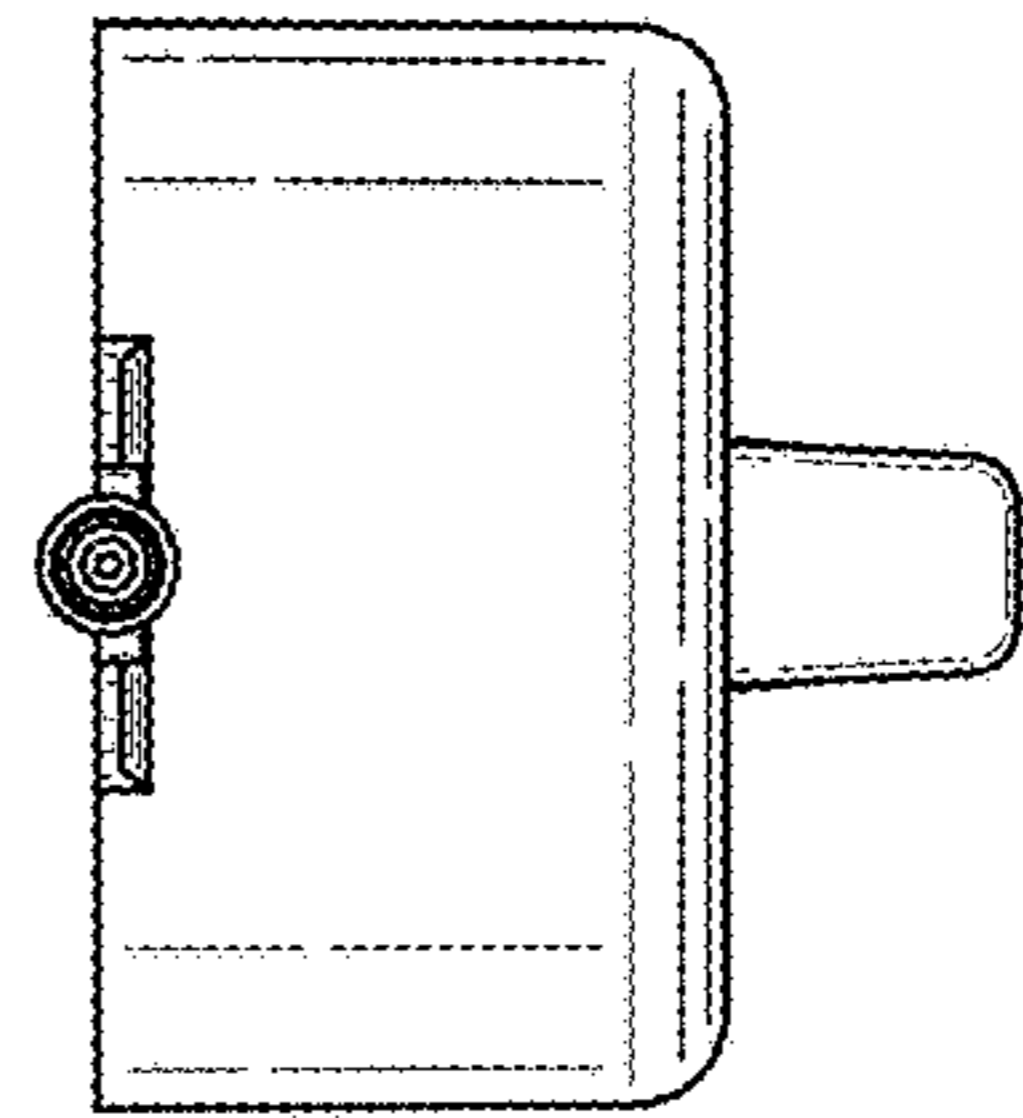


FIG. 10

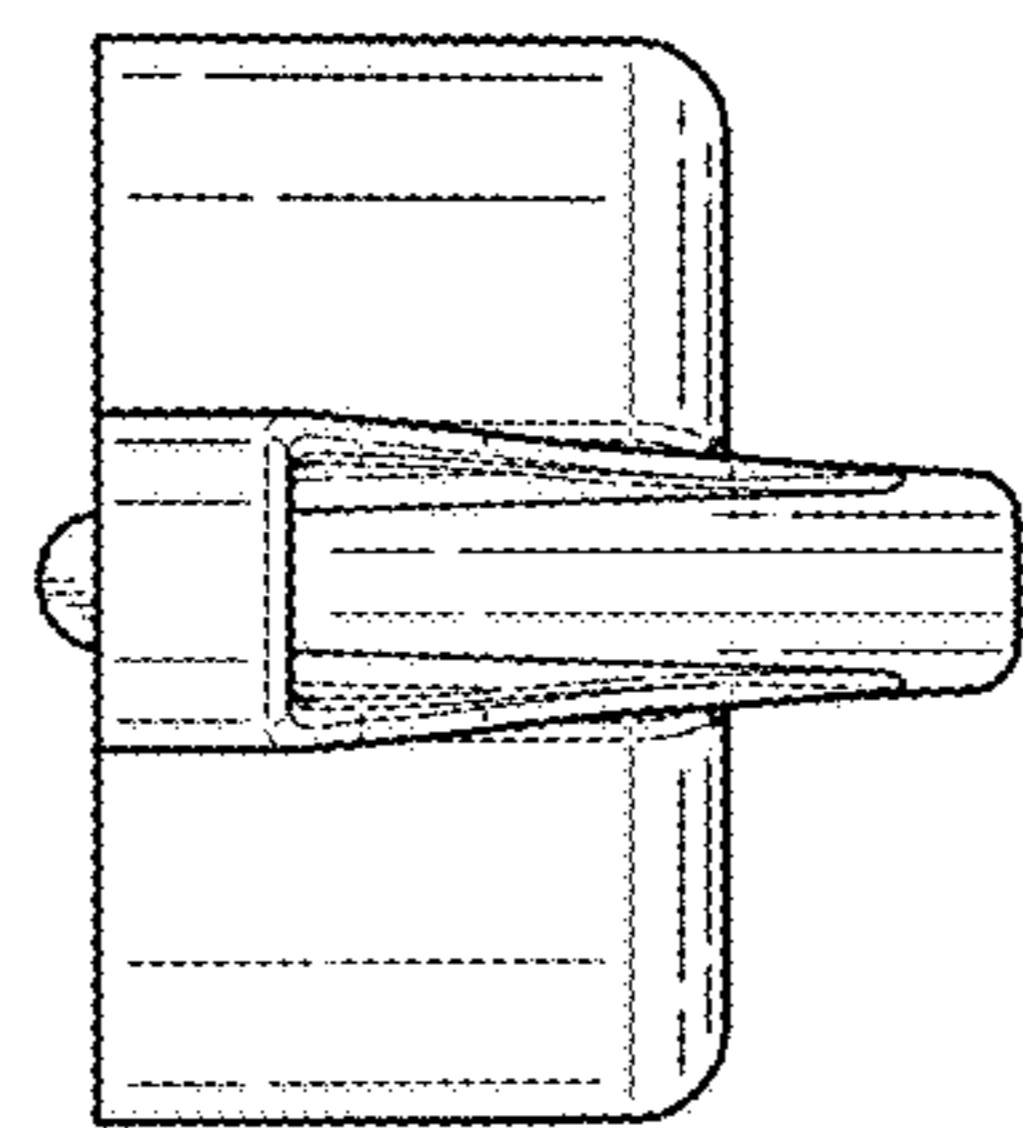


FIG. 9

UNITED STATES PATENT AND TRADEMARK OFFICE  
**CERTIFICATE OF CORRECTION**

PATENT NO. : D864,716 S  
APPLICATION NO. : 29/624176  
DATED : October 29, 2019  
INVENTOR(S) : Mark LaRocque

Page 1 of 1

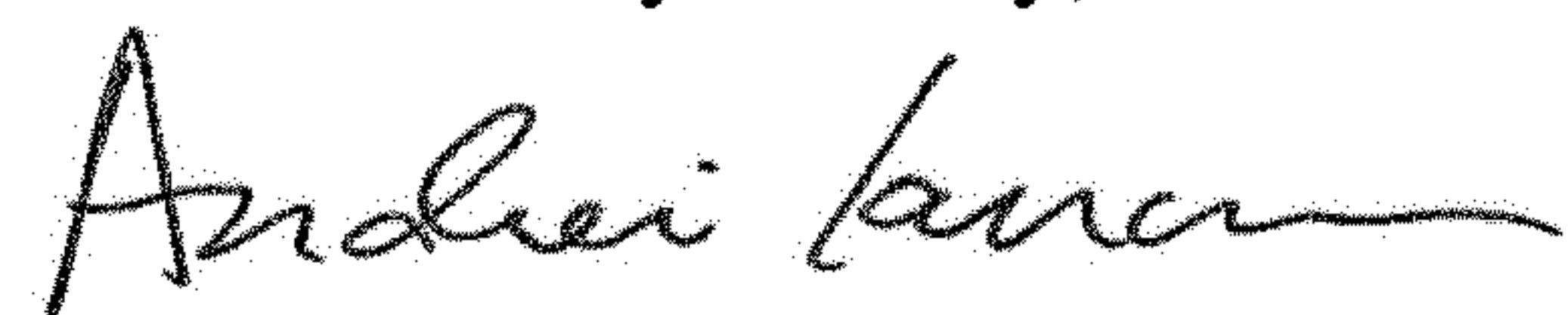
It is certified that error appears in the above-identified patent and that said Letters Patent is hereby corrected as shown below:

On the Title Page

(72), Inventors:

Delete "Mark Laroque, Randolph Center, VT (US)" and replace with "Mark LaRocque, Randolph Center, VT (US)"

Signed and Sealed this  
Fifth Day of May, 2020



Andrei Iancu  
*Director of the United States Patent and Trademark Office*