



US00D864713S

(12) **United States Design Patent**  
**Roberts**

(10) **Patent No.:** **US D864,713 S**  
(45) **Date of Patent:** **\*\* Oct. 29, 2019**

(54) **PACKAGING BOX**

(71) Applicant: **James Roberts**, St Martin (JE)

(72) Inventor: **James Roberts**, St Martin (JE)

(73) Assignee: **Flashbay Electronics Hong Kong Limited**, Hong Kong (HK)

(\*\*) Term: **15 Years**

(21) Appl. No.: **29/665,122**

(22) Filed: **Oct. 1, 2018**

(51) **LOC (12) Cl.** ..... **09-03**

(52) **U.S. Cl.**

USPC ..... **D9/432; D9/737**

(58) **Field of Classification Search**

USPC ..... D9/414, 418, 419, 420, 422, 423, 424,  
D9/425, 426, 432, 737, 751

CPC ..... B65D 25/10; B65D 69/00; B65D 25/102;  
B65D 85/00

See application file for complete search history.

(56) **References Cited**

**U.S. PATENT DOCUMENTS**

1,518,219	A *	12/1924	Peter	.....	B65D 85/18 206/756
D646,984	S *	10/2011	Moore	.....	D9/737
D686,065	S *	7/2013	Kuo	.....	D9/432
D709,364	S *	7/2014	Olsson	.....	D9/432
8,857,610	B1 *	10/2014	Gruber	.....	B65D 21/0233 206/403
D738,649	S *	9/2015	Tapper	.....	D6/672
D764,910	S *	8/2016	Akana	.....	D9/432
D774,388	S *	12/2016	Xia	.....	D9/432
D829,565	S *	10/2018	Safdie	.....	D9/737
2003/0226781	A1 *	12/2003	Liao	.....	B65D 1/36 206/525

(Continued)

*Primary Examiner* — Lauren R Calve

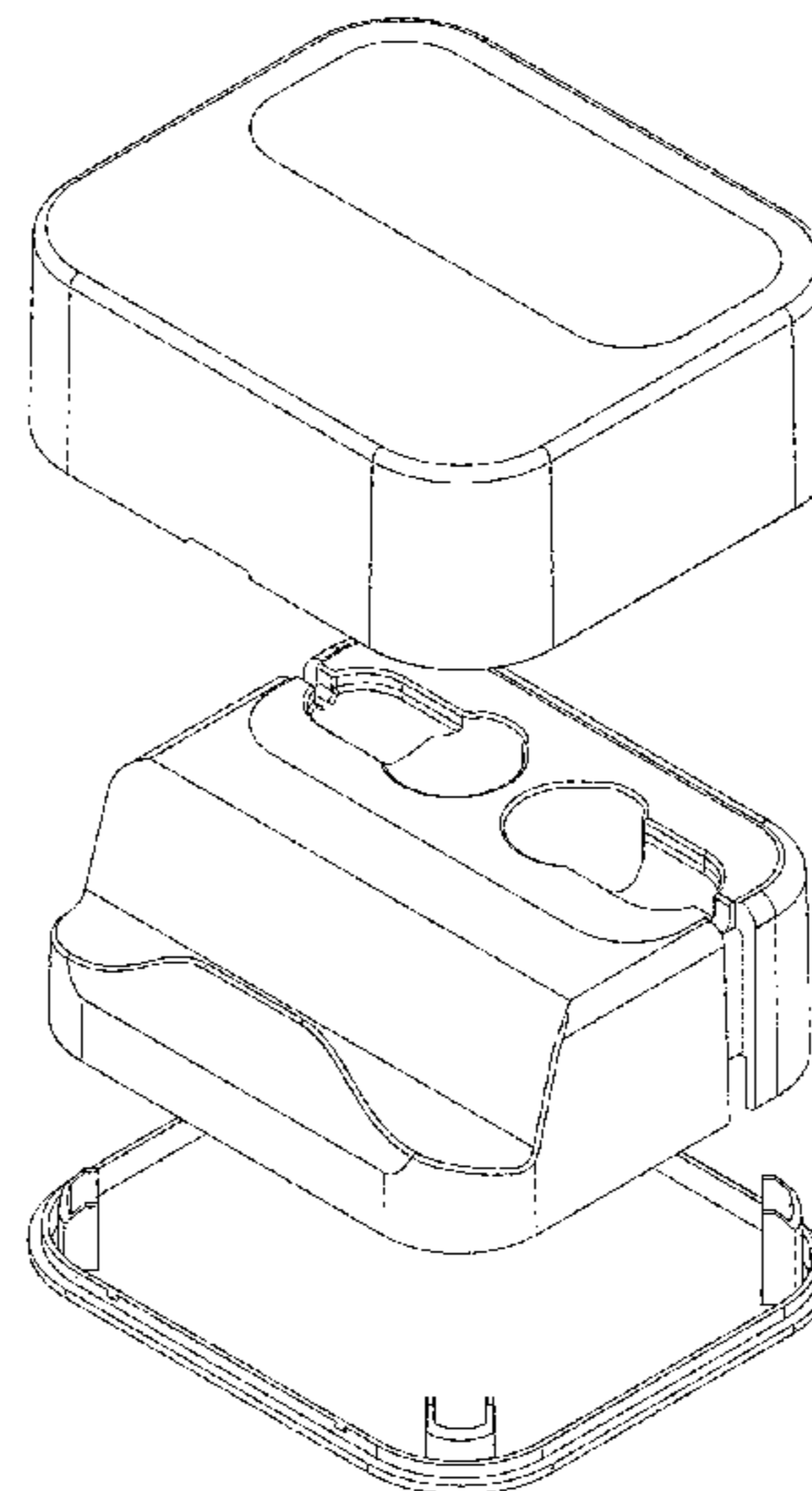
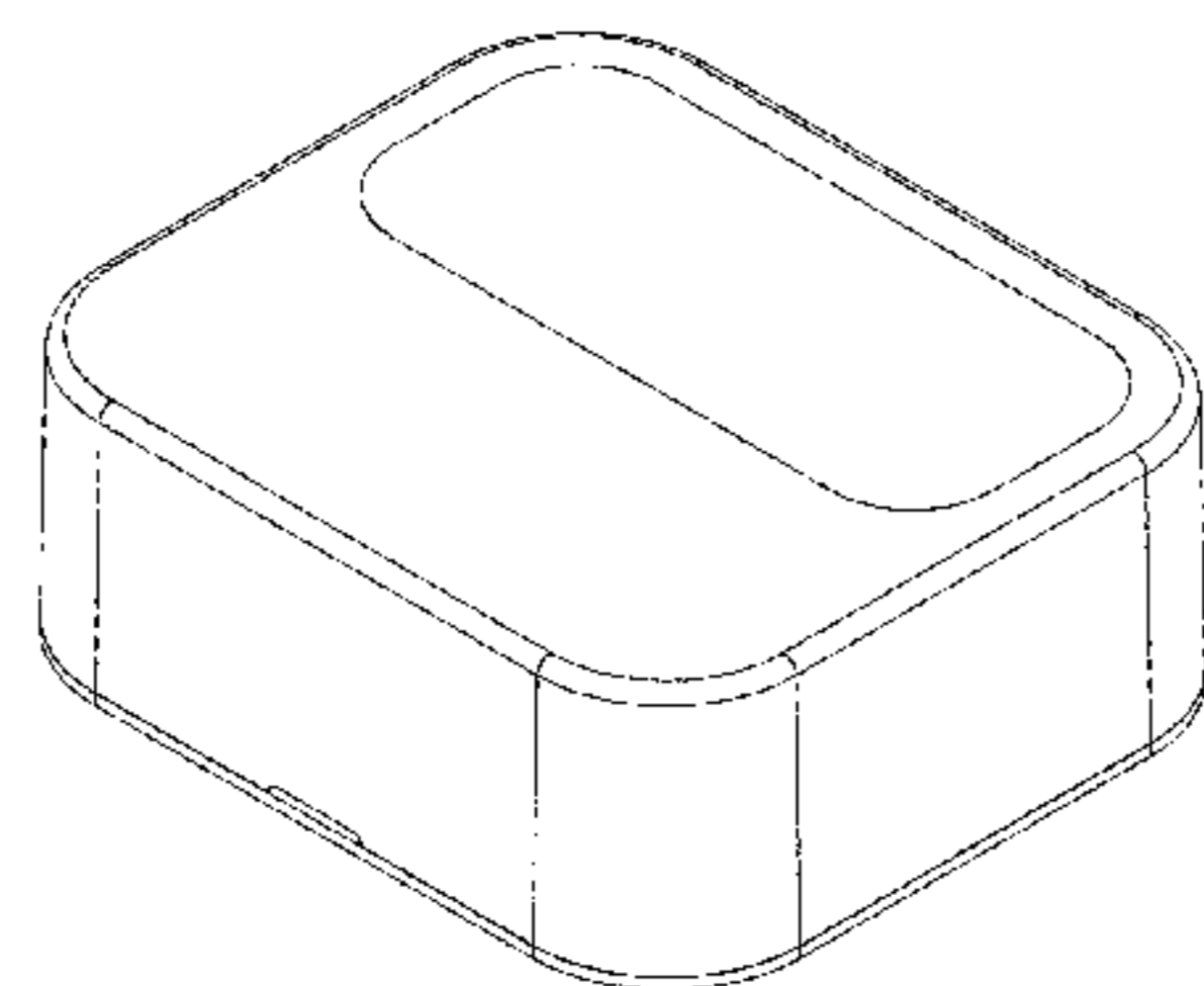
(57) **CLAIM**

The ornamental design for a packaging box, as shown and described.

**DESCRIPTION**

FIG. 1 is a top view of a packaging box.  
 FIG. 2 is a bottom view thereof.  
 FIG. 3 is a front view thereof, the rear view being a mirror image.  
 FIG. 4 is a left side view thereof, the right side view being a mirror image.  
 FIG. 5 is a top, front, right side perspective view thereof.  
 FIG. 6 is a top view of the bottom component of the packaging box, the inner and top components removed for clarity of illustration.  
 FIG. 7 is a bottom view thereof.  
 FIG. 8 is a front view thereof.  
 FIG. 9 is a rear view thereof.  
 FIG. 10 is a right side view thereof, the left side view being a mirror image.  
 FIG. 11 is a top view of the inner component of the packaging box, the bottom and top components removed for clarity of illustration.  
 FIG. 12 is a bottom view thereof.  
 FIG. 13 is a front view thereof.  
 FIG. 14 is a rear view thereof.  
 FIG. 15 is a right side view thereof, the left side view being a mirror image.  
 FIG. 16 is a top view of the top component of the packaging box, the bottom and inner components removed for clarity of illustration.  
 FIG. 17 is a bottom view thereof.  
 FIG. 18 is a left side view thereof, the right side view being a mirror image.  
 FIG. 19 is a front view thereof, the rear view being a mirror image; and,  
 FIG. 20 is a front, top, right exploded perspective view of the packaging box.

**1 Claim, 5 Drawing Sheets**



(56)

**References Cited**

U.S. PATENT DOCUMENTS

2004/0262187 A1\* 12/2004 Schauer ..... B65D 25/10  
206/521  
2017/0354474 A1\* 12/2017 Dobbyn ..... A61B 50/33

\* cited by examiner

FIG.1

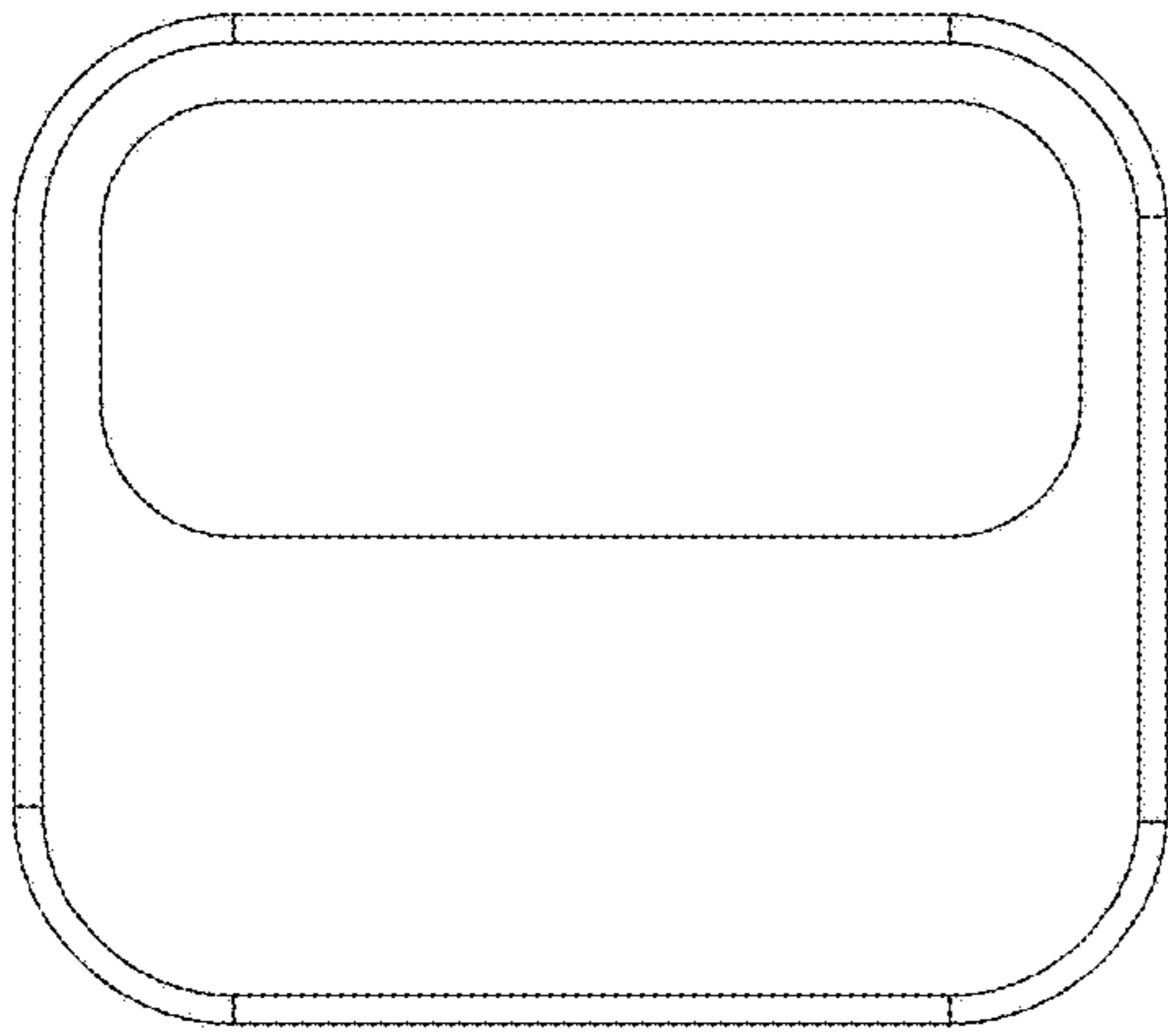


FIG.2

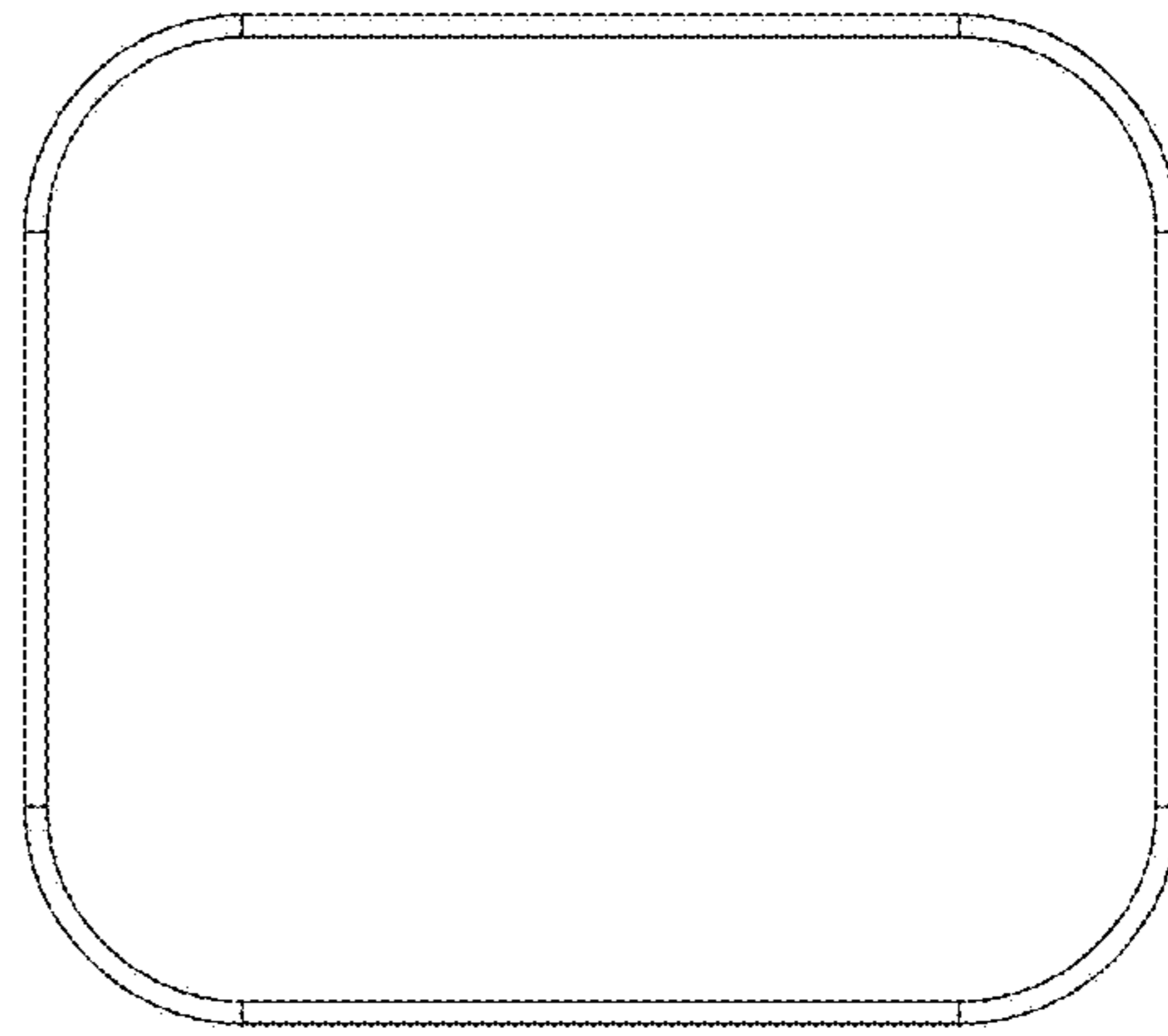


FIG.3

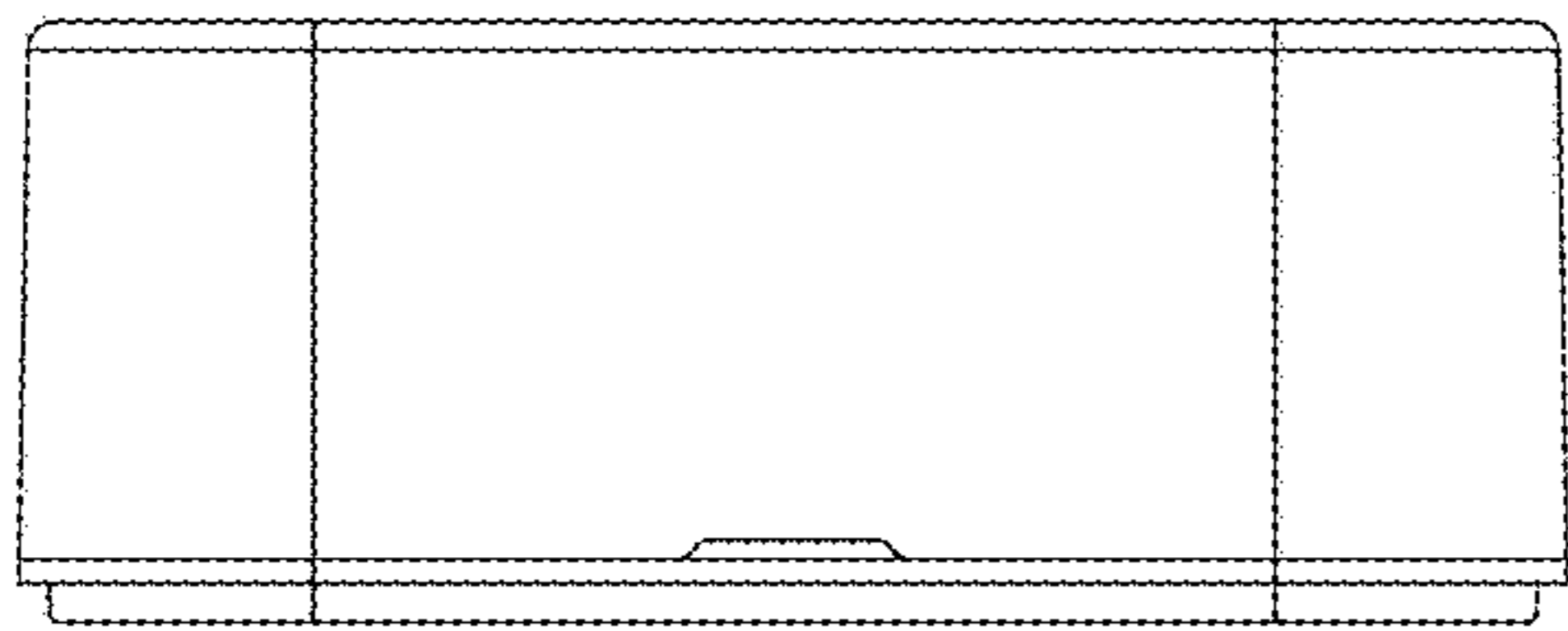


FIG.4



FIG.5

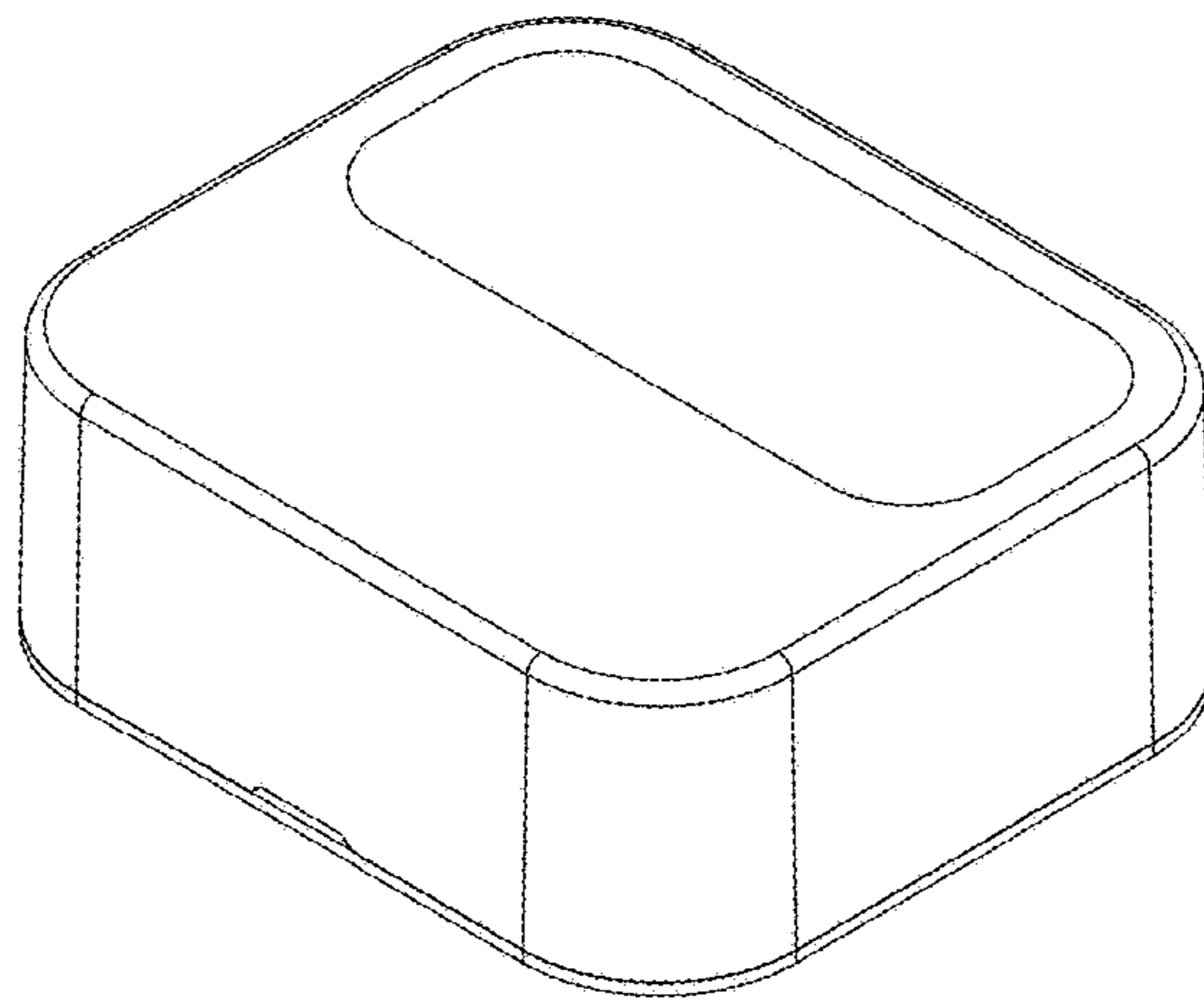


FIG.6

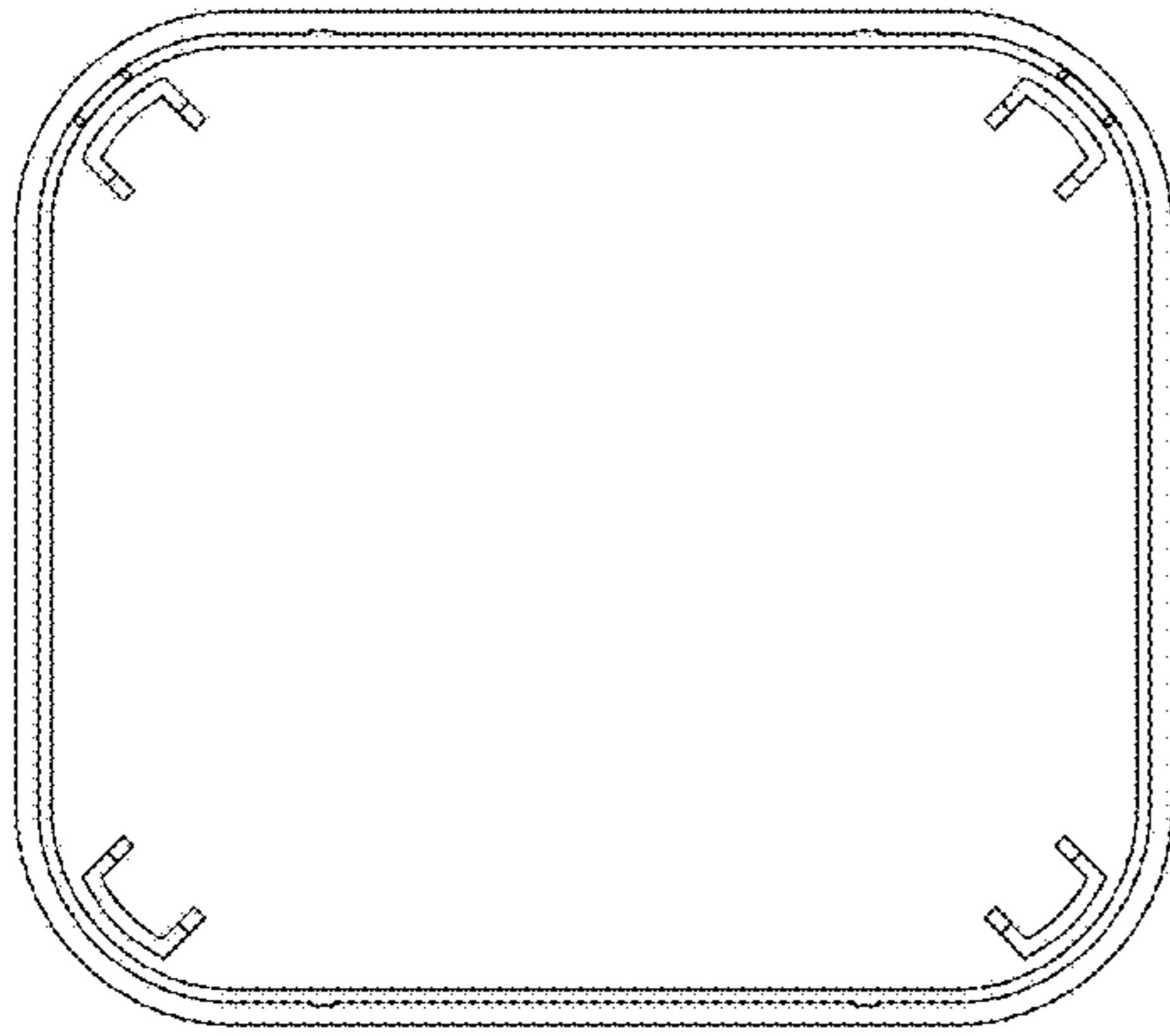


FIG.7

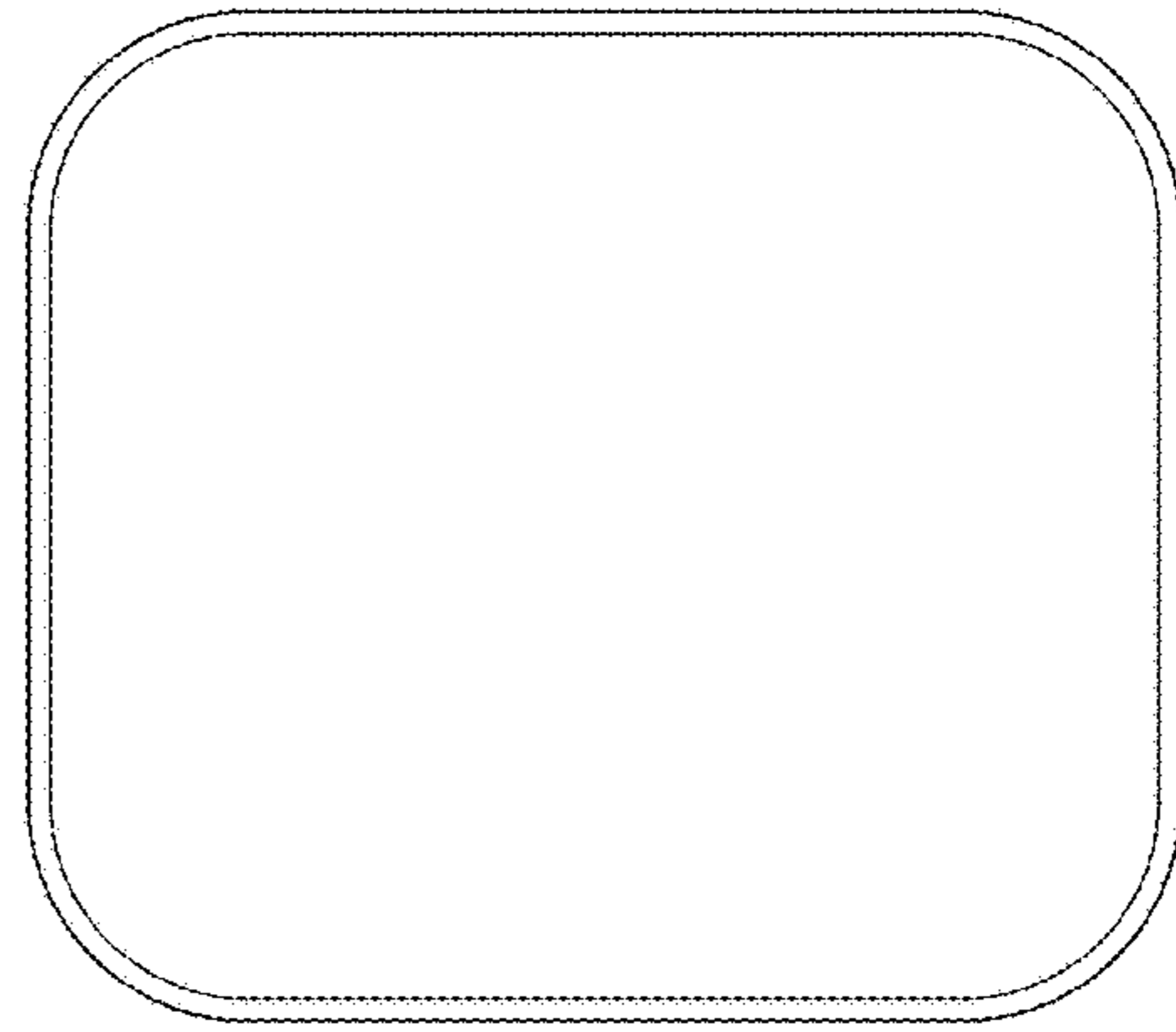


FIG.8

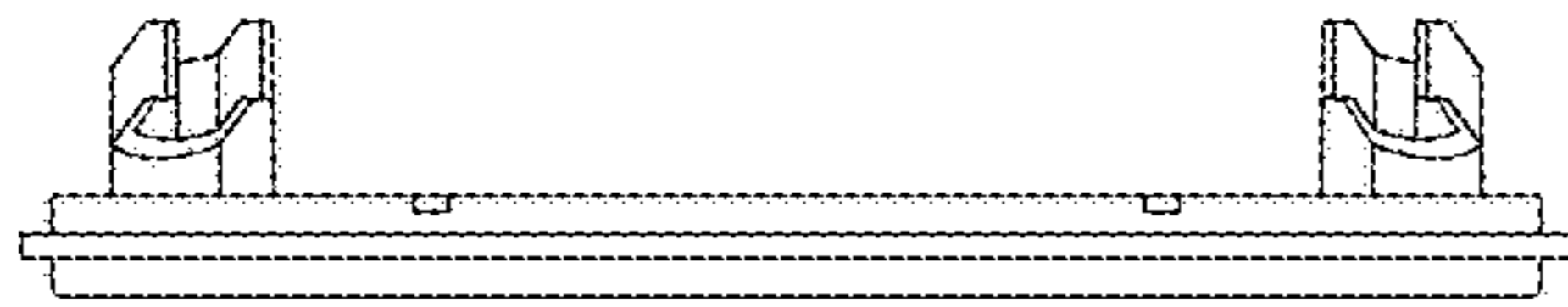


FIG.9

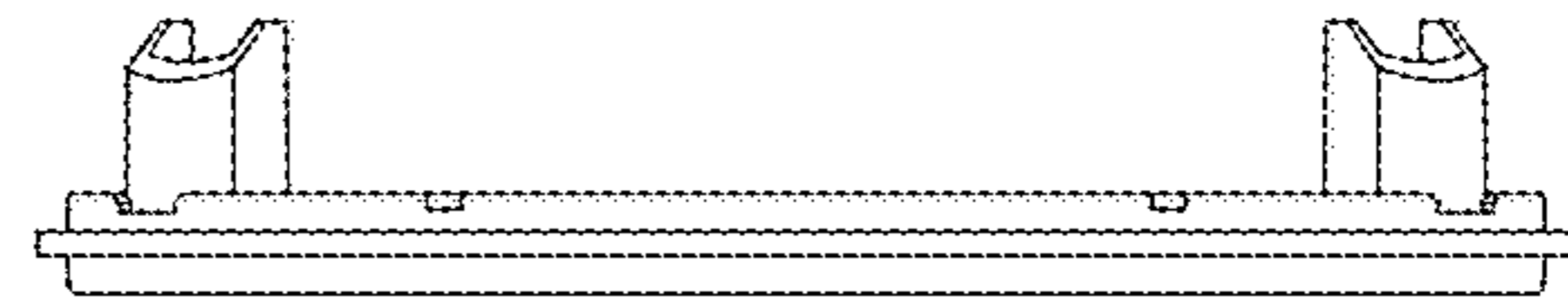


FIG.10

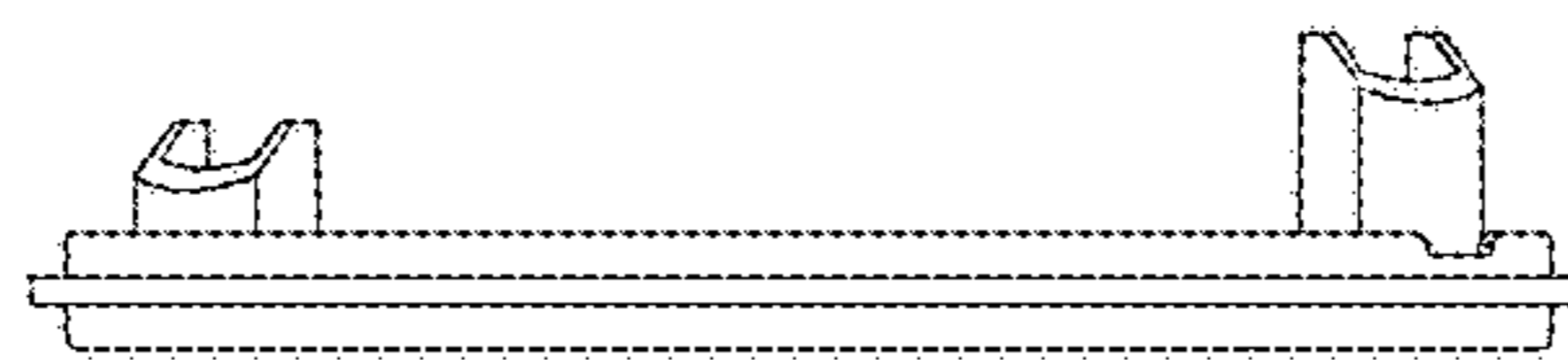


FIG.11

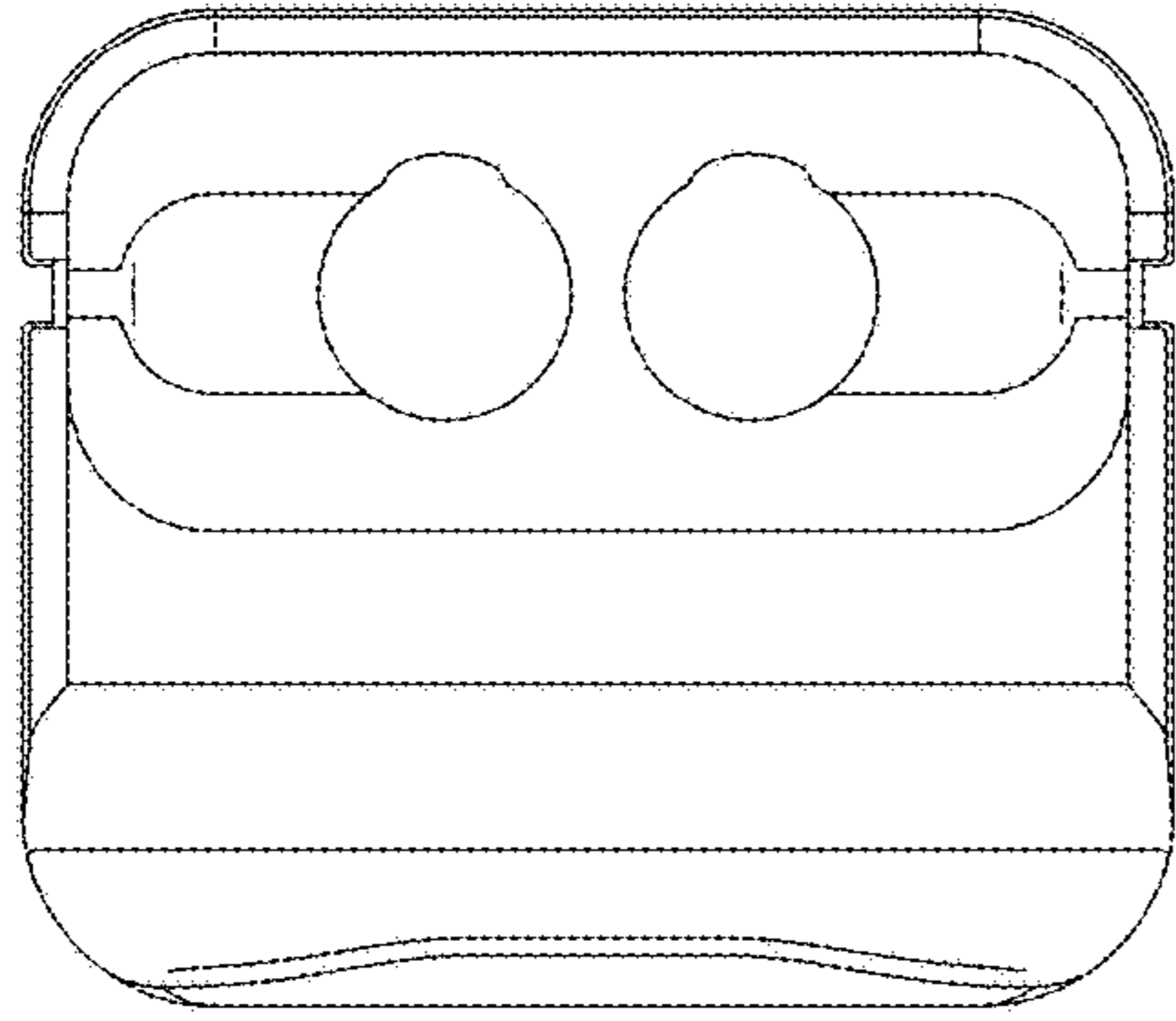


FIG.12

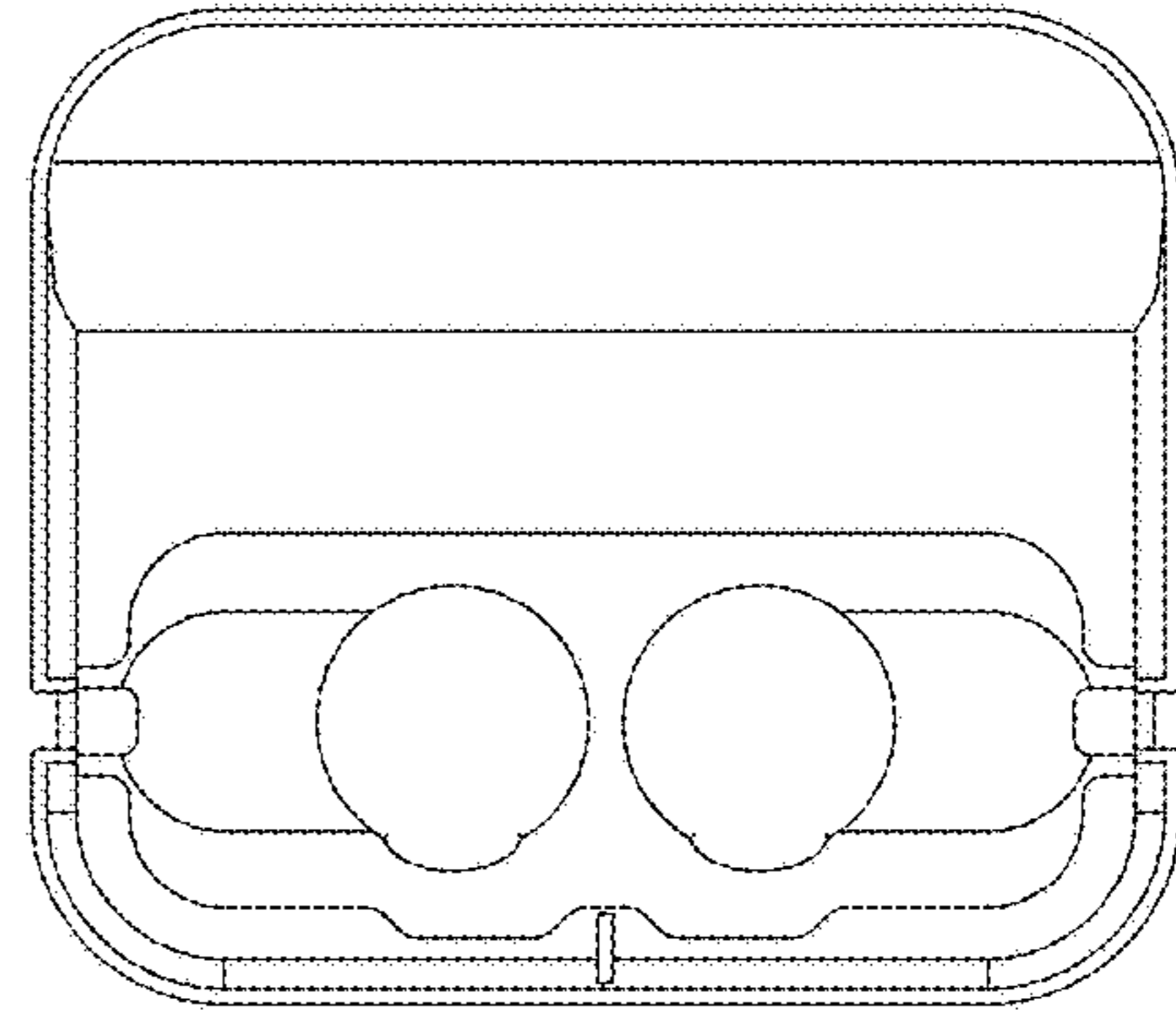


FIG.13

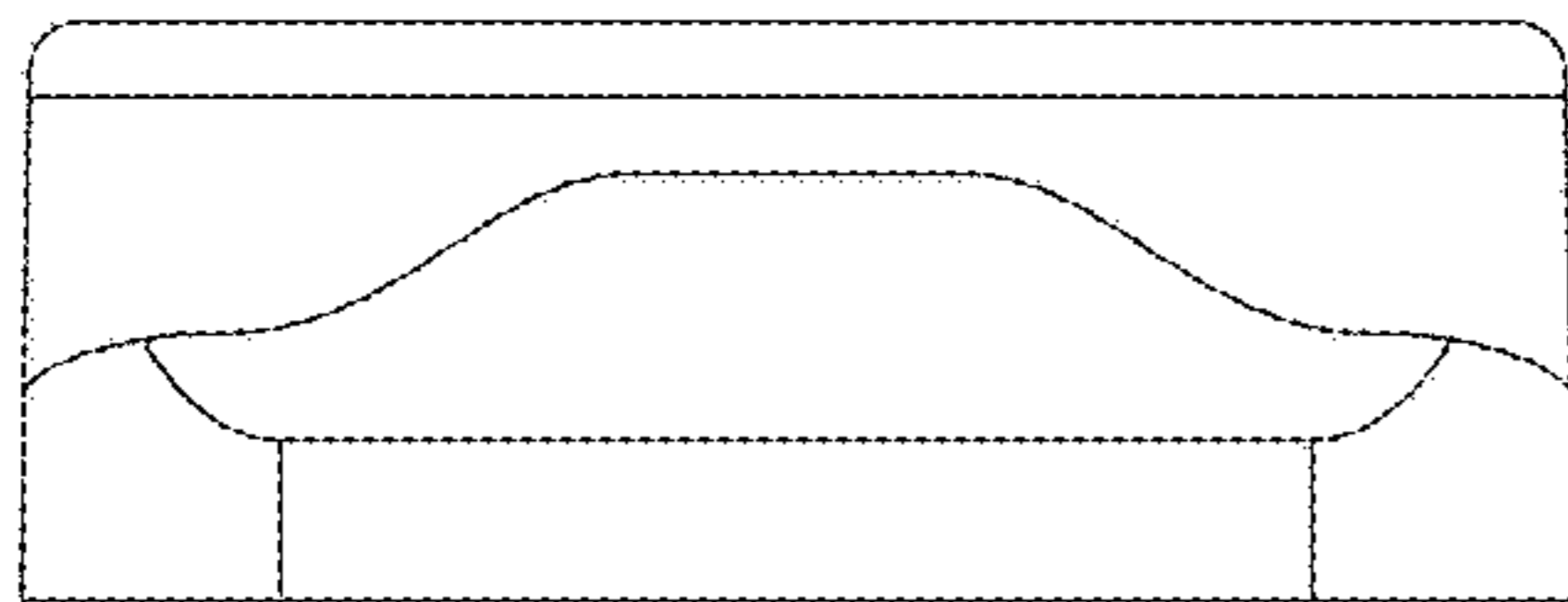


FIG.14

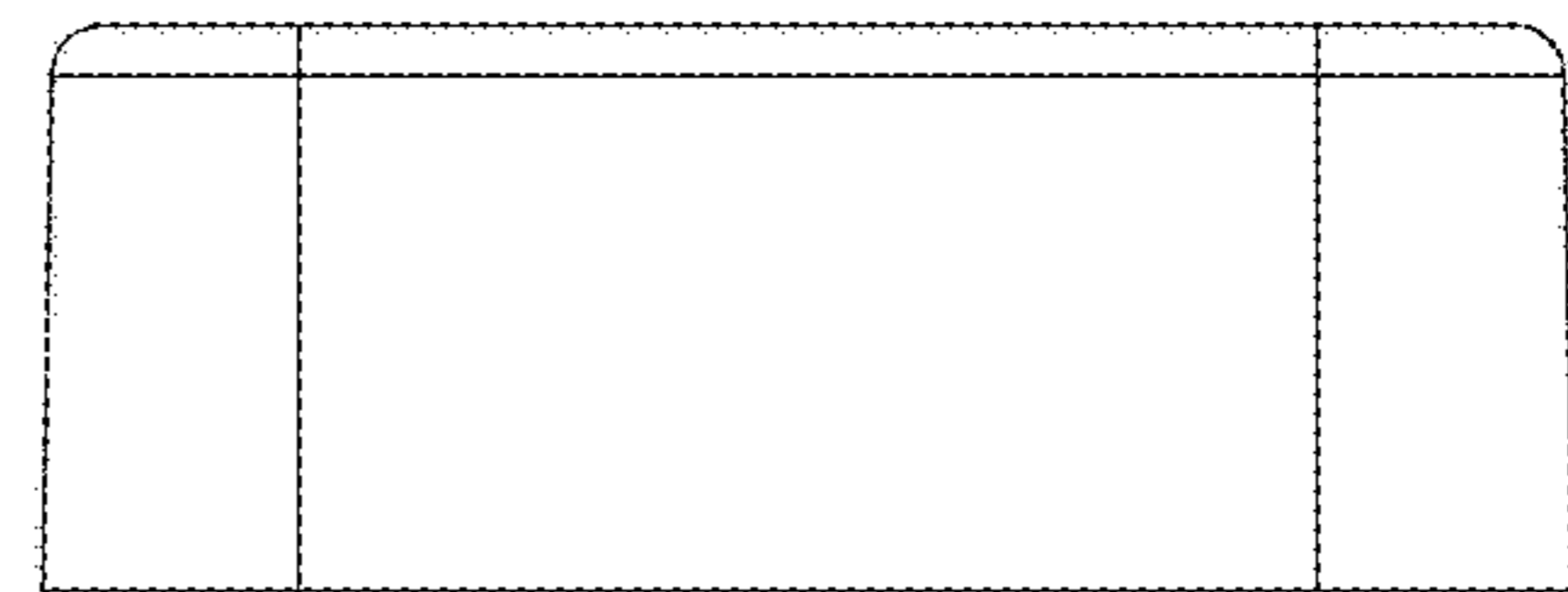


FIG.15

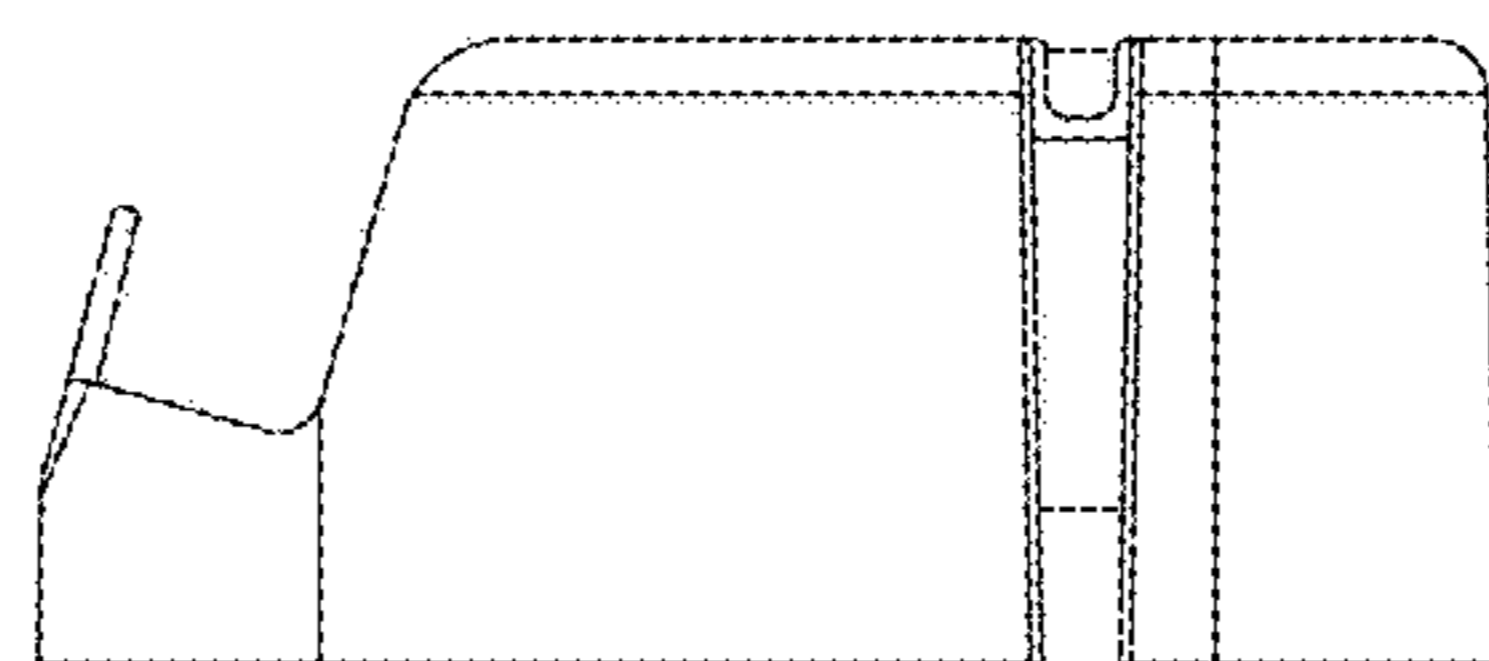


FIG.16

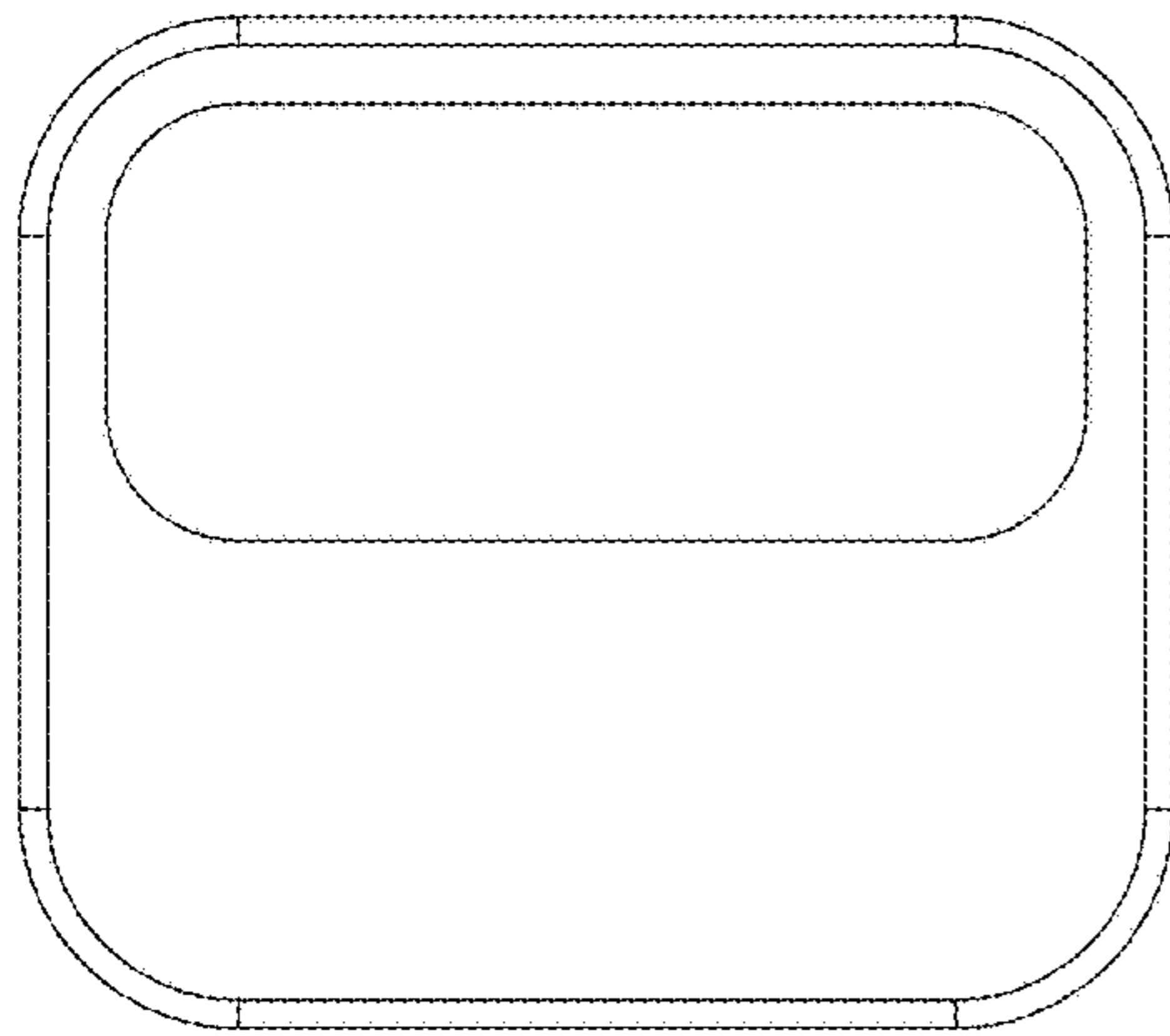


FIG.17

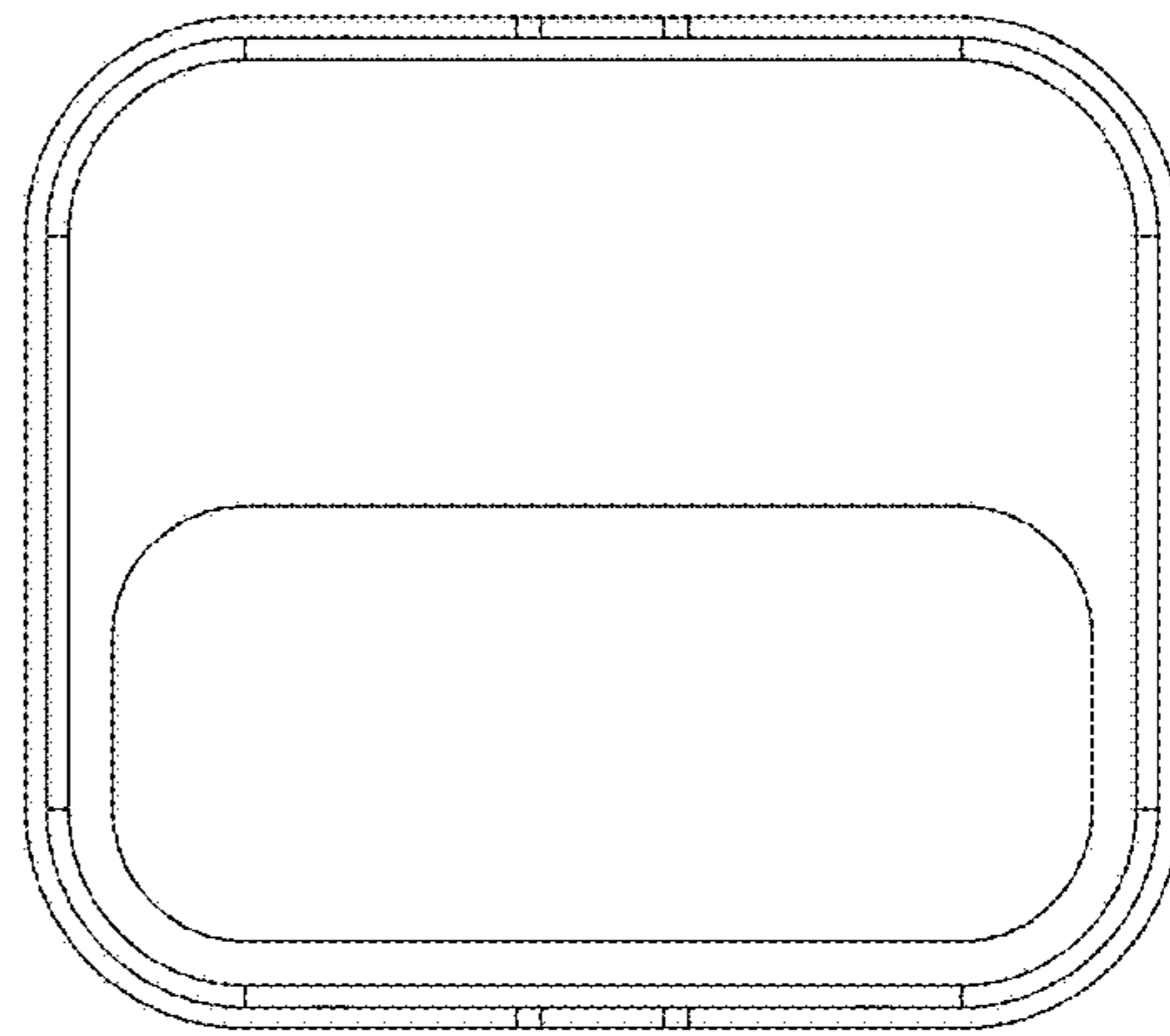


FIG.18

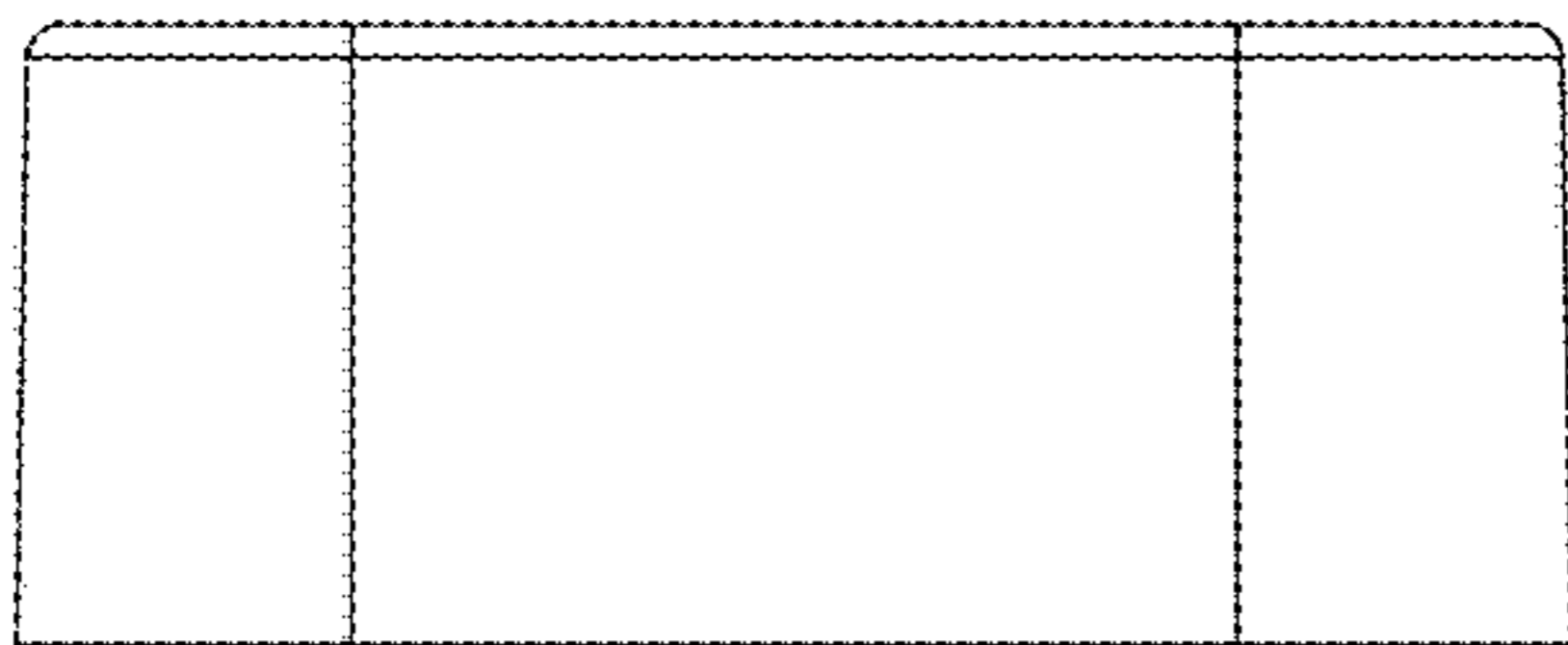


FIG.19

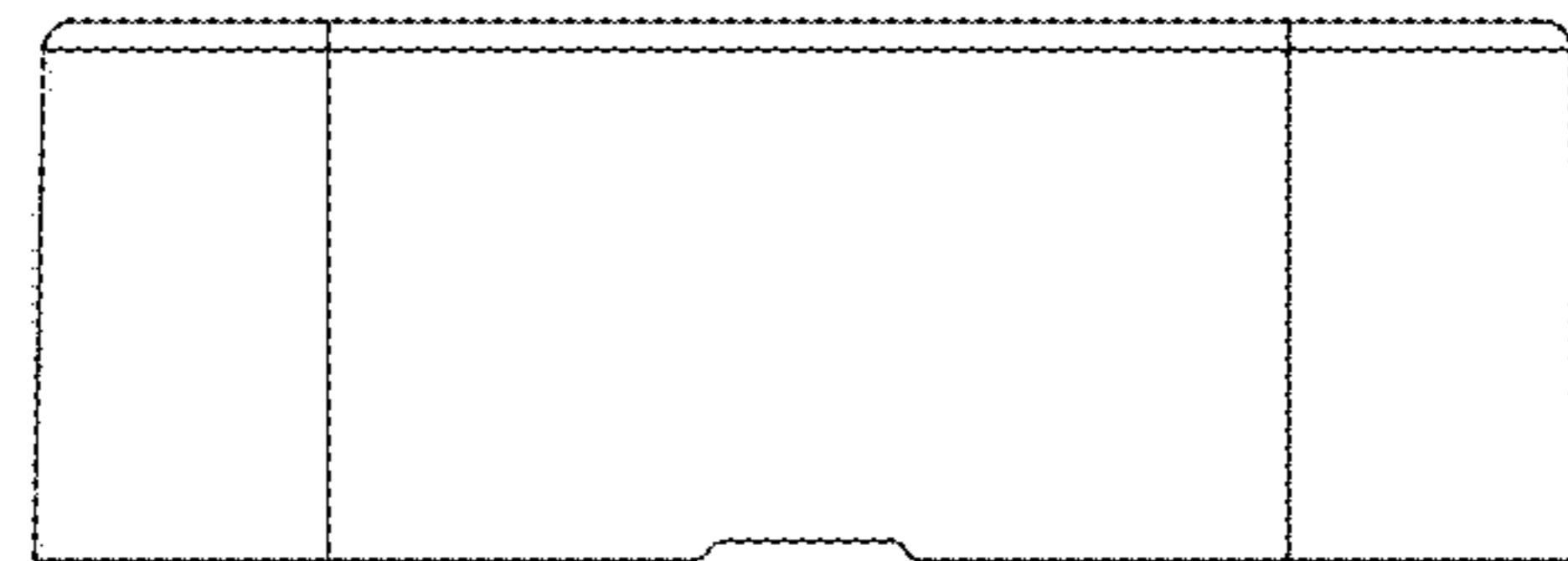


FIG.20

