



US00D864711S

(12) **United States Design Patent** (10) **Patent No.:** **US D864,711 S**  
**Chen** (45) **Date of Patent:** **\*\* Oct. 29, 2019**

(54) **FOOD CONTAINER**

(71) Applicant: **Ya-Chien Chen**, Taipei (TW)

(72) Inventor: **Ya-Chien Chen**, Taipei (TW)

(\*\*) Term: **15 Years**

(21) Appl. No.: **29/657,590**

(22) Filed: **Jul. 24, 2018**

(51) **LOC (12) Cl.** ..... **09-03**

(52) **U.S. Cl.**  
USPC ..... **D9/425**

(58) **Field of Classification Search**  
USPC ..... D7/400, 601, 608; D9/416, 417, 420,  
D9/425-429, 430, 432, 761; 206/499,  
206/501, 502, 821; 220/625, 656, 669,  
220/670, 674; 229/123.1, 123.2, 125.33,  
229/125.35, 400-407, 915, 939  
CPC . B65D 1/26; B65D 1/40; B65D 5/243; B65D  
81/3453; B65D 2581/34; B65D  
2581/3404; B65D 2581/3456  
See application file for complete search history.

(56) **References Cited**

**U.S. PATENT DOCUMENTS**

D439,545 S \* 3/2001 Grosfillex ..... D11/152  
D536,608 S \* 2/2007 Arkins ..... D9/414

D655,578 S \* 3/2012 Samartgis ..... D7/602  
D687,679 S \* 8/2013 Mikulka ..... D7/553.2  
D690,198 S \* 9/2013 Haracourt ..... D7/602  
D695,606 S \* 12/2013 Schick ..... D9/425  
D707,120 S \* 6/2014 Tyberghein ..... D7/629  
D738,719 S \* 9/2015 Breton ..... D9/425

\* cited by examiner

*Primary Examiner* — Derrick E Holland

*Assistant Examiner* — Janice Patyk

(74) *Attorney, Agent, or Firm* — Rosenberg, Klein & Lee

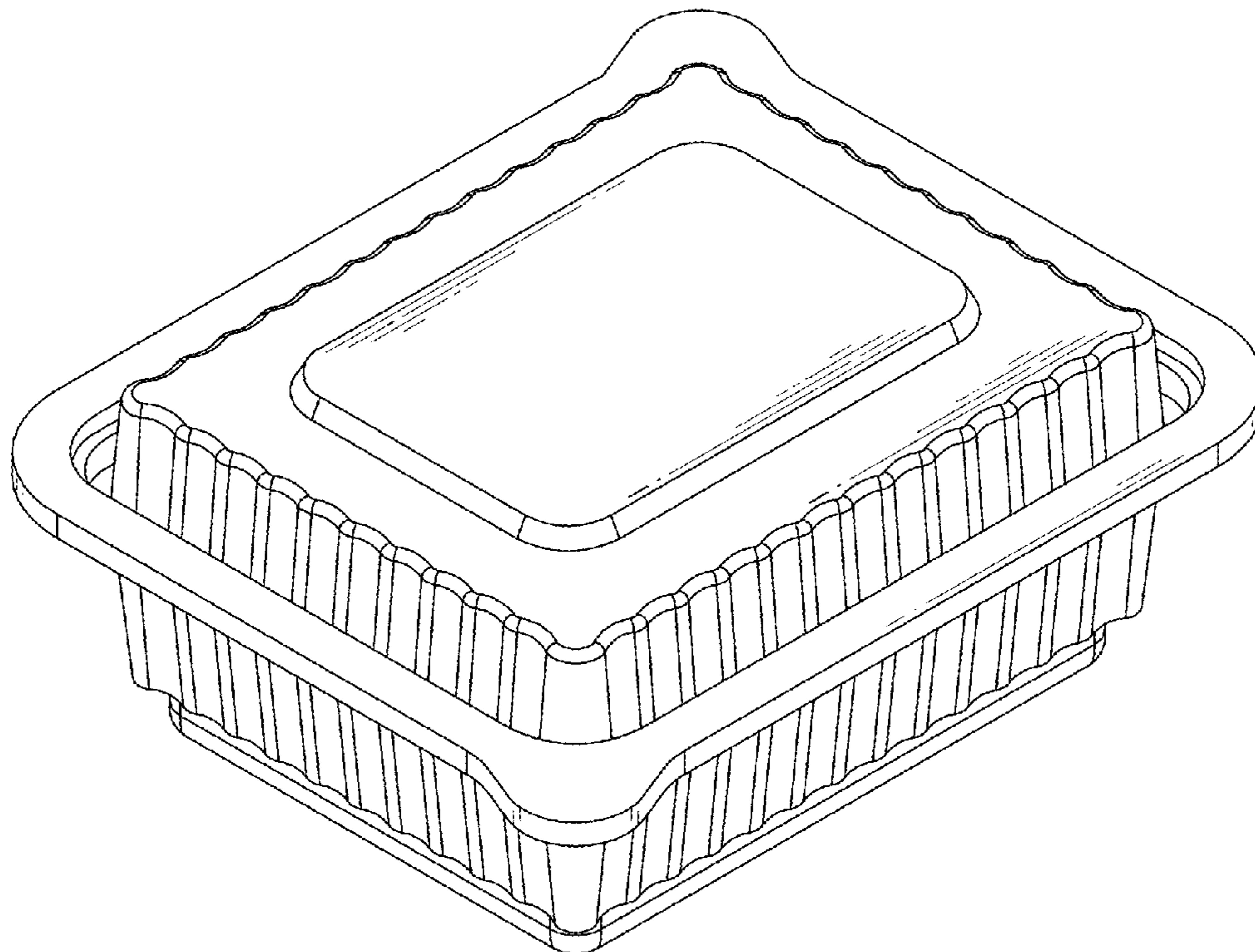
(57) **CLAIM**

The ornamental design for a food container, as shown and described.

**DESCRIPTION**

FIG. 1 is a top perspective view of a food container showing my new design;  
FIG. 2 is a bottom perspective view thereof;  
FIG. 3 is a front elevation view thereof, a rear elevation view being a mirror image thereof;  
FIG. 4 is a left side elevation view thereof, a right side elevation view being a mirror image thereof;  
FIG. 5 is a top plan view thereof; and,  
FIG. 6 is a bottom plan view thereof.

**1 Claim, 5 Drawing Sheets**



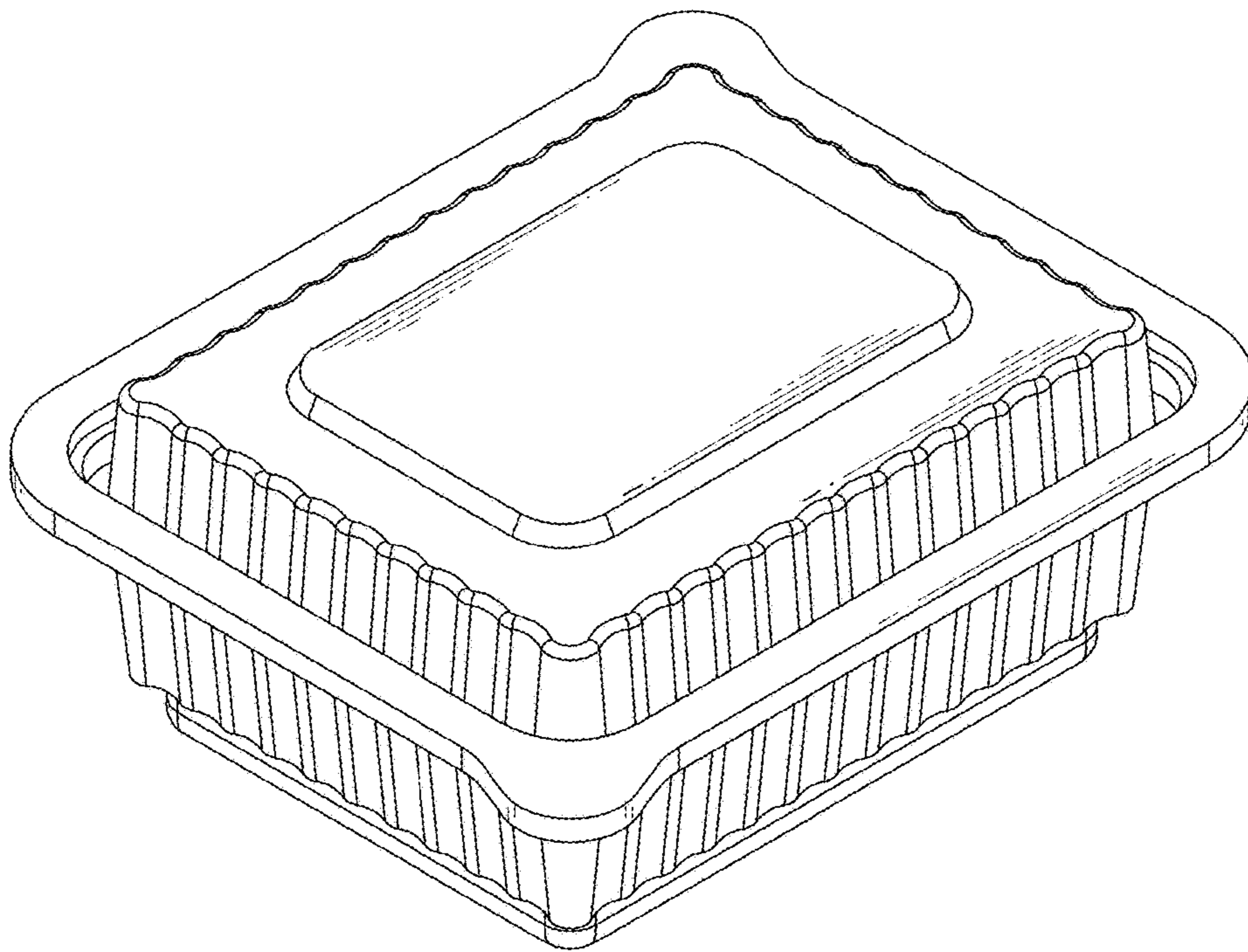


FIG.1

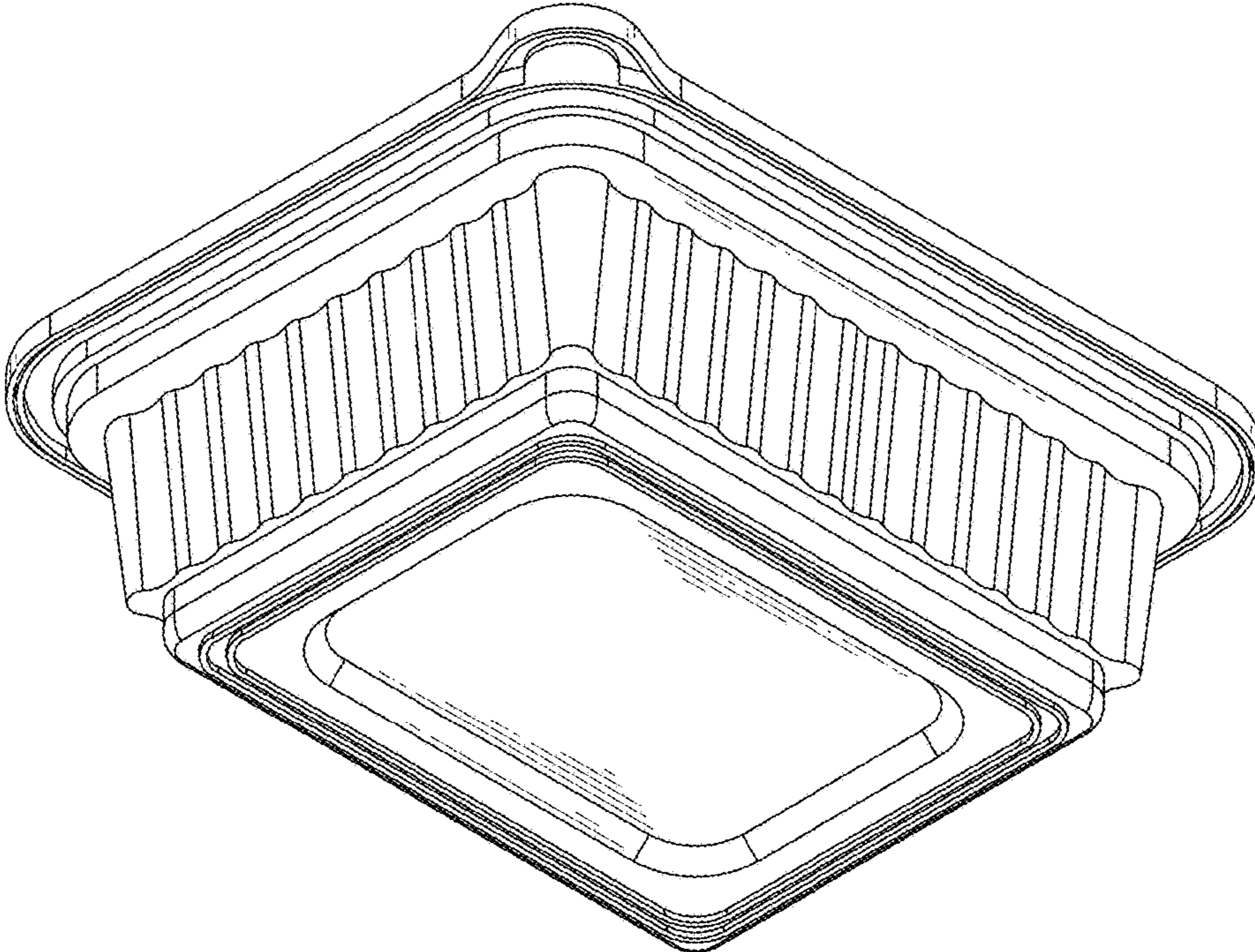


FIG.2

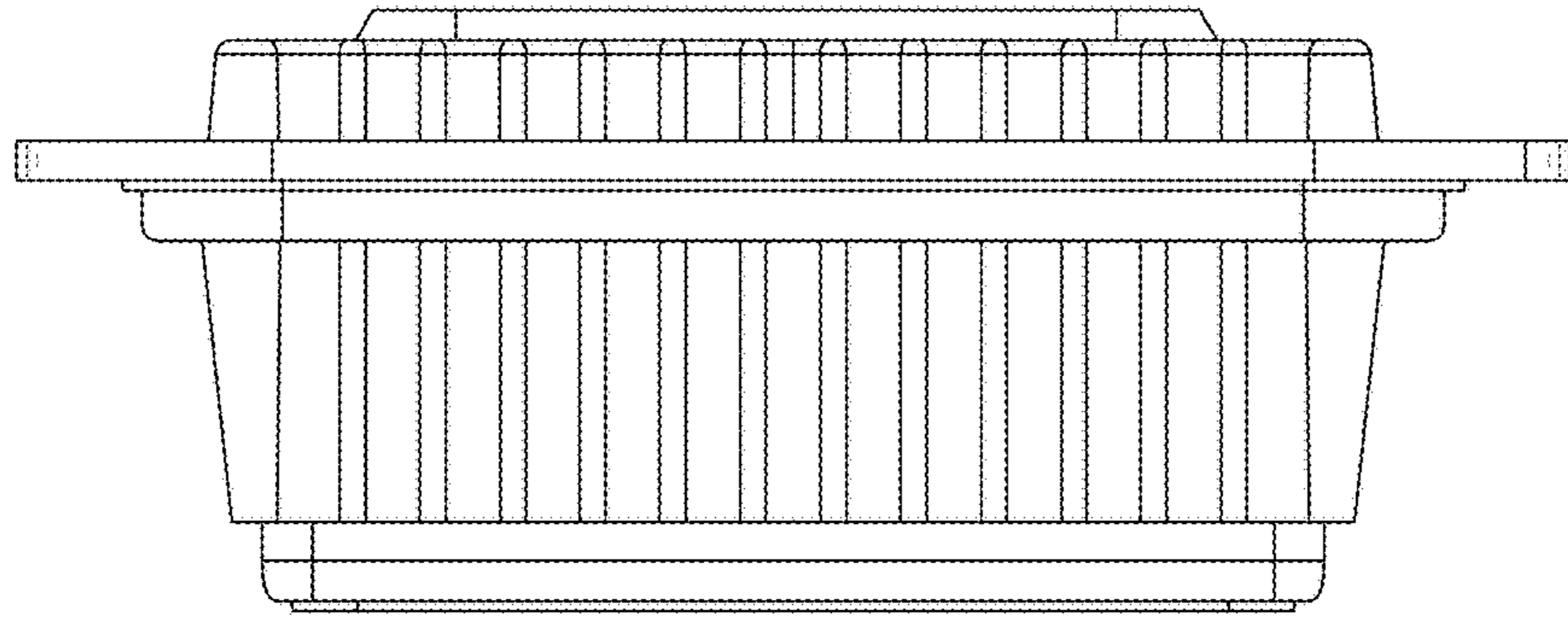


FIG.3

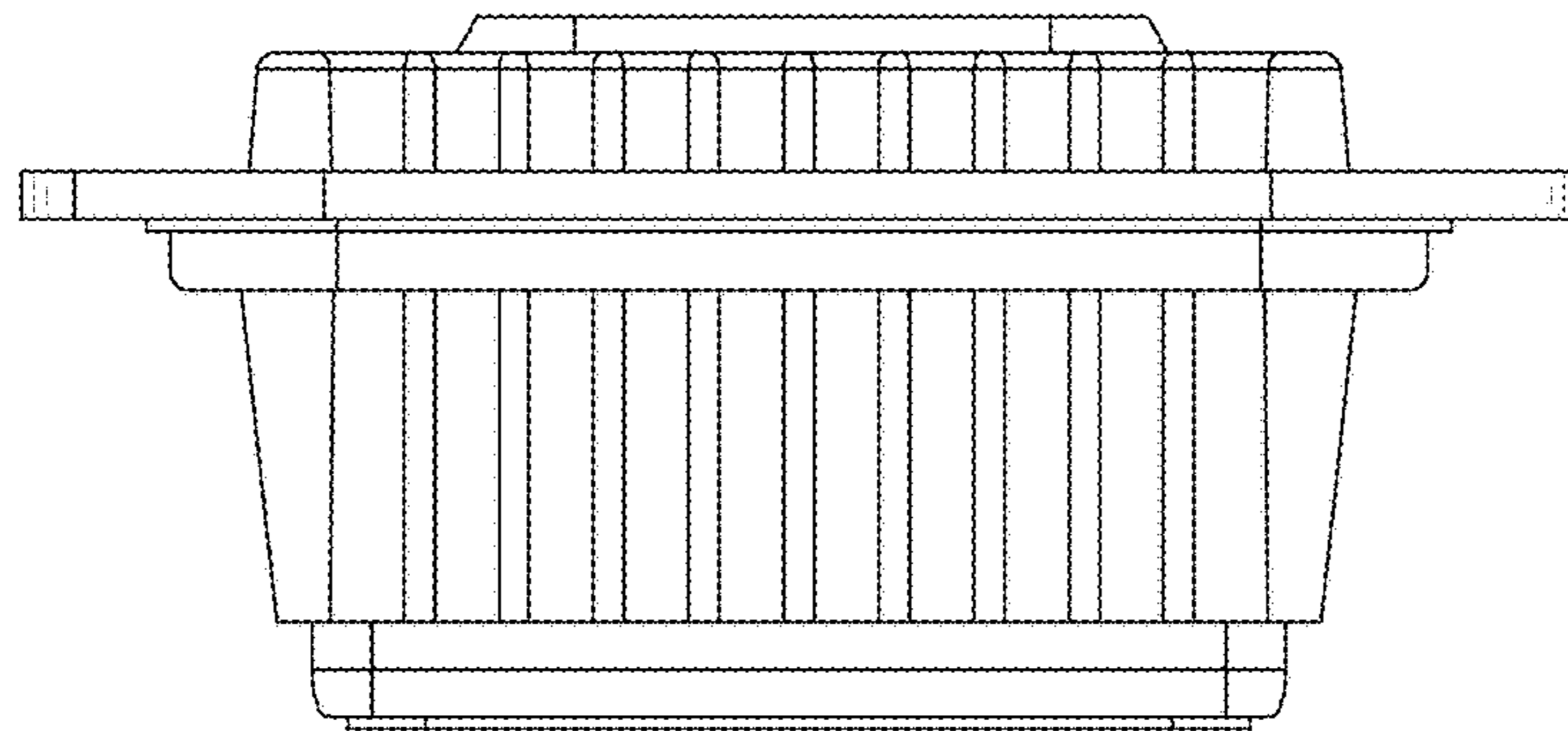


FIG.4

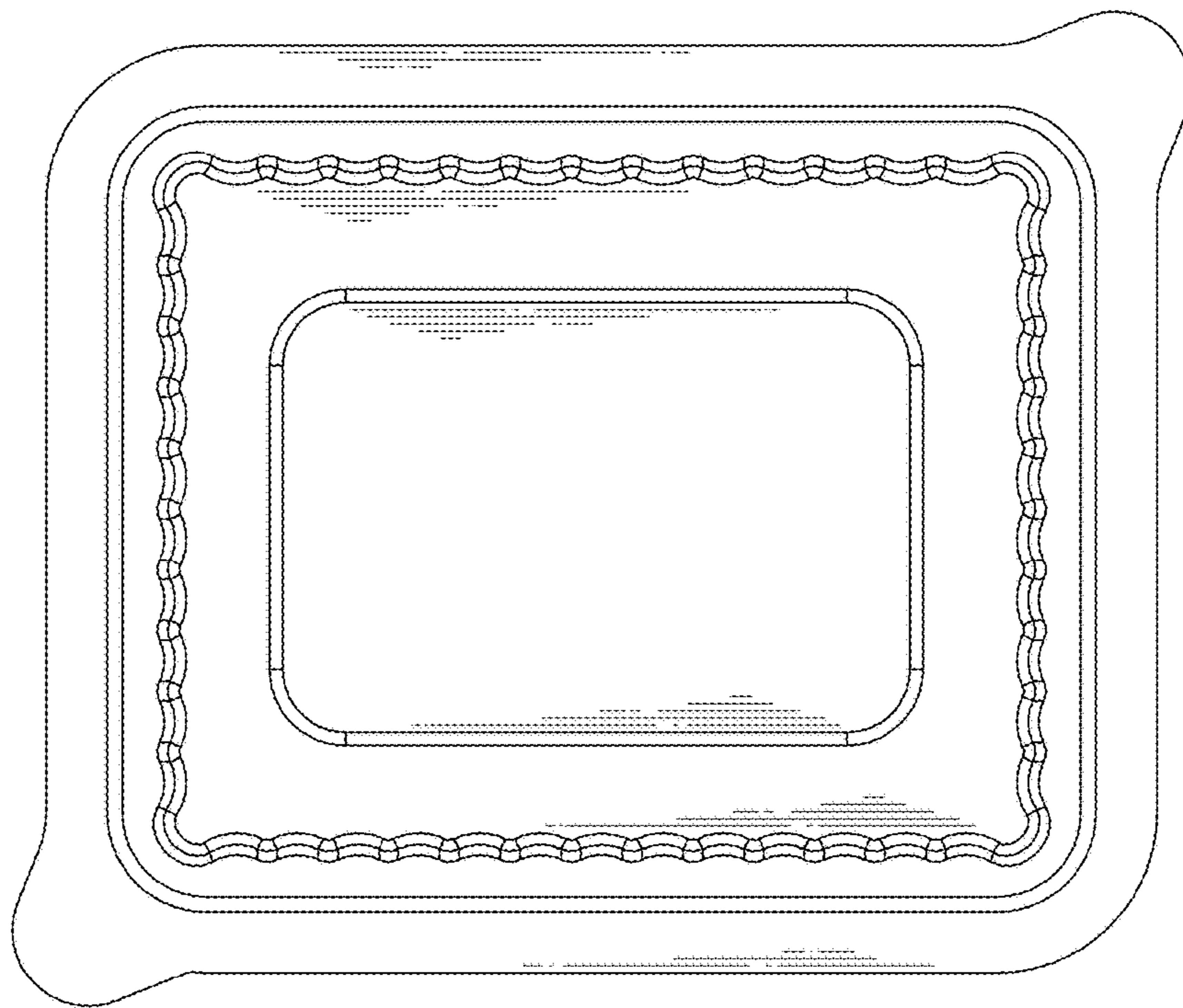


FIG.5

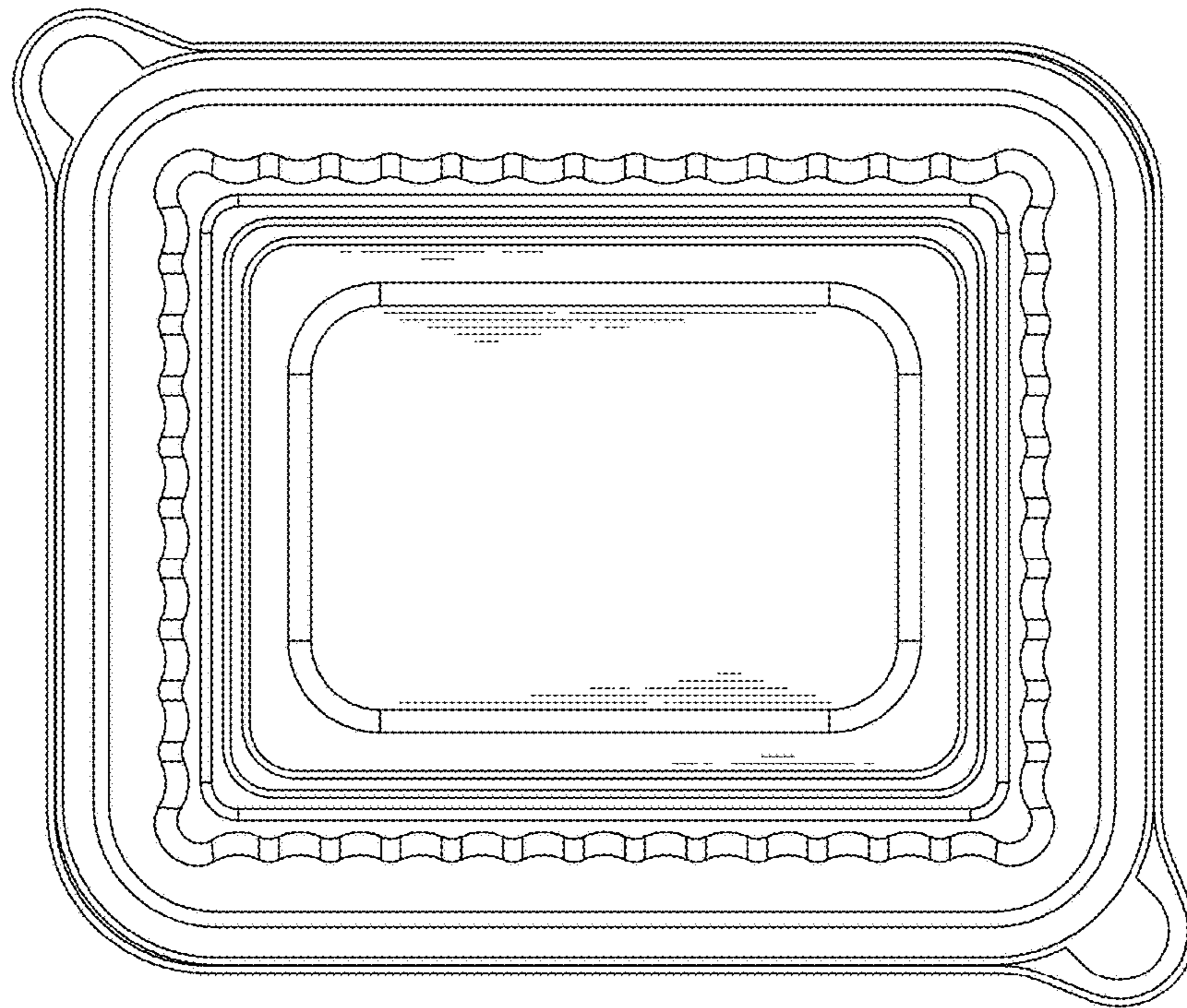


FIG.6