



US00D864710S

(12) **United States Design Patent** (10) **Patent No.:** **US D864,710 S**
Watson (45) **Date of Patent:** **** Oct. 29, 2019**

- (54) **VAPOR PRODUCT PACKAGING**
- (71) Applicant: **RAI STRATEGIC HOLDINGS, INC.,**
Winston-Salem, NC (US)
- (72) Inventor: **Nicholas H. Watson,** Westfield, NC
(US)
- (73) Assignee: **RAI STRATEGIC HOLDINGS, INC.,**
Winston-Salem, NC (US)
- (**) Term: **15 Years**
- (21) Appl. No.: **29/660,324**
- (22) Filed: **Aug. 20, 2018**
- (51) **LOC (12) Cl.** **09-03**
- (52) **U.S. Cl.**
USPC **D9/421**
- (58) **Field of Classification Search**
USPC D7/601-602; D9/414-434, 456-457,
D9/499, 737, 748-749, 756, 758-761
See application file for complete search history.

- 9,399,545 B2 * 7/2016 Ha B65D 85/00
- D805,398 S * 12/2017 Torchin D9/737
- D826,714 S 8/2018 Pipes et al.
- 2011/0062175 A1 3/2011 Nakamura et al.
- 2011/0198348 A1* 8/2011 Marbe B65B 35/52
220/23.83
- 2012/0261285 A1 10/2012 Holloway et al.
(Continued)

OTHER PUBLICATIONS

Nucig Ltd, "Looks Real. Tastes Real. Satisfies . . . NUCIG AdvancedPRO series . . . not just any ordinary electronic cigarette", <<https://www.nucig.co.uk/Advance-PRO-Spares-Accessories-s/160.htm>>, 2008, downloaded Jun. 19, 2018, 4 pages.

(Continued)

Primary Examiner — Sandra L Morris

(74) *Attorney, Agent, or Firm* — Foley & Lardner LLP

(57) **CLAIM**

I claim the ornamental design for a vapor product packaging, as shown and described.

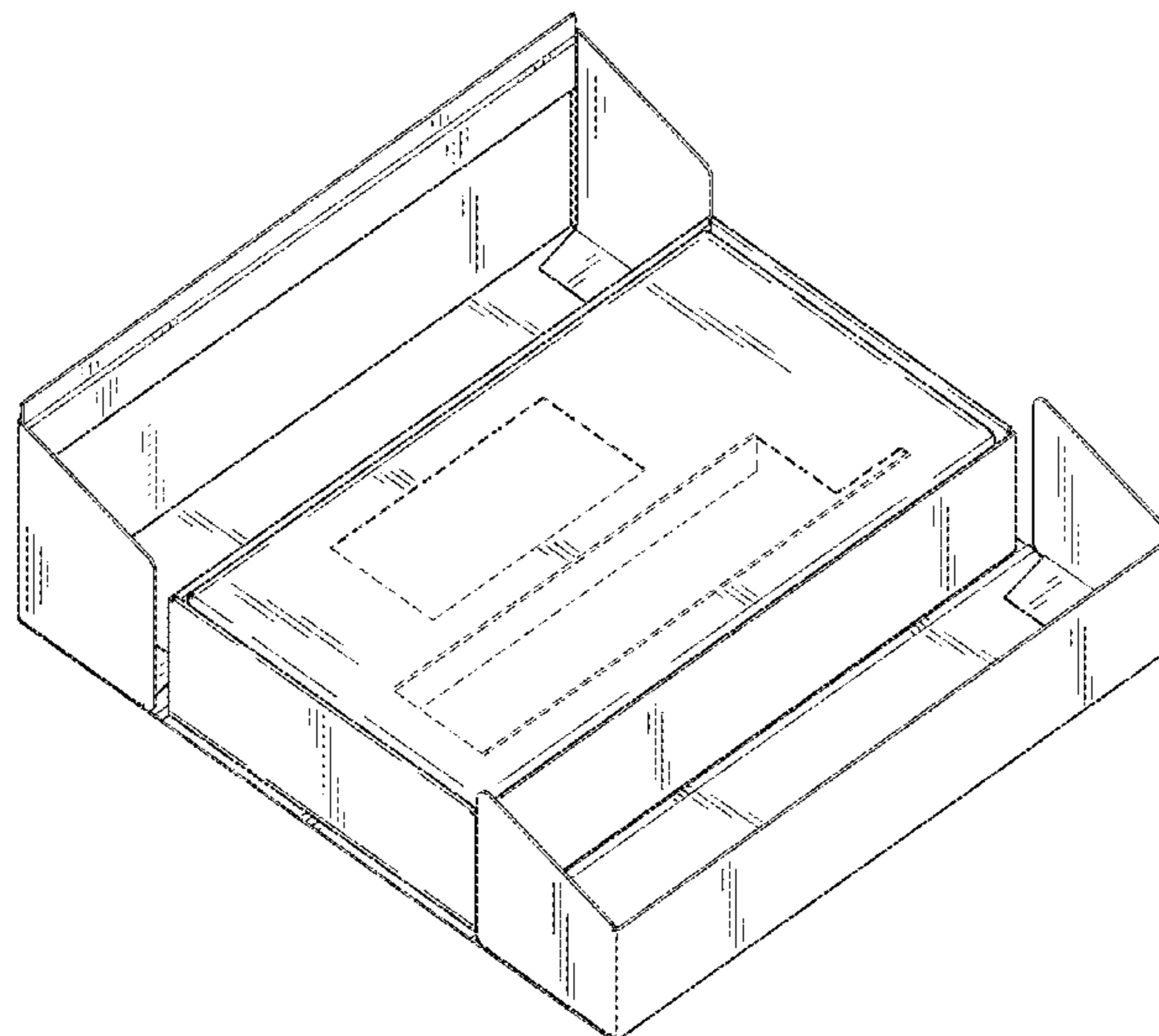
DESCRIPTION

FIG. 1 is a top, front, right perspective view of an embodiment of the claimed design in a first configuration; FIG. 2 is a top, front, right perspective view thereof in a second configuration; FIG. 3 is a top, front, right perspective view thereof in a third configuration; FIG. 4 is a top plan view thereof in the first configuration; FIG. 5 is a right side elevation view thereof; FIG. 6 is a left side elevation view thereof; FIG. 7 is a front elevation view thereof; FIG. 8 is a rear elevation view thereof; and, FIG. 9 is a bottom plan view thereof. The broken lines in the drawings are for illustrative purposes only and form no part of the claimed design.

1 Claim, 7 Drawing Sheets

(56) **References Cited**
U.S. PATENT DOCUMENTS

- D240,292 S * 6/1976 Beaumont B65B 35/52
D9/421
- 4,618,090 A * 10/1986 Cortellucci B65D 43/162
220/326
- 6,095,408 A * 8/2000 Nguyen B65D 5/2009
229/120.21
- D485,492 S * 1/2004 Hoffman D9/433
- D590,708 S * 4/2009 Maguire D9/432
- D607,319 S * 1/2010 Collins D9/416
- D697,401 S * 1/2014 Kidd B65D 5/2009
D9/421
- D748,498 S 2/2016 Pipes et al.
- D756,223 S 5/2016 Pipes et al.



(56)

References Cited

U.S. PATENT DOCUMENTS

2012/0261286 A1 10/2012 Holloway et al.
2014/0262871 A1 9/2014 Fath
2017/0113865 A1 4/2017 Swede et al.
2017/0259954 A1 9/2017 Schwester
2017/0291757 A1 10/2017 Sebastian et al.
2017/0325500 A1 11/2017 Senfleben et al.
2017/0327291 A1 11/2017 Senfleben et al.
2018/0007956 A1 1/2018 Iwata

OTHER PUBLICATIONS

TechVitaminsTV, "E-Cigarettes: how it works (blu Premium E-Cig Social Kit review) Must See!!", <<https://www.youtube.com/watch?v=mFAYxw6csjg>>, Mar. 14, 2012.

* cited by examiner

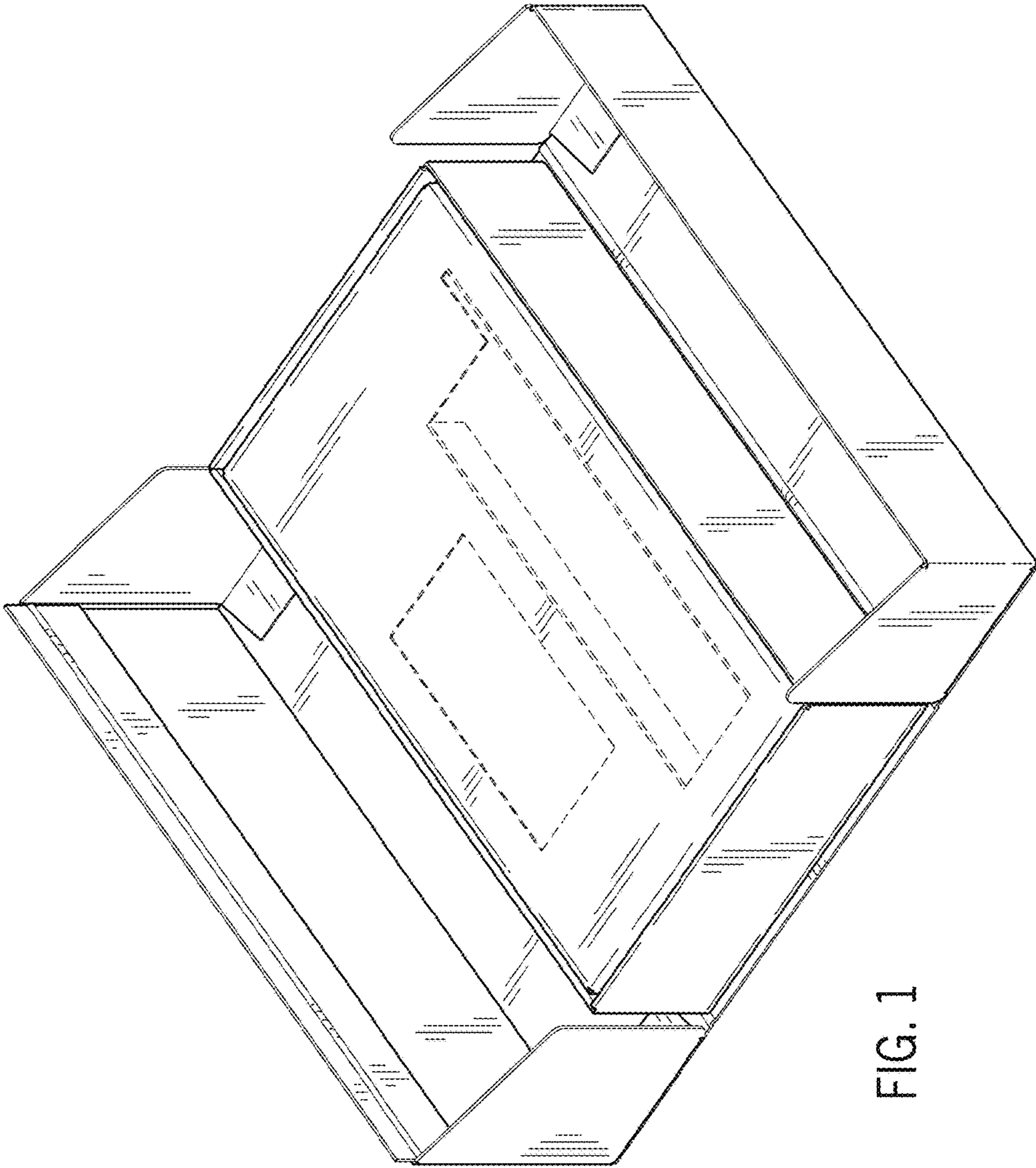


FIG. 1

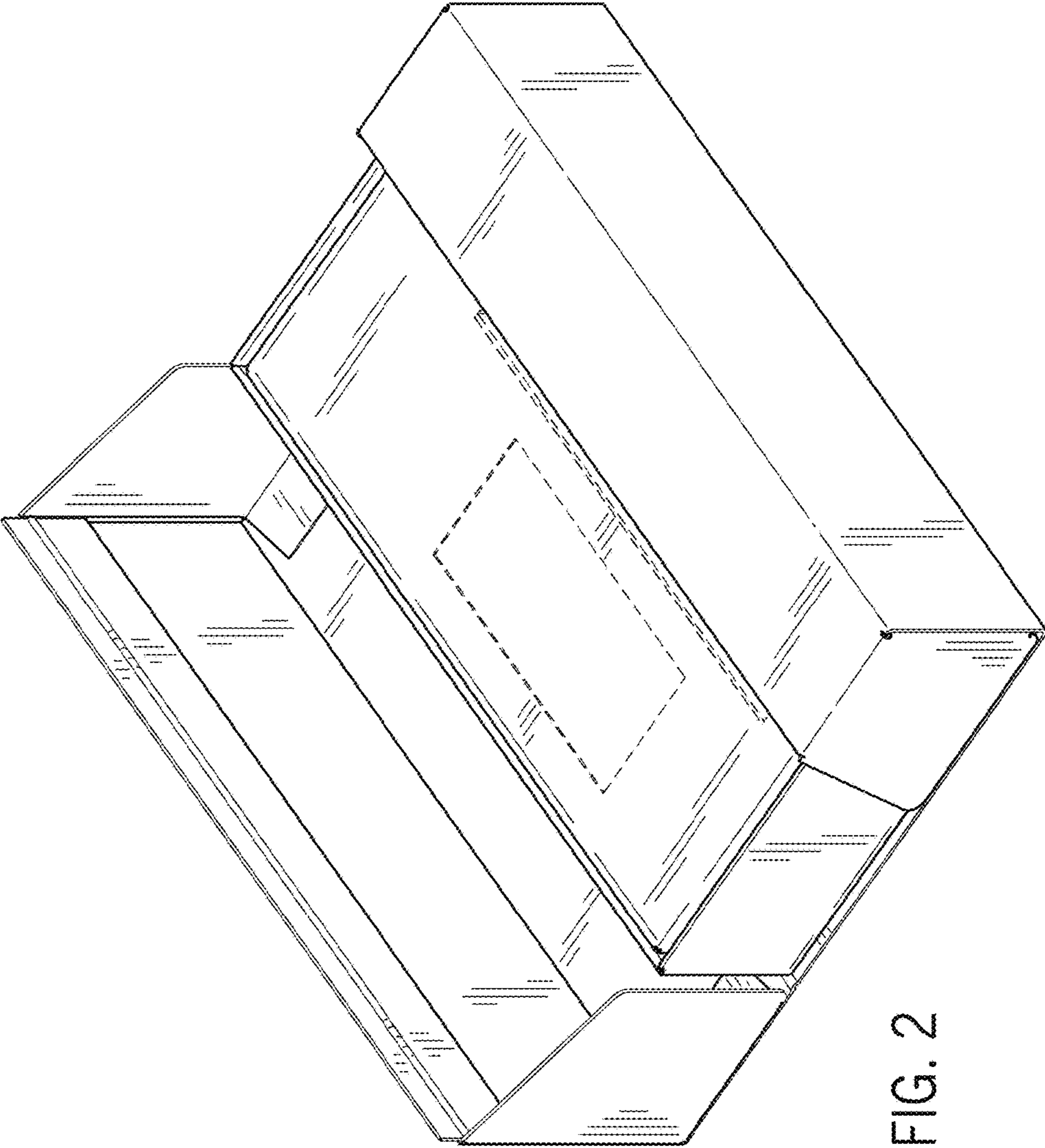


FIG. 2

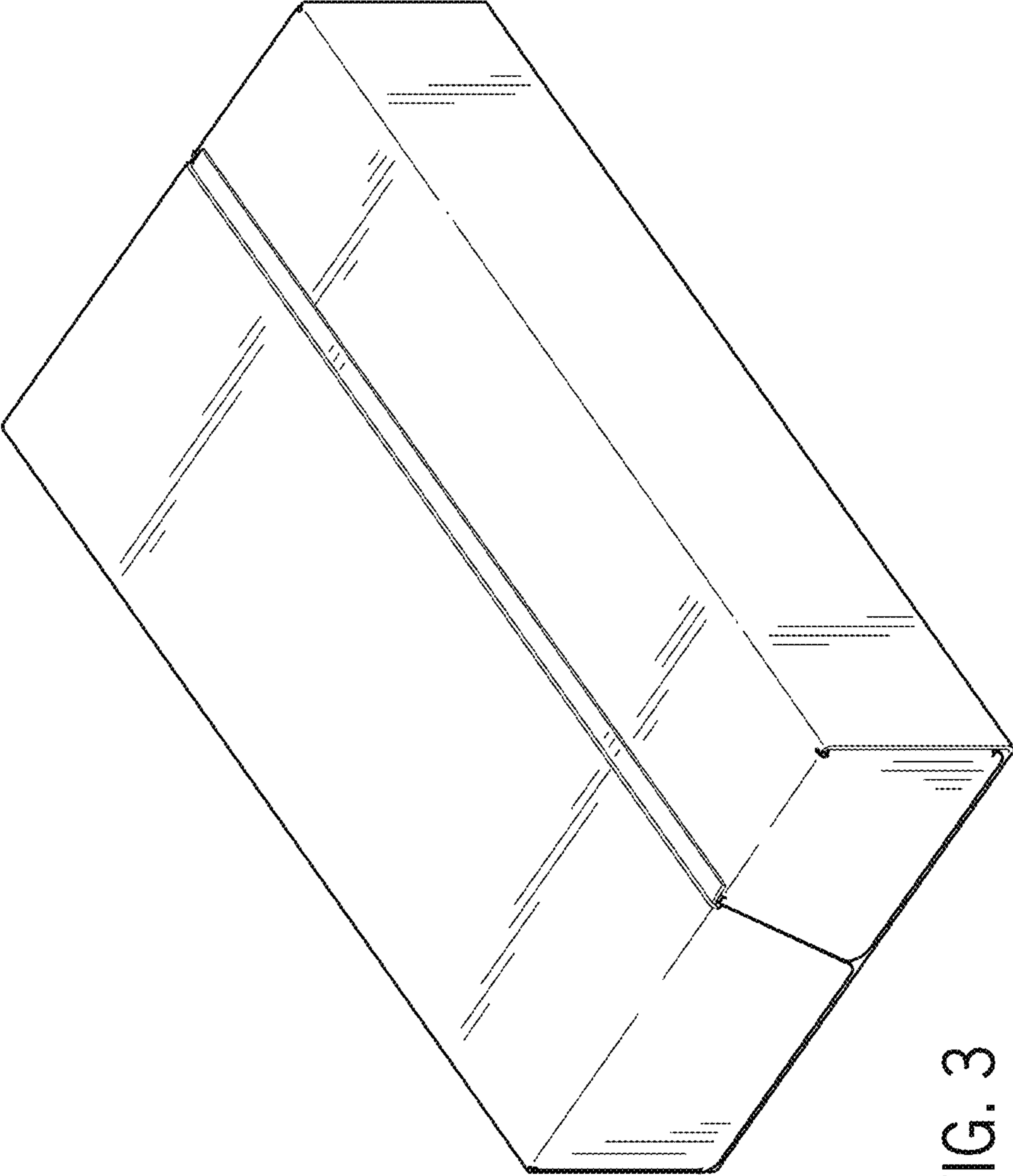


FIG. 3

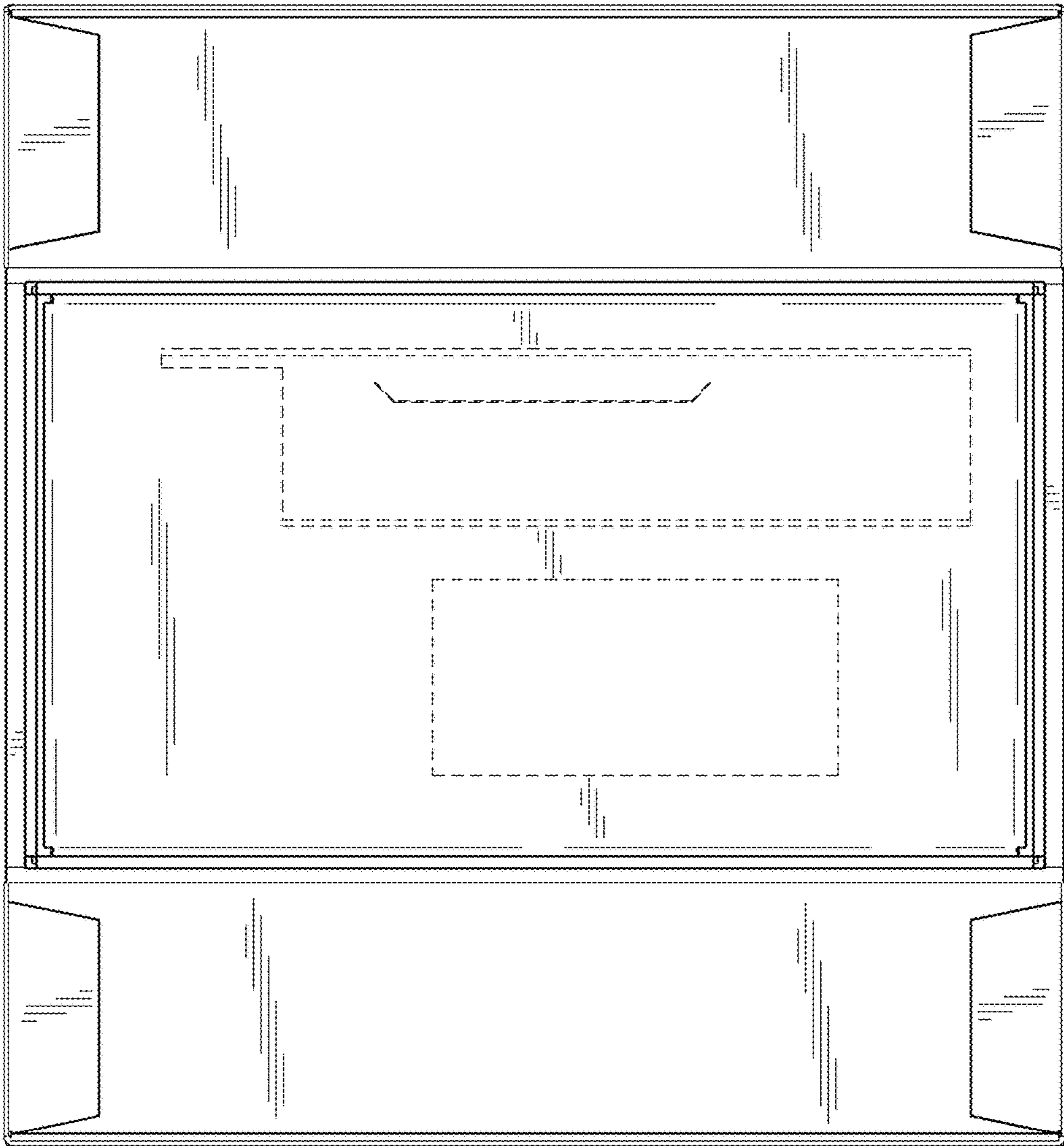


FIG. 4

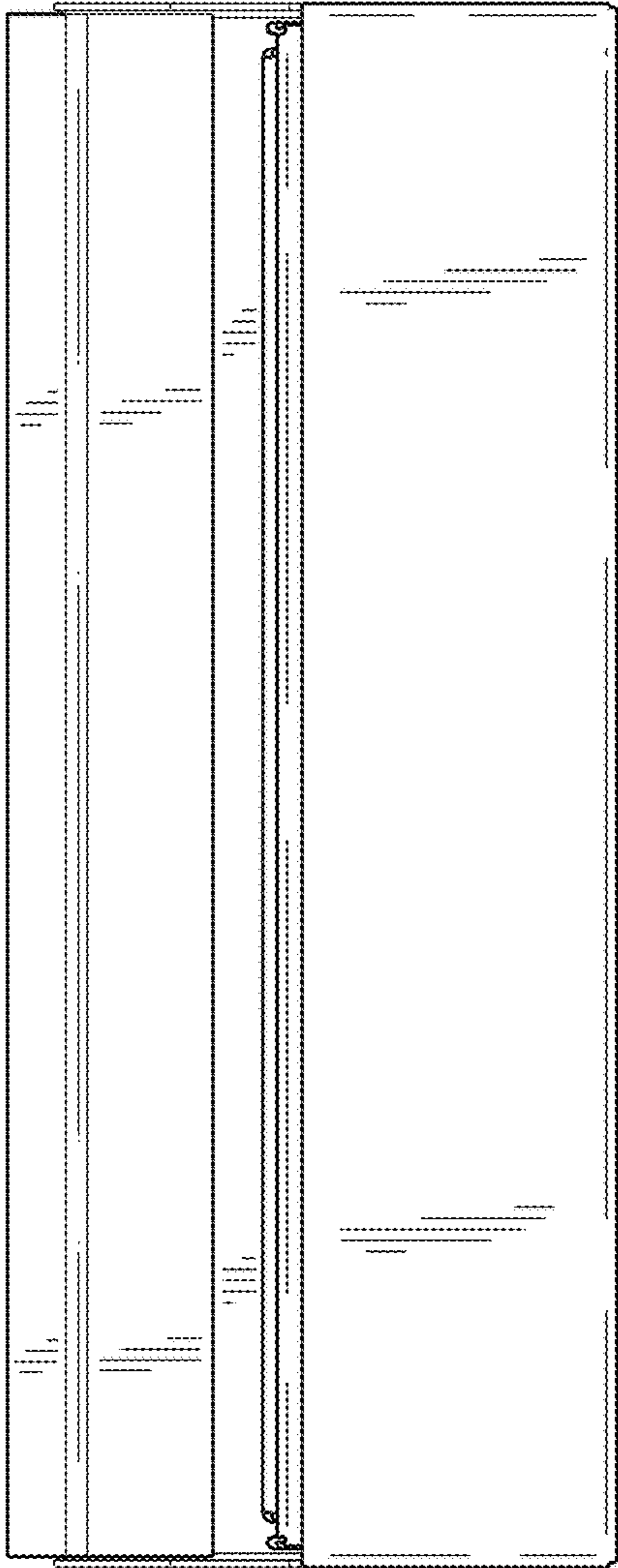


FIG. 5

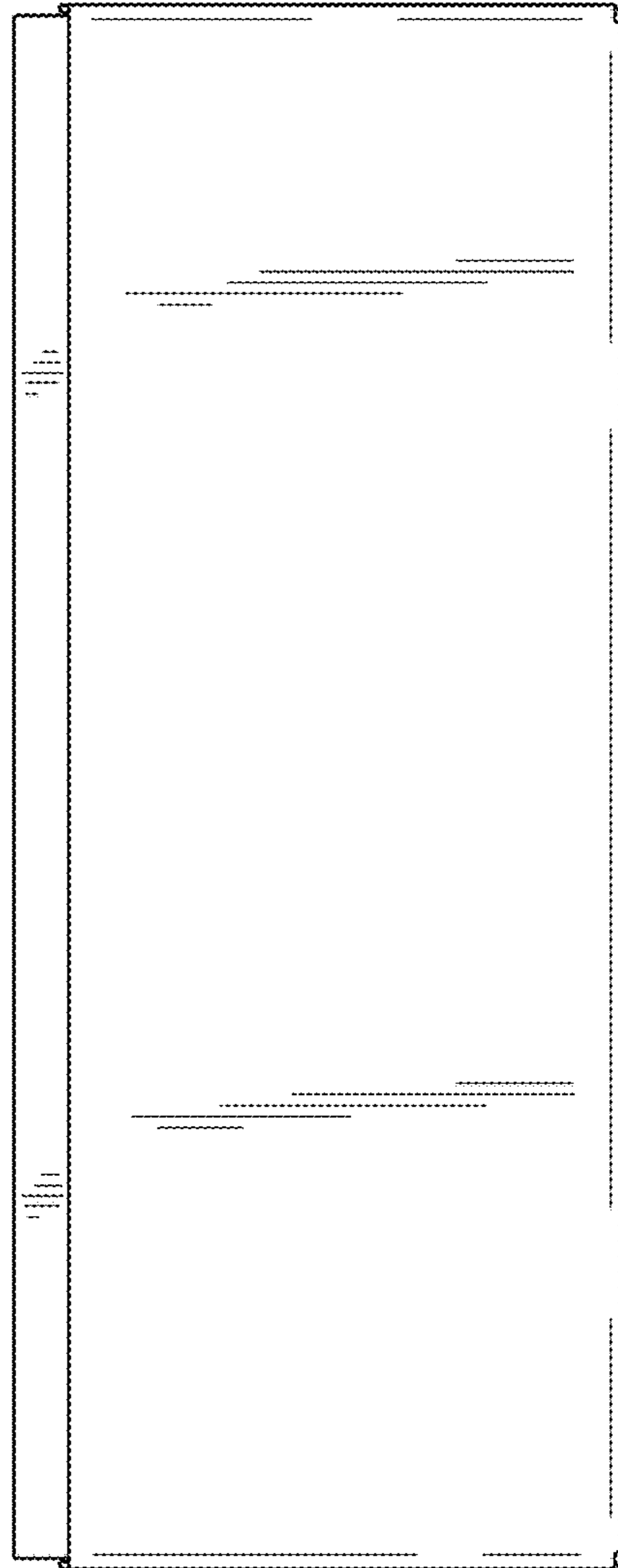


FIG. 6

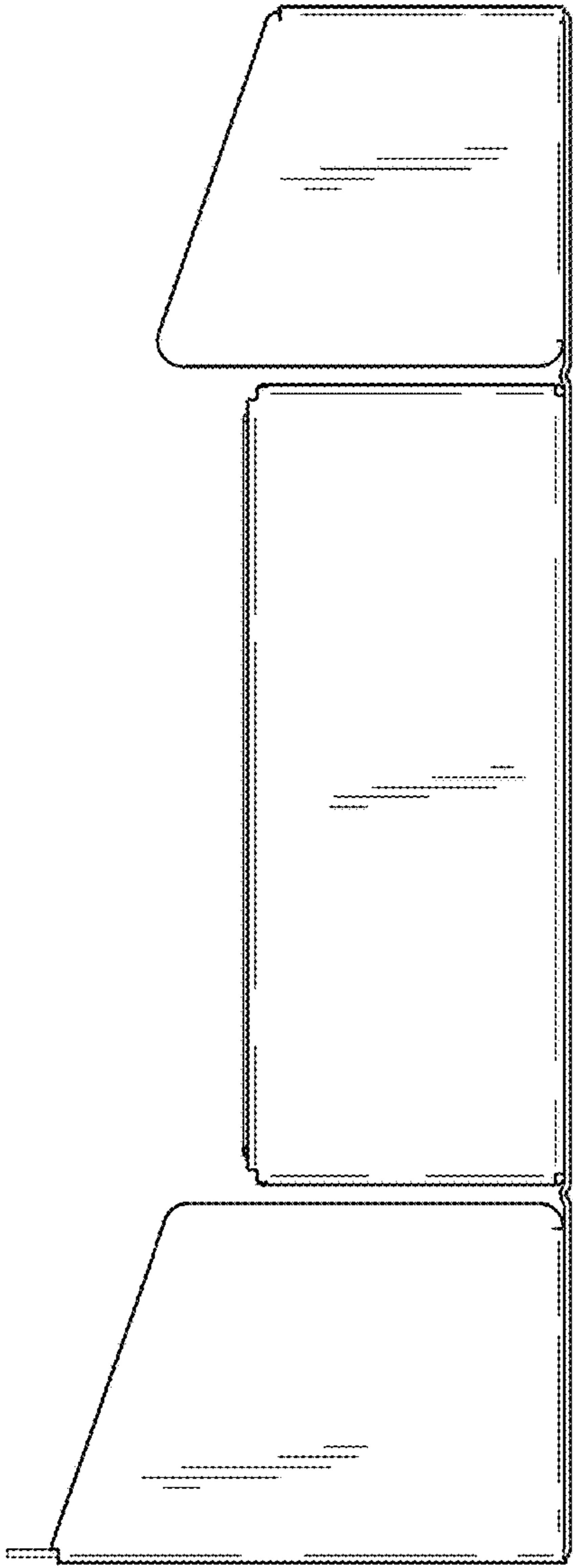


FIG. 7

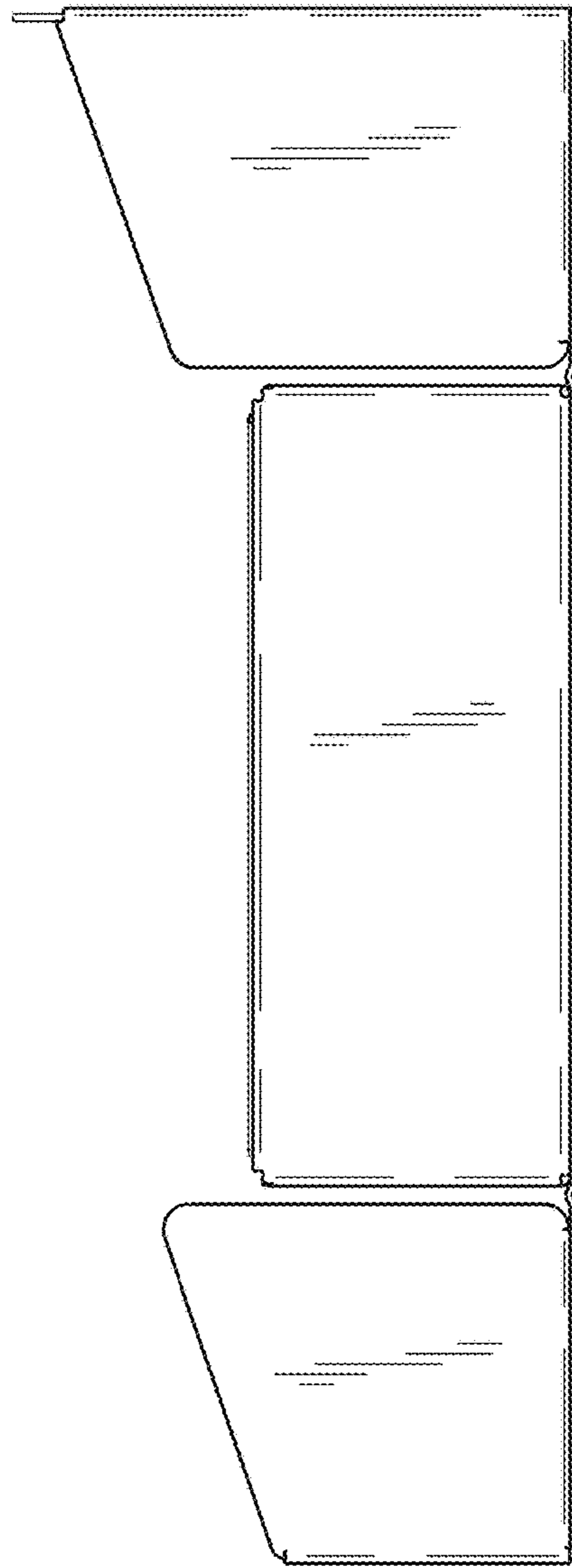


FIG. 8

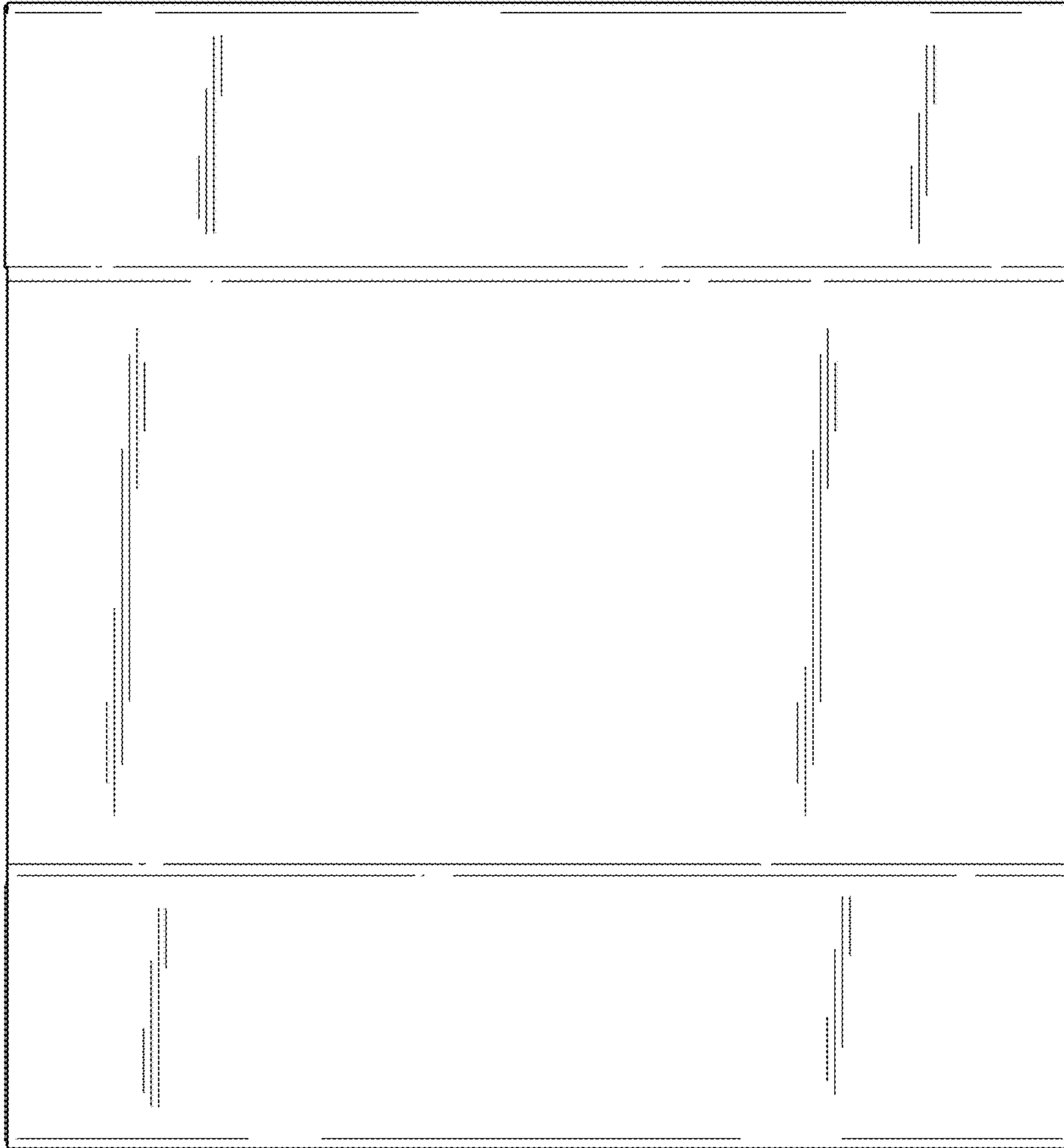


FIG. 9