



US00D864706S

(12) **United States Design Patent** (10) **Patent No.:** **US D864,706 S**
Haworth et al. (45) **Date of Patent:** **** Oct. 29, 2019**

- (54) **FENCE STRETCHING DEVICE**
- (71) Applicant: **BUSINESS INNOVATIONS, LLC**, Southwest City, MO (US)
- (72) Inventors: **Jim Haworth**, Southwest City, MO (US); **Kent Farmer**, Jay, OK (US)
- (73) Assignee: **BUSINESS INNOVATIONS, LLC**, Southwest City, MO (US)
- (**) Term: **15 Years**
- (21) Appl. No.: **29/678,280**
- (22) Filed: **Jan. 28, 2019**

Related U.S. Application Data

- (63) Continuation-in-part of application No. 29/594,940, filed on Feb. 23, 2017, now Pat. No. Des. 839,088.
- (51) **LOC (12) Cl.** **08-99**
- (52) **U.S. Cl.**
USPC **D8/499**
- (58) **Field of Classification Search**
USPC 254/256; D8/380, 381, 400, 402, 499
(Continued)

References Cited

U.S. PATENT DOCUMENTS

- 1,494,484 A * 5/1924 Hudspeth F16G 11/12
254/217
- 1,507,766 A * 9/1924 Britt B21F 9/02
140/117

(Continued)

OTHER PUBLICATIONS

Draper Wire Strainer Tool, posted at tate-fencing.co.uk, posting date not given, [online], [site visited Jun. 7, 2019], Available from Internet, URL: <http://tate-fencing.co.uk/product/draper-wire-strainer-tool/> (Year: 2019).*

(Continued)

Primary Examiner — George D. Kirschbaum
Assistant Examiner — Maria J Edwards
(74) *Attorney, Agent, or Firm* — Schrantz Law Firm, PLLC; Stephen D. Schrantz

(57) **CLAIM**

The ornamental design for a fence stretching device, as shown and described.

DESCRIPTION

A portion of the disclosure of this patent document contains material which is subject to intellectual property rights such as but not limited to copyright, trademark, and/or trade dress protection. The owner has no objection to the facsimile reproduction by anyone of the patent document or the patent disclosure as it appears in the Patent and Trademark Office patent files or records but otherwise reserves all rights whatsoever.

FIG. 1 is a perspective view of a fence stretching device with the adjustment arm inserted laterally showing my new design;

FIG. 2 is another perspective view of the fence stretching device thereof, with the adjustment arm inserted longitudinally;

FIG. 3 is another perspective view of the fence stretching device thereof, with the adjustment arm inserted laterally; FIG. 4 is another perspective view of the fence stretching device thereof, with the adjustment arm inserted longitudinally;

FIG. 5 is a front perspective view of the fence stretching device with the adjustment arm removed;

FIG. 6 is a rear perspective view thereof;

FIG. 7 is another perspective view thereof;

FIG. 8 is another perspective view thereof;

FIG. 9 is a bottom view thereof, the top view being a mirror image of the bottom view;

FIG. 10 is a front view thereof;

FIG. 11 is a rear view thereof;

FIG. 12 is a right side view thereof, the left side view being a mirror image of the right side view;

FIG. 13 is a perspective view of the adjustment arm component of the fence stretching device;

(Continued)

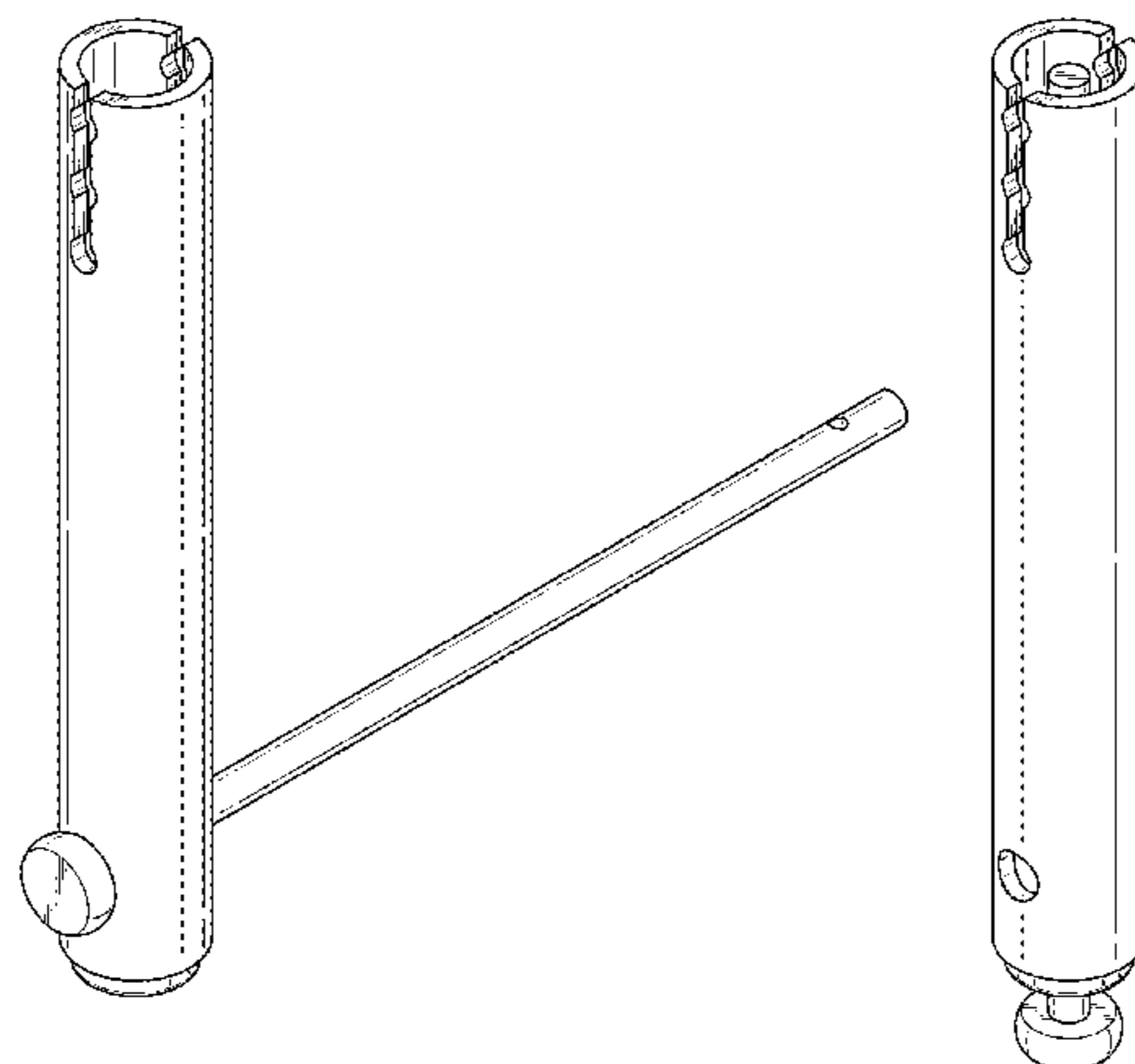


FIG. 14 is a bottom view thereof, the top view being a mirror image of the bottom view;
 FIG. 15 is a front view thereof;
 FIG. 16 is a rear view thereof; and,
 FIG. 17 is a right side view thereof, the left side view being a mirror image of the right side view.

1 Claim, 4 Drawing Sheets

(58) **Field of Classification Search**

CPC E04H 17/266; F16G 11/12; B21F 9/00;
 B21F 9/002

See application file for complete search history.

(56) **References Cited**

U.S. PATENT DOCUMENTS

1,525,961	A *	2/1925	Seal	F16G 11/12 24/115 M
2,483,193	A *	9/1949	Glaskin	F16G 11/12 254/199
2,527,877	A *	10/1950	Docken	E04H 17/10 256/37
2,538,141	A *	1/1951	Wyatt	F16G 11/12 24/135 R
2,646,963	A *	7/1953	Usher	F16G 11/12 254/108
2,673,579	A *	3/1954	Hollmig	F16G 11/12 140/123.5
2,996,283	A *	8/1961	Johnson	E04H 17/266 254/256
3,356,341	A *	12/1967	Brown	B21C 47/18 242/557
3,620,503	A *	11/1971	Bro	E04H 17/265 254/231
3,960,359	A *	6/1976	Svahn	F16B 7/06 254/231

3,990,682	A *	11/1976	Bersaw	B21F 9/00 256/37
4,046,353	A *	9/1977	Buschmann	E04H 17/266 24/132 R
4,338,977	A *	7/1982	McNully	E04H 17/266 140/123.5
4,691,897	A *	9/1987	Frush	E04F 11/1817 256/65.13
5,163,634	A *	11/1992	Moon	E04H 17/266 140/123.5
7,806,359	B1 *	10/2010	Lillig	E04H 17/266 242/403
10,138,982	B2 *	11/2018	Park	F16G 11/12
D839,088	S *	1/2019	Haworth	D8/499

OTHER PUBLICATIONS

Dutton-Lainson 400 All Purpose Fence Stretcher, posted at amazon.com, posting date Sep. 14, 2004, [online], [site visited Jun. 7, 2019], Available from Internet, URL: <https://www.amazon.com/Dutton-Lainson-400-All-Purpose-Stretcher-Splicer/dp/B00004YK6H> (Year: 2004).*

K&N41 Fence Stretcher, posted at amazon.com, posting date Sep. 23, 2018, [online], [site visited Jun. 7, 2019], Available from Internet, URL: <https://www.amazon.com/N41-Strainer-Cattle-Stretcher-Tensioner/dp/B07B6RMYP7> (Year: 2018).*

Mta Scaffold Fence Stretcher Bar, posted at amazon.com, posting date Jun. 11, 2007, [online], [site visited Jun. 7, 2019], Available from Internet, URL: <https://www.amazon.com/Mta-Scaffold-Fence-Stretcher-Only/dp/B00JH8SSSW/> (Year: 2007).*

Ranchmate PWS Stretcher Post Wire, posted at amazon.com, posting date Sep. 1, 2004, [online], [site visited Jun. 7, 2019], Available from Internet, URL: <https://www.amazon.com/Ranchmate-PWS-Post-Wire-Stretcher/dp/B00LMMDKGQ/> (Year: 2004).*

Stretcher Bar, posted at kencove.com, posting date not given, [online], [site visited Jun. 7, 2019], Available from Internet, URL: http://www.kencove.com/fence/Stretcher+Bar_detail_TSC4.php (Year: 2019).*

* cited by examiner

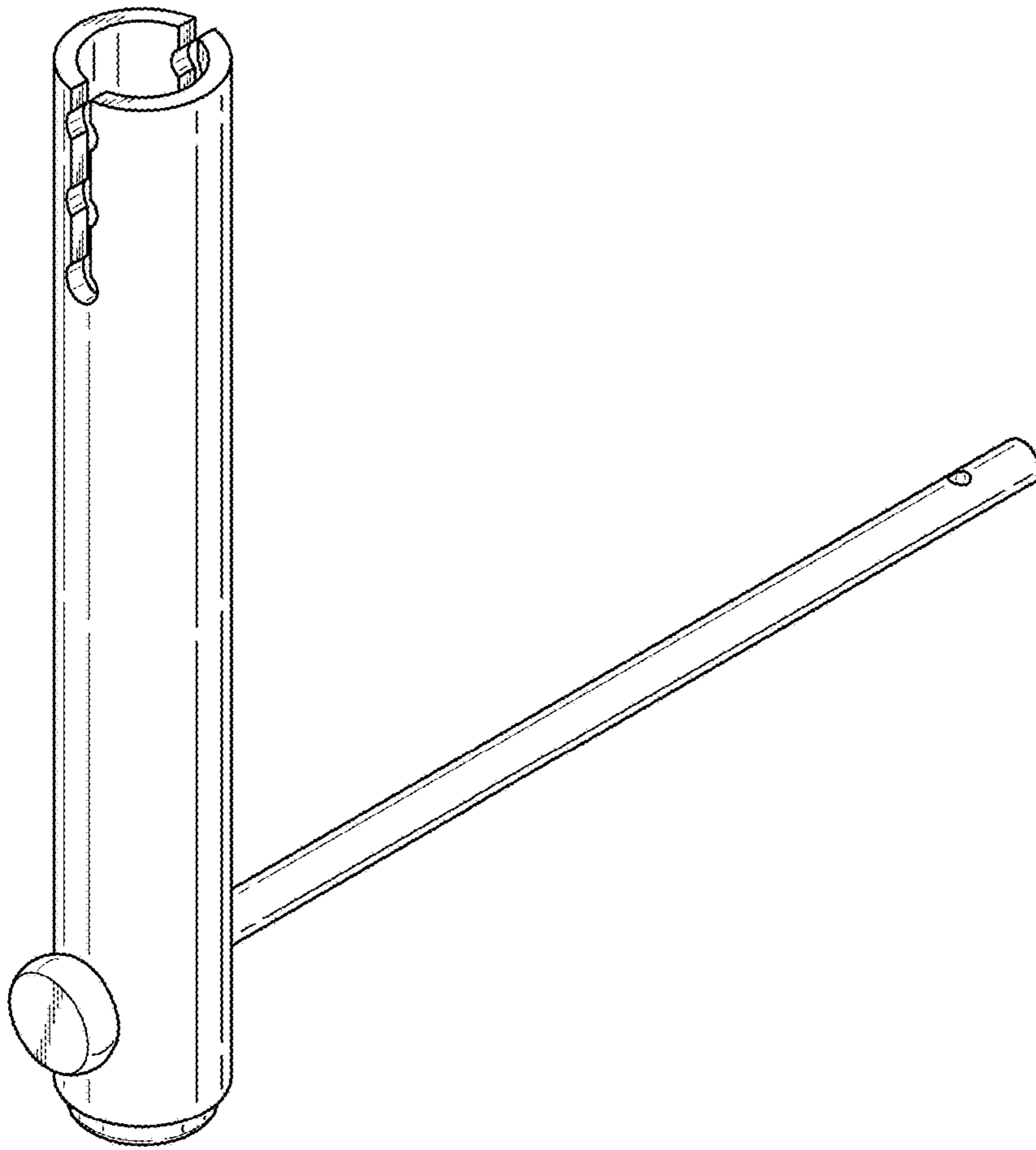


FIG. 1

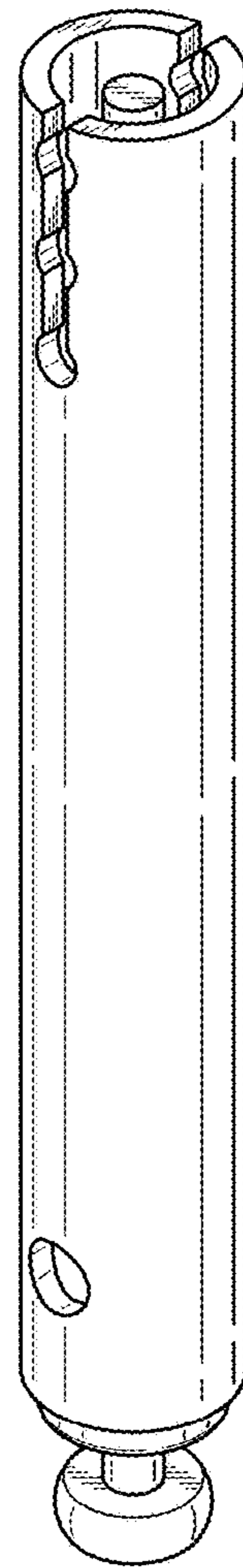
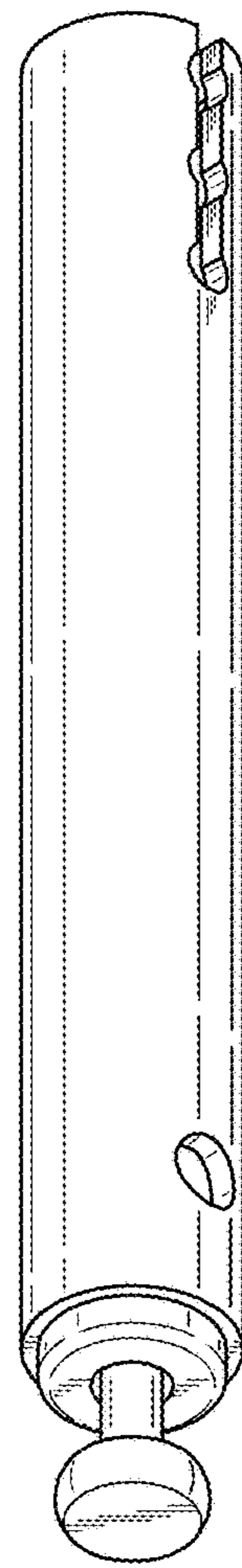
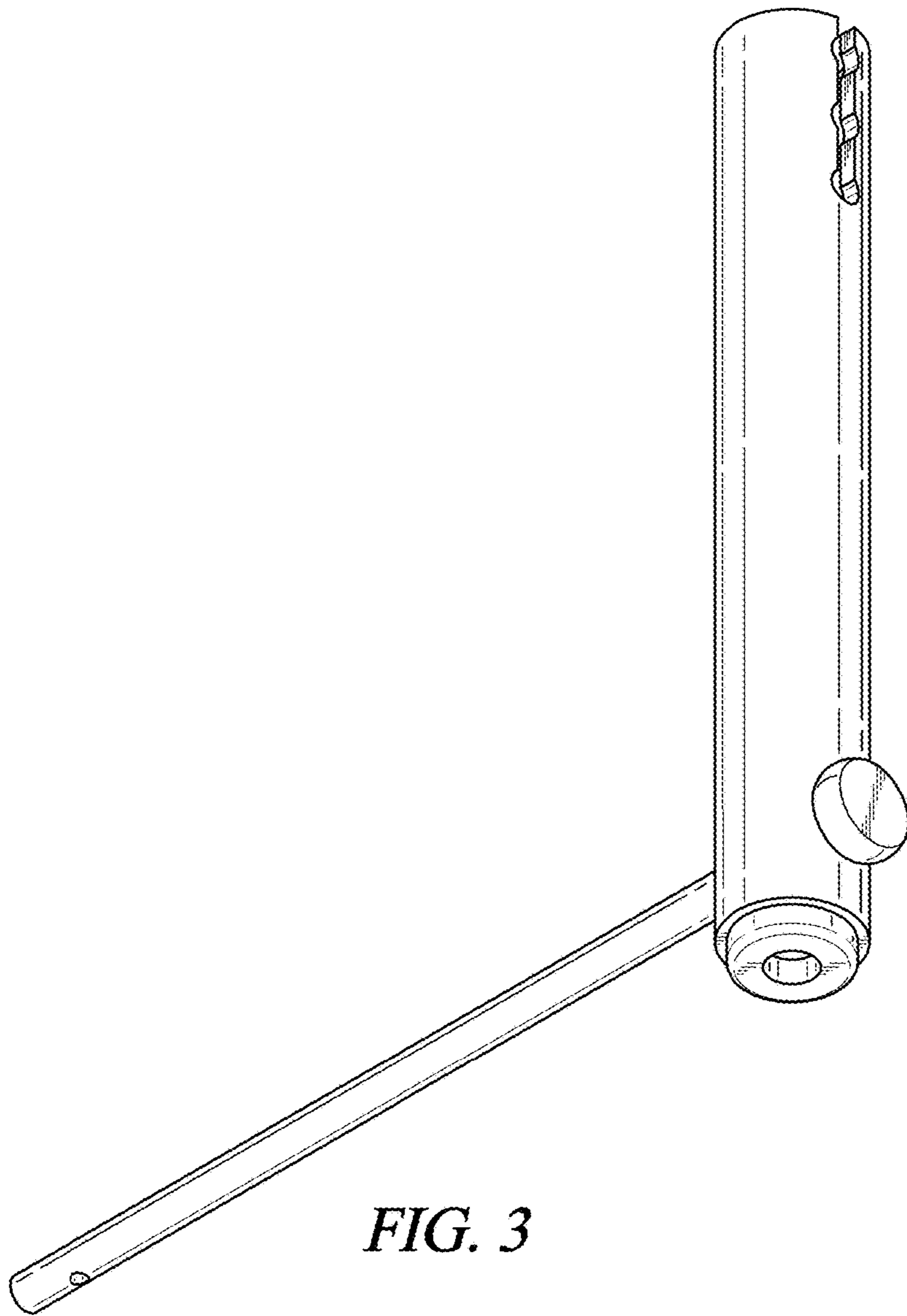


FIG. 2



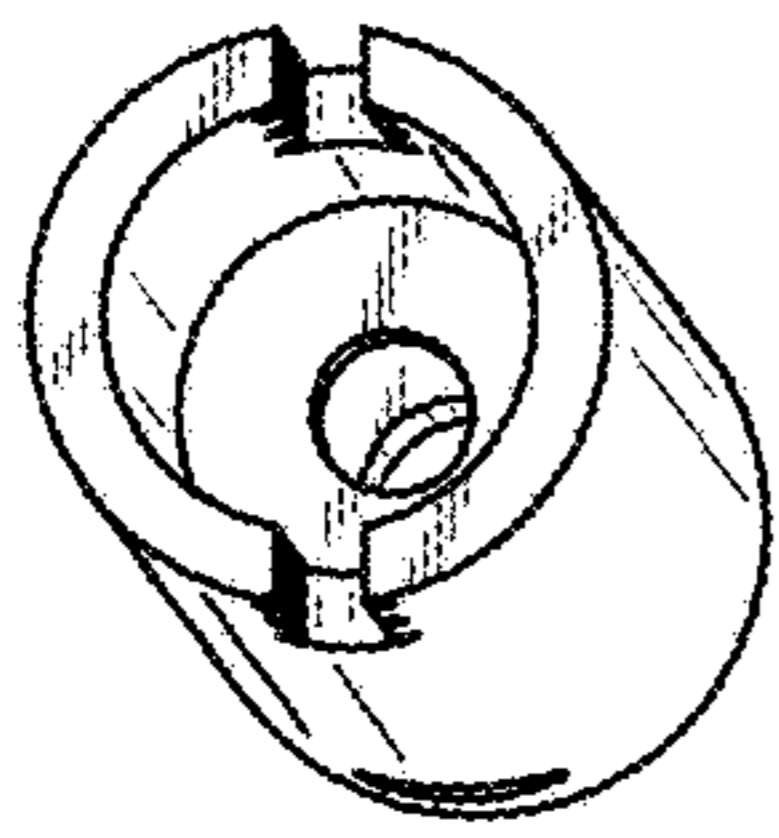


FIG. 5

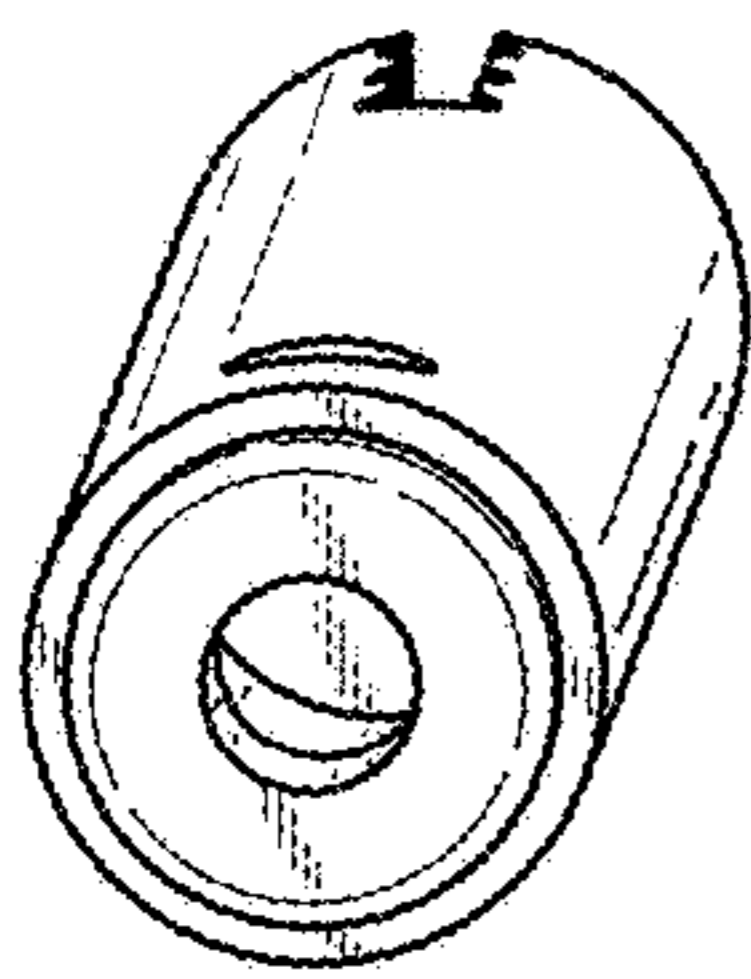


FIG. 6

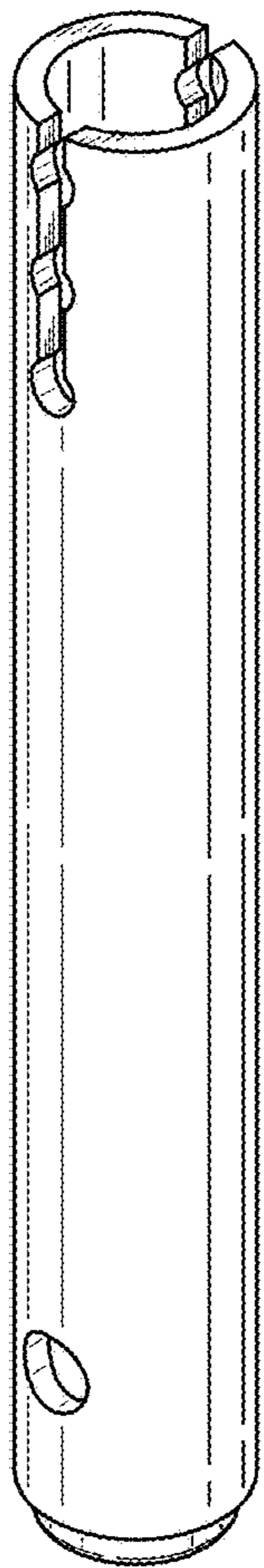


FIG. 7

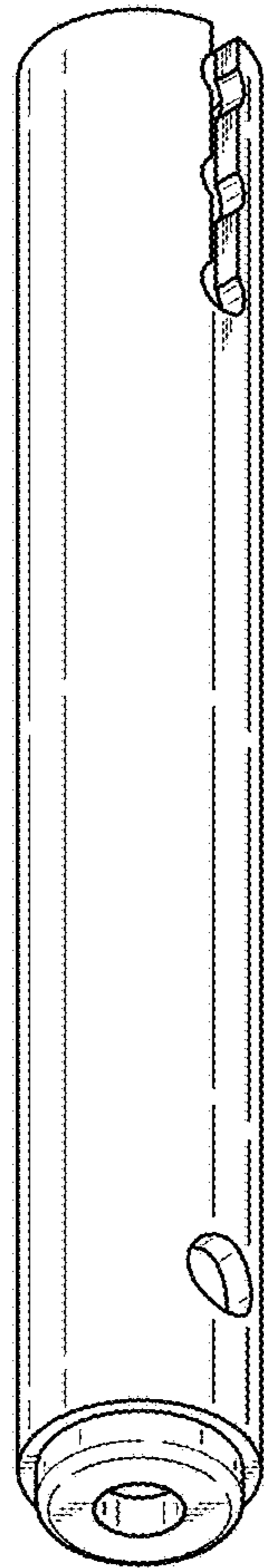


FIG. 8

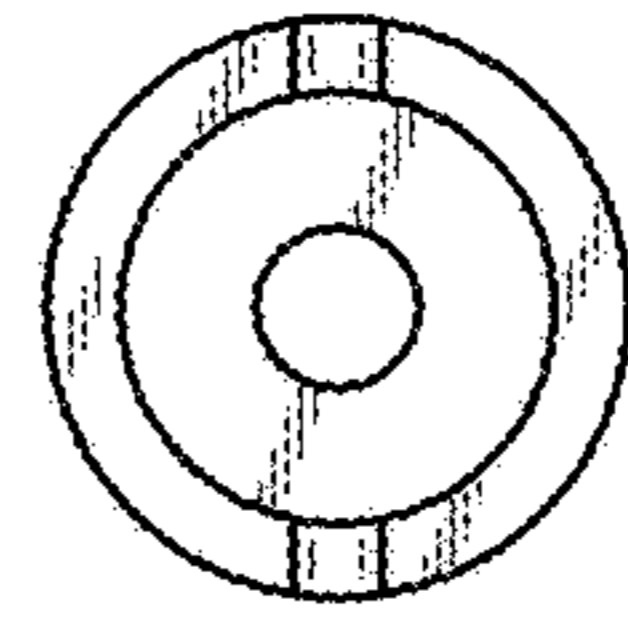


FIG. 10

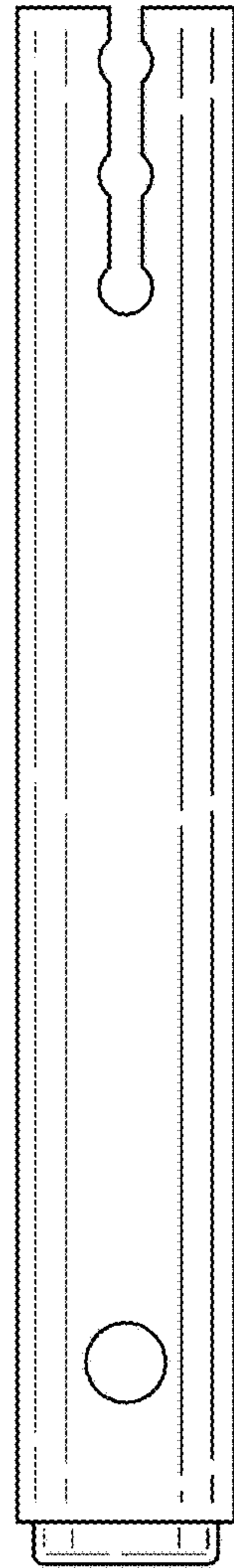


FIG. 9

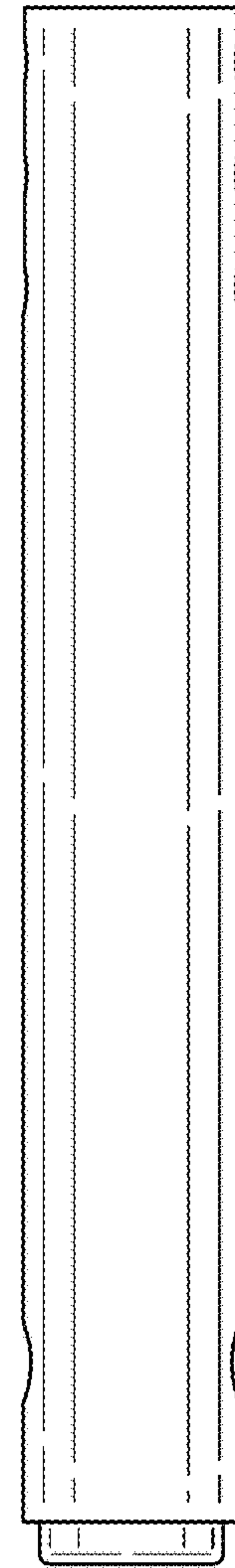


FIG. 12

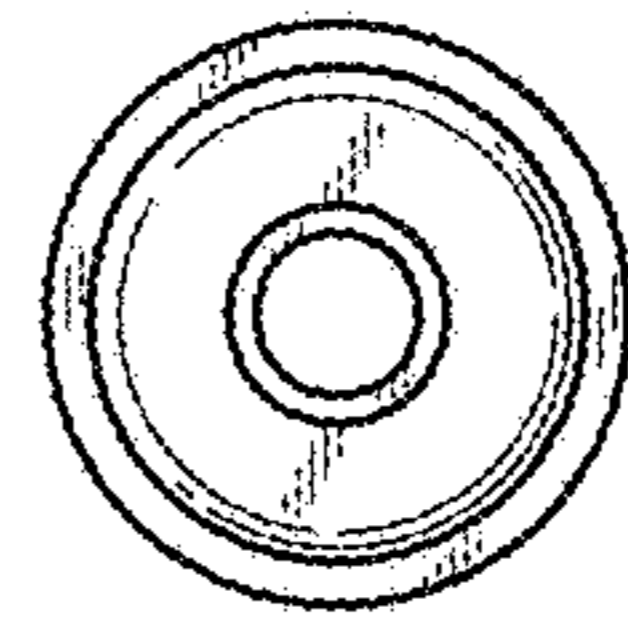


FIG. 11

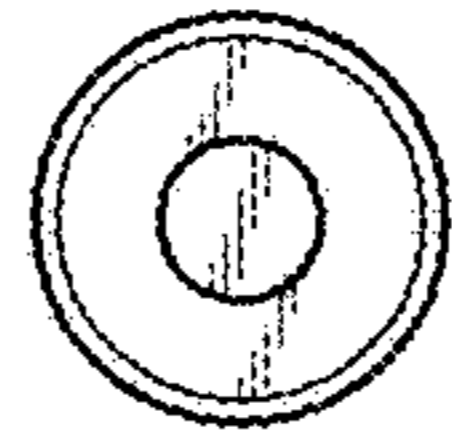


FIG. 15

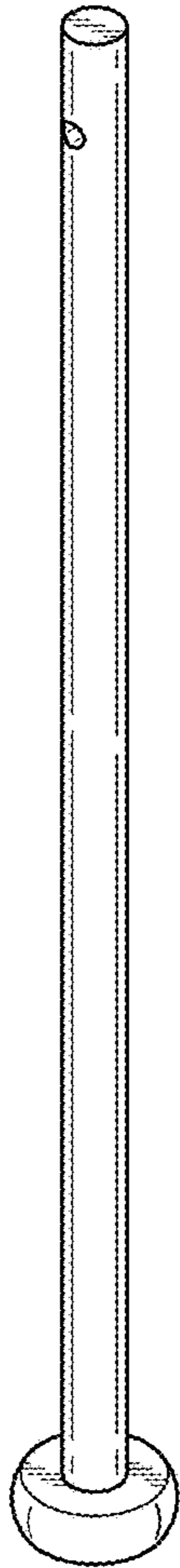


FIG. 13

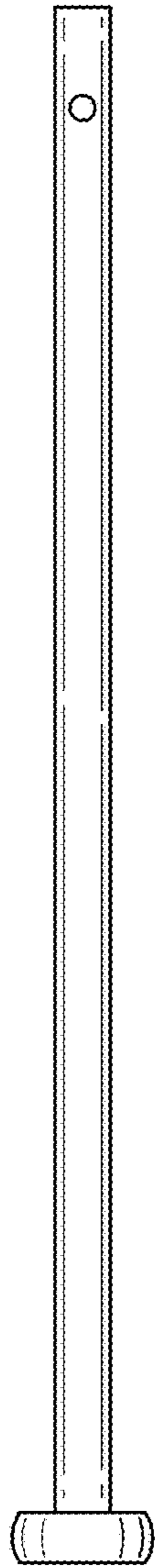


FIG. 14

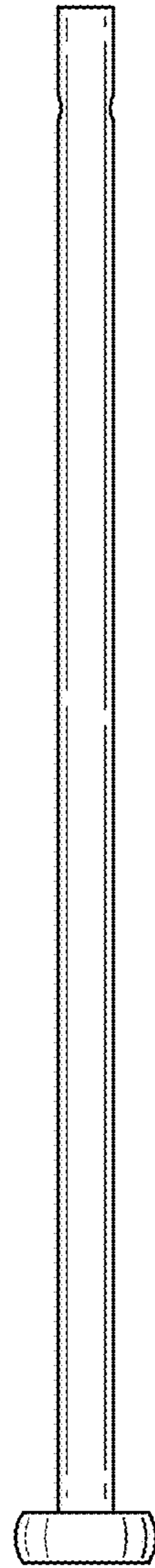


FIG. 17

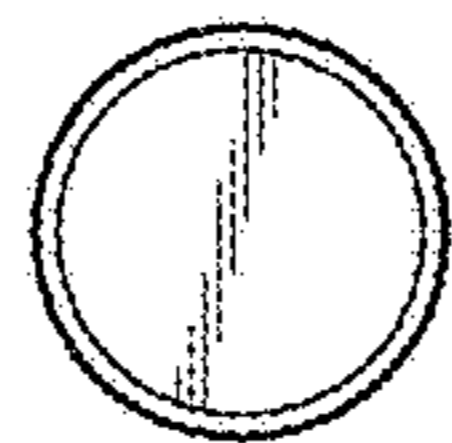


FIG. 16