



US00D864705S

(12) **United States Design Patent** (10) **Patent No.:** **US D864,705 S**  
**Jaskiewicz et al.** (45) **Date of Patent:** **\*\* Oct. 29, 2019**

- (54) **CORNER PAD**
- (71) Applicant: **Endura Products, Inc.**, Colfax, NC (US)
- (72) Inventors: **Tomasz Jaskiewicz**, Oak Ridge, NC (US); **George Heid**, Charlotte, NC (US)
- (73) Assignee: **Endura Products, Inc.**, Colfax, NC (US)
- (\*\*) Term: **15 Years**
- (21) Appl. No.: **29/677,688**
- (22) Filed: **Jan. 23, 2019**

**Related U.S. Application Data**

- (63) Continuation of application No. 29/527,557, filed on May 20, 2015, now Pat. No. Des. 843,202.
- (51) **LOC (12) Cl.** ..... **08-09**
- (52) **U.S. Cl.**  
USPC ..... **D8/403**
- (58) **Field of Classification Search**  
USPC ..... D8/403, 404; 49/467, 468, 469, 471, 49/471.1, 504  
CPC ..... E06B 1/70  
See application file for complete search history.

(56) **References Cited**

**U.S. PATENT DOCUMENTS**

3,851,420	A	12/1974	Tibbetts	
4,076,262	A	2/1978	Deventor	
D259,395	S	6/1981	Sugasawara	
4,411,104	A	10/1983	Aubin	
6,219,971	B1	4/2001	Headrick	
6,662,512	B2 *	12/2003	Westphal	..... E06B 1/6007 52/204.1
6,665,989	B2	12/2003	Bennett	
D588,905	S	3/2009	Meeks et al.	
8,127,500	B2	3/2012	Meeks et al.	

8,240,090	B2	8/2012	Meeks et al.	
8,555,551	B2	10/2013	Meeks et al.	
8,813,427	B2	8/2014	Meeks	
9,428,954	B1 *	8/2016	Jaskiewicz	..... E06B 7/2312
9,879,470	B2 *	1/2018	Clarke, Jr.	..... E05B 47/0046
D843,202	S *	3/2019	Jaskiewicz	..... D8/403
D843,598	S *	3/2019	Chapman	..... D25/60
2008/0010904	A1	1/2008	Meeks et al.	

(Continued)

**OTHER PUBLICATIONS**

Steele Rubber Products, Windshield Weatherstrip, <http://www.steelerubber.com/windshield-weatherstrip-60/0055-52>, known at least as early as Mar. 16, 2013, last viewed Aug. 18, 2015. 1 pg.

(Continued)

*Primary Examiner* — Janice Hallmark

*Assistant Examiner* — Harold E Blackwell, II

(74) *Attorney, Agent, or Firm* — Womble Bond Dickinson (US) LLP

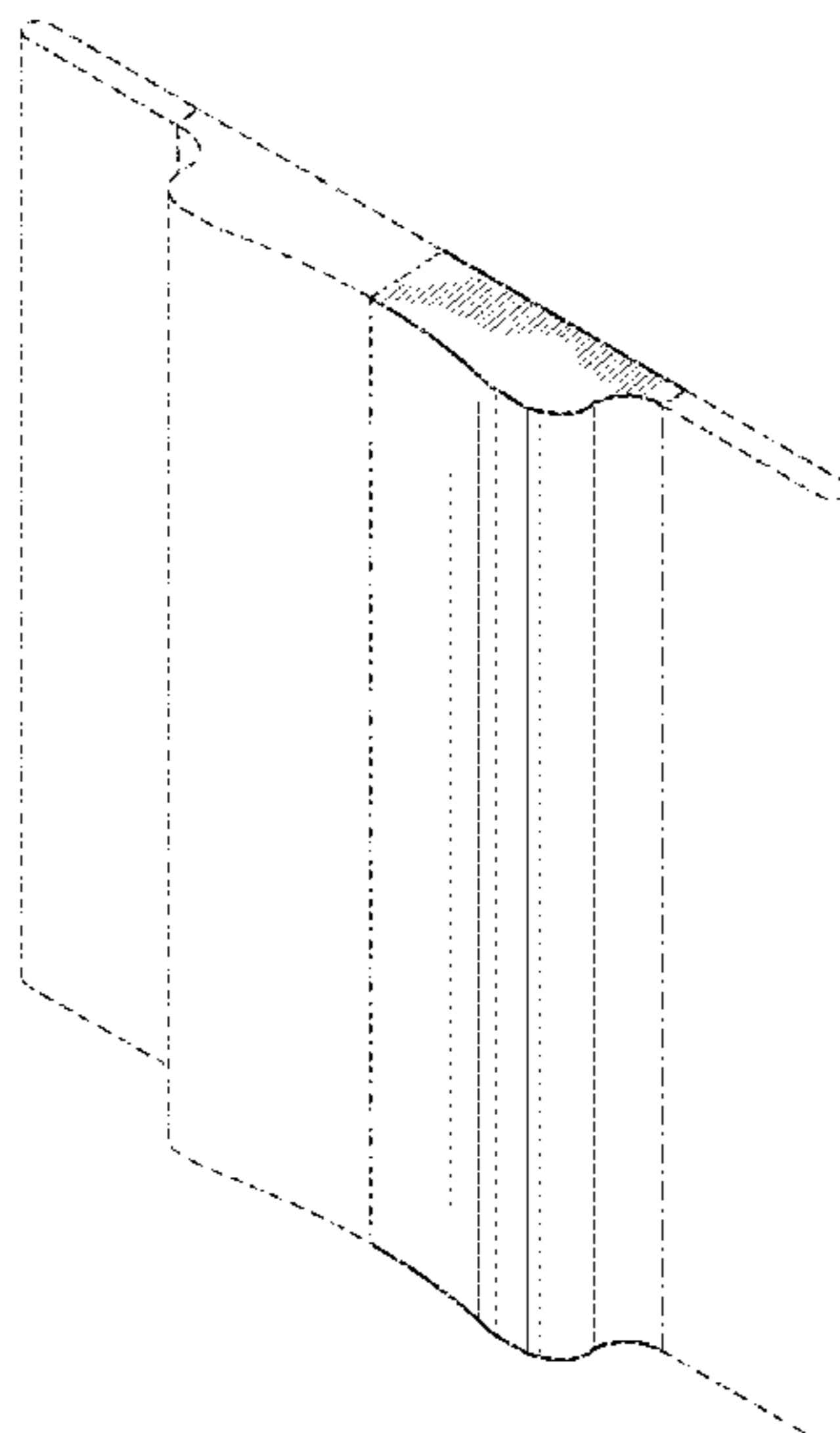
(57) **CLAIM**

The ornamental design for a corner pad, as shown and described.

**DESCRIPTION**

FIG. 1 is a perspective view of our new design.  
 FIG. 2 is a front view thereof.  
 FIG. 3 is a side view thereof.  
 FIG. 4 is a top view thereof; and,  
 FIG. 5 is a perspective view thereof in a representative unclaimed environment.  
 The dash-dot lines in the Figures represent unclaimed boundaries of the claimed design. The dash-dash lines in the Figures represent portions and environmental elements that form no part of the claimed design. The ornamentation of the unshaded top surface of the corner pad forms no part of the claimed design.

**1 Claim, 5 Drawing Sheets**



(56)

**References Cited**

U.S. PATENT DOCUMENTS

2009/0084041 A1 4/2009 Foster et al.  
2012/0137605 A1\* 6/2012 Sibbett ..... E06B 1/32  
52/204.1  
2015/0096235 A1\* 4/2015 Rochman ..... E06B 1/70  
49/470

OTHER PUBLICATIONS

Zoro Weatherstrip, <http://www.zoro.com/i/G0455287/>, known at least as early as Mar. 16, 2013, last viewed Aug. 18, 2015, 3 pgs.  
Endura Simple Solution Corner Pad Weathersealing. BetterDoor, <https://www.betterdoor.com/shop/weathersealing/endure-simple-solution-corner-pad/>; known at least as early as Oct. 10, 2018. 4 pgs.

\* cited by examiner

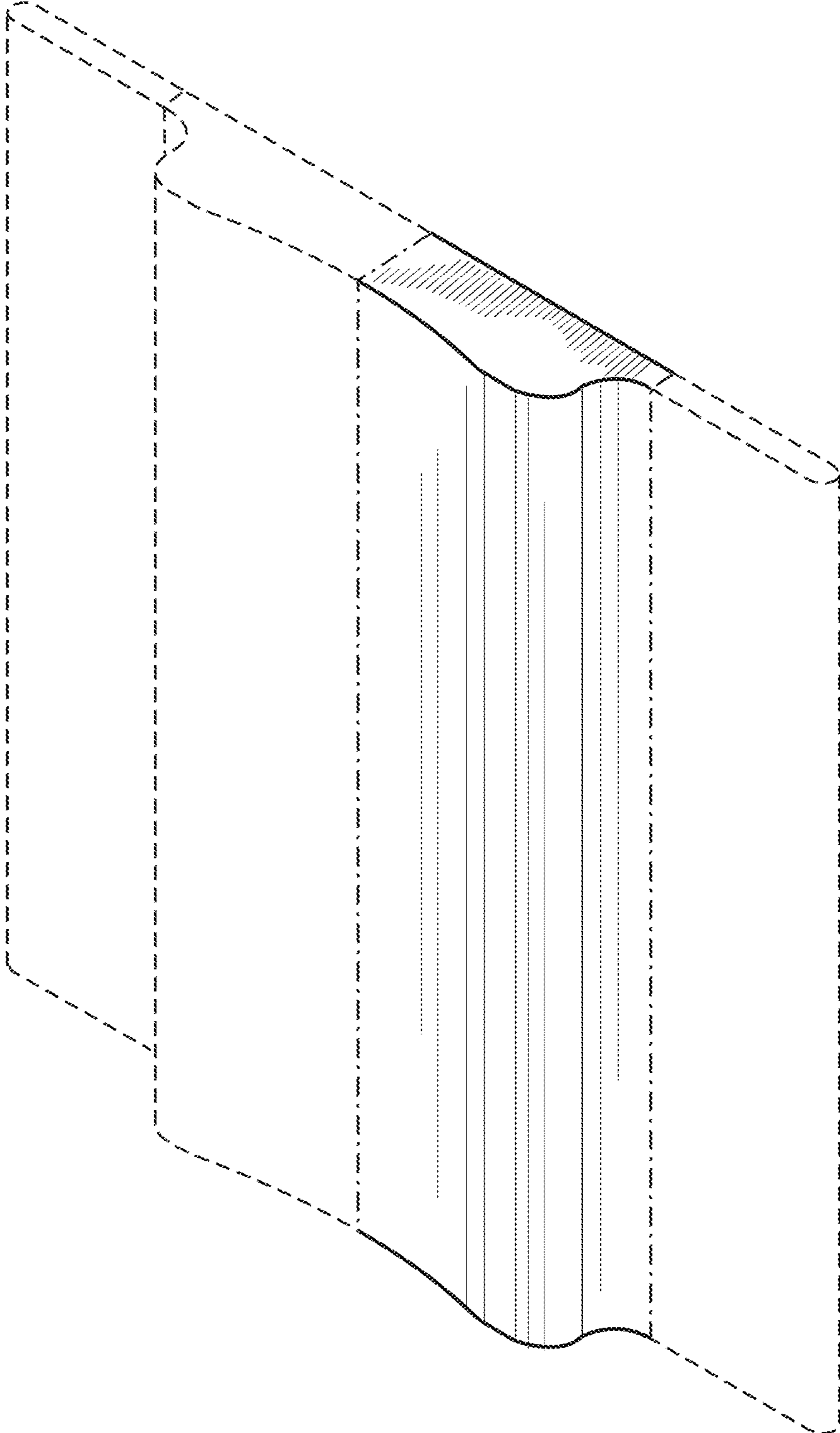
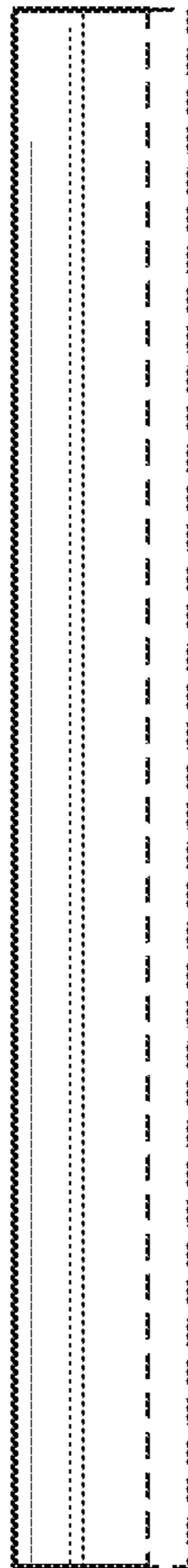
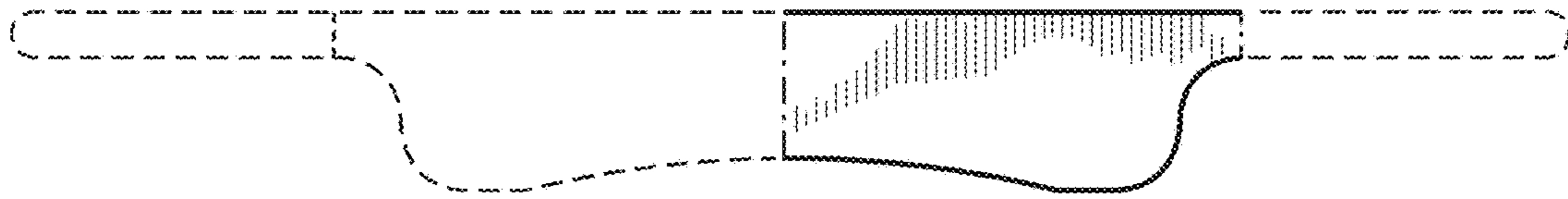


FIG. 1





**FIG. 3**



**FIG. 4**

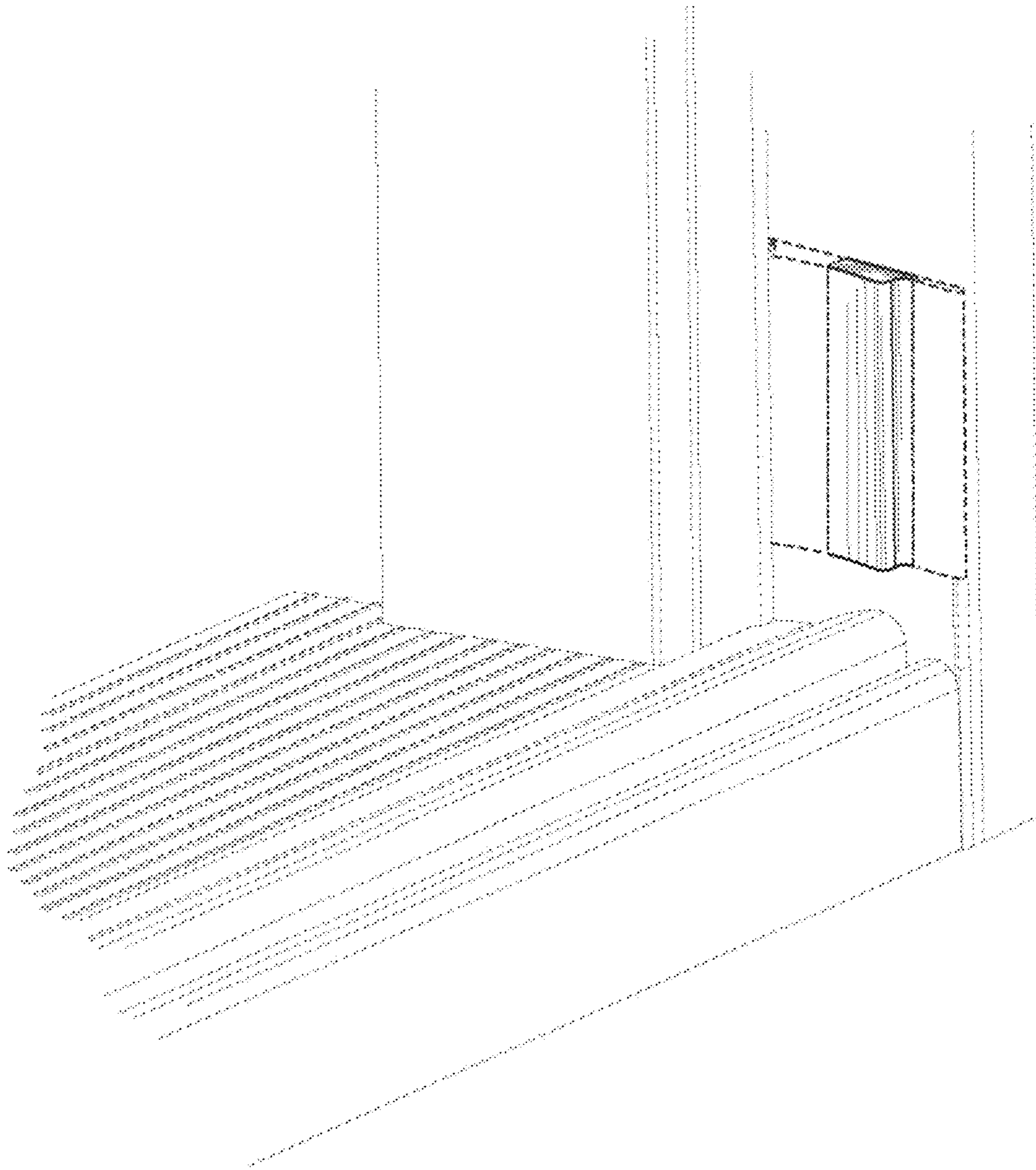


FIG. 5