



US00D864702S

(12) **United States Design Patent**
Hagspiel

(10) **Patent No.:** **US D864,702 S**

(45) **Date of Patent:** **** Oct. 29, 2019**

(54) **DOWEL**

(71) Applicant: **JULIUS BLUM GMBH**, Höchst (AT)

(72) Inventor: **Dominik Hagspiel**, Höchst (AT)

(73) Assignee: **Julius Blum GmbH**, Hoechst (AT)

(**) Term: **15 Years**

(21) Appl. No.: **35/504,898**

(22) Filed: **Nov. 7, 2017**

(80) **Hague Agreement Data**

Int. Filing Date: **Nov. 7, 2017**

Int. Reg. No.: **DM/098543**

Int. Reg. Date: **Nov. 7, 2017**

Int. Reg. Pub. Date: **May 11, 2018**

(30) **Foreign Application Priority Data**

May 9, 2017 (EM) 003991579-0002

May 9, 2017 (EM) 003991579-0004

May 9, 2017 (EM) 003991579-0005

(51) **LOC (12) Cl.** **08-08**

(52) **U.S. Cl.**
USPC **D8/387**

(58) **Field of Classification Search**
USPC D8/349, 382, 384, 385, 387
CPC Y10T 24/45262; F16B 21/02; F16B 21/04
See application file for complete search history.

(56) **References Cited**

U.S. PATENT DOCUMENTS

- D221,376 S * 8/1971 Tildesley D8/382
- D241,008 S * 8/1976 Di Loreto D8/354
- 5,159,782 A * 11/1992 Sales E05B 17/0012
206/325
- 5,651,634 A * 7/1997 Kraus F16B 5/0628
403/331
- D383,378 S * 9/1997 Schrader D23/262

- D467,161 S * 12/2002 Klenck D8/382
- D531,888 S * 11/2006 Barnes D8/382
- 7,223,268 B2 * 5/2007 Biedermann A61B 17/7032
606/308
- 7,635,380 B2 * 12/2009 Zucherman A61B 17/7035
606/267
- D622,582 S * 8/2010 Lottner D8/387
- D679,170 S * 4/2013 Else D8/349
- D734,138 S * 7/2015 Hurrle D8/387
- D752,963 S * 4/2016 Kaupp D8/385
- D771,482 S * 11/2016 Nehl D8/385
- 9,610,880 B2 * 4/2017 Masanek, Jr. B60N 3/044
- D799,949 S * 10/2017 Stevenson A61B 17/7037
D8/387
- D802,407 S * 11/2017 Foerster, Jr. D8/387
- 9,845,061 B2 * 12/2017 Courtin F16B 5/0628
- D807,158 S * 1/2018 Wu D8/382
- D834,930 S * 12/2018 Szucs D8/382
- 2002/0102146 A1 * 8/2002 Wheeler F16B 37/127
411/178

(Continued)

Primary Examiner — Deanna L Pratt

(74) *Attorney, Agent, or Firm* — Wenderoth, Lind & Ponack, L.L.P.

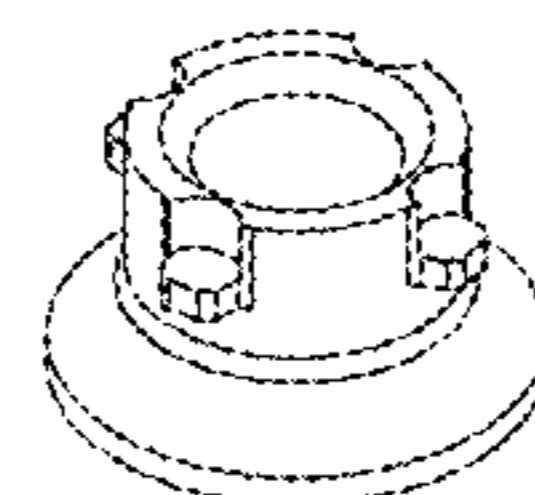
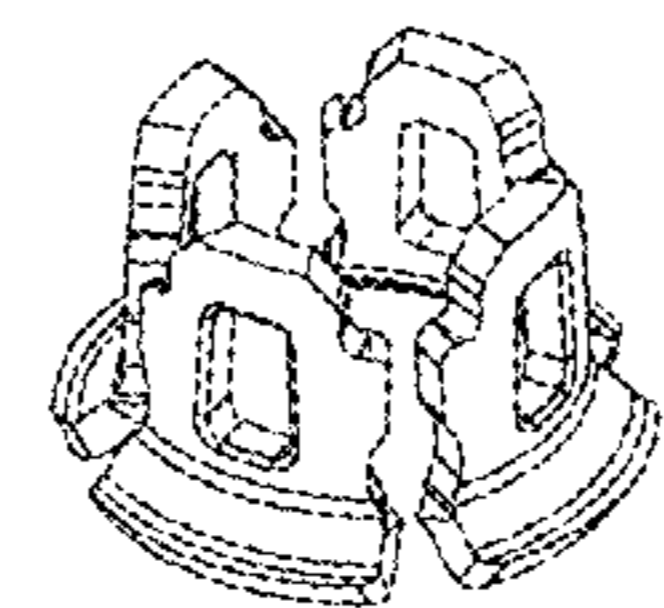
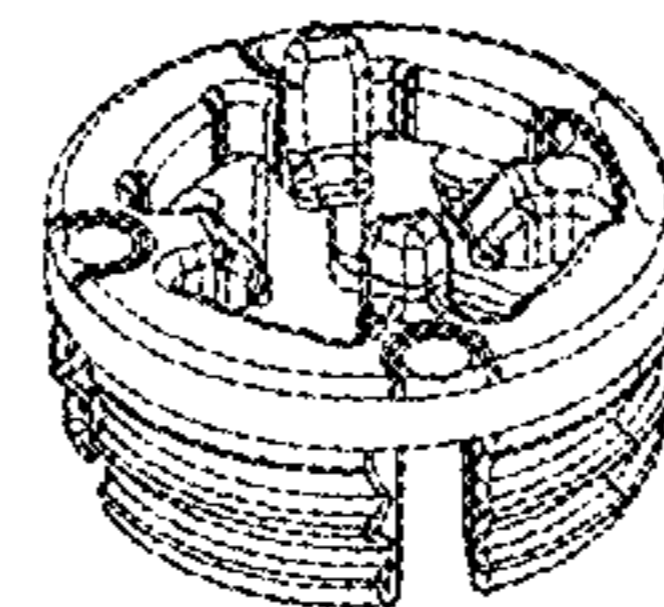
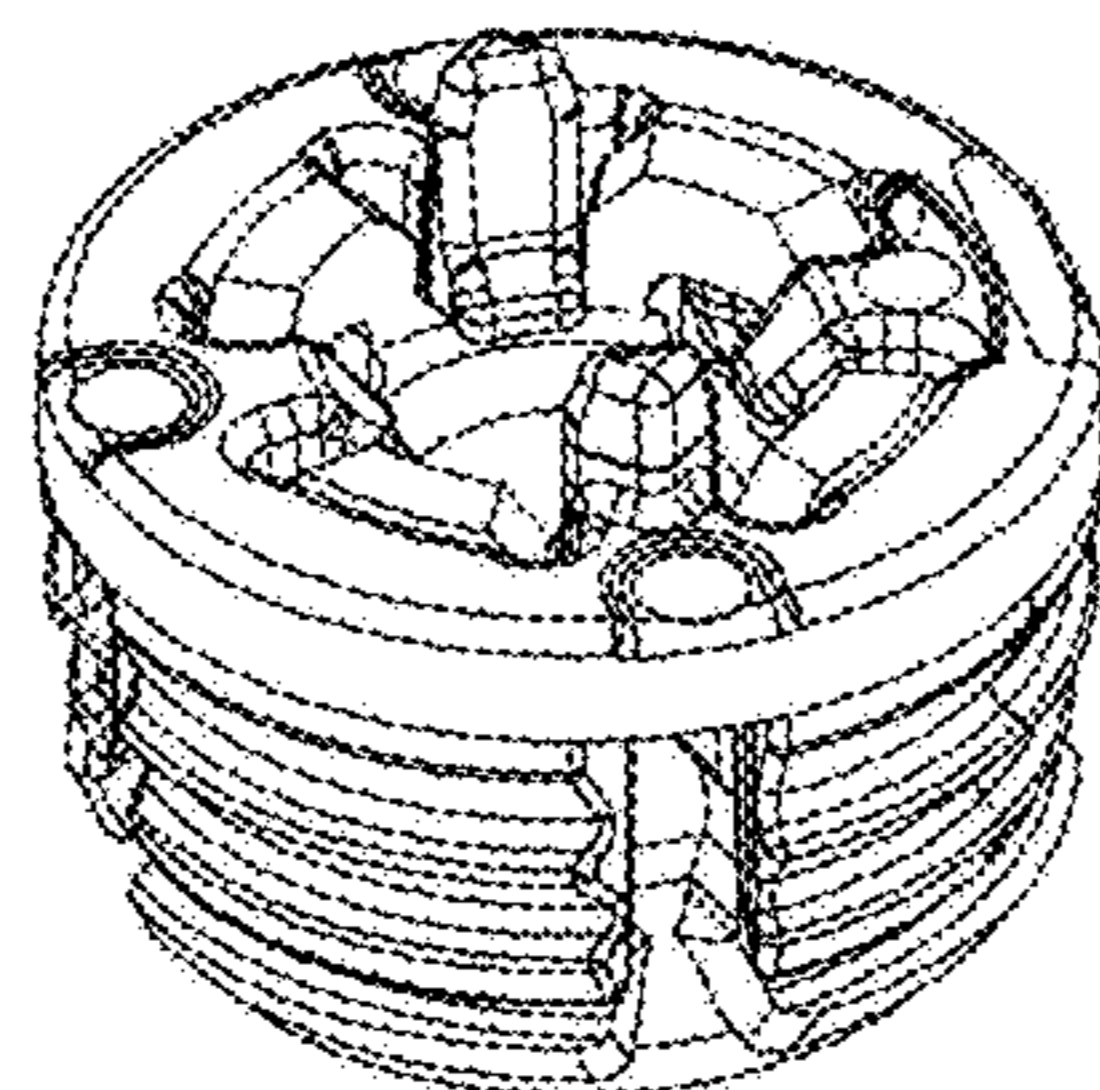
(57) **CLAIM**

The ornamental design for a dowel, as shown and described.

DESCRIPTION

- 1. Dowel
- 1.1 : Perspective
- 1.2 : Top
- 1.3 : Bottom
- 1.4 : Back
- 1.5 : Right
- 1.6 : Front
- 1.7 : Left
- 1.8 : Exploded
- 1.9 : Cross-sectional
- 1.10 : Cross-sectional

1 Claim, 10 Drawing Sheets



(56)

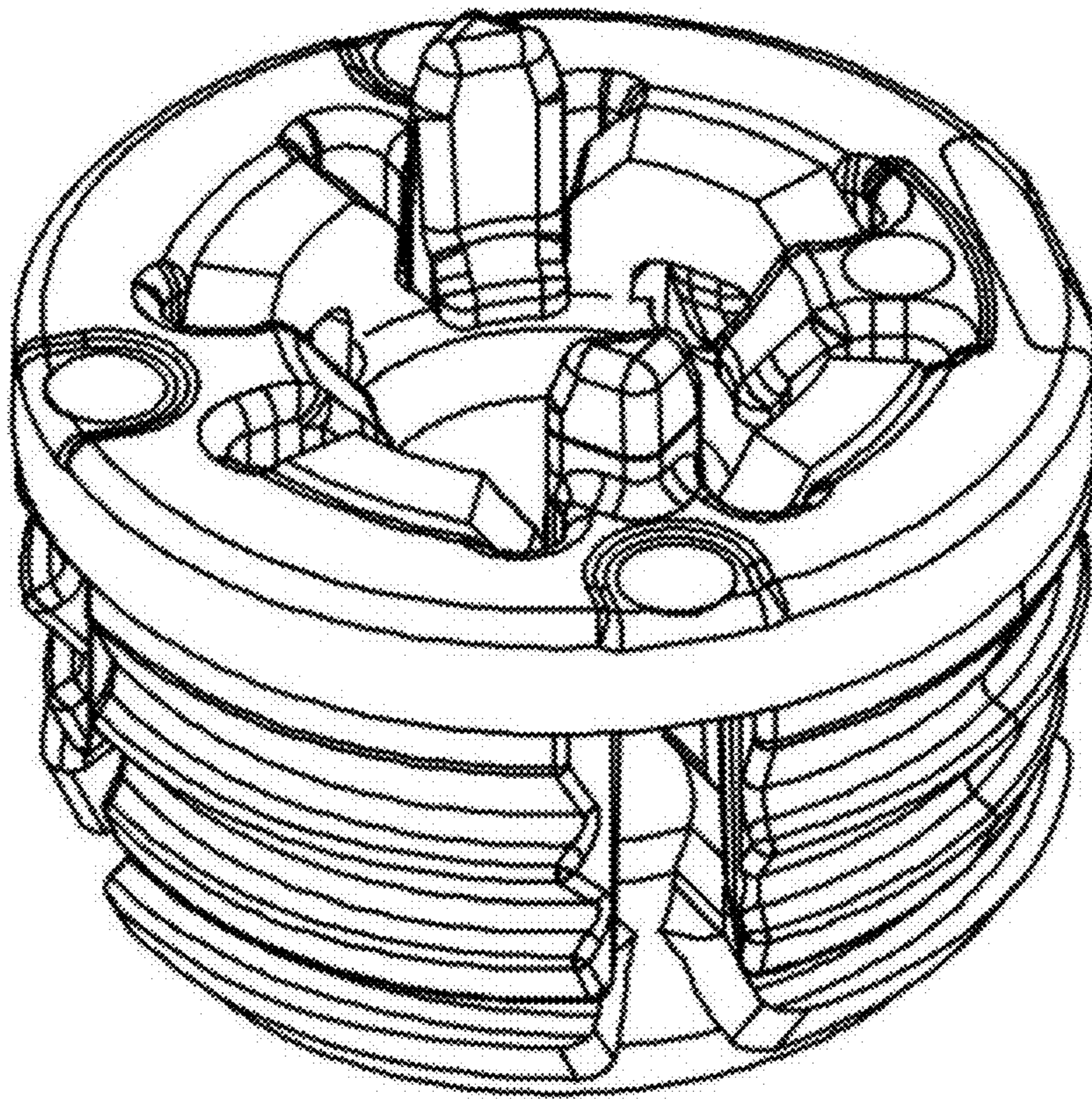
References Cited

U.S. PATENT DOCUMENTS

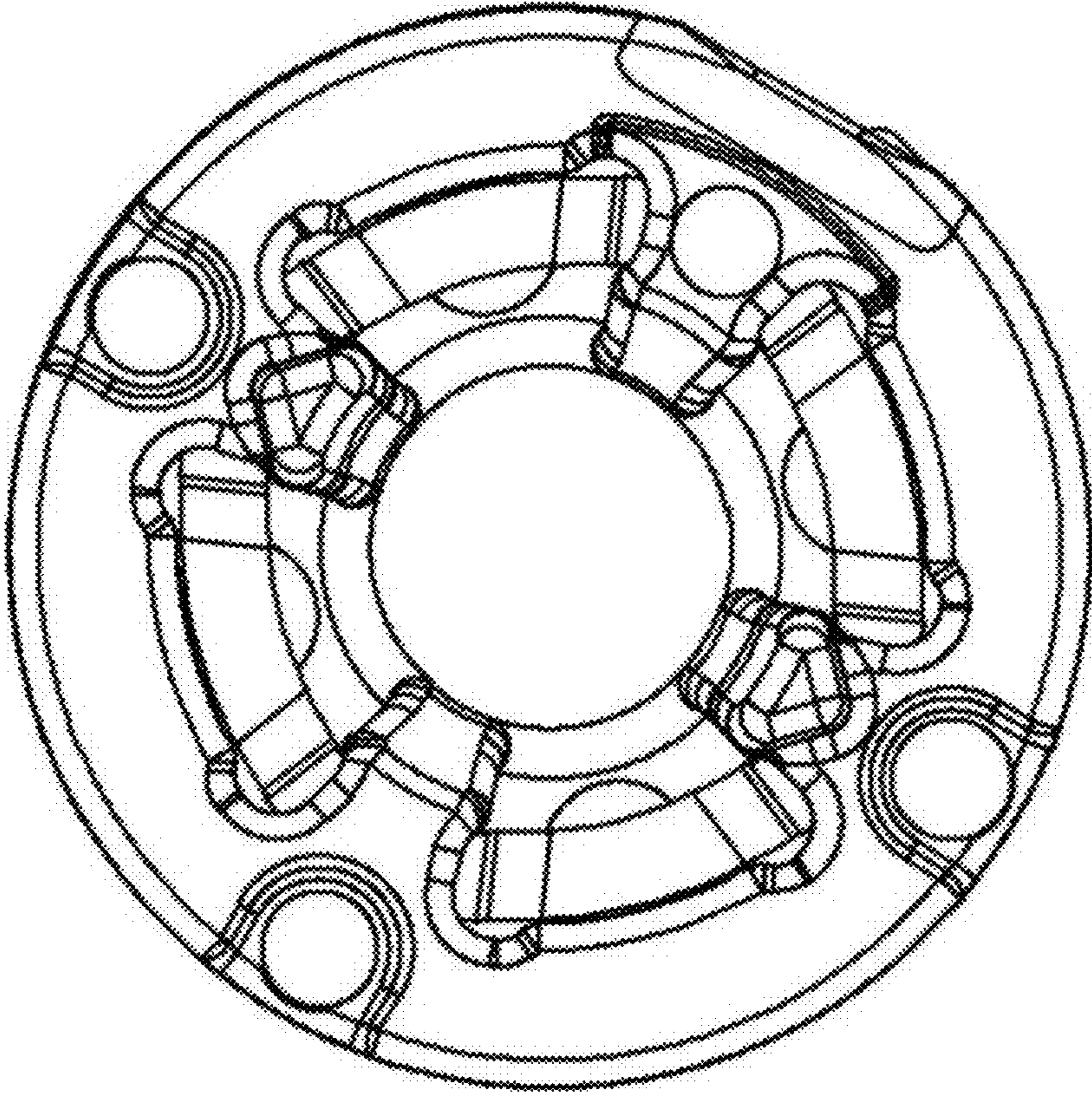
2017/0122359 A1* 5/2017 Foerster, Jr. F16B 25/0084

* cited by examiner

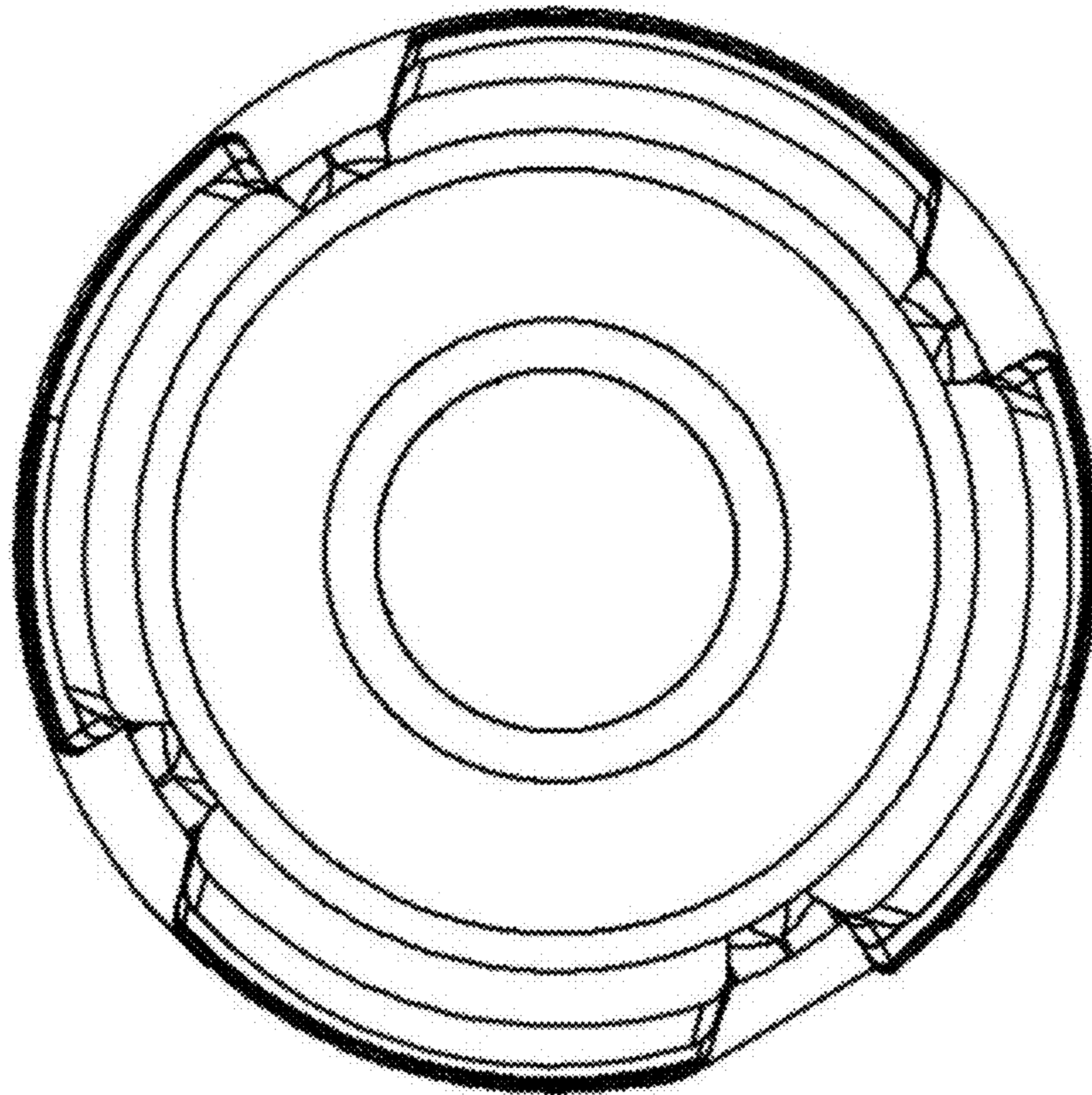
1.1



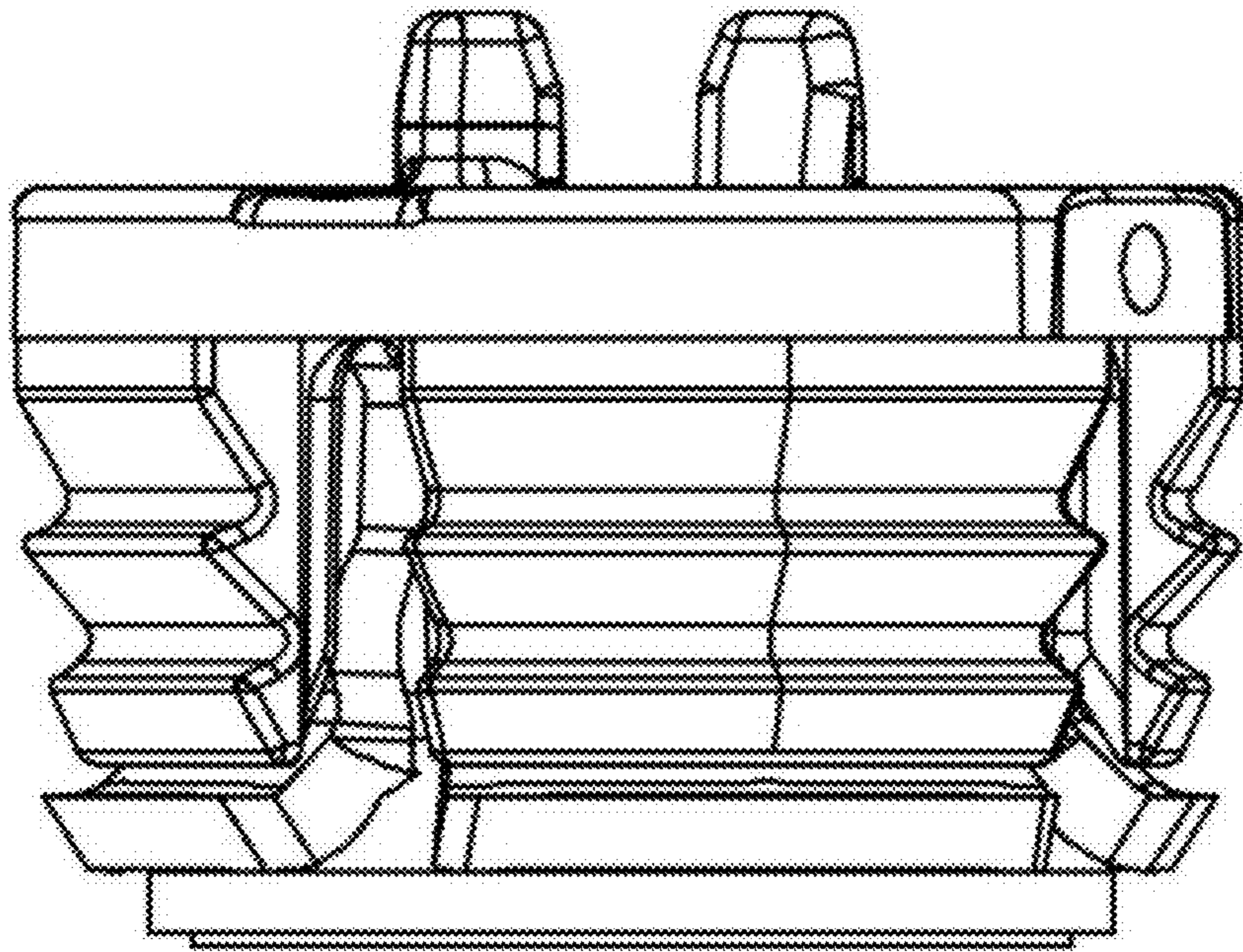
1.2



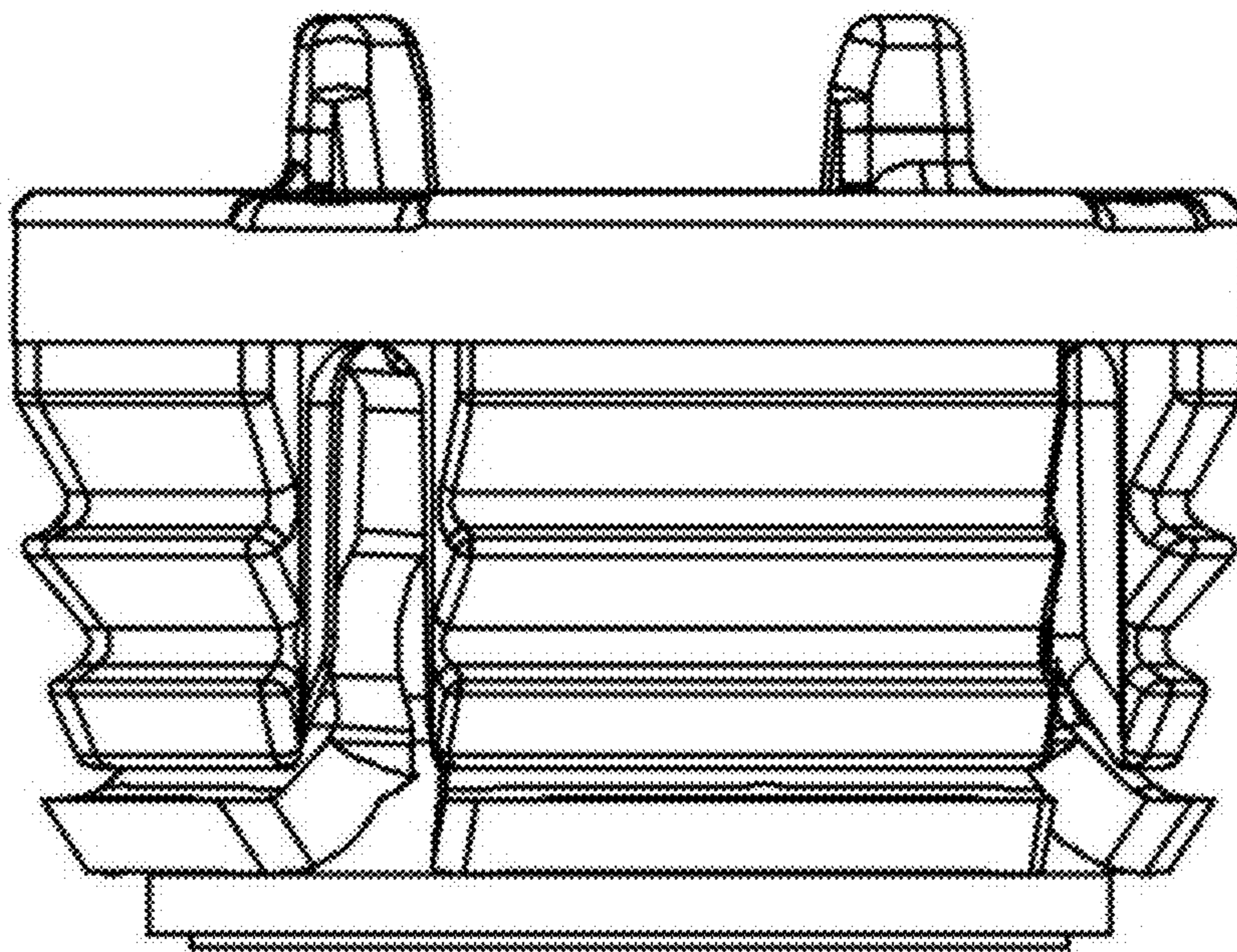
1.3



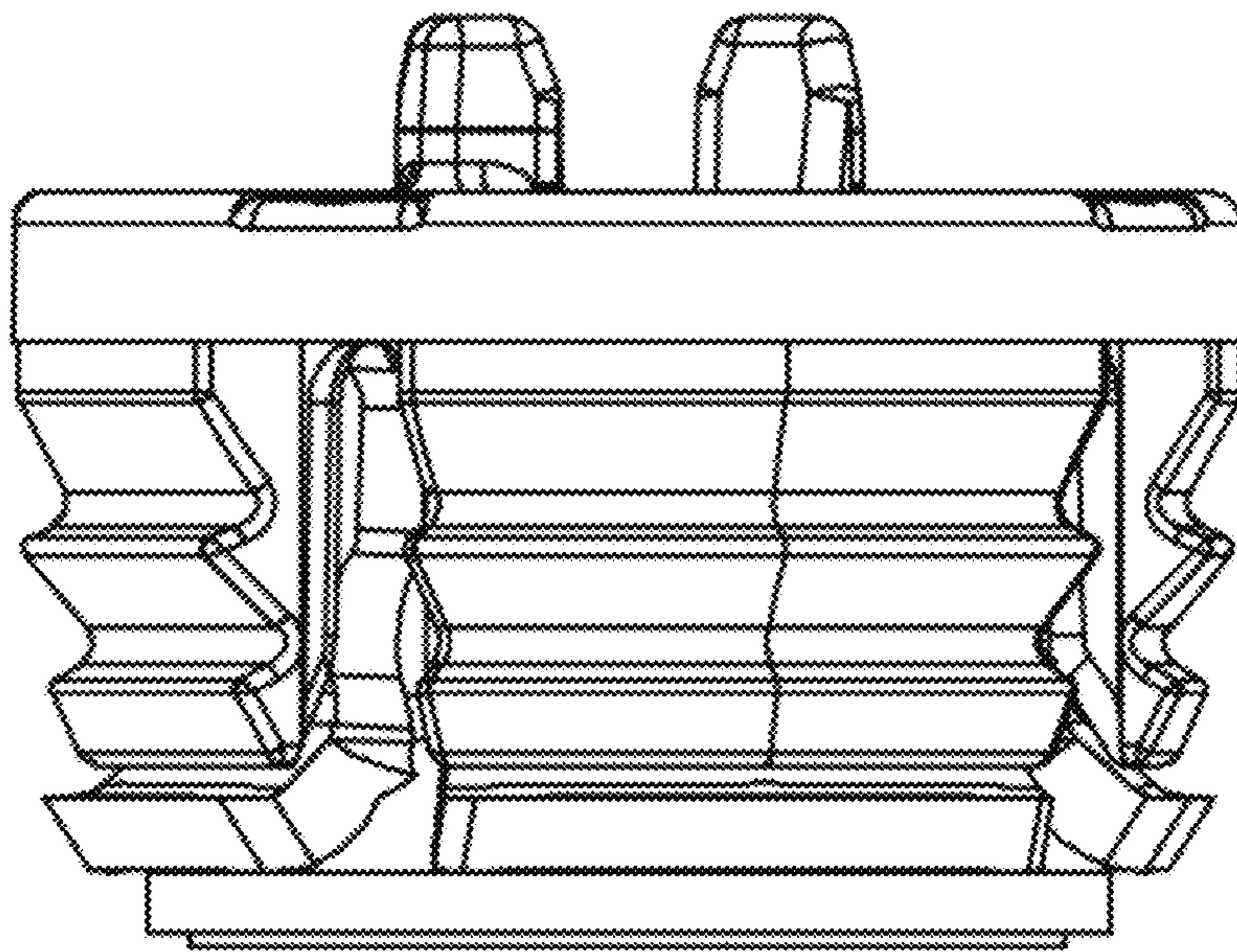
1.4



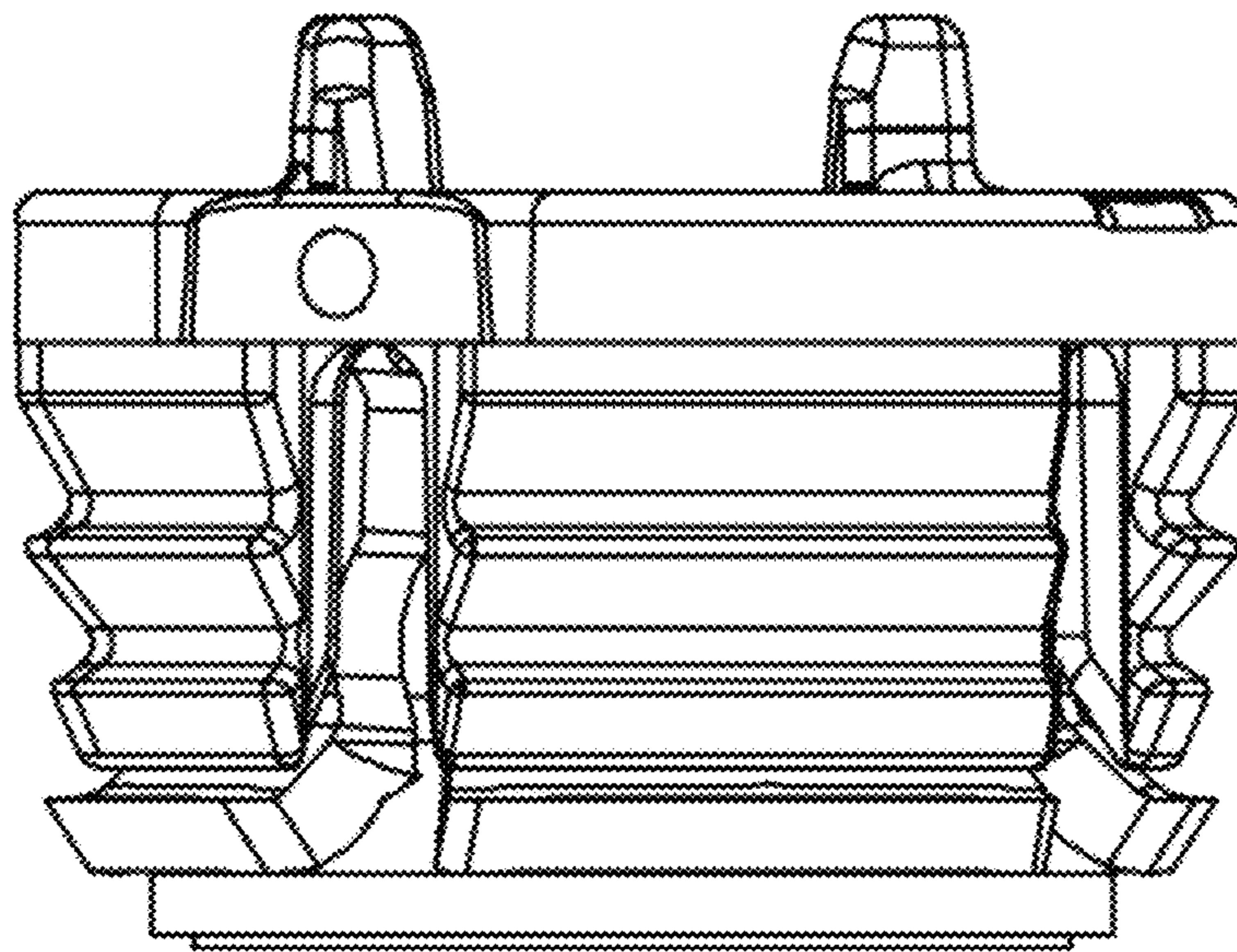
1.5



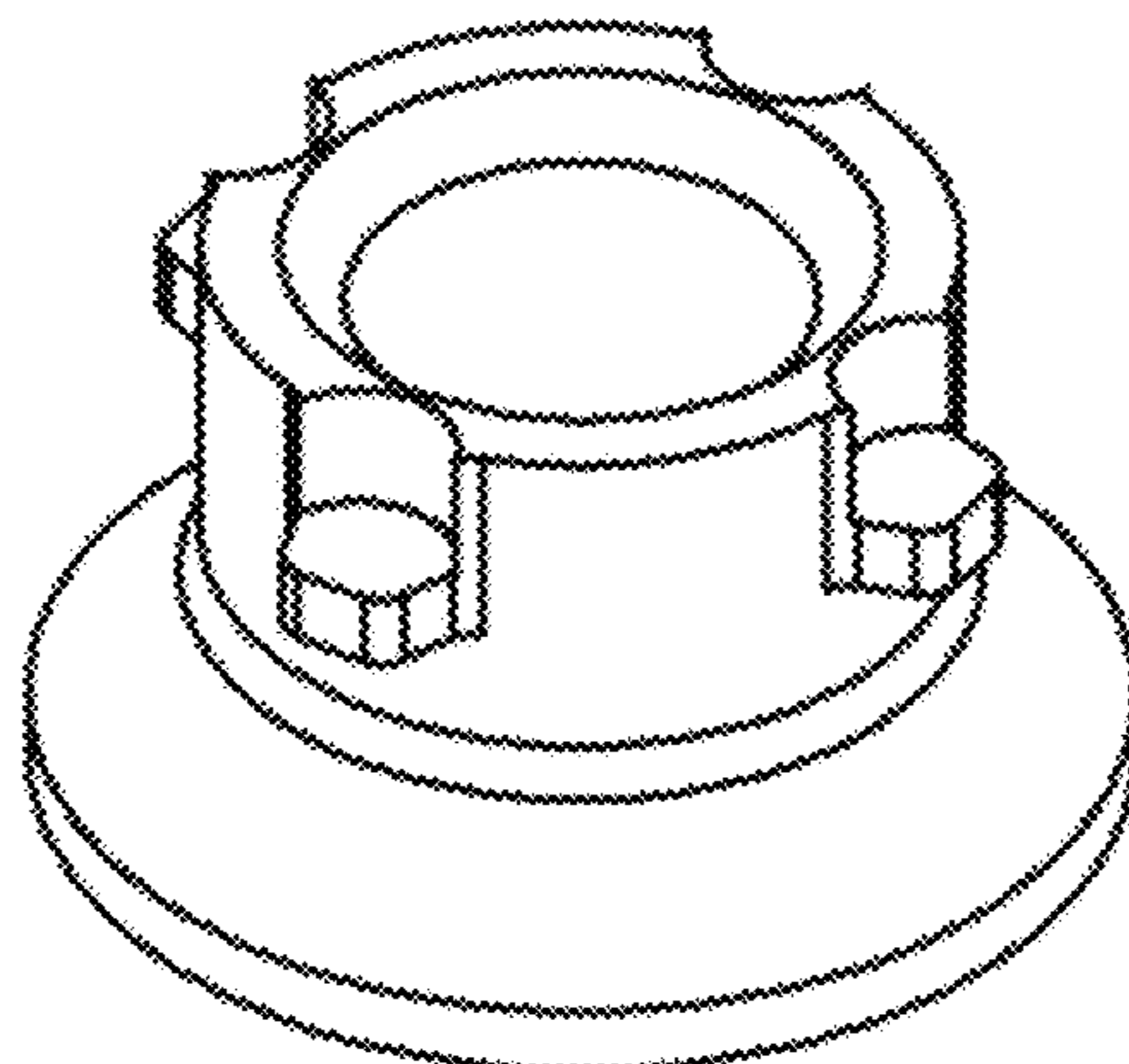
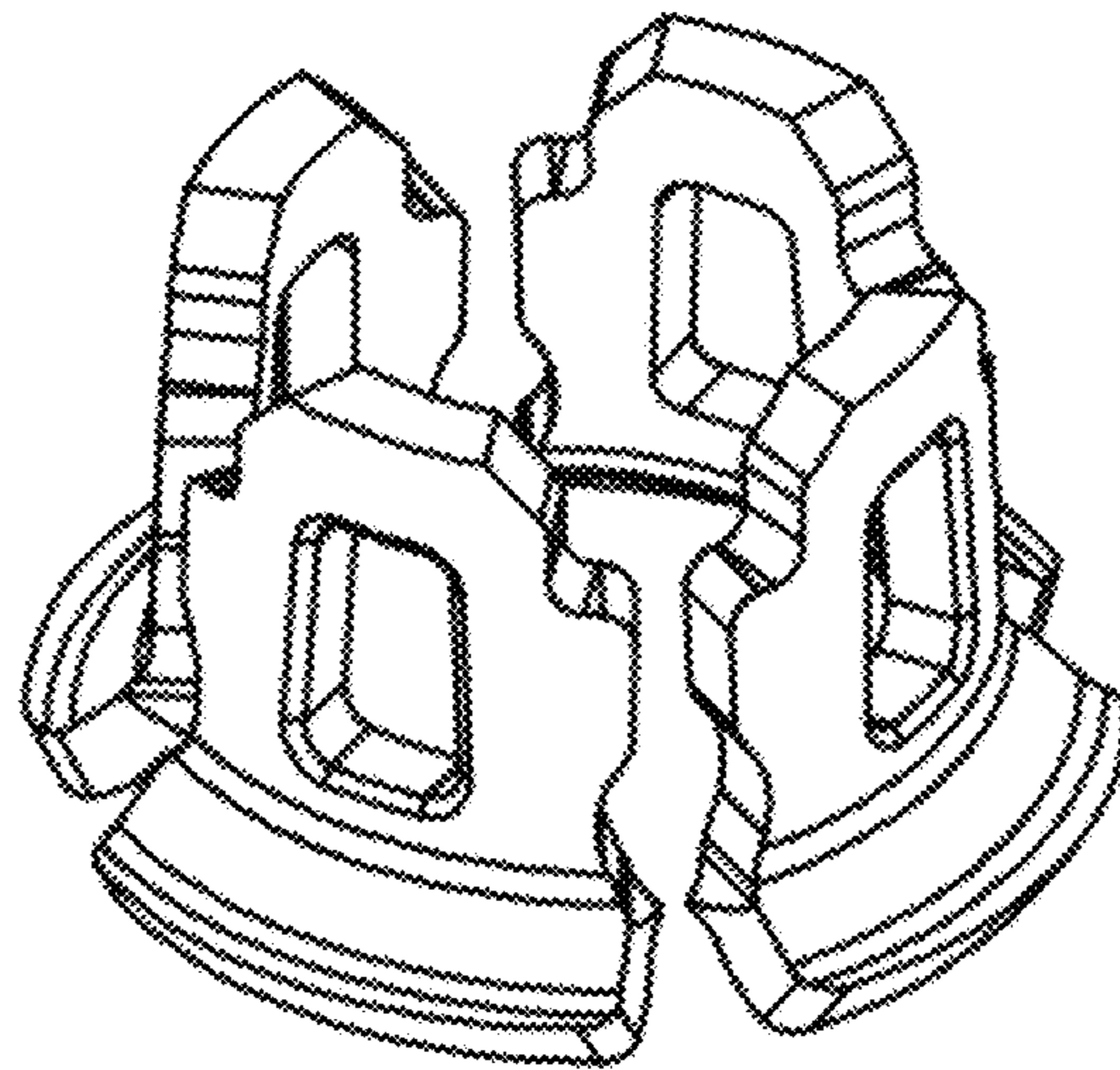
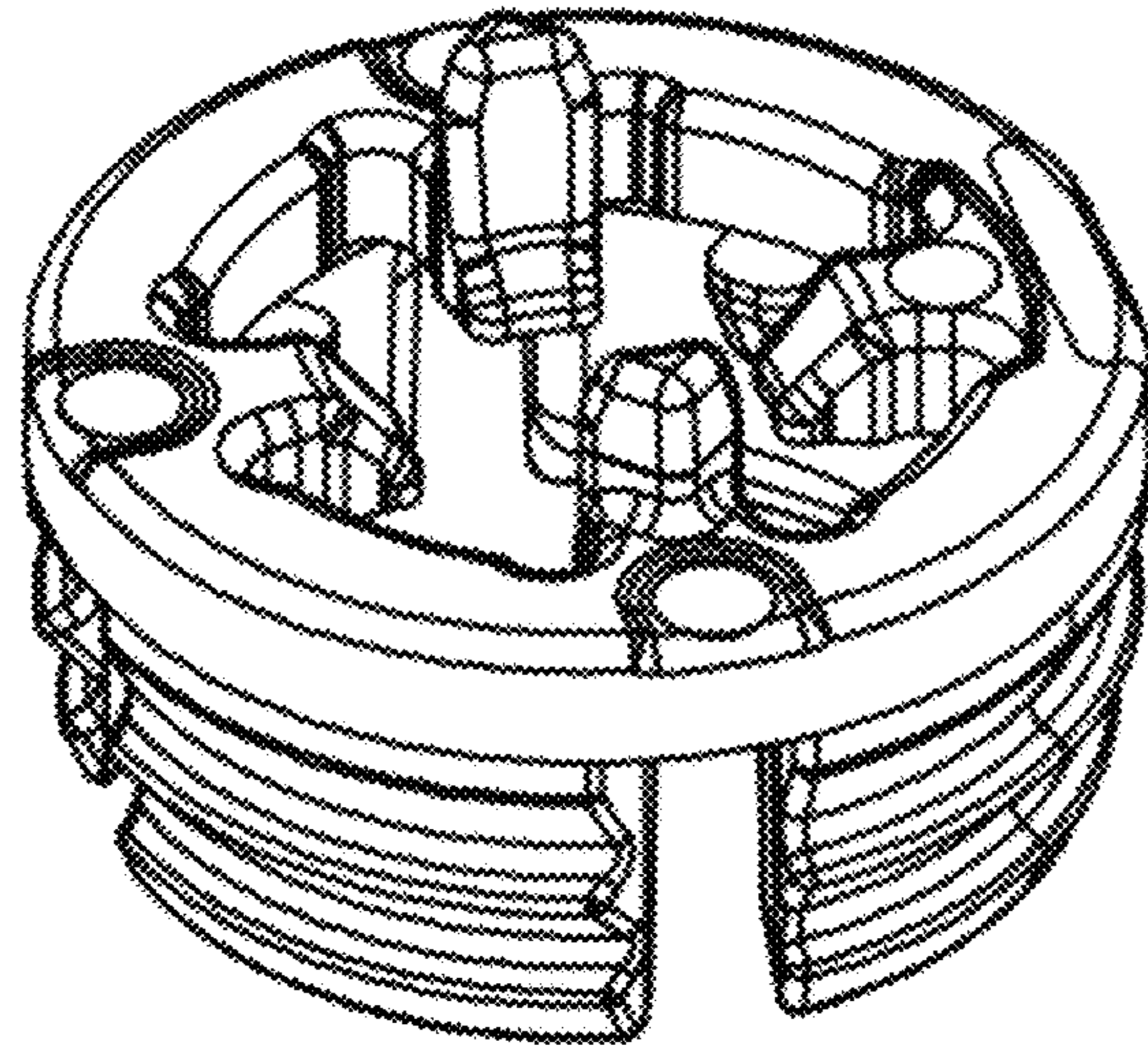
1.6



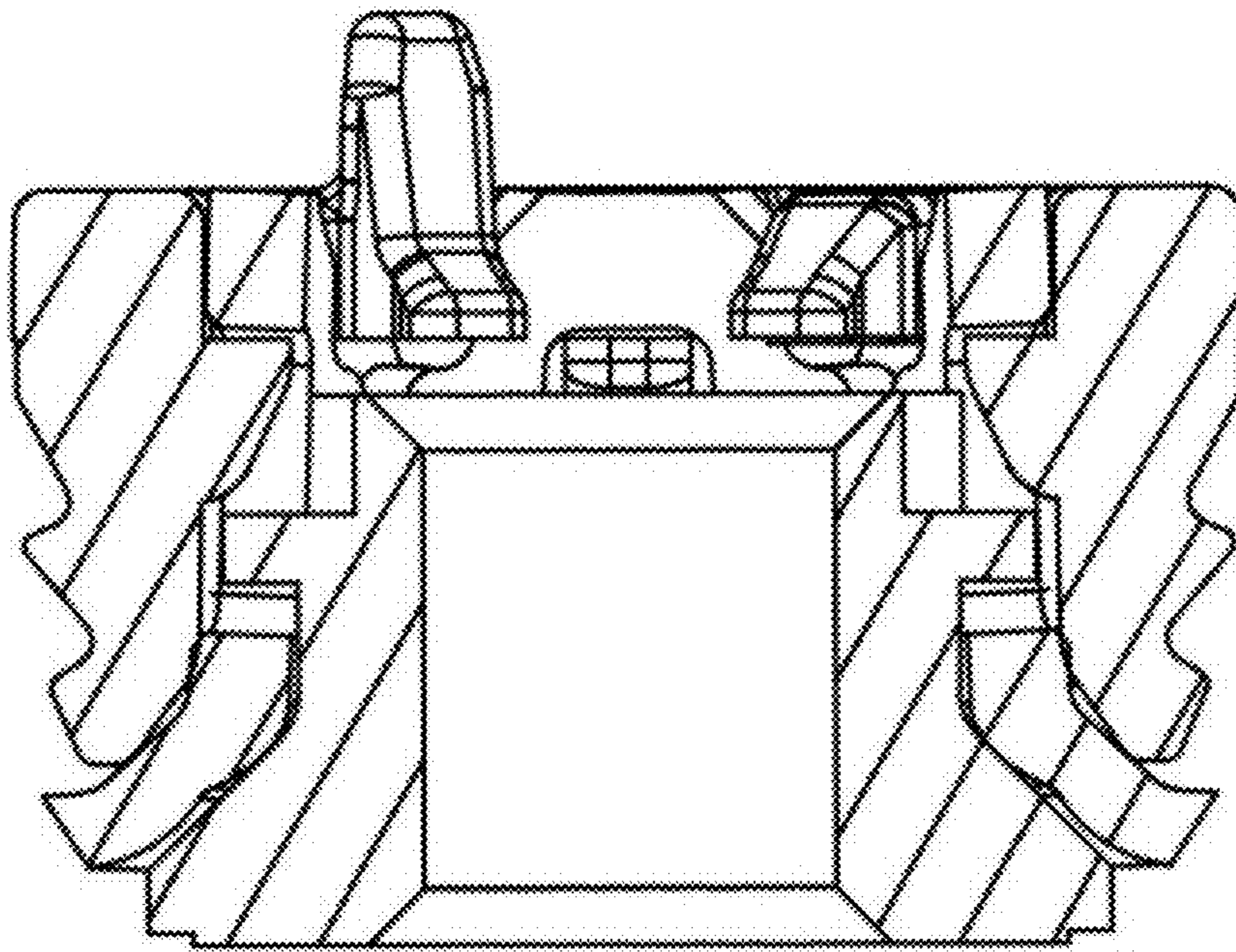
1.7



1.8



1.9



1.10

