



US00D864701S

(12) **United States Design Patent** (10) **Patent No.:** **US D864,701 S**  
**Huang** (45) **Date of Patent:** **\*\* Oct. 29, 2019**

(54) **INSTALLATION ROD HEAD OF SHOWER CURTAIN ROD**

D703,791 S \* 4/2014 Gilbert ..... D23/249  
8,869,999 B2 \* 10/2014 Lindo ..... A47H 1/022  
211/105.3  
D737,127 S \* 8/2015 Yeh ..... D8/382  
9,271,592 B2 \* 3/2016 Didehvar ..... A47H 1/022  
D777,565 S \* 1/2017 Yeh ..... D8/382  
10,014,673 B2 \* 7/2018 Yeh ..... H02G 3/0691  
2008/0245940 A1 \* 10/2008 Brown ..... A47H 1/022  
248/251

(71) Applicant: **Jiarui Huang**, Guangdong (CN)

(72) Inventor: **Jiarui Huang**, Guangdong (CN)

(\*\*) Term: **15 Years**

(21) Appl. No.: **29/678,574**

(22) Filed: **Jan. 30, 2019**

(51) **LOC (12) Cl.** ..... **08-05**

(52) **U.S. Cl.**  
USPC ..... **D8/376**

(58) **Field of Classification Search**  
USPC ..... D8/367, 366, 373, 364, 363; D6/550,  
D6/546, 565  
CPC ..... F16B 5/02; F16B 7/18; Y10T 292/218;  
B05C 11/00; B60Q 1/045  
See application file for complete search history.

(56) **References Cited**

**U.S. PATENT DOCUMENTS**

D318,590 S \* 7/1991 McKeone ..... D6/524  
D392,138 S \* 3/1998 Wu ..... D6/546  
D507,735 S 7/2005 Benaron  
D522,845 S \* 6/2006 Suero ..... D8/376  
D522,846 S \* 6/2006 Suero, Jr. .... D8/376  
D542,125 S 5/2007 Kaminski  
D547,165 S \* 7/2007 Barrese ..... D6/550  
D563,209 S 3/2008 Samelson  
D585,268 S 1/2009 Woolley  
7,563,061 B2 \* 7/2009 Gibbons ..... B23B 31/1207  
279/133  
D624,807 S 10/2010 Barrese  
D633,780 S 3/2011 Barrese  
D647,391 S 10/2011 Barrese

\* cited by examiner

*Primary Examiner* — Eliza Z Bennett-Hattan

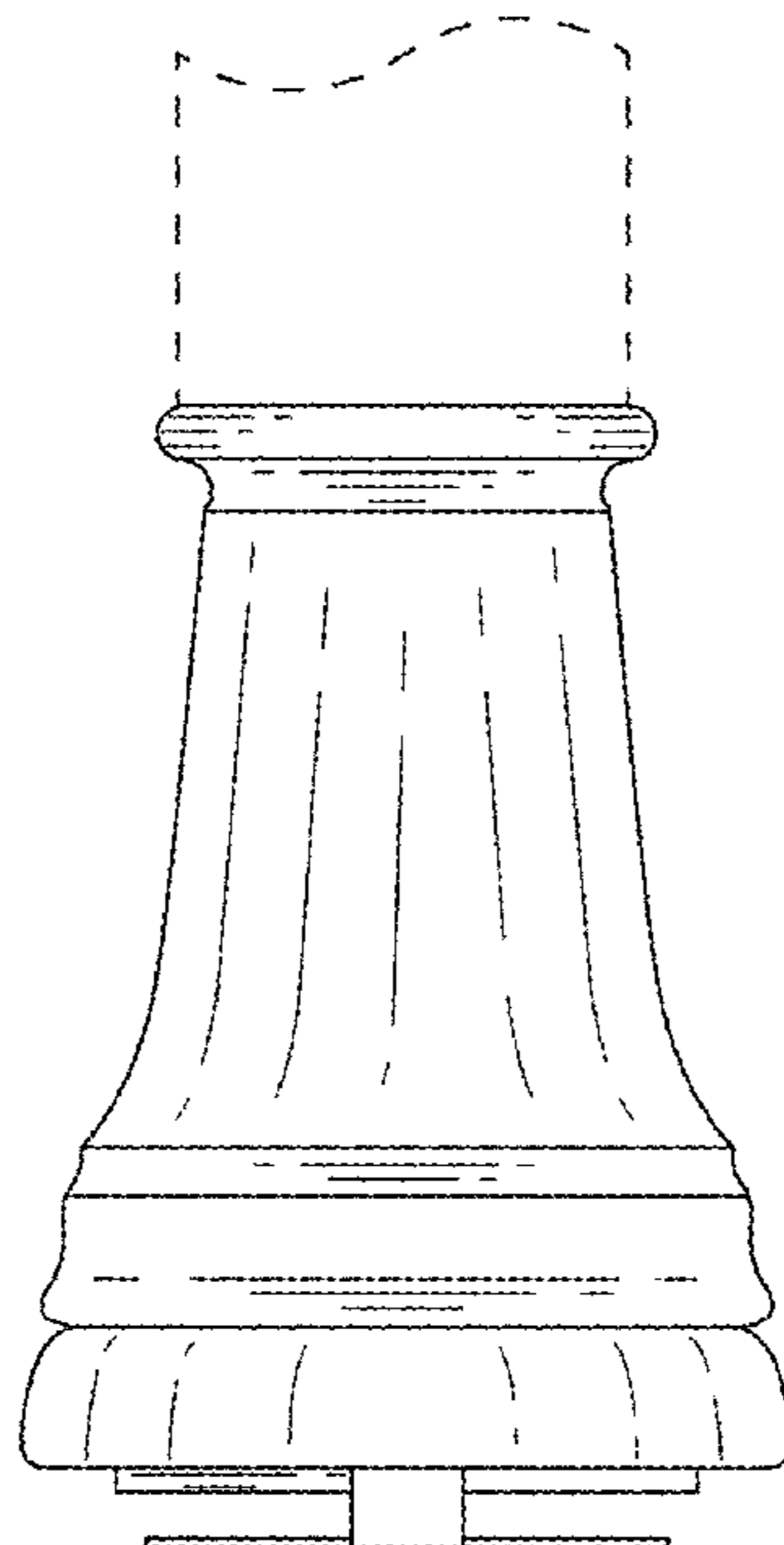
(57) **CLAIM**

The ornamental design for a installation rod head of shower curtain rod, as shown and described.

**DESCRIPTION**

FIG. 1 is a perspective view of a installation rod head of shower curtain rod showing my new design; FIG. 2 is a front elevation view thereof; FIG. 3 is a rear elevation view thereof; FIG. 4 is a left side elevation view thereof; FIG. 5 is a right side elevation view thereof; FIG. 6 is a top plan view thereof; FIG. 7 is a bottom plan view thereof; FIG. 8 is an exploded view thereof; and FIG. 9 is a front elevation view disclosing the installation rod head of shower curtain rod in an environment of use; and, FIG. 10 is an enlarged view of the claim in a position of use taken from FIG. 9. The broken lines directly adjacent the shaded areas depict unclaimed portions of the installation rod head of shower curtain rod while all other broke lines represent unclaimed environment.

**1 Claim, 10 Drawing Sheets**



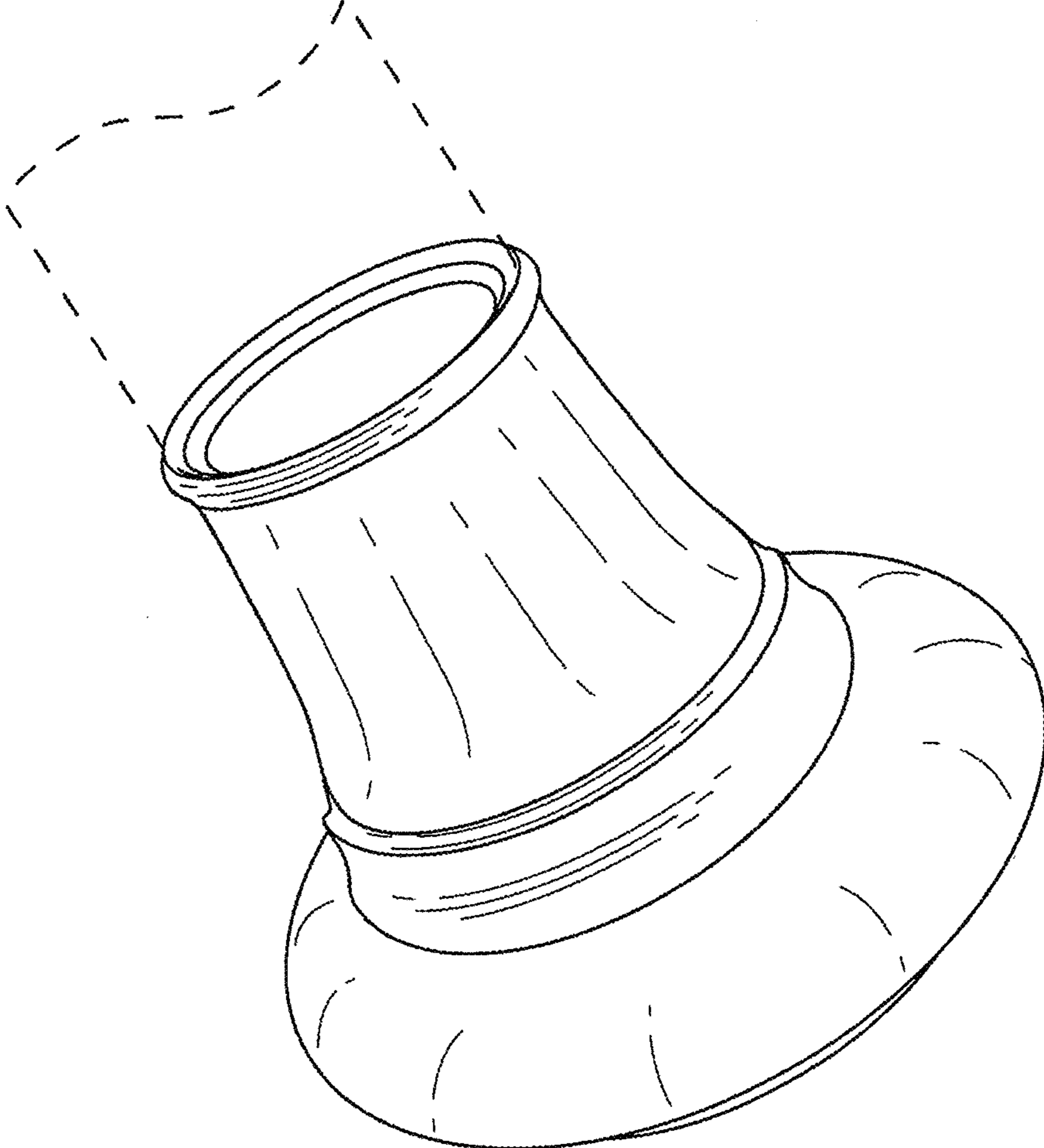


FIG.1

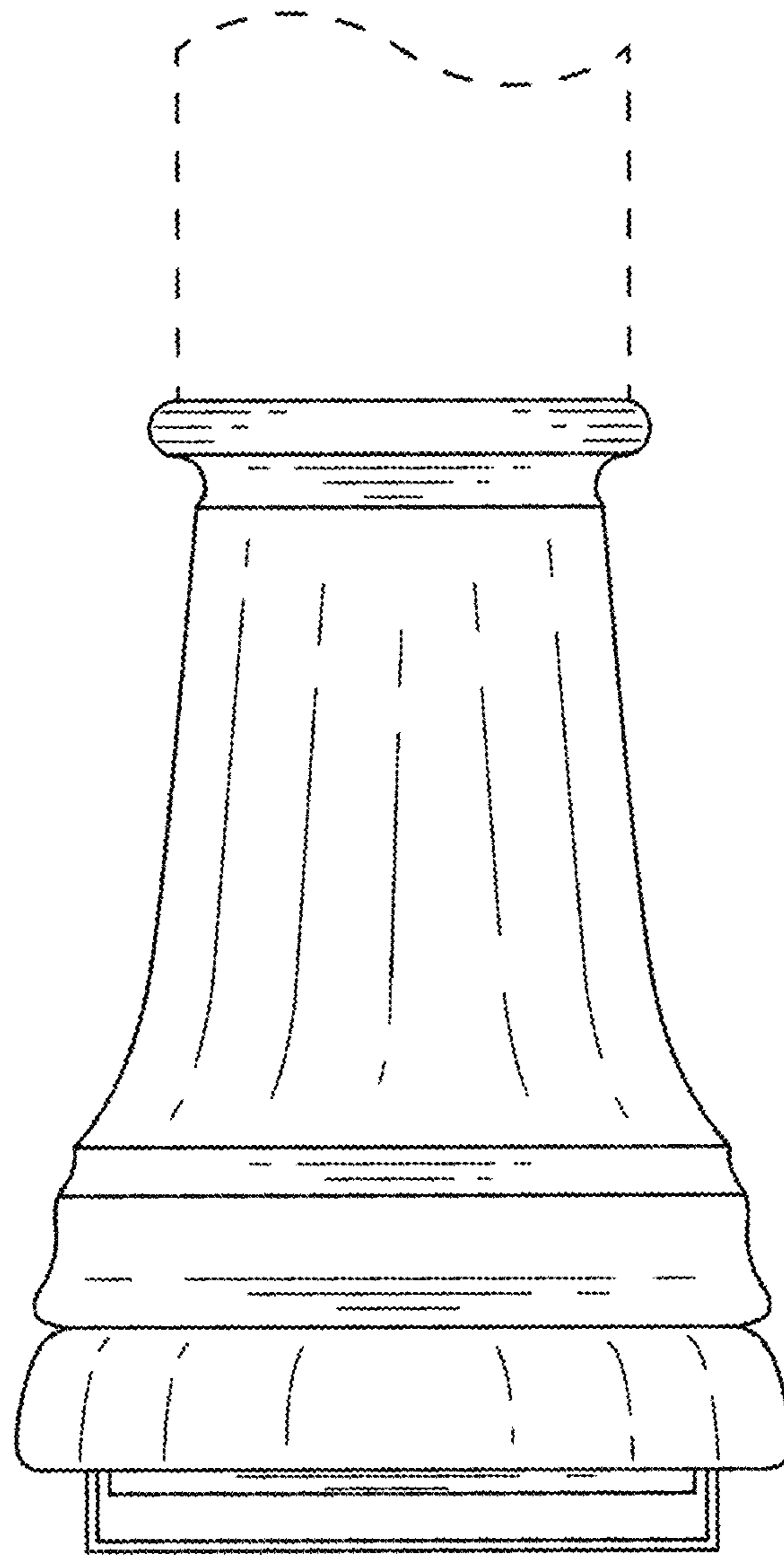


FIG. 2

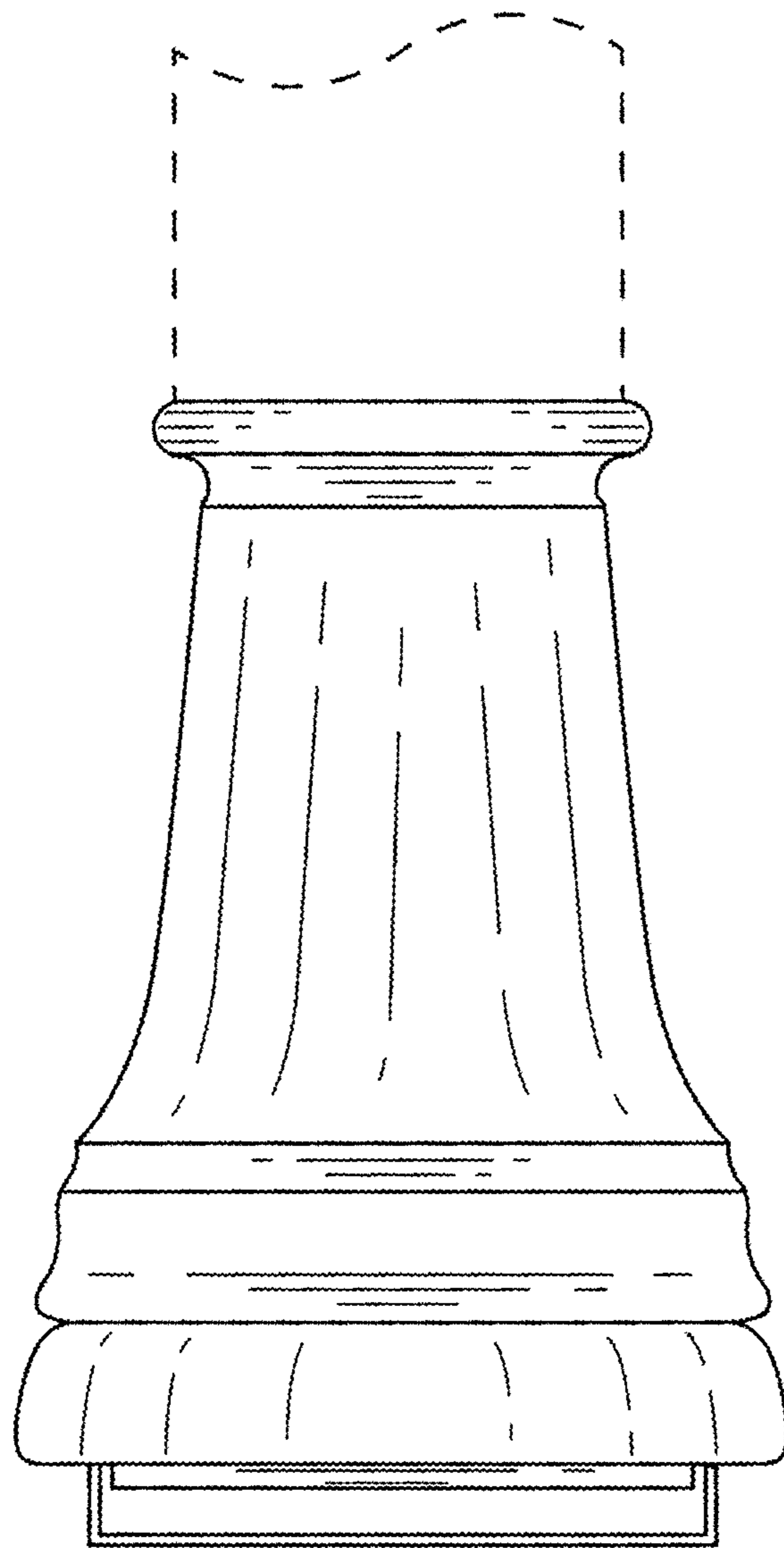


FIG.3

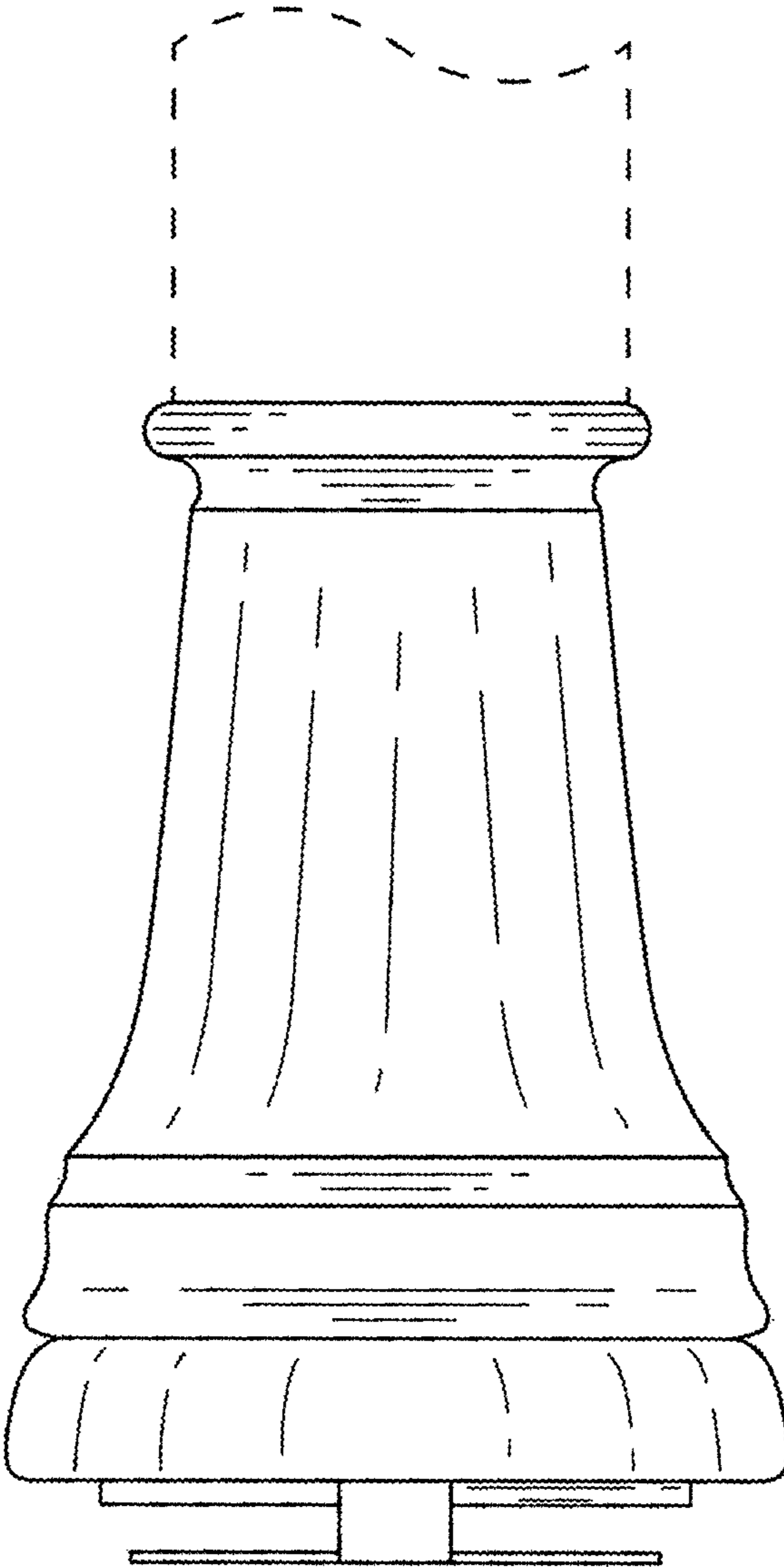


FIG.4

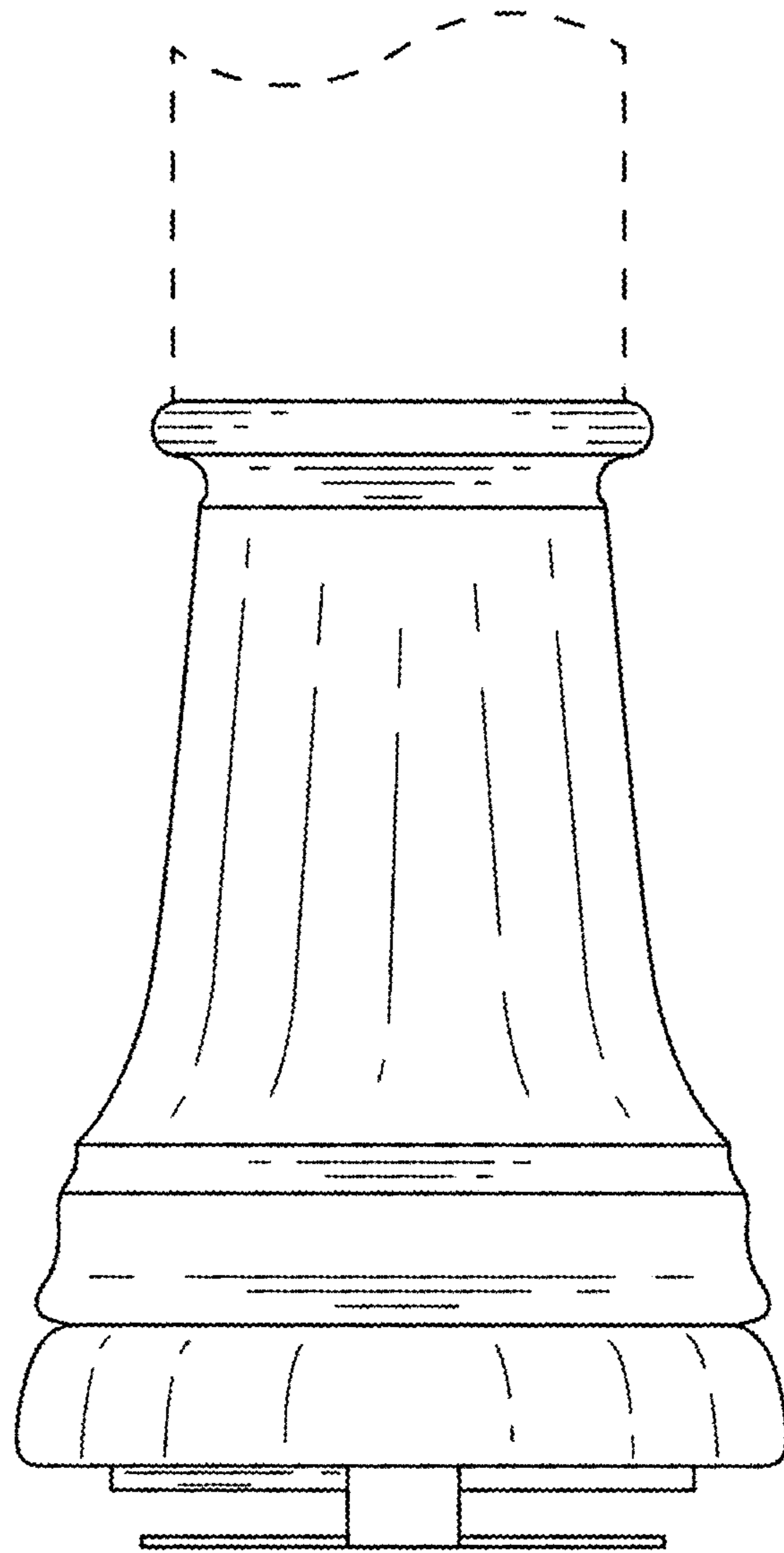


FIG.5

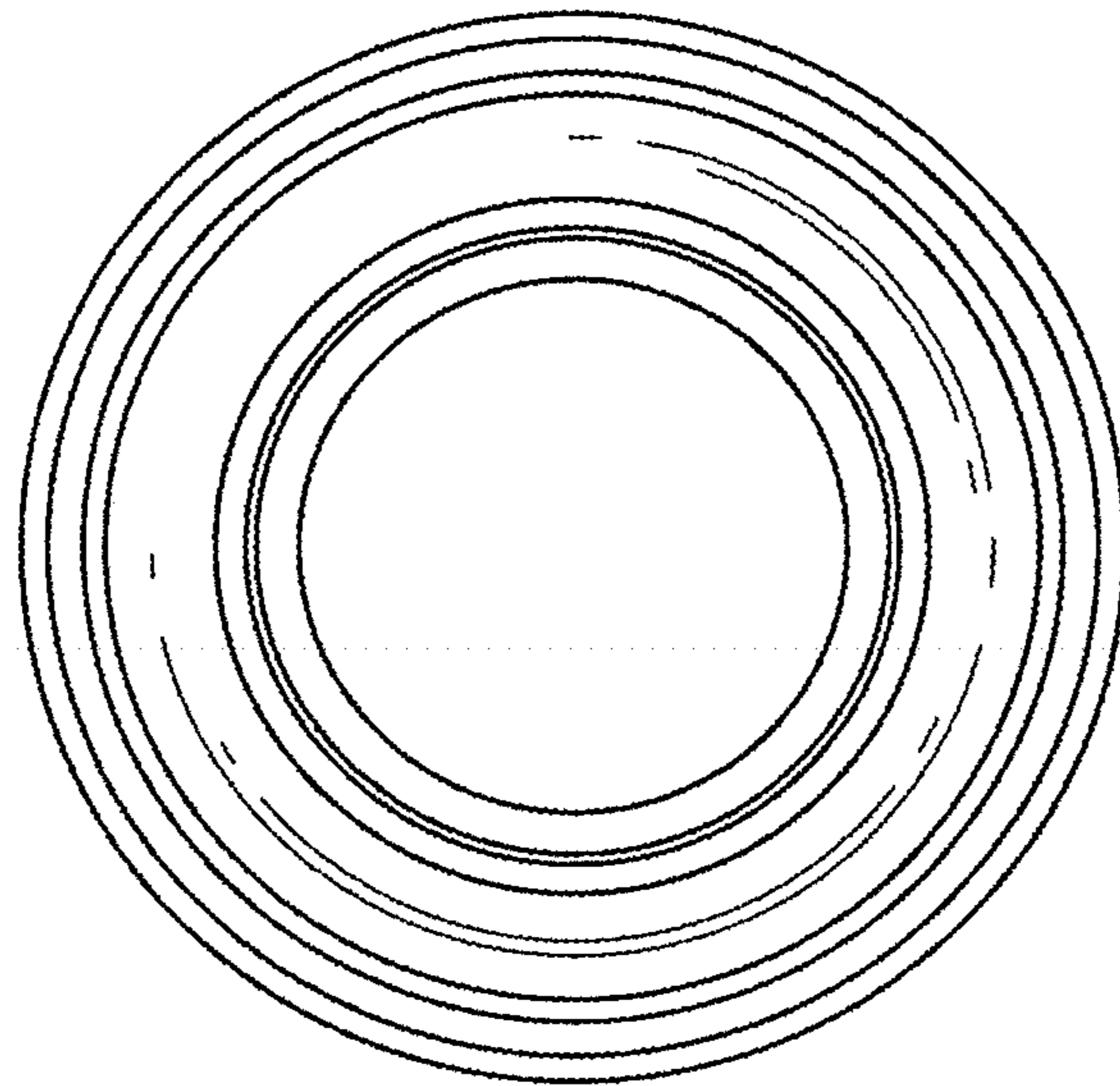


FIG. 6



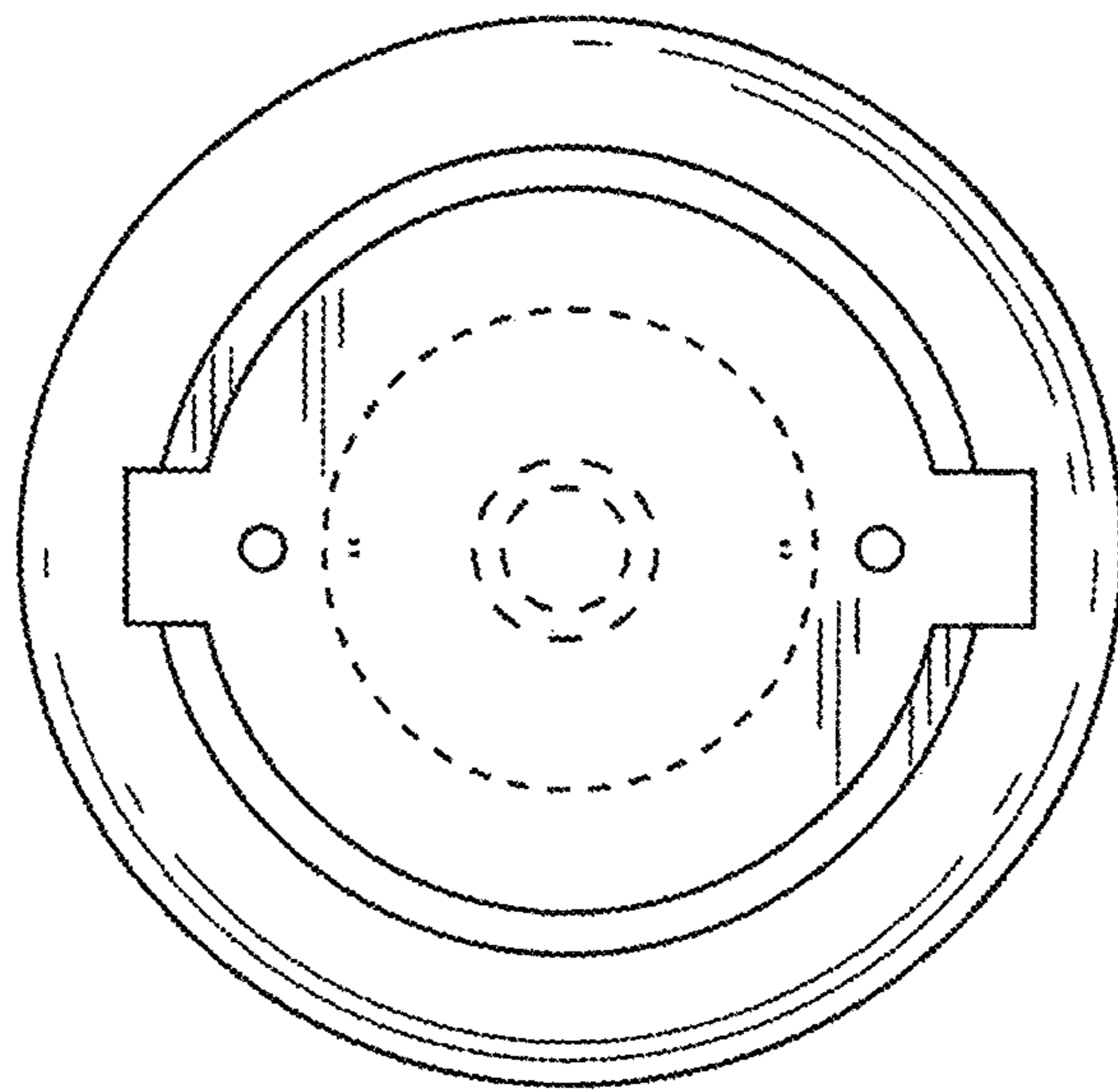


FIG. 7



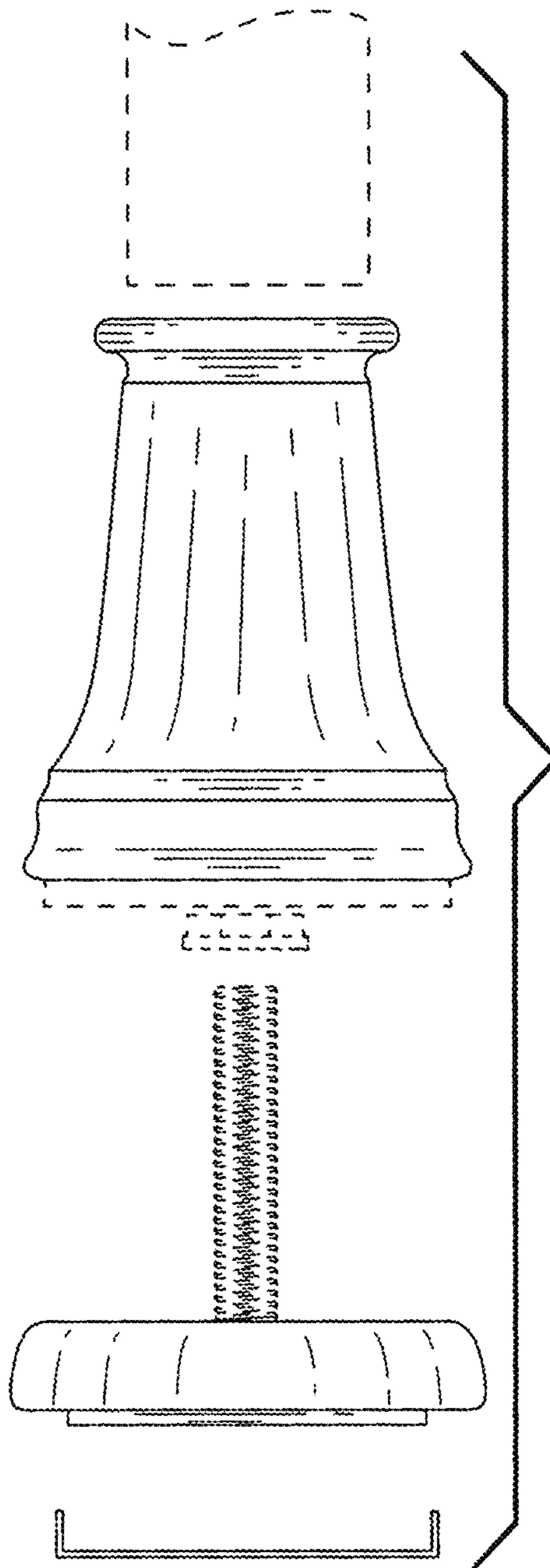


FIG. 8

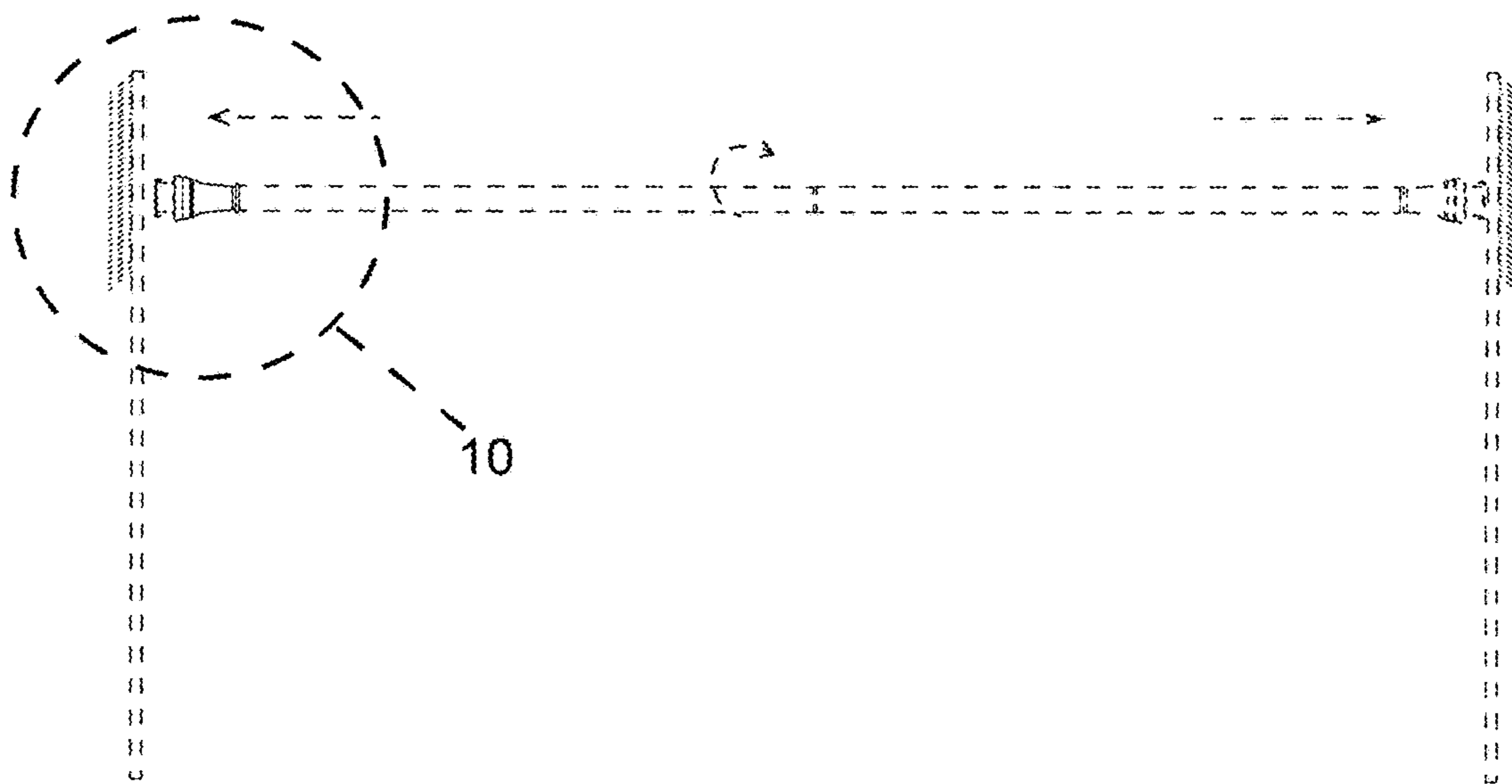


FIG. 9

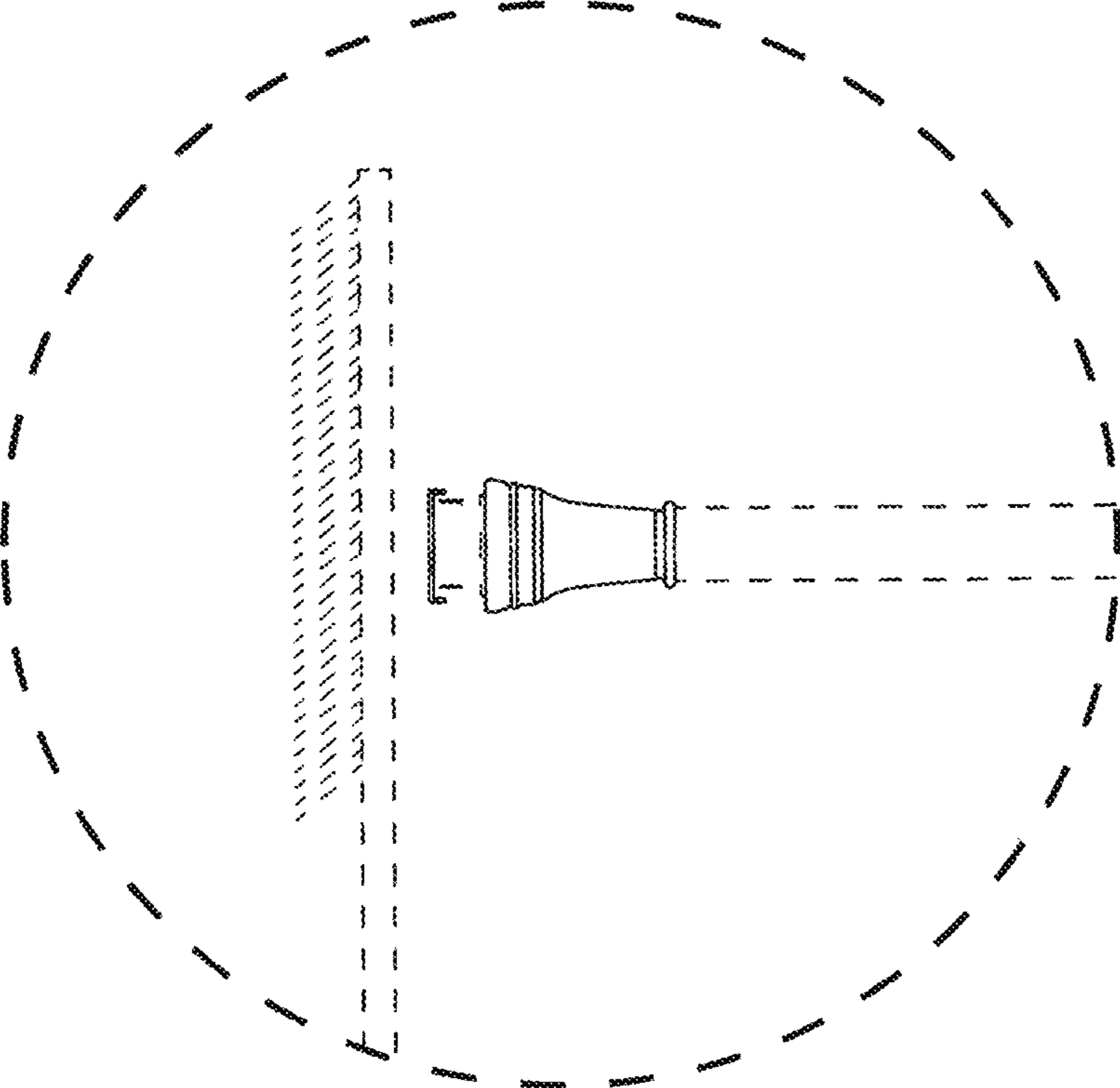


FIG. 10