

US00D864700S

(12) **United States Design Patent** (10) **Patent No.:** **US D864,700 S**  
**Chen** (45) **Date of Patent:** **\*\* Oct. 29, 2019**

(54) **ADHESIVE HOOK**  
(71) Applicant: **Yi Chen**, HeNan Province (CN)  
(72) Inventor: **Yi Chen**, HeNan Province (CN)  
(\*\*) Term: **15 Years**  
(21) Appl. No.: **29/698,418**  
(22) Filed: **Jul. 17, 2019**  
(51) **LOC (12) Cl.** ..... **08-05**  
(52) **U.S. Cl.**  
USPC ..... **D8/367**  
(58) **Field of Classification Search**  
USPC ..... D8/367, 354, 349, 373; D6/323;  
248/301-304, 339  
CPC ..... A47G 1/00; A47G 25/00  
See application file for complete search history.

D480,625 S 10/2003 Snell  
D531,487 S 11/2006 Dretzka  
D590,577 S \* 4/2009 Bruno ..... D2/853  
D658,029 S \* 4/2012 Fulkerson ..... D8/301  
D670,997 S \* 11/2012 Thompson ..... D8/367  
D734,133 S \* 7/2015 Spindler ..... F21S 4/10  
D8/367  
D761,093 S \* 7/2016 Liu ..... D8/367  
D810,548 S \* 2/2018 Lynn ..... D8/367  
D811,201 S \* 2/2018 Berger ..... D8/367  
D811,862 S \* 3/2018 Berger ..... D8/367  
D812,454 S \* 3/2018 Berger ..... D8/367  
D818,353 S \* 5/2018 Sacks ..... D8/367  
D821,184 S \* 6/2018 Berger ..... D8/367  
D832,685 S \* 11/2018 Wei ..... D8/367  
D842,083 S \* 3/2019 Thompson ..... D8/367

\* cited by examiner

*Primary Examiner* — Cynthia R Underwood

(56) **References Cited**

U.S. PATENT DOCUMENTS

2,679,998 A \* 6/1954 Keller ..... F16B 47/003  
248/205.3  
3,637,181 A \* 1/1972 Janssen ..... A47G 1/17  
248/205.3  
D327,641 S \* 7/1992 Hoskinson ..... D8/367  
D356,941 S \* 4/1995 Reddick ..... D8/367  
D374,602 S \* 10/1996 Protz, Jr. .... D8/367  
D424,351 S \* 5/2000 Hill ..... D6/546  
6,081,975 A \* 7/2000 Norrby ..... F16B 45/00  
24/265 H  
D436,517 S \* 1/2001 Barry ..... D8/354  
D473,454 S \* 4/2003 Goodman ..... D8/370  
D477,526 S \* 7/2003 Goodman ..... D8/370

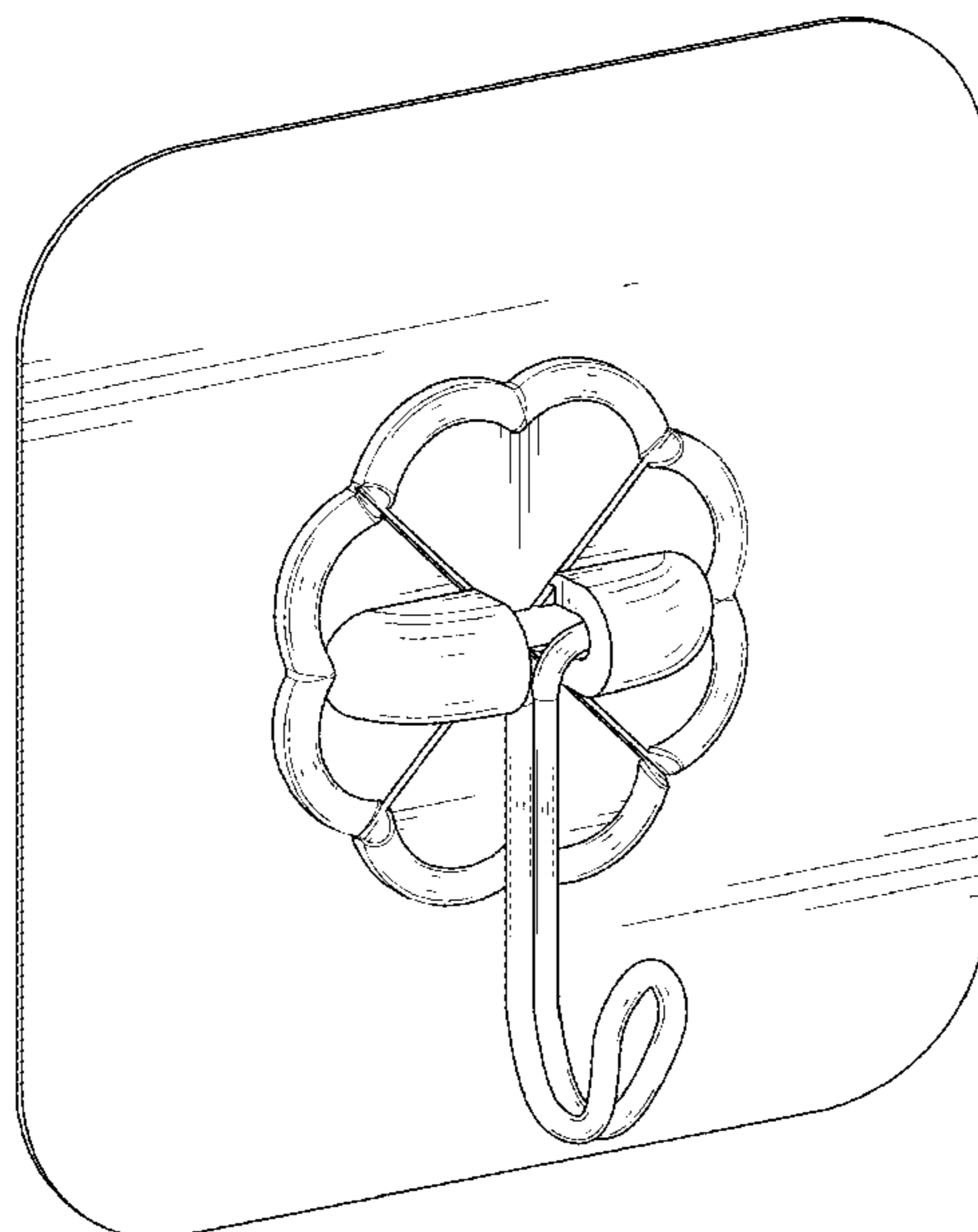
(57) **CLAIM**

The ornamental design for an adhesive hook, as shown and described.

**DESCRIPTION**

FIG. 1 is a perspective view of an adhesive hook, showing my new design;  
FIG. 2 is a front view thereof;  
FIG. 3 is a back view thereof;  
FIG. 4 is a left side view thereof;  
FIG. 5 is a right side view thereof;  
FIG. 6 is atop view thereof; and,  
FIG. 7 is a bottom view thereof.

**1 Claim, 7 Drawing Sheets**



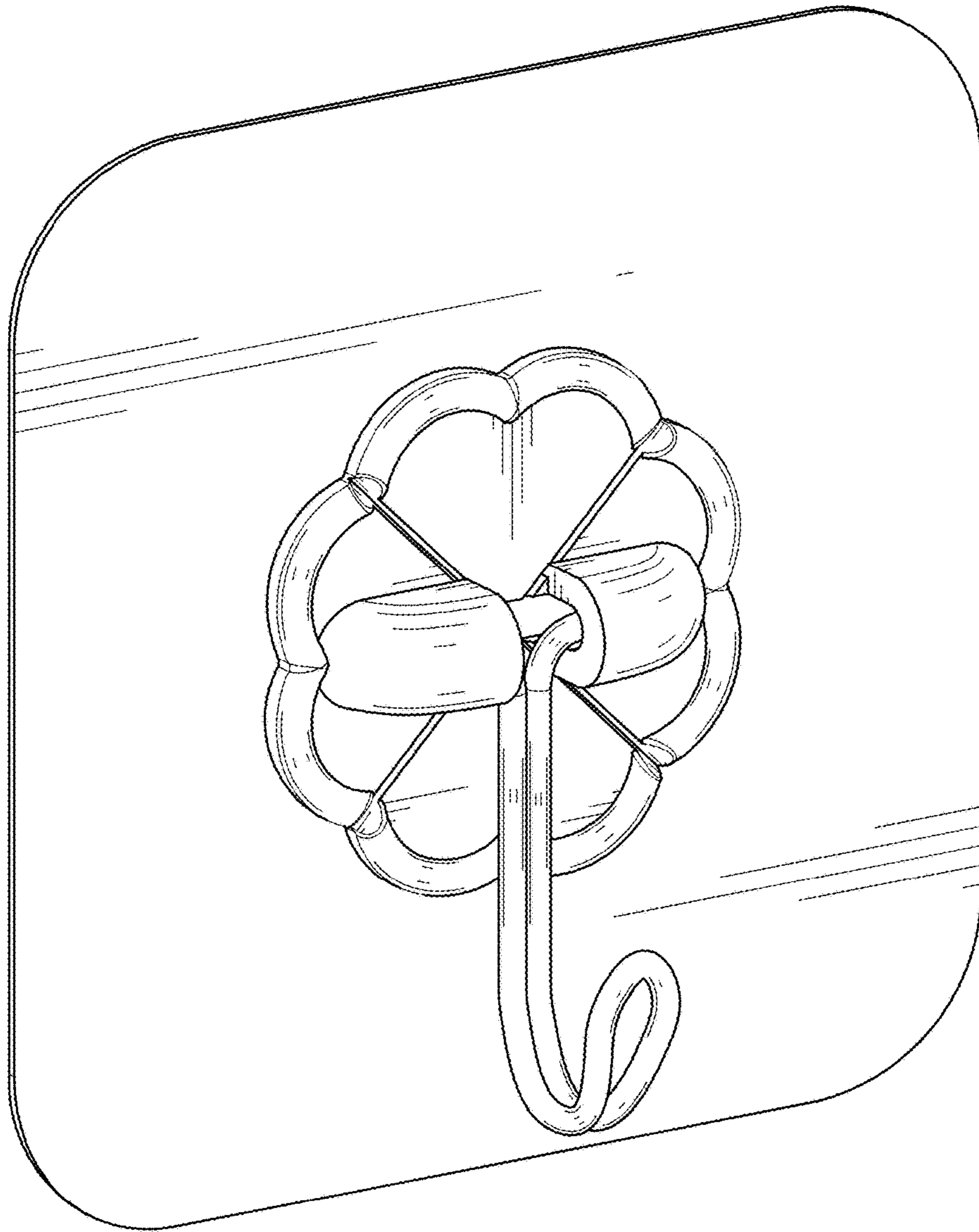


FIG.1

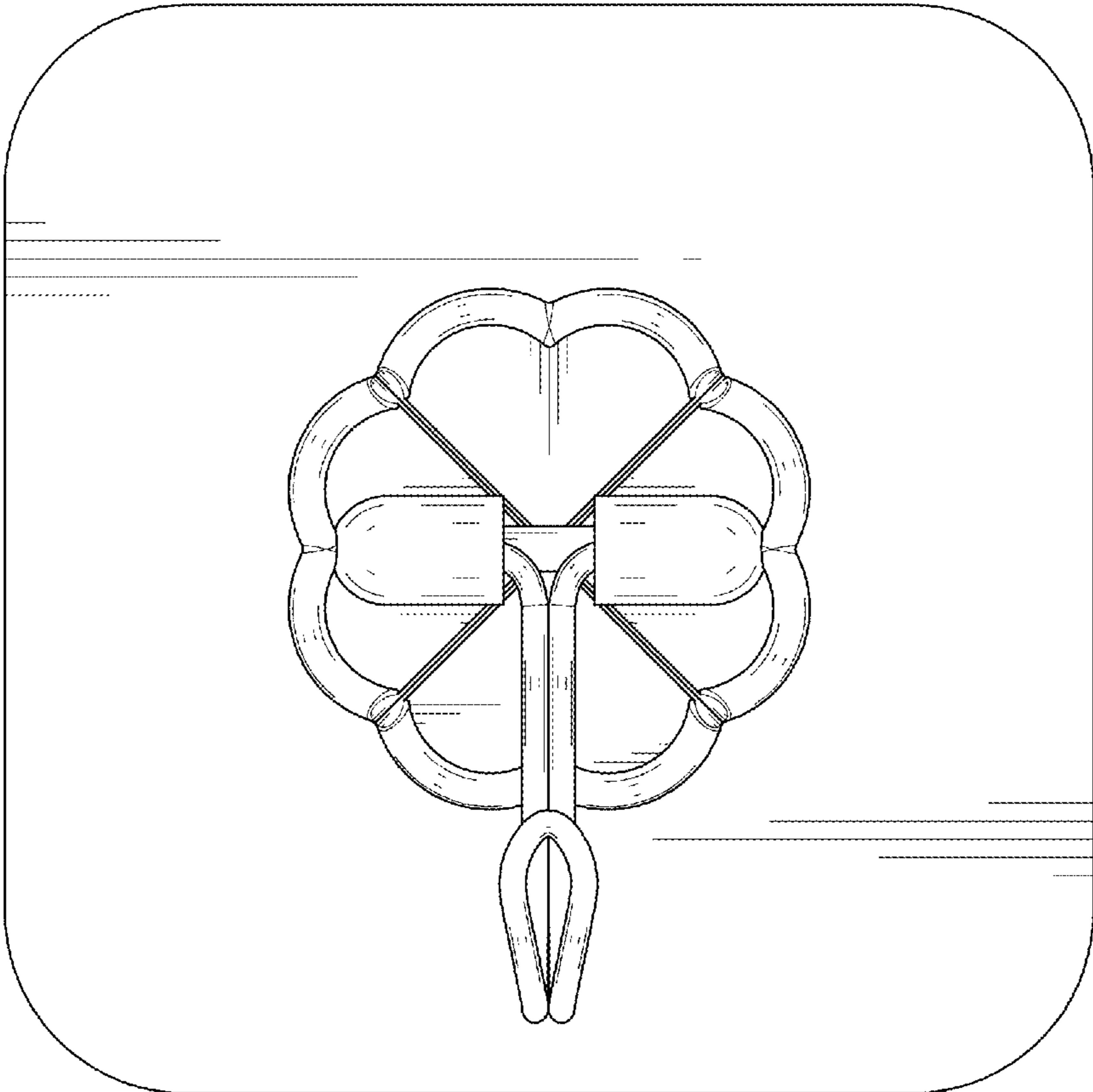


FIG.2

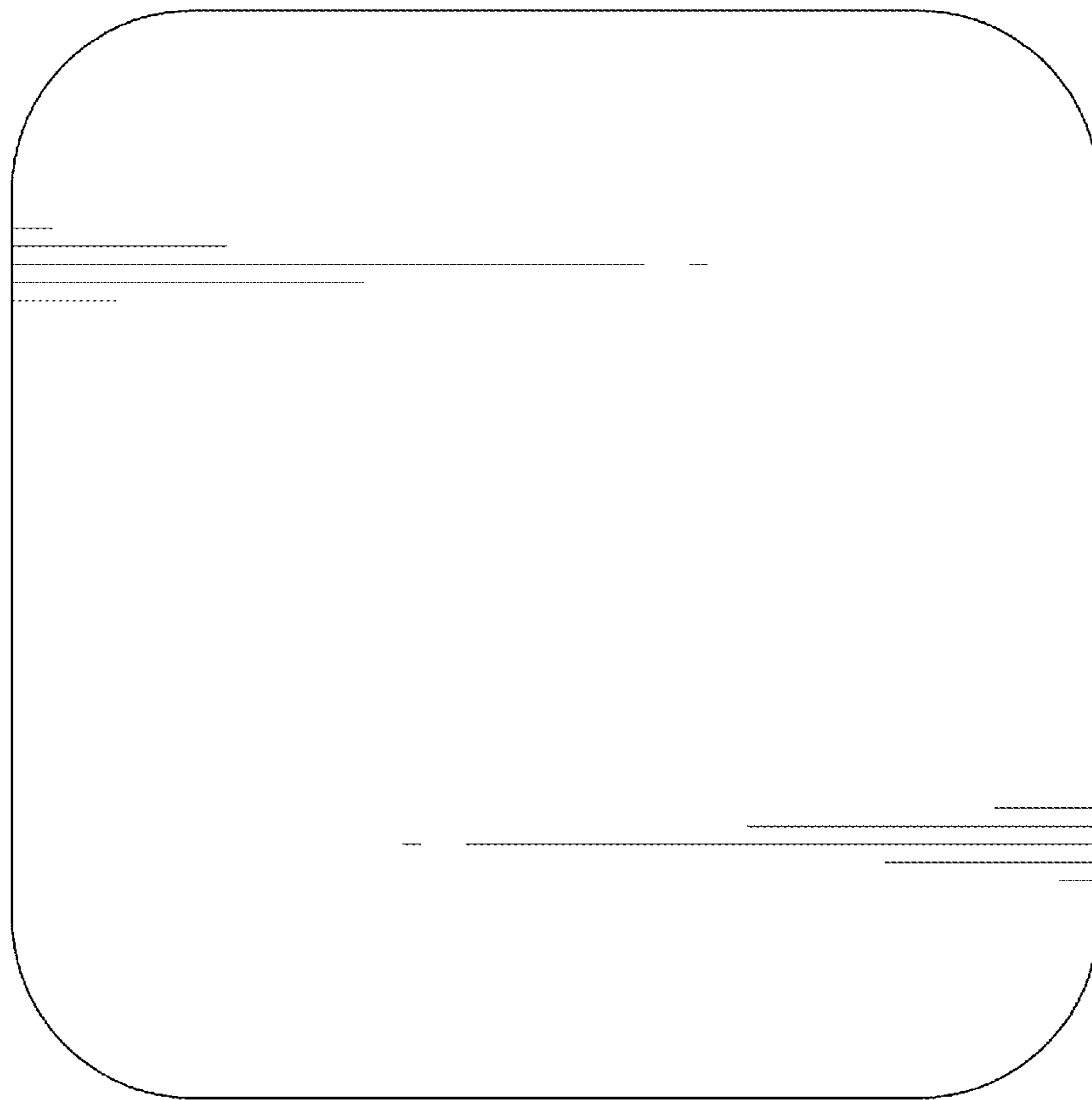


FIG.3

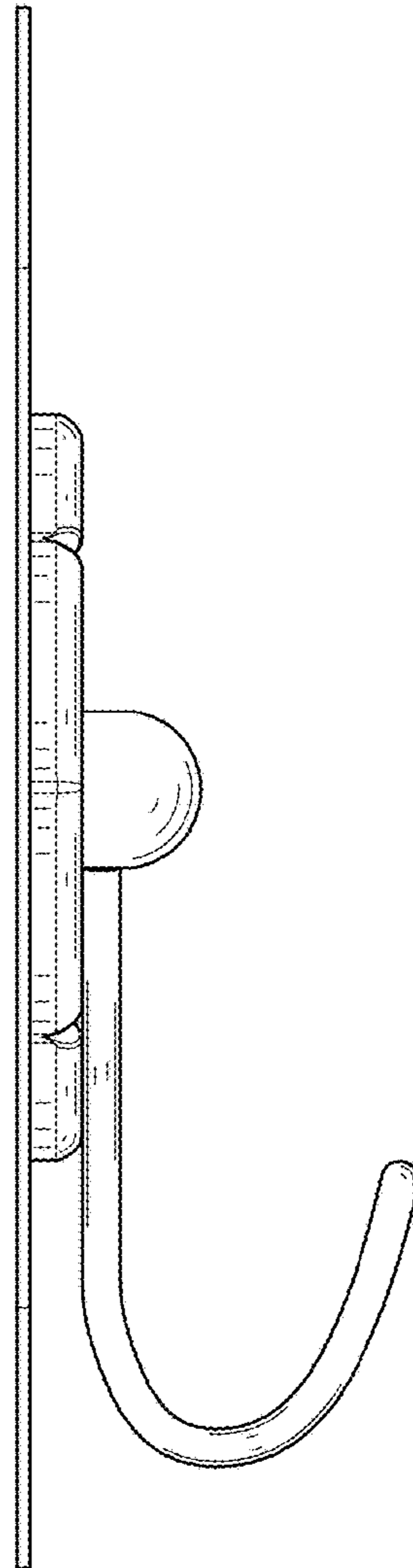


FIG.4

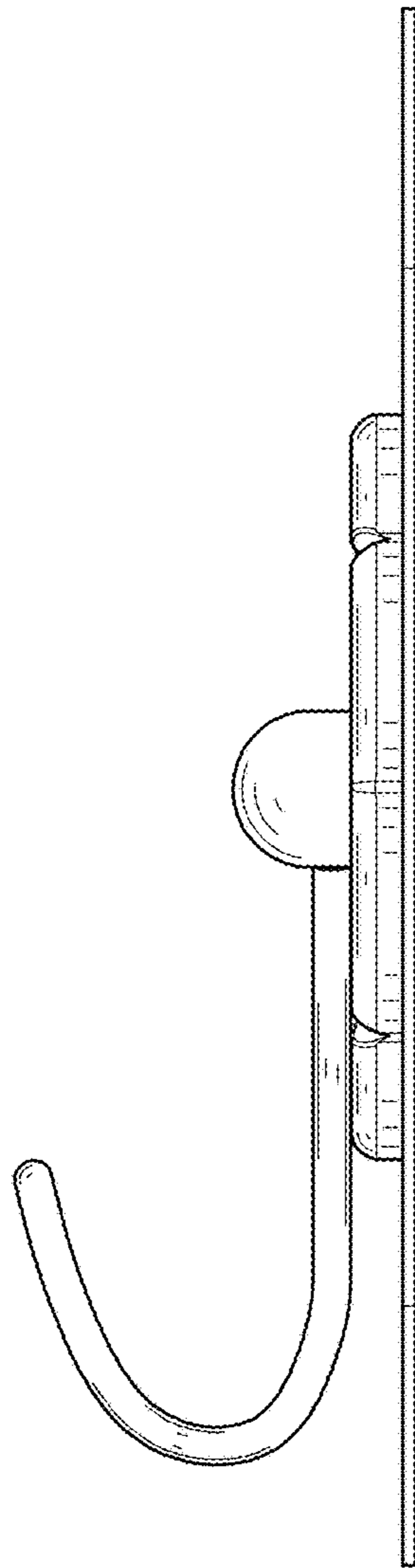


FIG.5

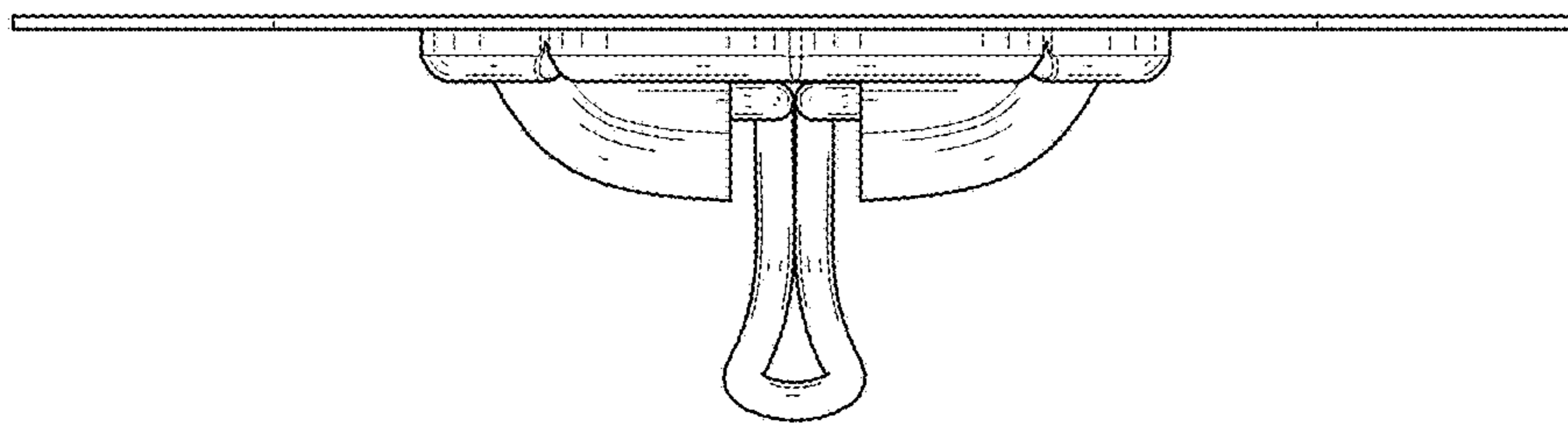


FIG.6

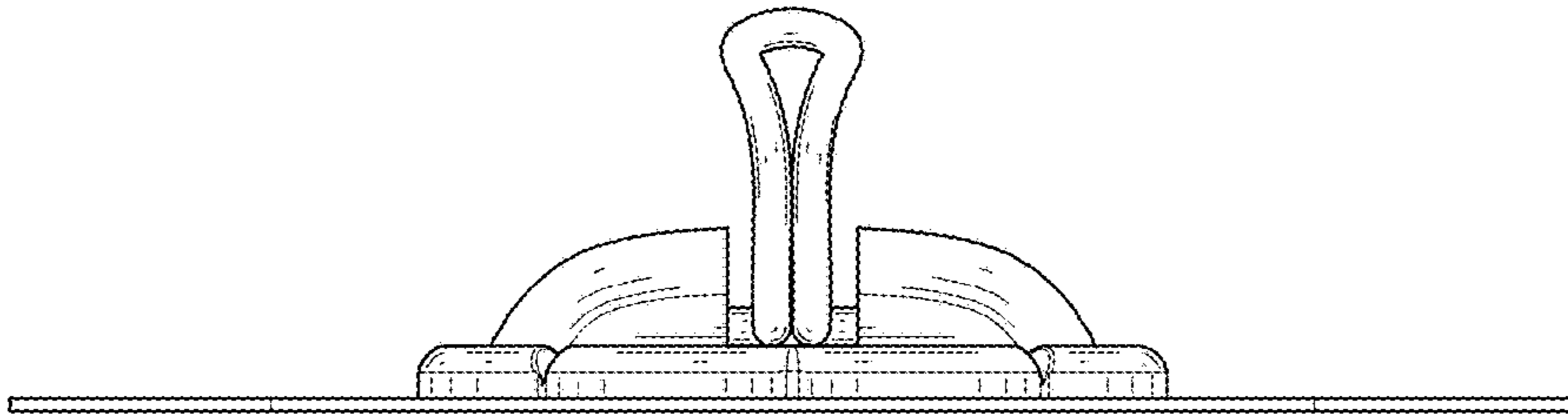


FIG.7