

US00D864699S

(12) **United States Design Patent** (10) **Patent No.:** **US D864,699 S**  
**Blaney** (45) **Date of Patent:** **\*\* Oct. 29, 2019**

- (54) **STROLLER HOOK**
- (71) Applicant: **Michael P. Blaney**, Rotunda West, FL (US)
- (72) Inventor: **Michael P. Blaney**, Rotunda West, FL (US)
- (\*\*) Term: **15 Years**
- (21) Appl. No.: **29/664,285**
- (22) Filed: **Sep. 24, 2018**
- (51) **LOC (12) Cl.** ..... **08-05**
- (52) **U.S. Cl.**  
USPC ..... **D8/367**
- (58) **Field of Classification Search**  
USPC ..... D8/367, 356, 354, 349, 18, 105, 368, D8/397; D11/208, 218; 248/341; 224/217; D6/323  
CPC ..... A45F 5/021; A45F 5/102; A44B 13/0029; F16B 45/00; F16M 13/02; A45C 13/03  
See application file for complete search history.

- D795,678 S \* 8/2017 Early ..... D8/367
  - D801,160 S \* 10/2017 Westcott ..... D8/367
  - D802,399 S \* 11/2017 Ward ..... D8/367
  - D802,400 S 11/2017 Man
  - D814,910 S \* 4/2018 Schmidt ..... D8/367
- (Continued)

**OTHER PUBLICATIONS**

Stroller Hook, Seller BabyBubz, Amazon website [date accessed Apr. 15, 2018]: [https://www.amazon.com/Stroller-Hook-Groceries-Clothing-Accessory/dp/B00CYRYUXU/ref=sr\\_1\\_4\\_a\\_it?ie=UTF8&qid=1534951381&sr=8-4&keywords=stroller+hook&dpID=41fnPtfHILL&preST=\\_SY300\\_QL70\\_&dpSrc=srch](https://www.amazon.com/Stroller-Hook-Groceries-Clothing-Accessory/dp/B00CYRYUXU/ref=sr_1_4_a_it?ie=UTF8&qid=1534951381&sr=8-4&keywords=stroller+hook&dpID=41fnPtfHILL&preST=_SY300_QL70_&dpSrc=srch) Earliest Date of Sale: Jun. 2013.

(Continued)

*Primary Examiner* — Cynthia R Underwood  
(74) *Attorney, Agent, or Firm* — SRIPLAW, P.A.; Joseph A. Dunne

(57) **CLAIM**

The ornamental design for a stroller hook, as shown and described.

**DESCRIPTION**

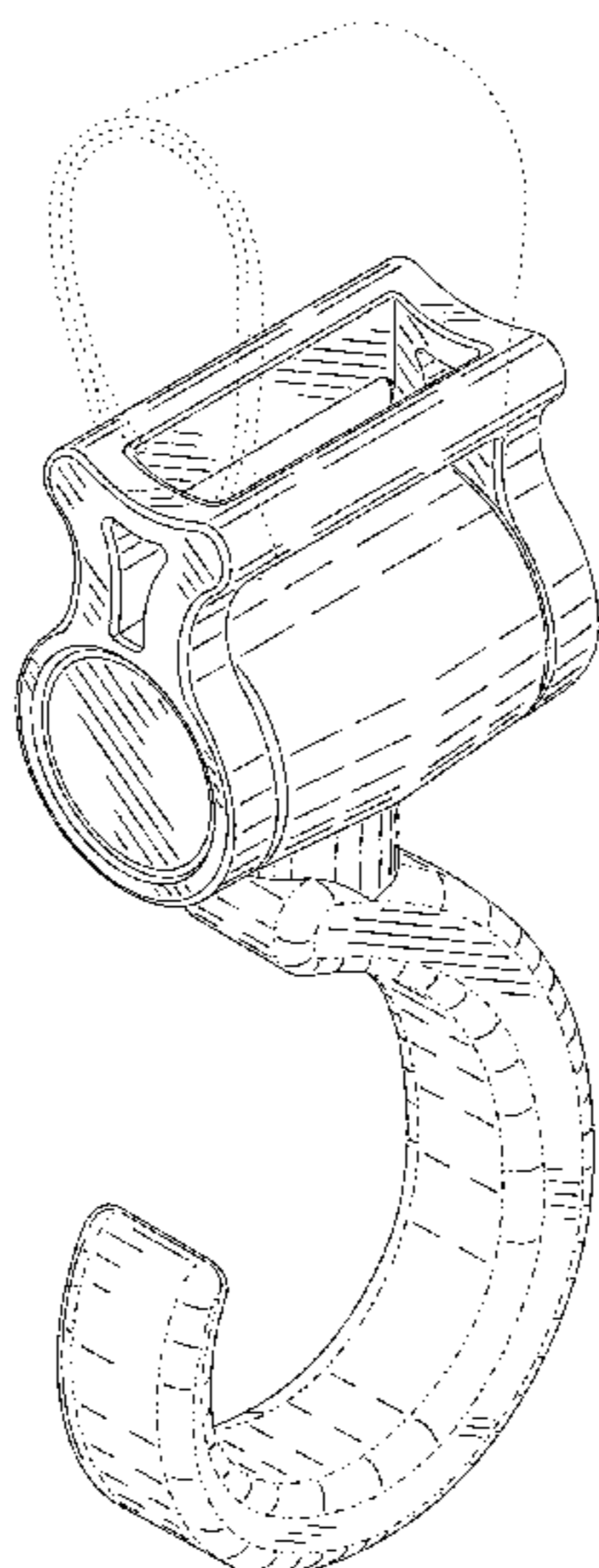
FIG. 1 is a front isometric view of my new design for a stroller hook;  
FIG. 2 is a rear isometric view thereof;  
FIG. 3 is a front view thereof;  
FIG. 4 is a back view thereof;  
FIG. 5 is a left side view thereof;  
FIG. 6 is a right side view thereof;  
FIG. 7 is an enlarged top view thereof; and,  
FIG. 8 is an enlarged bottom view thereof.  
With respect to the drawings, the broken lines shown in the drawings are for the purpose of illustrating portions of the stroller hook that form no part of the claimed design. The surface shading and phantom lines are provided merely to highlight the contour of the design.

**1 Claim, 8 Drawing Sheets**

(56) **References Cited**

**U.S. PATENT DOCUMENTS**

5,464,183	A	11/1995	McConnell et al.	
5,645,204	A	7/1997	Struzer	
5,704,527	A	1/1998	Struzer	
6,238,125	B1	5/2001	Lin	
6,360,836	B1	3/2002	Milano, Jr. et al.	
6,964,429	B2	11/2005	Suga et al.	
D623,505	S *	9/2010	Tu	D8/367
D669,763	S	10/2012	Abels	
D686,488	S	7/2013	Abels	
8,899,799	B1	12/2014	Fairhurst	
8,997,948	B2	4/2015	Li et al.	
D728,350	S *	5/2015	Tu	D8/367
9,101,227	B2	8/2015	Zehfuss	
D740,722	S	10/2015	Bennett et al.	
D755,529	S *	5/2016	Schlang	D6/328
D763,065	S *	8/2016	Tu	D8/367
D767,977	S	10/2016	Man	



(56)

**References Cited**

U.S. PATENT DOCUMENTS

D817,157 S \* 5/2018 Mehr ..... D8/367  
D850,244 S \* 6/2019 Goodman ..... D8/367

OTHER PUBLICATIONS

Attmu 2 Pack Stroller Hooks, Seller Attmu Group, Amazon website  
[date accessed Apr. 15, 2018]: [https://www.amazon.com/Attmu-Stroller-Purpose-Accessories-Shopping/dp/B07449RFCJ/ref=sr\\_1\\_17\\_a\\_it?ie=UTF8&qid=1534951381&sr=8-17&keywords=stroller+hook](https://www.amazon.com/Attmu-Stroller-Purpose-Accessories-Shopping/dp/B07449RFCJ/ref=sr_1_17_a_it?ie=UTF8&qid=1534951381&sr=8-17&keywords=stroller+hook). Earliest Date of Sale: Apr. 2015.

\* cited by examiner

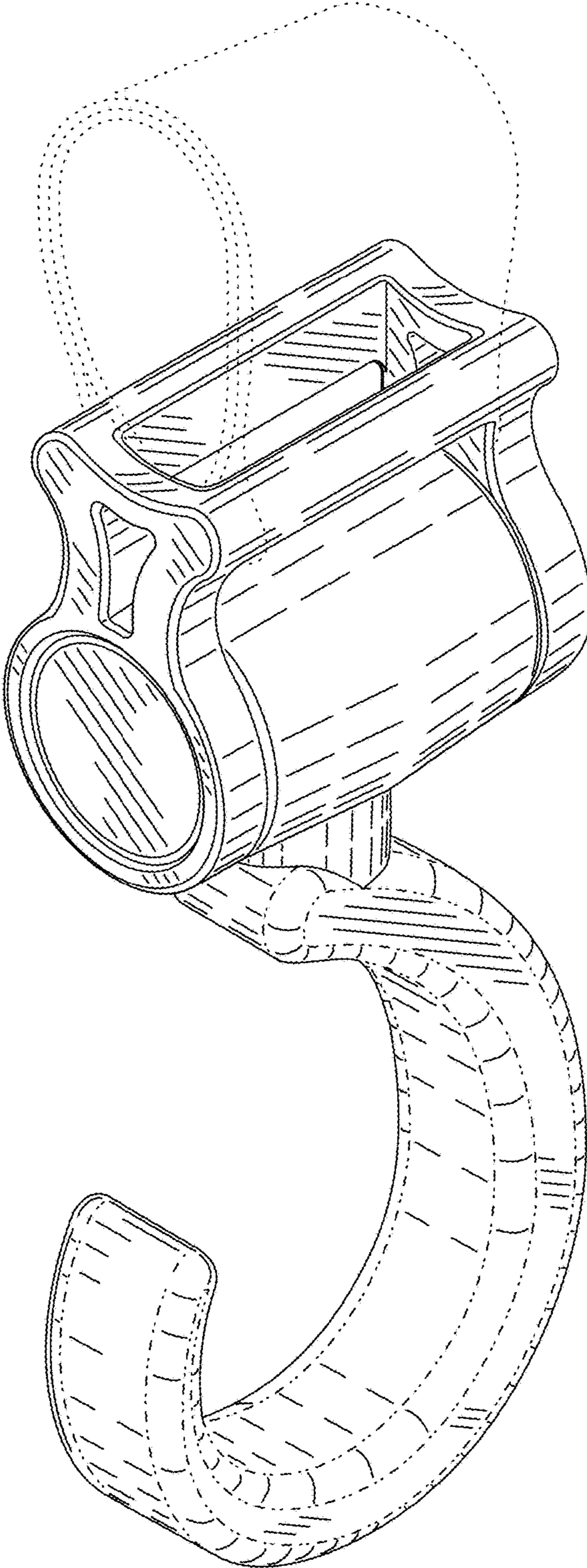


FIG. 1

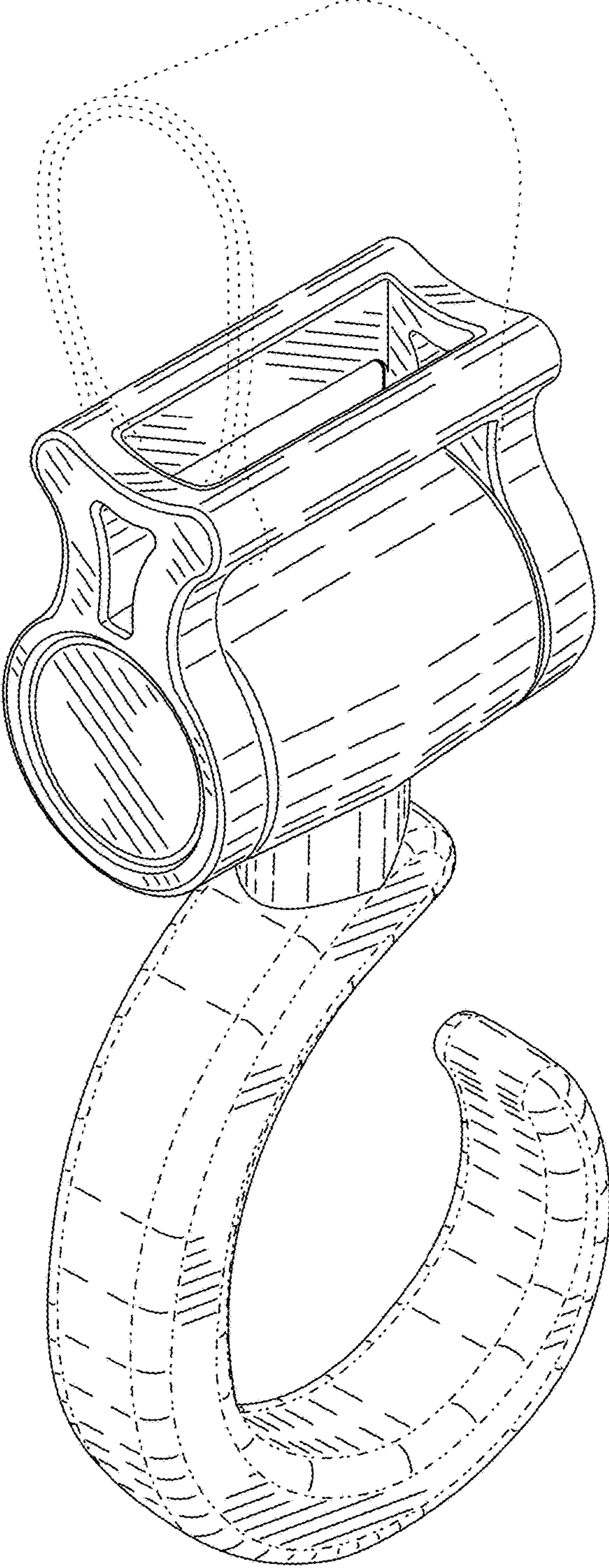


FIG. 2

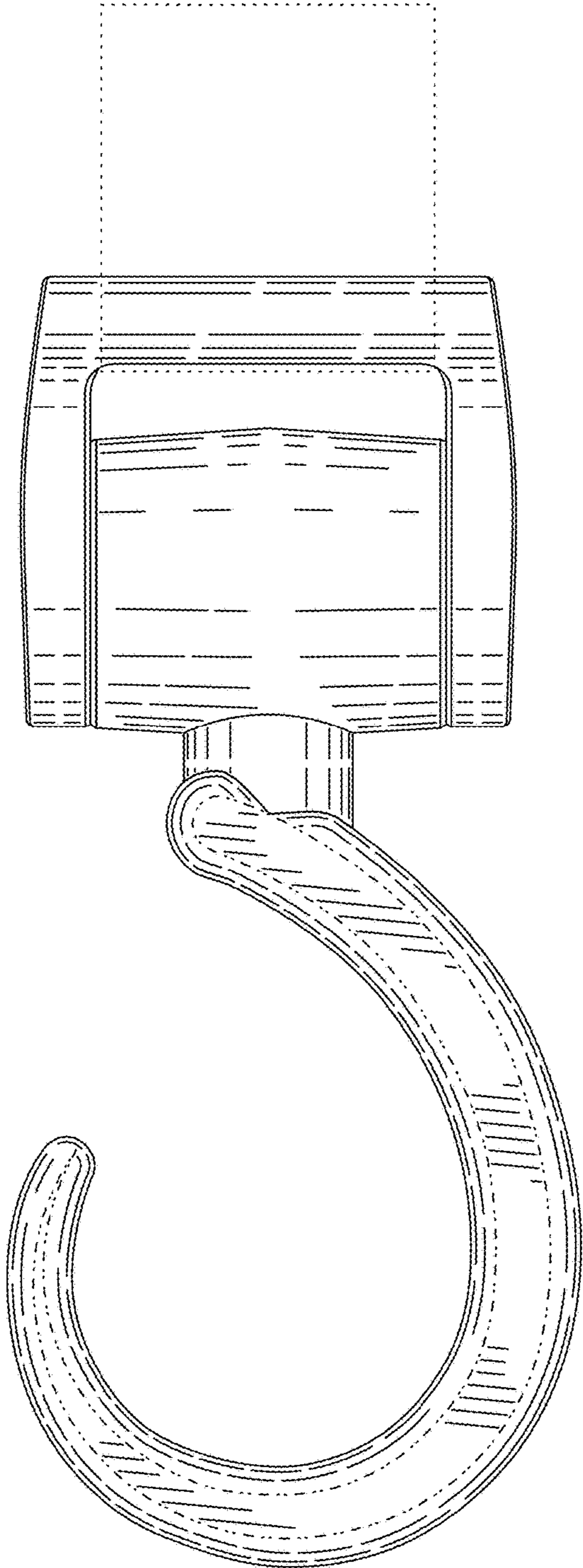


FIG. 3

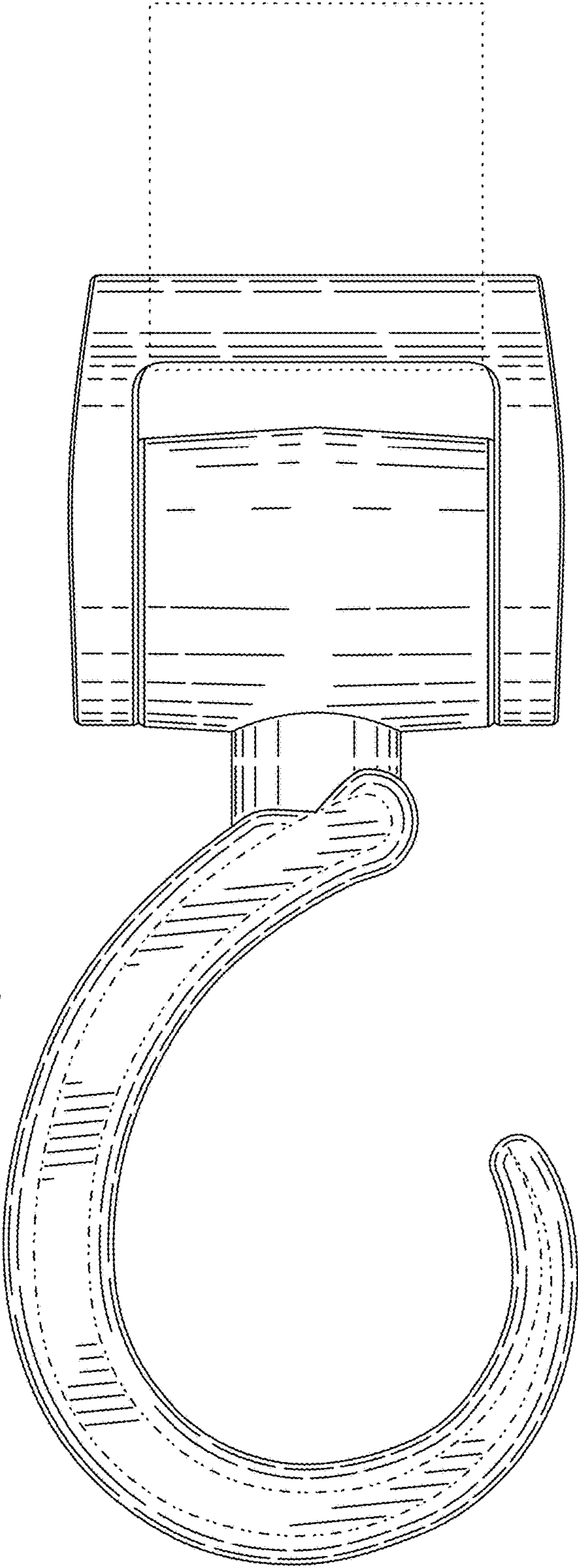


FIG. 4

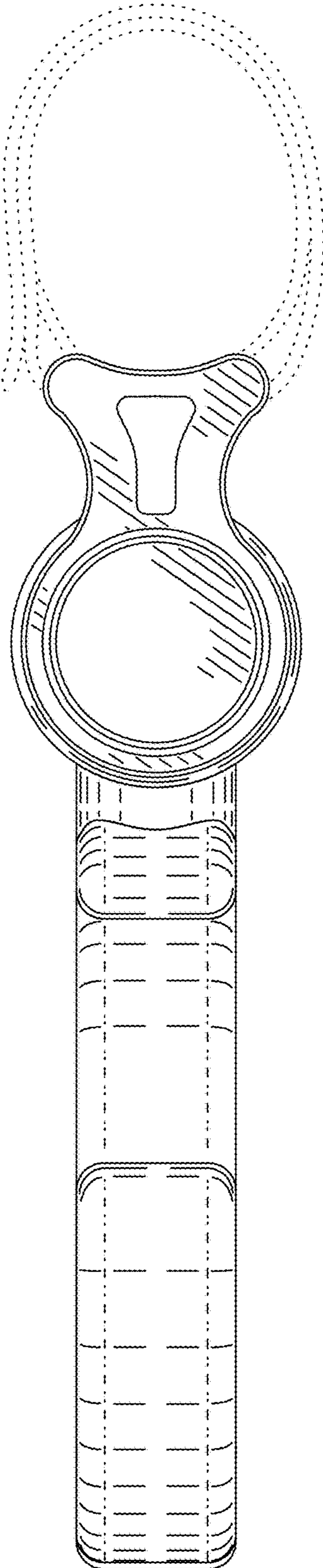


FIG. 5

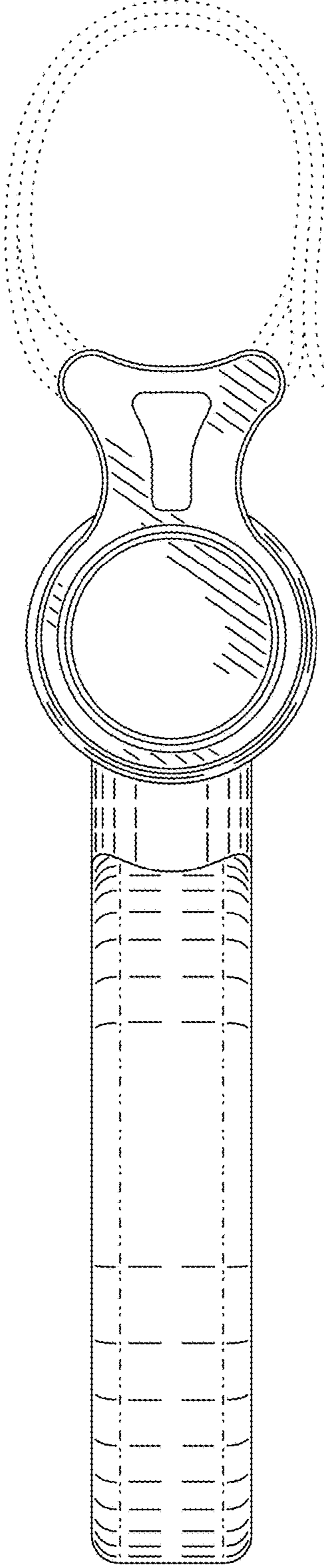


FIG. 6



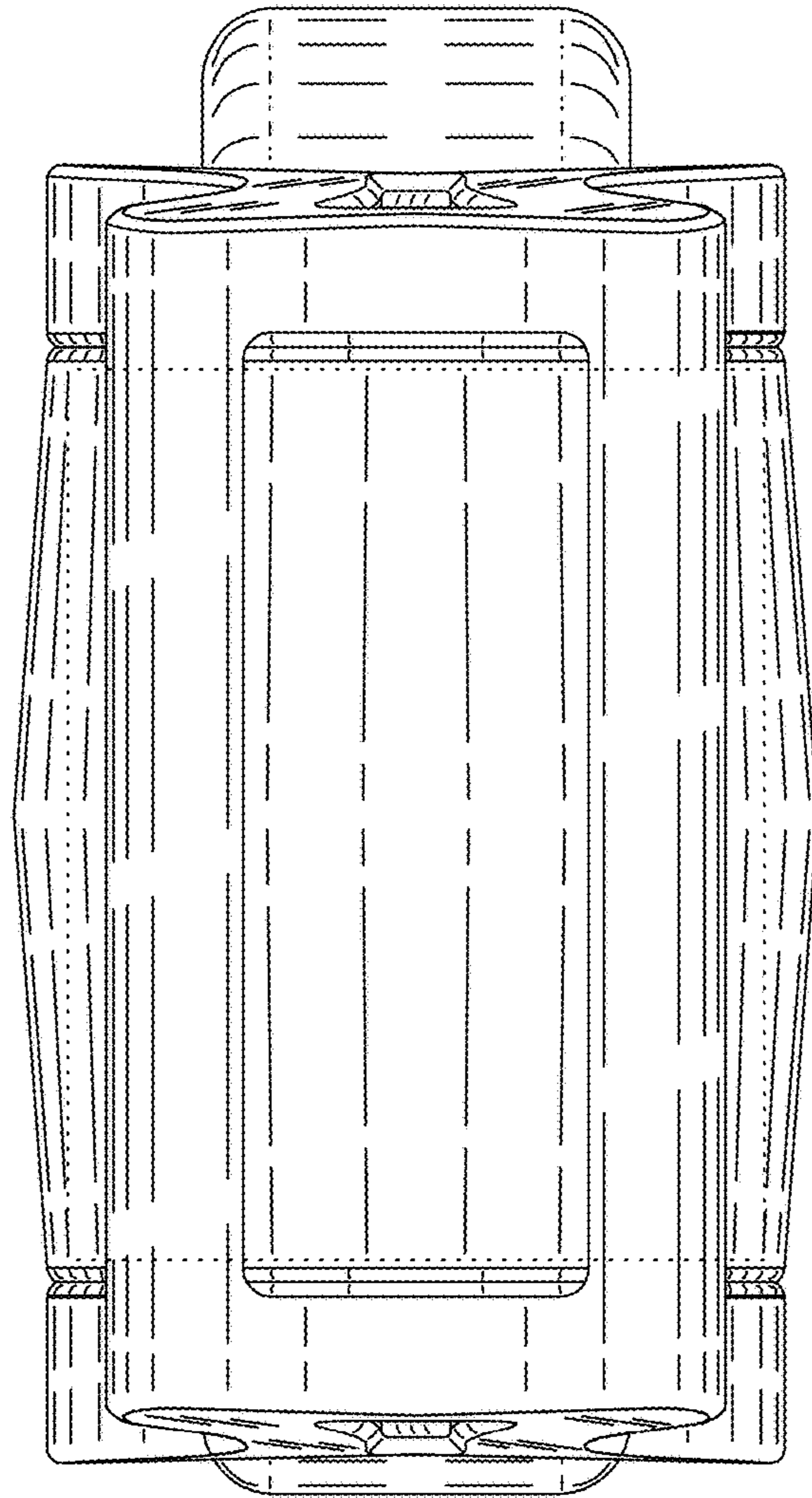


FIG. 7

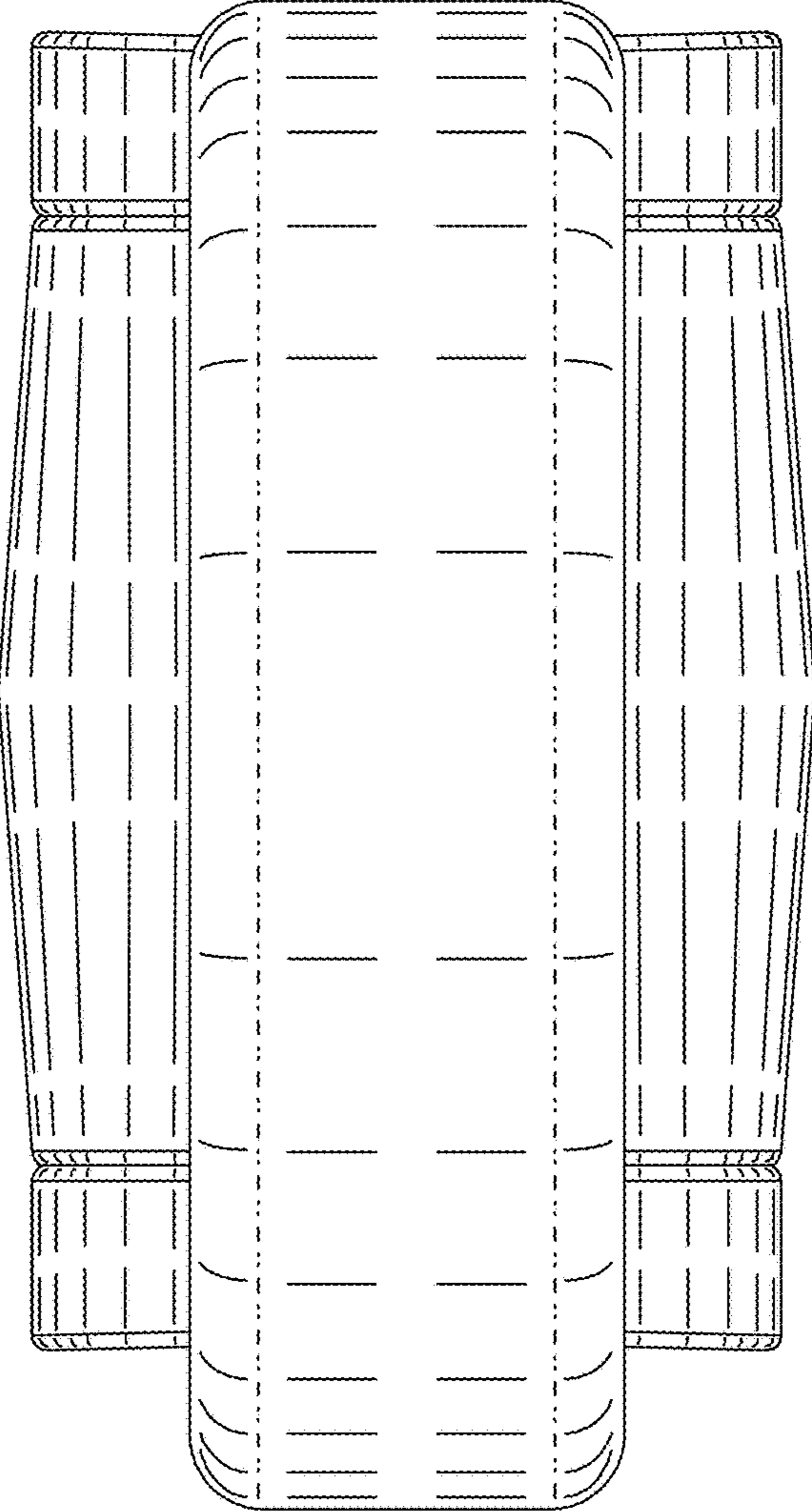


FIG. 8