



US00D864696S

(12) **United States Design Patent** (10) **Patent No.:** **US D864,696 S**  
**Jhun et al.** (45) **Date of Patent:** **\*\* Oct. 29, 2019**

- (54) **PRESENTATION CABLE CADDY**
- (71) Applicant: **Crestron Electronics, Inc.**, Rockleigh, NJ (US)
- (72) Inventors: **Sae Jhun**, Bayside, NY (US); **Wendy Feldstein**, Old Tappan, NJ (US)
- (73) Assignee: **Crestron Electronics, Inc.**, Rockleigh, NJ (US)
- (\*\*) Term: **15 Years**
- (21) Appl. No.: **29/658,404**
- (22) Filed: **Jul. 31, 2018**
- (51) **LOC (12) Cl.** ..... **09-06**
- (52) **U.S. Cl.**  
USPC ..... **D8/356**
- (58) **Field of Classification Search**  
USPC ..... D8/356, 354, 349, 360; D30/139;  
D11/218; 24/129 R  
See application file for complete search history.

- D736,833 S \* 8/2015 Lee ..... D15/5
- D752,339 S \* 3/2016 Hoover ..... D3/23
- D758,836 S \* 6/2016 Symons ..... D8/383
- D803,666 S \* 11/2017 Morley ..... D8/356
- D813,015 S \* 3/2018 O'Brien ..... D8/356
- D814,273 S \* 4/2018 Karpanty ..... D8/356
- D831,468 S \* 10/2018 Morley ..... D8/356
- D841,443 S \* 2/2019 Foster, II ..... D8/360.1

\* cited by examiner

*Primary Examiner* — Cynthia R Underwood  
(74) *Attorney, Agent, or Firm* — Crestron Electronics, Inc.

(57) **CLAIM**

The ornamental design for a presentation cable caddy, as shown and described.

**DESCRIPTION**

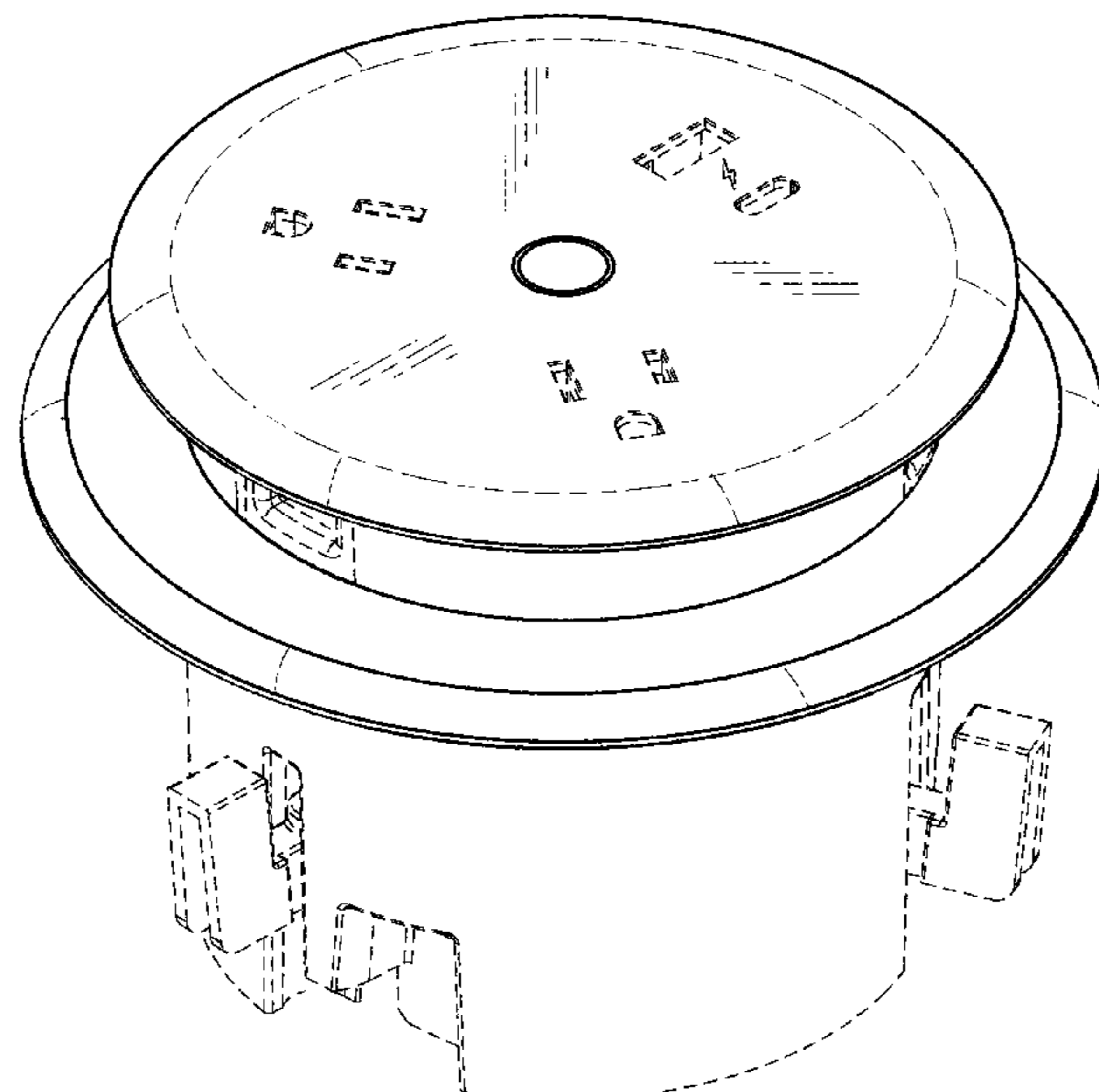
FIG. 1 illustrates a top-right perspective view of a presentation cable caddy.  
 FIG. 2 illustrates bottom-left perspective view of a presentation cable caddy.  
 FIG. 3 illustrates a front elevation view of a presentation cable caddy.  
 FIG. 4 illustrates a rear elevation view of a presentation cable caddy.  
 FIG. 5 illustrates a right elevation view of a presentation cable caddy.  
 FIG. 6 illustrates a left elevation view of a presentation cable caddy.  
 FIG. 7 illustrates a top plan view of a presentation cable caddy; and,  
 FIG. 8 illustrates a bottom plan view of a presentation cable caddy.  
 The broken line portion of the figure drawings is included to show unclaimed subject matter only and forms no part of the claimed design.

**1 Claim, 8 Drawing Sheets**

(56) **References Cited**

**U.S. PATENT DOCUMENTS**

- 3,066,372 A \* 12/1962 Parker ..... A01K 91/04  
24/128
- D257,321 S \* 10/1980 Voorhees, Jr. .... D8/356
- D313,340 S \* 1/1991 Stathis ..... D8/356
- D428,796 S \* 8/2000 van Ochten ..... D8/349
- 7,121,829 B2 \* 10/2006 Day ..... A61C 8/0087  
433/163
- D569,349 S \* 5/2008 Preston ..... D13/156
- D631,730 S \* 2/2011 Skillman ..... B65H 75/143  
D8/356
- D682,909 S \* 5/2013 Kim ..... 24/115 R
- D707,106 S \* 6/2014 Crouse ..... D8/356
- D707,107 S \* 6/2014 Crouse ..... D8/356
- D731,555 S \* 6/2015 Lee ..... D15/5
- D735,020 S \* 7/2015 Bradford ..... D8/356



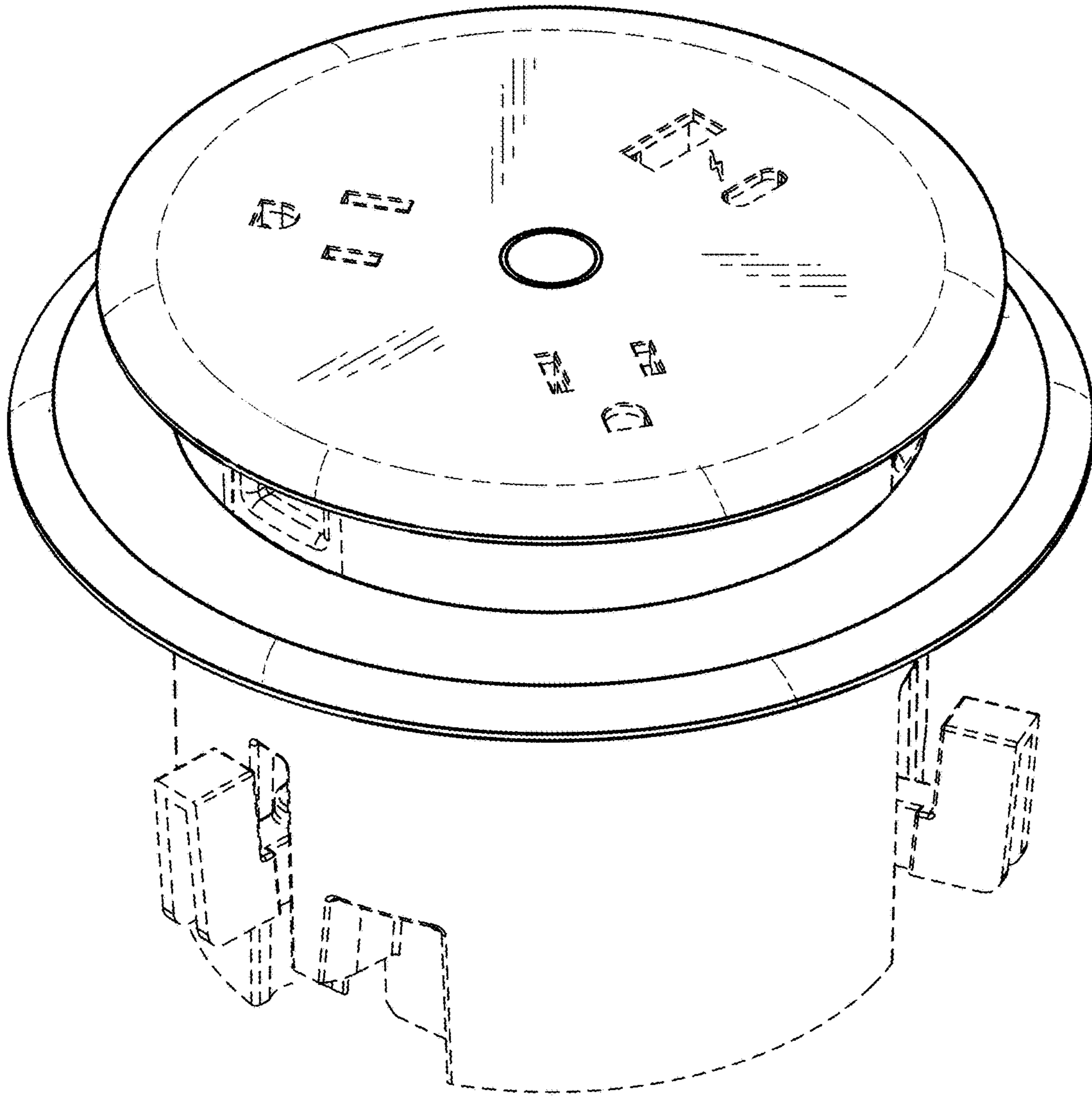


FIG. 1

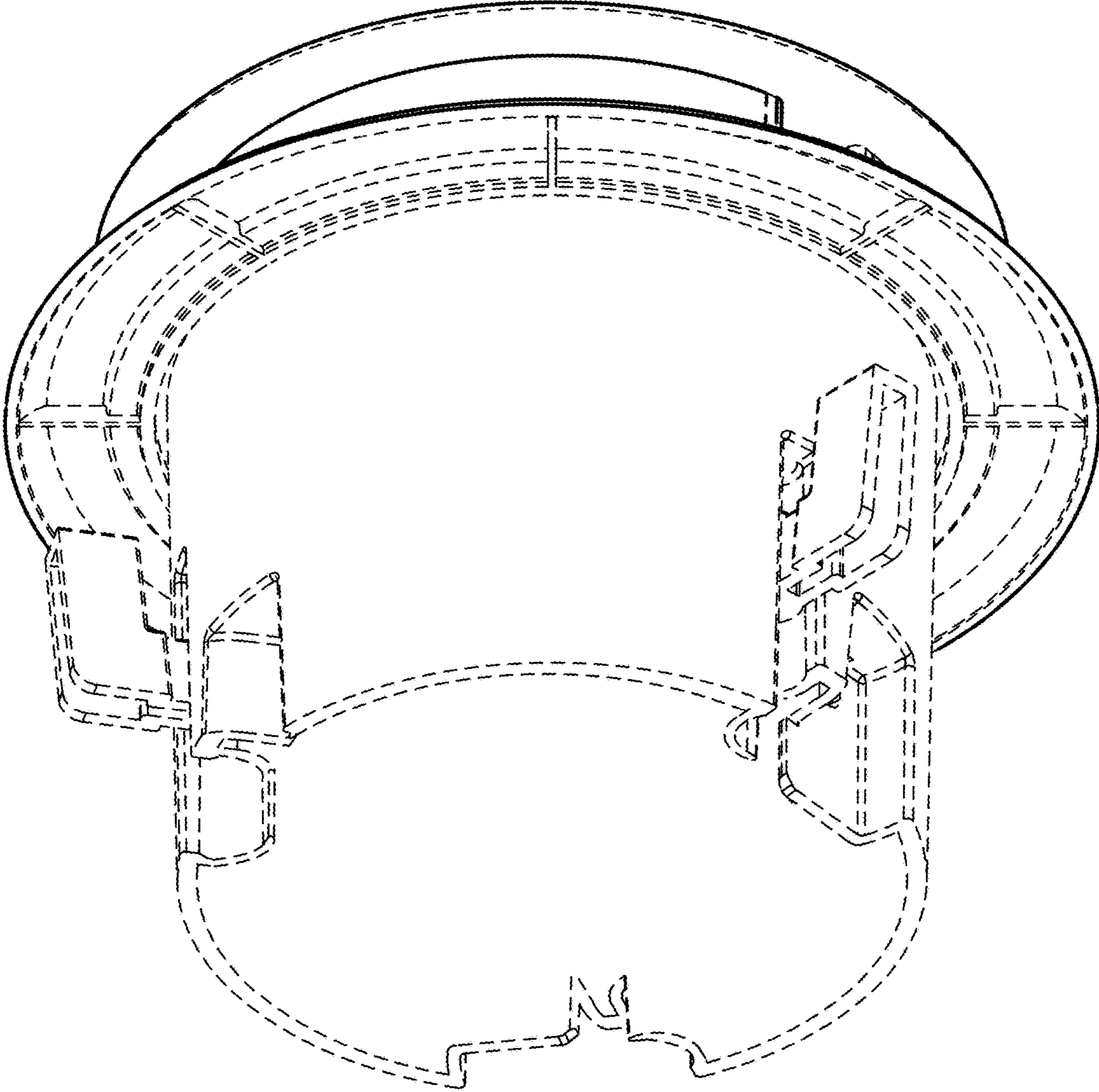


FIG. 2

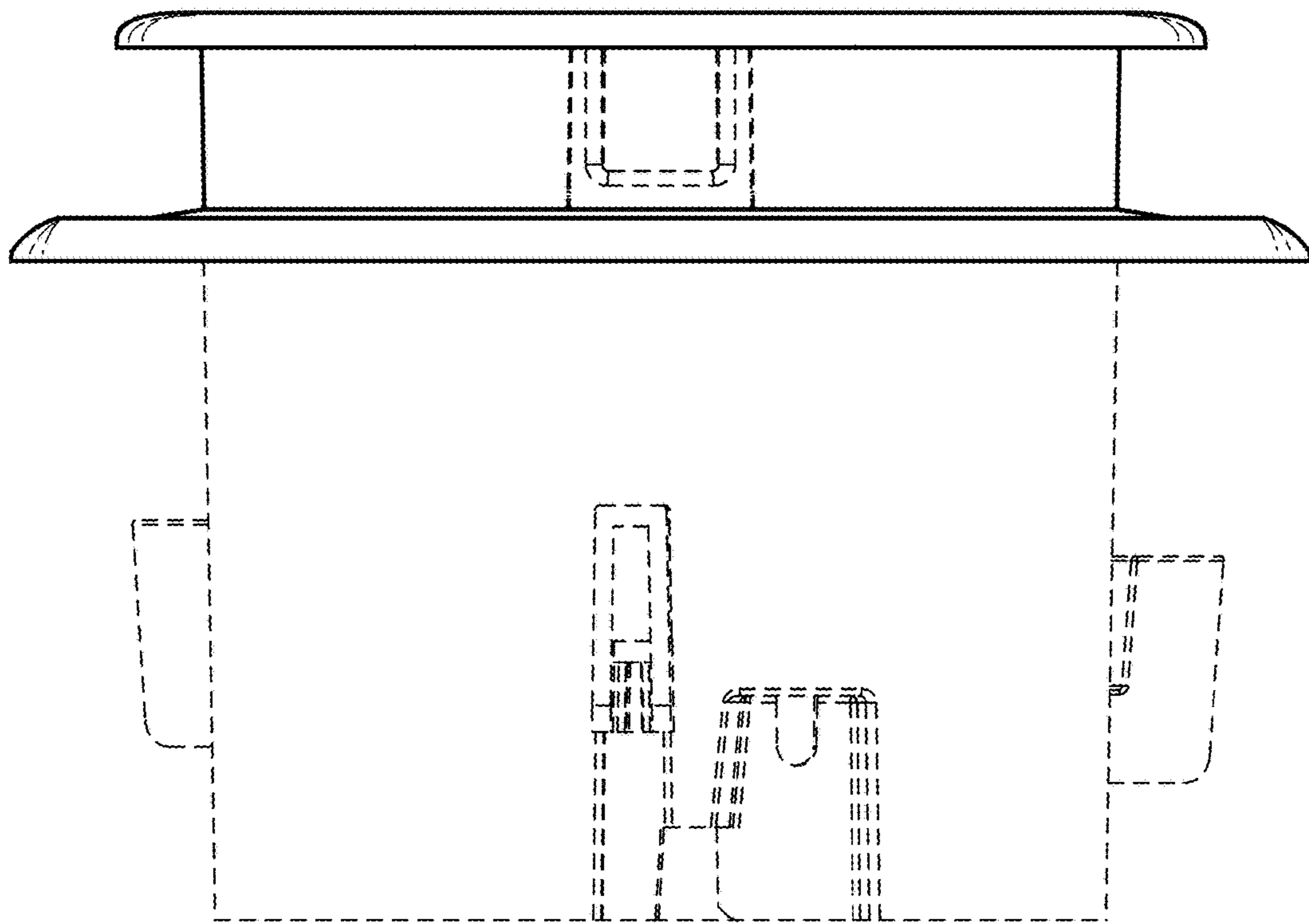


FIG. 3

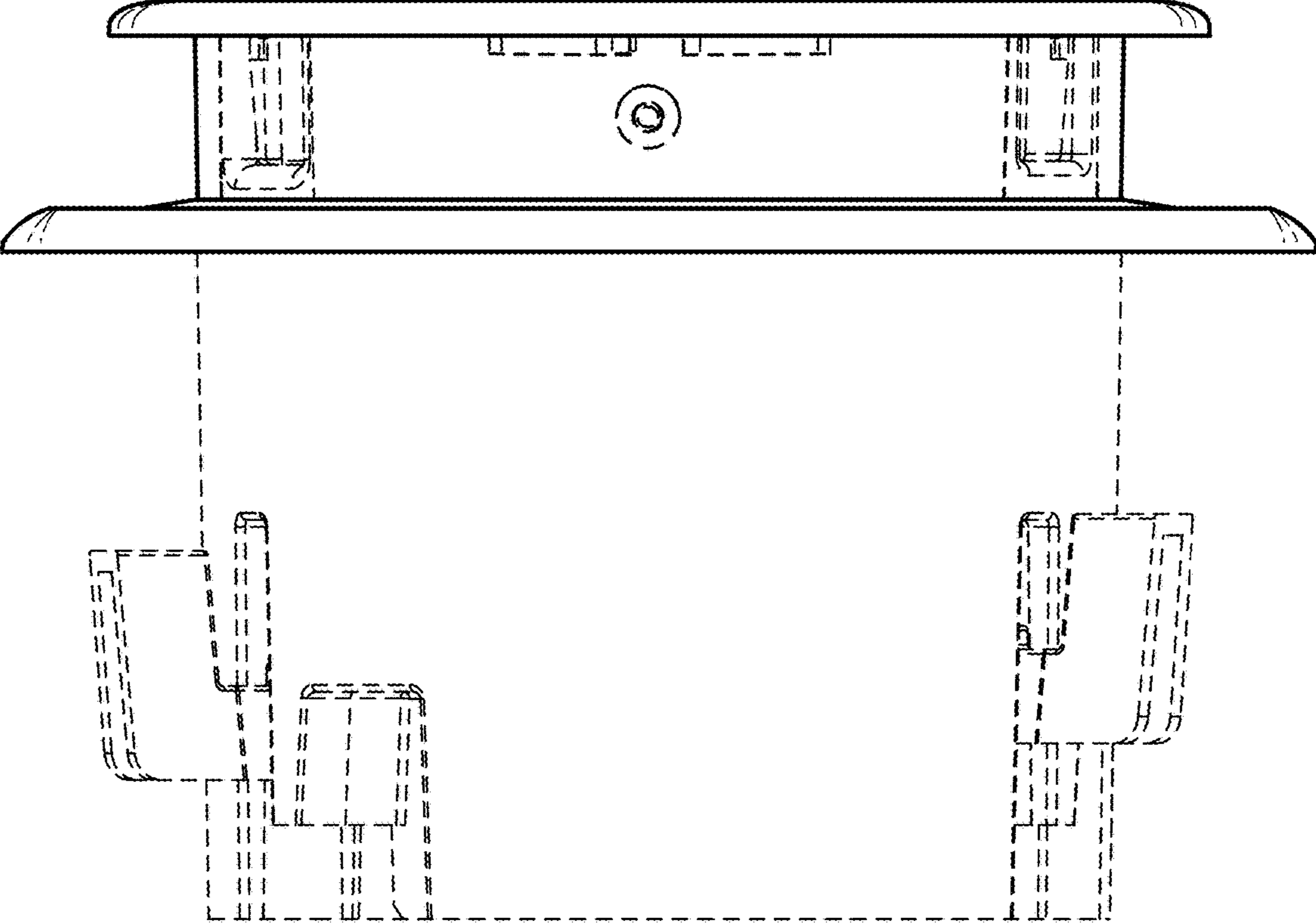


FIG. 4

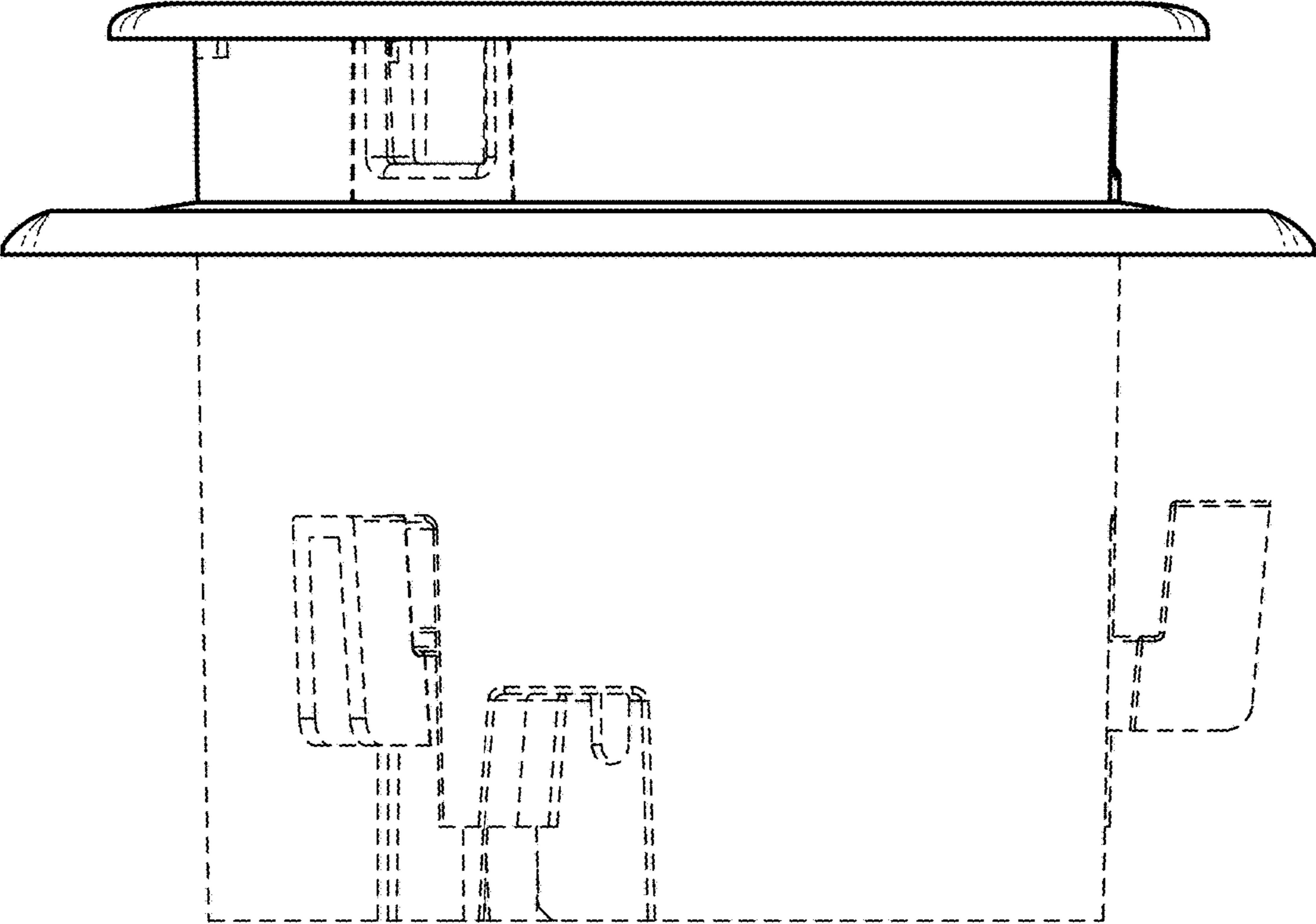


FIG. 5

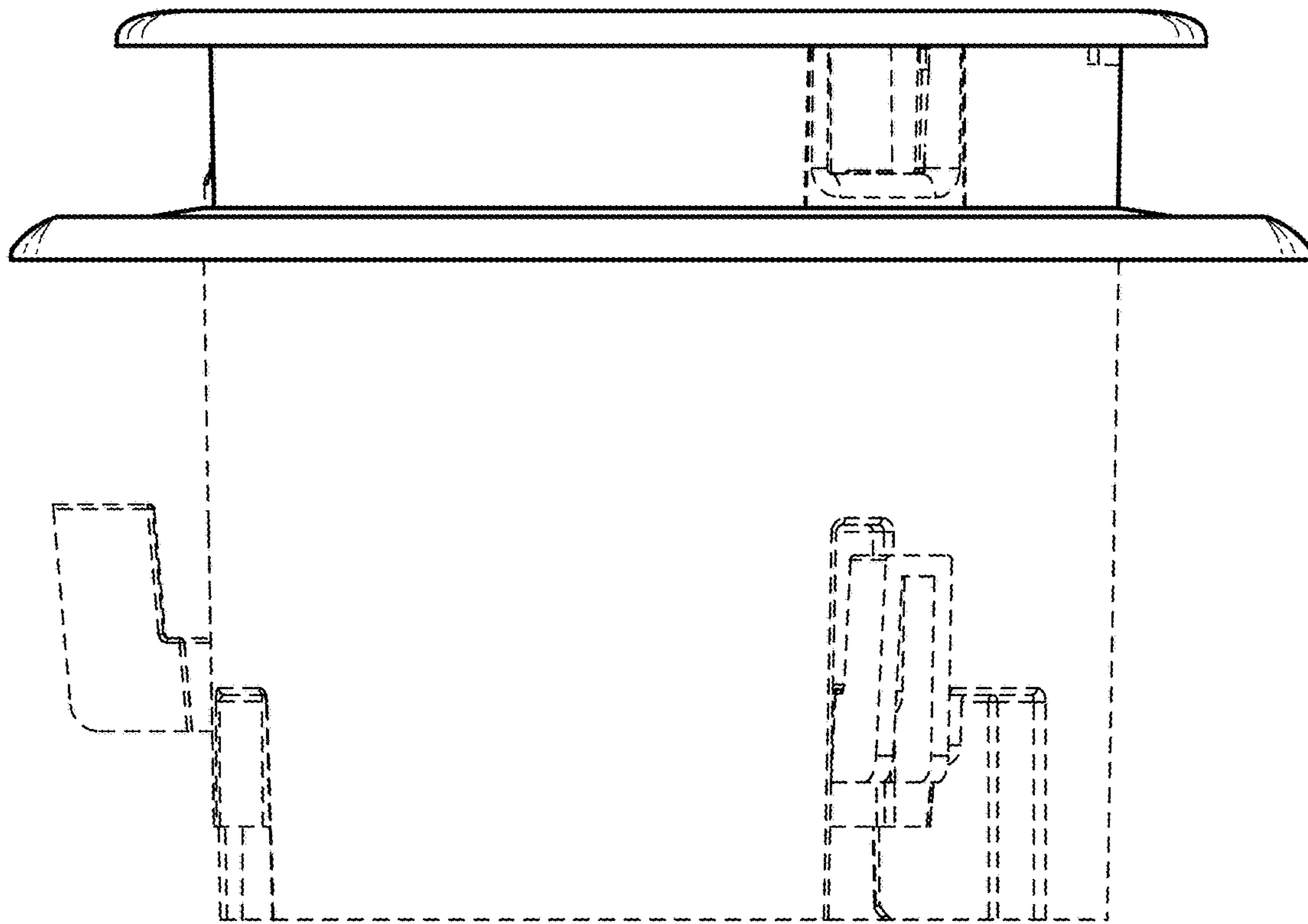


FIG. 6

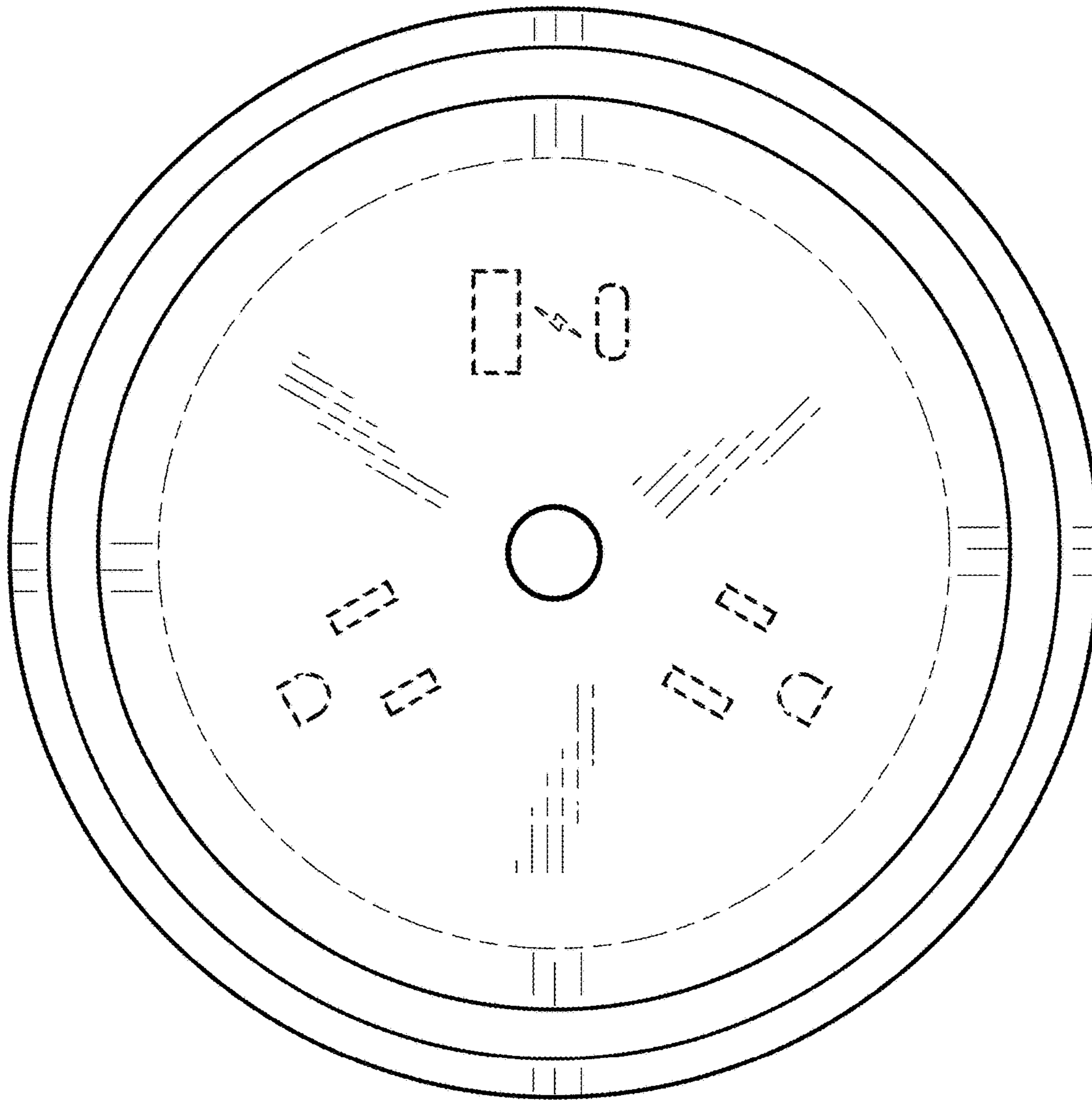


FIG. 7



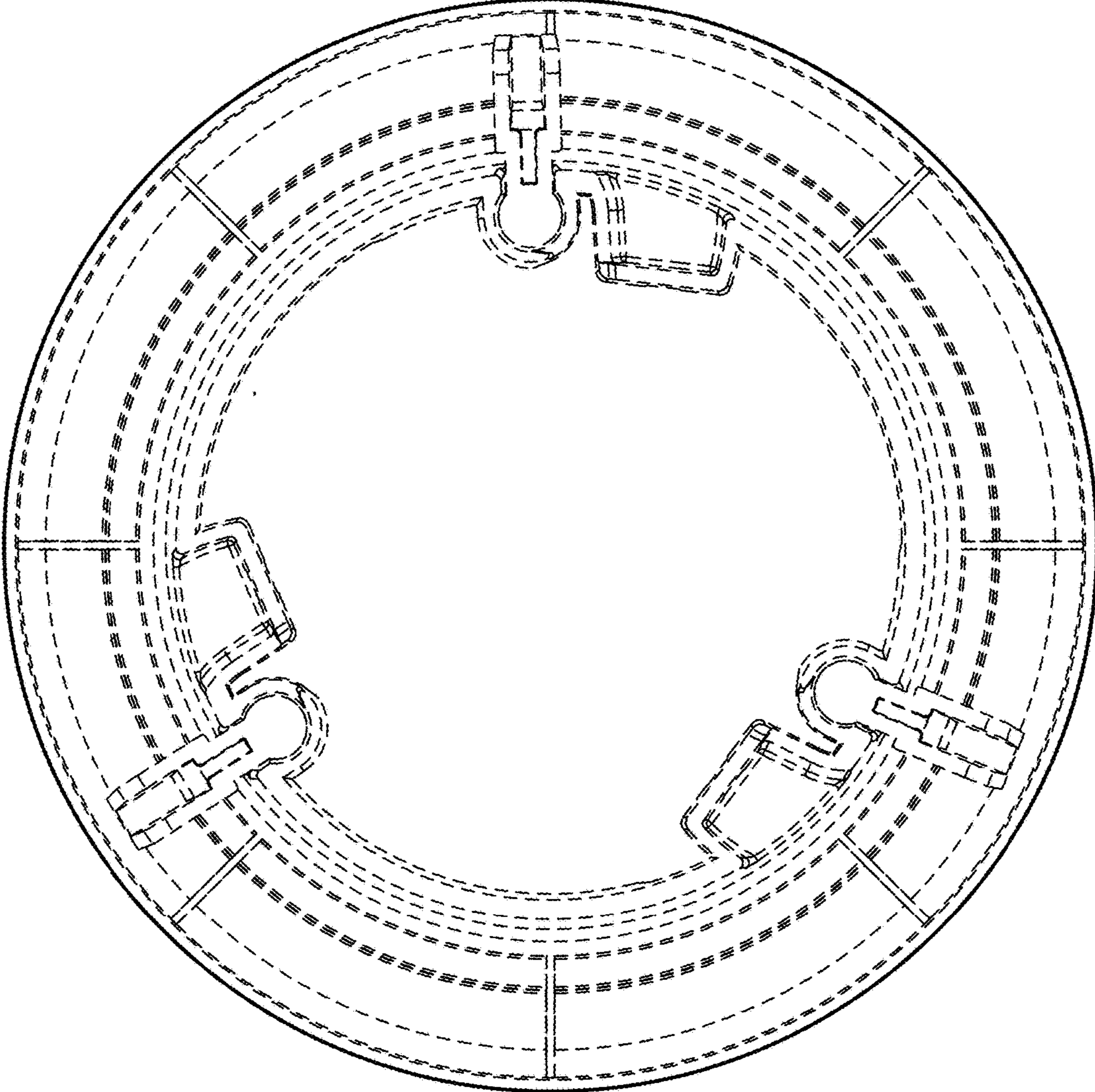


FIG. 8