



US00D864691S

(12) **United States Design Patent**
Campos

(10) **Patent No.:** **US D864,691 S**

(45) **Date of Patent:** **** Oct. 29, 2019**

(54) **FRONT AND REAR ENGINE COVER
ALIGNMENT TOOL AND SEAL INSTALLER**

(71) Applicant: **Christian Campos**, Rancho Cordova,
CA (US)

(72) Inventor: **Christian Campos**, Rancho Cordova,
CA (US)

(**) Term: **15 Years**

(21) Appl. No.: **29/567,928**

(22) Filed: **Jun. 14, 2016**

(51) **LOC (12) Cl.** **08-05**

(52) **U.S. Cl.**
USPC **D8/71**

(58) **Field of Classification Search**
USPC D8/71, 359, 352, 357, 396, 399, 499
CPC . B25B 27/00; B25B 27/0007; B25B 27/0028;
B25B 27/0092
See application file for complete search history.

(56) **References Cited**

U.S. PATENT DOCUMENTS

4,701,989	A *	10/1987	Cayzer	B23K 37/0536 269/48.1
4,916,792	A *	4/1990	Haubus	B25B 27/0064 269/48.1
5,068,953	A *	12/1991	Semotiuk	B25B 27/10 29/235
5,203,064	A *	4/1993	Johnson	B25B 27/24 29/271
5,216,793	A *	6/1993	Semotiuk	B25B 27/10 29/235
6,196,779	B1 *	3/2001	Falk	B25B 31/005 408/79
D529,145	S *	9/2006	Wortmann	D23/269
D536,071	S *	1/2007	Wortmann	D23/269
D605,739	S *	12/2009	Henry	D23/269
7,946,199	B2 *	5/2011	Bradley	H01R 13/622 439/578

D699,328	S *	2/2014	Haynes	D23/269
D734,436	S *	7/2015	Raether	D23/259
D737,415	S *	8/2015	Sato	D23/269
9,428,370	B1 *	8/2016	Walton	F16H 55/36
9,844,863	B1 *	12/2017	Krause	B25B 27/0028

(Continued)

Primary Examiner — Keli L Hill

Assistant Examiner — Harold E Blackwell, II

(74) *Attorney, Agent, or Firm* — Heisler & Associates

(57) **CLAIM**

The ornamental design for a front and rear engine cover alignment tool and seal installer, as shown and described.

DESCRIPTION

FIG. 1 is a perspective view of a front and rear engine cover alignment tool and seal installer according to a first embodiment;

FIG. 2 is a right side view of the invention, the left side view being a mirror image;

FIG. 3 is a front elevation view of the invention;

FIG. 4 is a rear elevation view of the invention;

FIG. 5 is a full section view of the invention;

FIG. 6 is a perspective view of the invention in use;

FIG. 7 is a perspective view of a second embodiment of the front and rear engine cover alignment tool and seal installer;

FIG. 8 is a right side view of a second embodiment of the invention, the left side view being a mirror image;

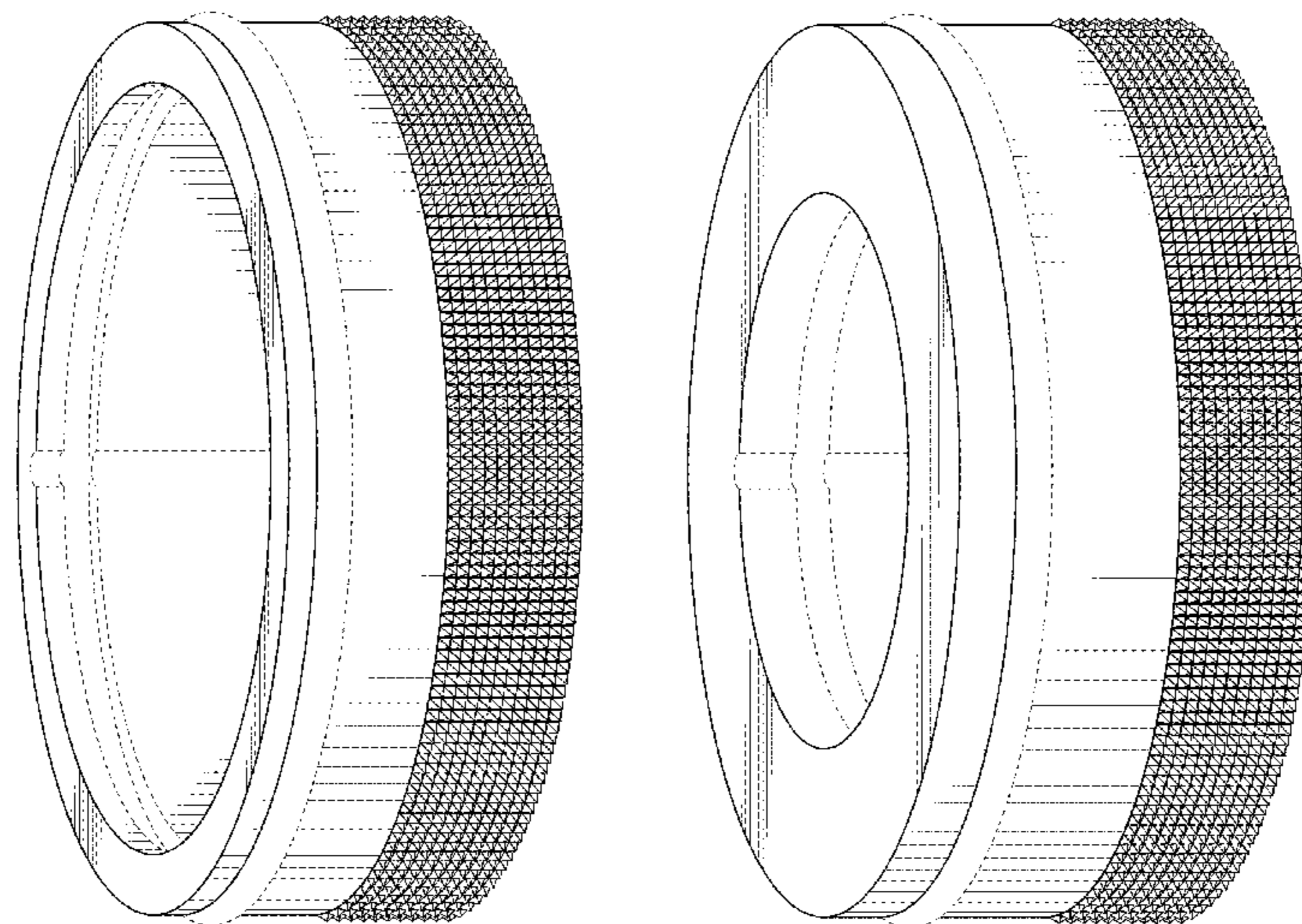
FIG. 9 is a front elevation view of a second embodiment of the invention;

FIG. 10 is a rear elevation view of a second embodiment of the invention; and,

FIG. 11 is a full section view of a second embodiment of the invention.

The broken lines in the drawings represent unclaimed environmental subject matter and form no part of the claim or features that form no part of the claimed design.

1 Claim, 11 Drawing Sheets



(56)

References Cited

U.S. PATENT DOCUMENTS

10,309,456	B2 *	6/2019	Muehling	F16C 35/02
2004/0178398	A1 *	9/2004	Miller	F16H 55/44
					254/390

* cited by examiner

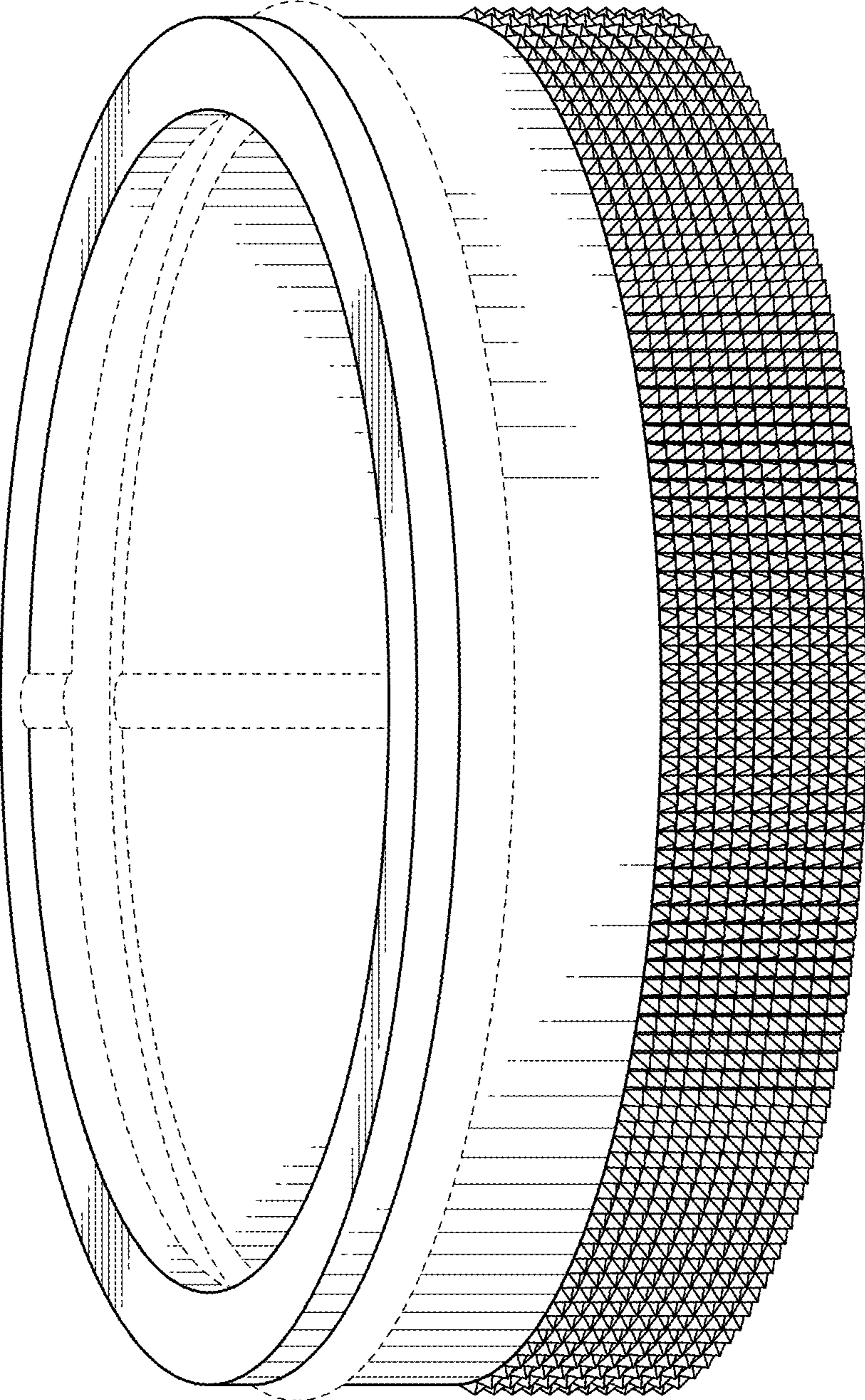


FIG. 1

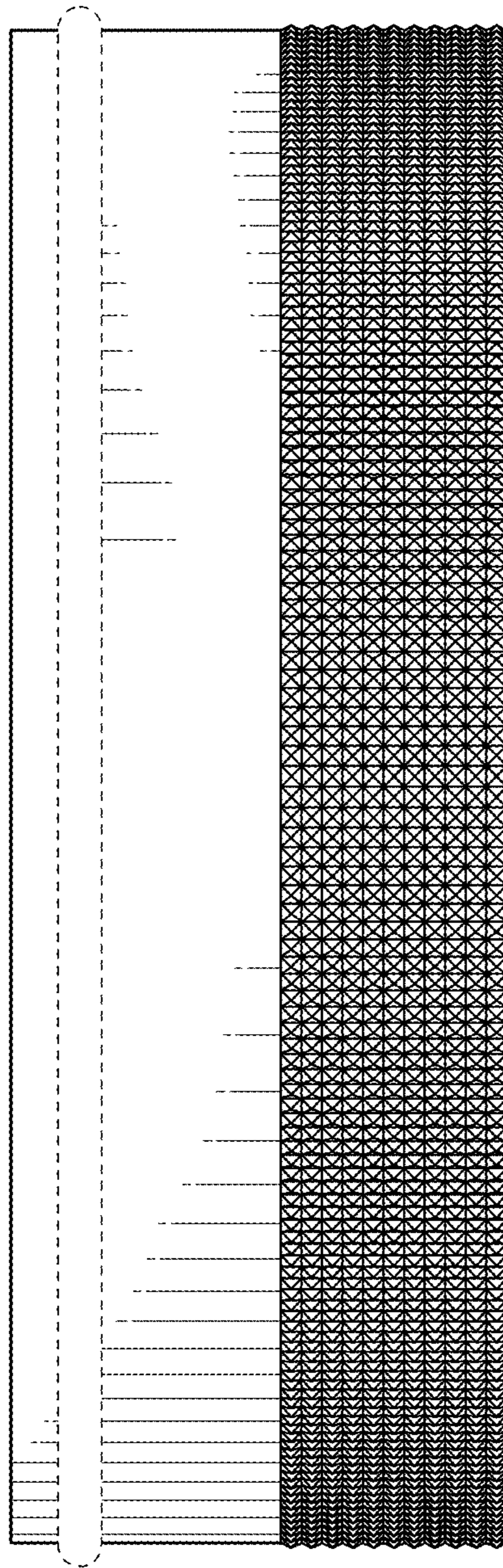


FIG. 2

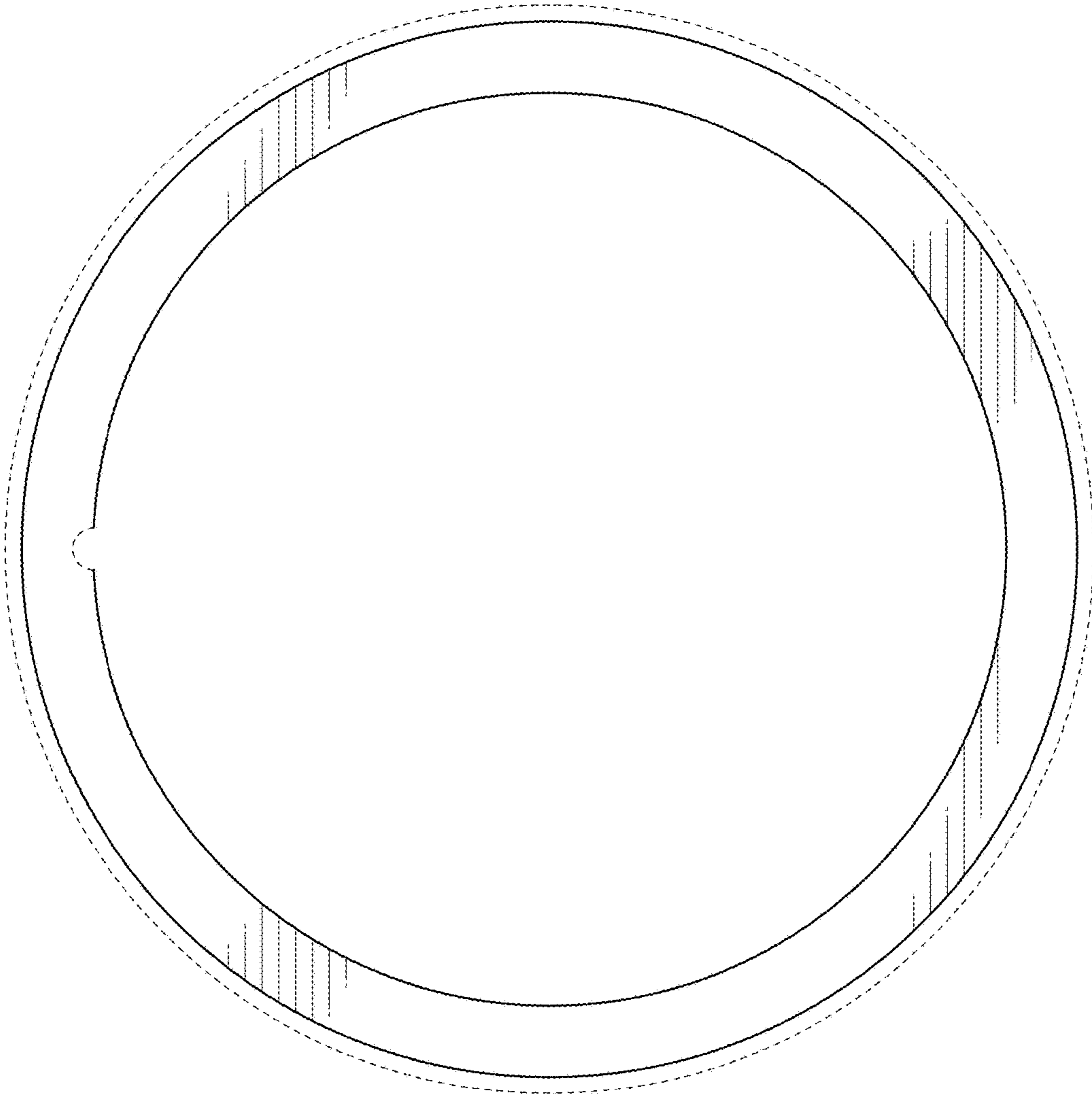


FIG. 3

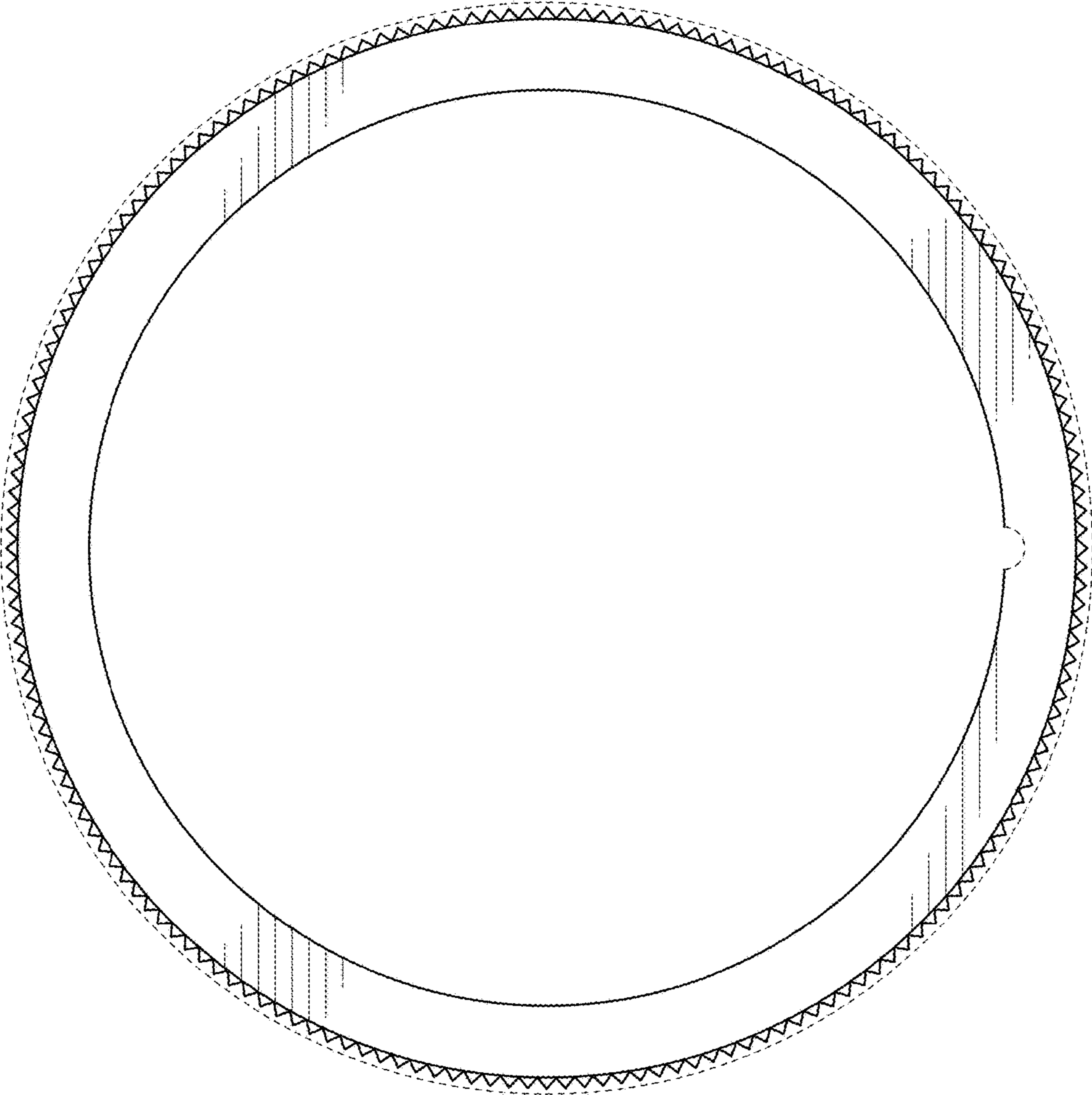


FIG. 4

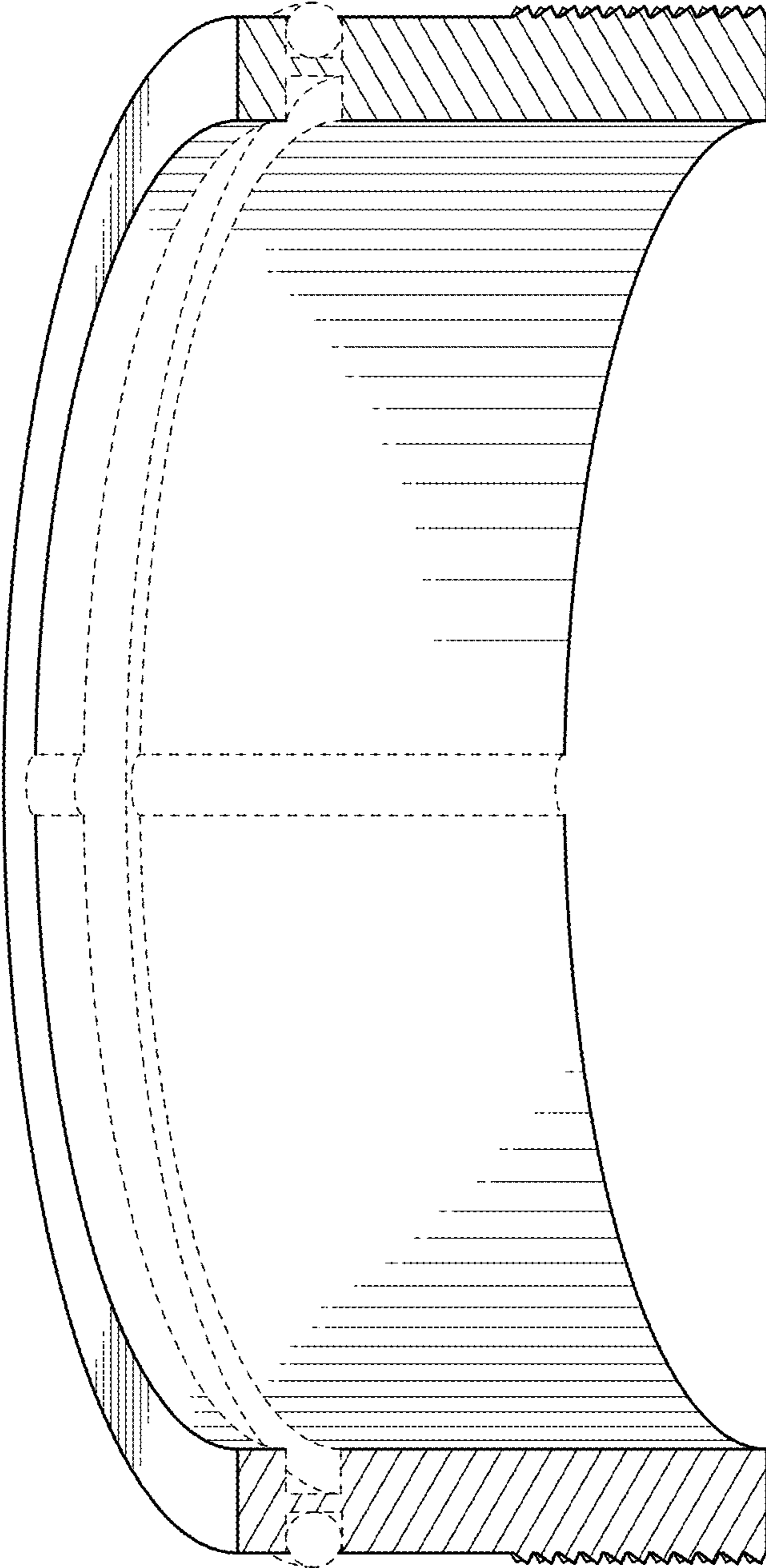


FIG. 5

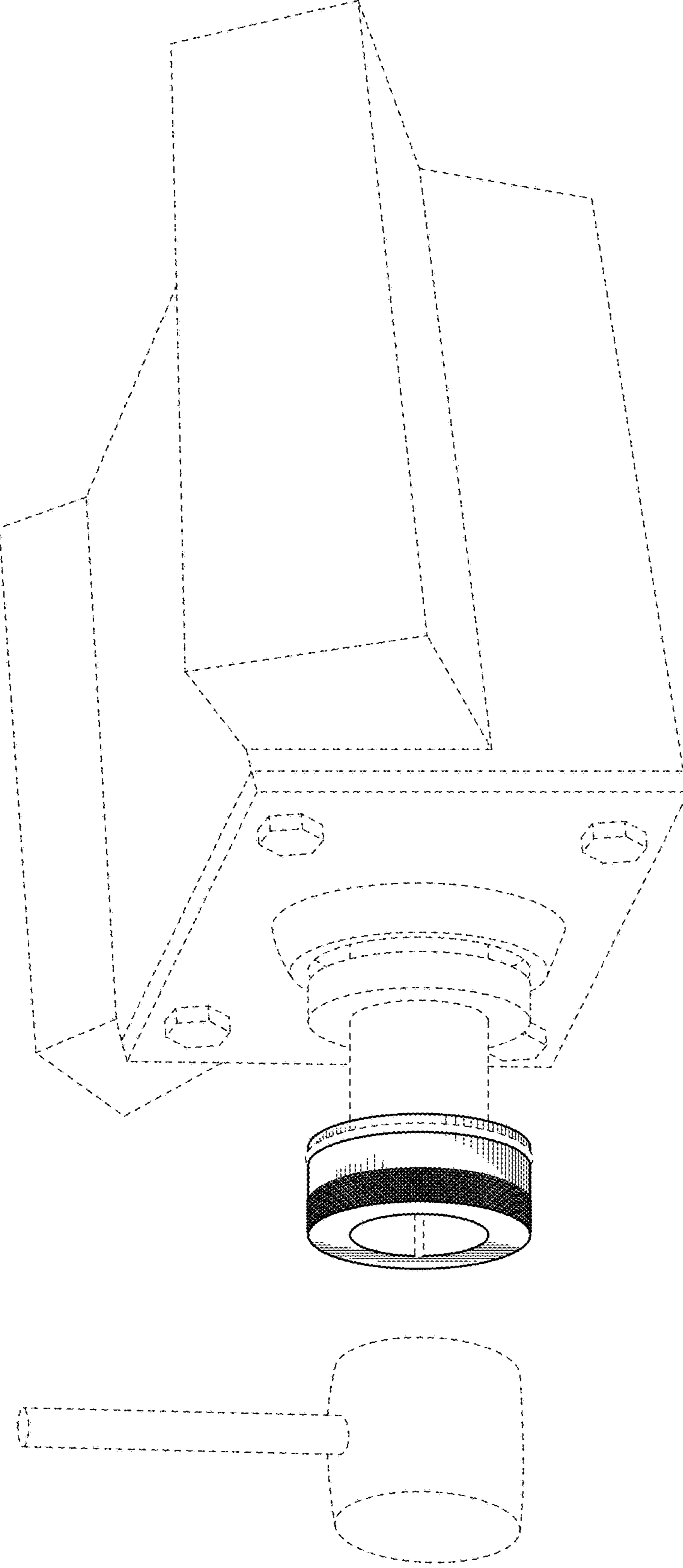


FIG. 6

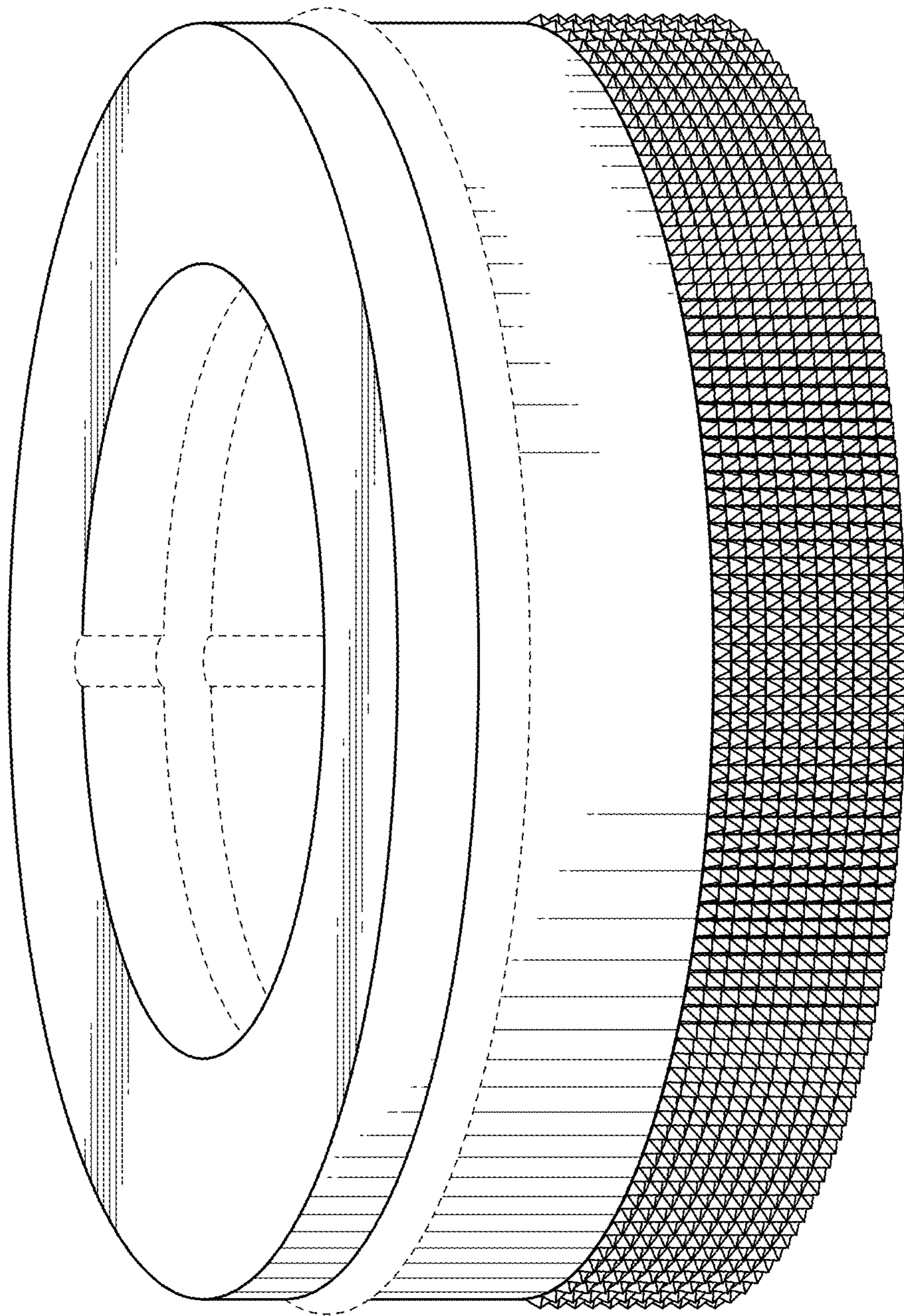


FIG. 7

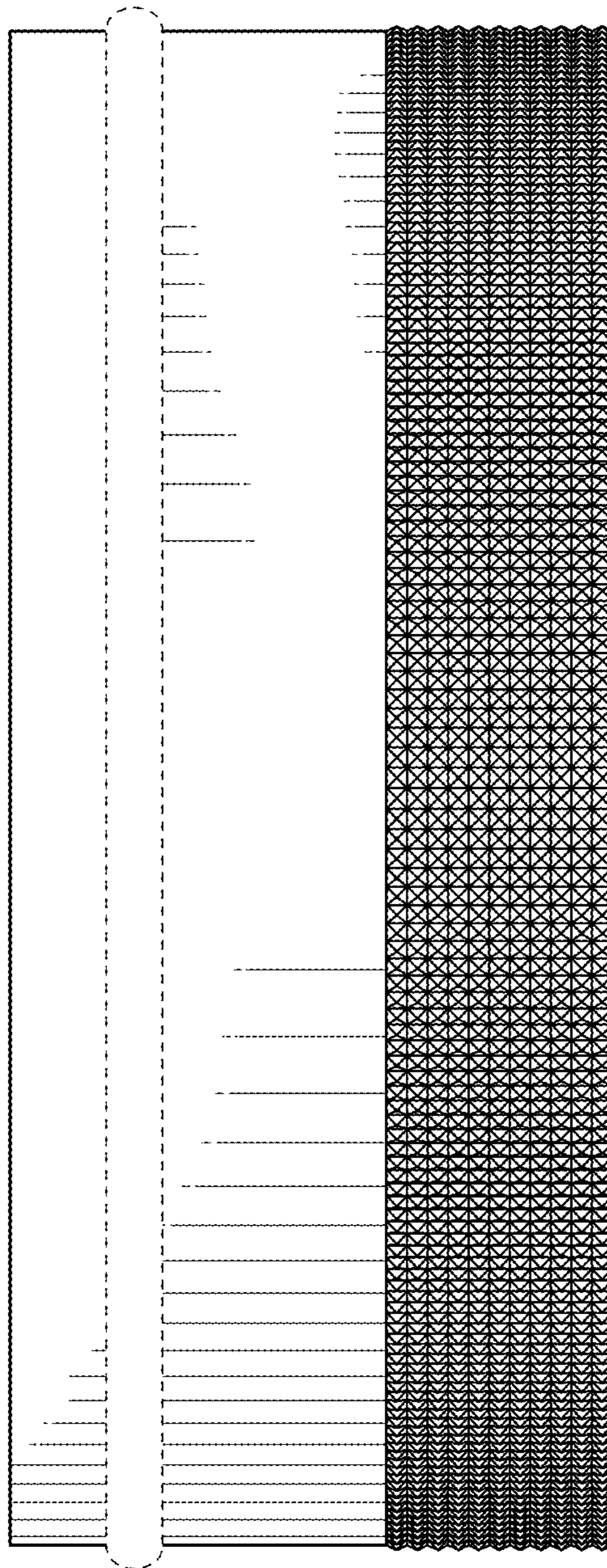


FIG. 8

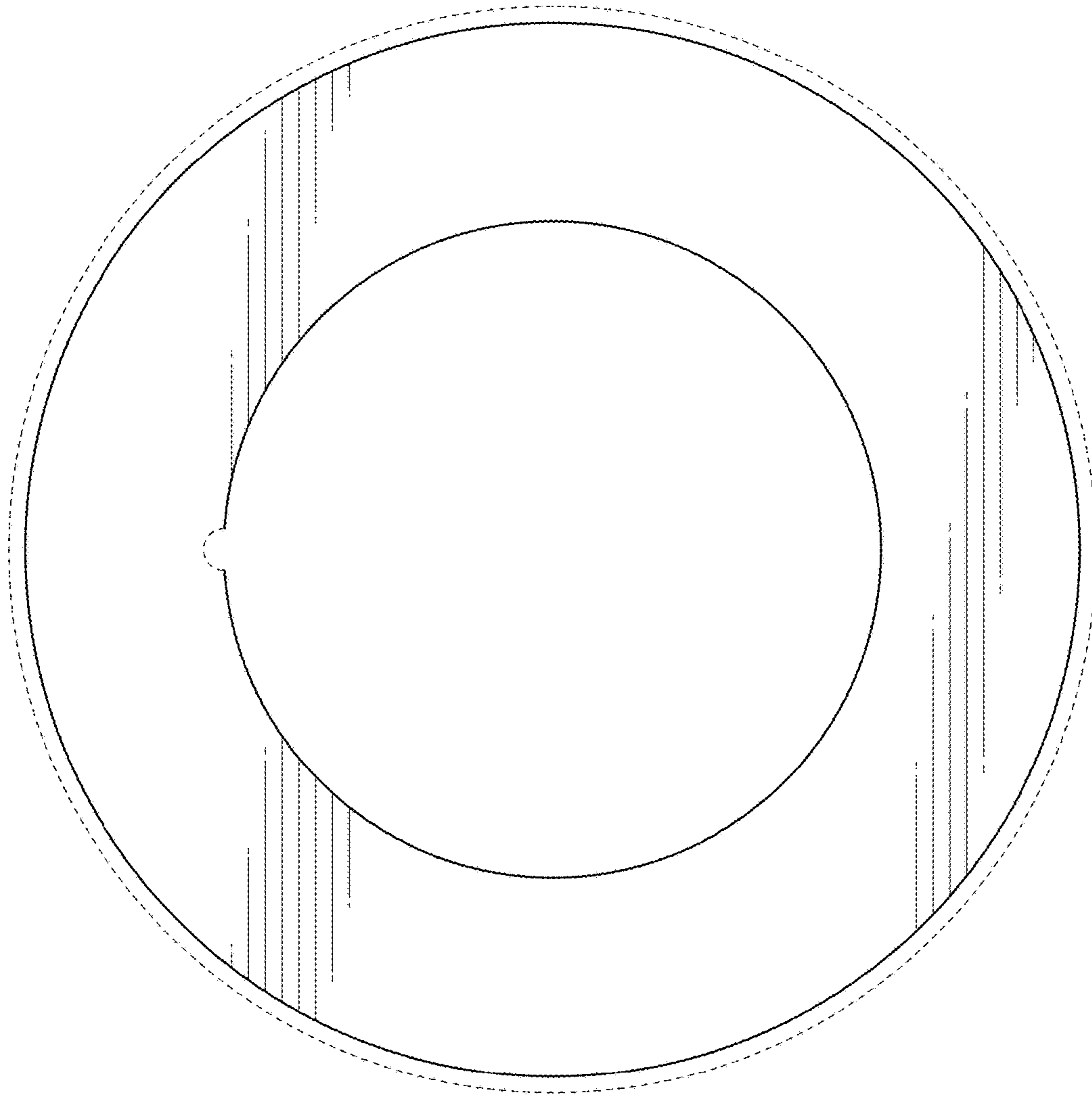


FIG. 9

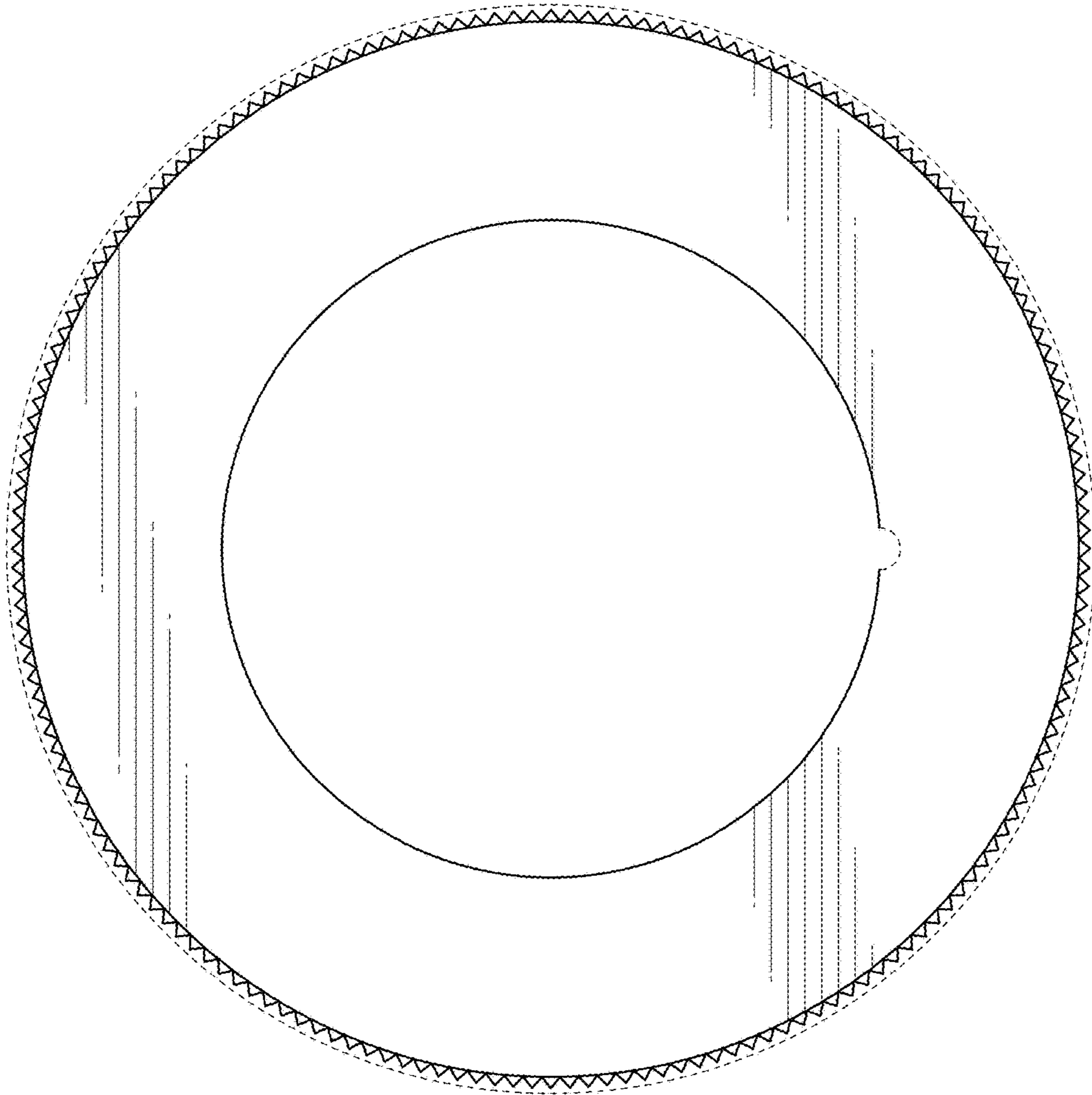


FIG. 10

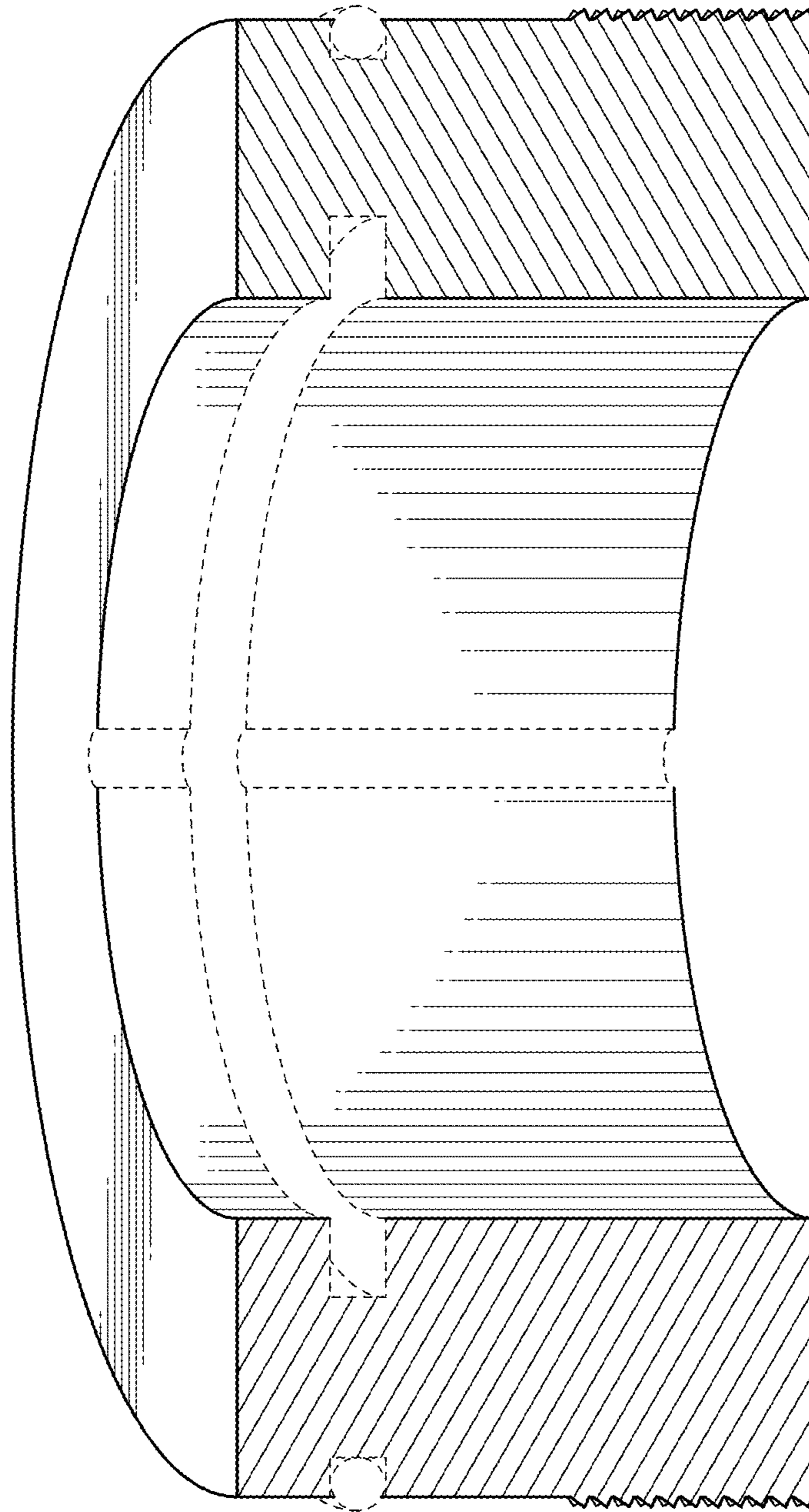


FIG. 11