



US00D864690S

(12) **United States Design Patent**
Byrum, III

(10) **Patent No.:** **US D864,690 S**

(45) **Date of Patent:** **** Oct. 29, 2019**

- (54) **ATTACHMENT FOR ROTARY TOOL**
- (71) Applicant: **Charles Curtis Byrum, III**, Mobile, AL (US)
- (72) Inventor: **Charles Curtis Byrum, III**, Mobile, AL (US)
- (**) Term: **15 Years**
- (21) Appl. No.: **29/643,135**
- (22) Filed: **Apr. 4, 2018**
- (51) **LOC (12) Cl.** **08-05**
- (52) **U.S. Cl.**
USPC **D8/70**
- (58) **Field of Classification Search**
USPC D8/61, 62, 70, 90; D15/124–126, 138, D15/139; D32/15, 19, 25
CPC B24B 23/04; B24B 9/08
See application file for complete search history.

- 8,057,281 B2 * 11/2011 Annen B24B 1/00 451/37
 - 8,758,089 B2 * 6/2014 Annen B24D 9/08 451/28
 - D803,653 S * 11/2017 Smith D8/70
- (Continued)

OTHER PUBLICATIONS

Ebay, “JR Tungsten Sharpener Attachment Kit for Grinders”, Web Page, available at <https://www.ebay.com/p/JR-Tungsten-Sharpener-Attachment-Kit-for-Grinders/21015759575?iid=122768420348> (last visited May 30, 2019).

(Continued)

Primary Examiner — Darlington Ly
(74) *Attorney, Agent, or Firm* — AdamsIP, LLC; J. Hunter Adams; Stephen Thompson

(57) **CLAIM**

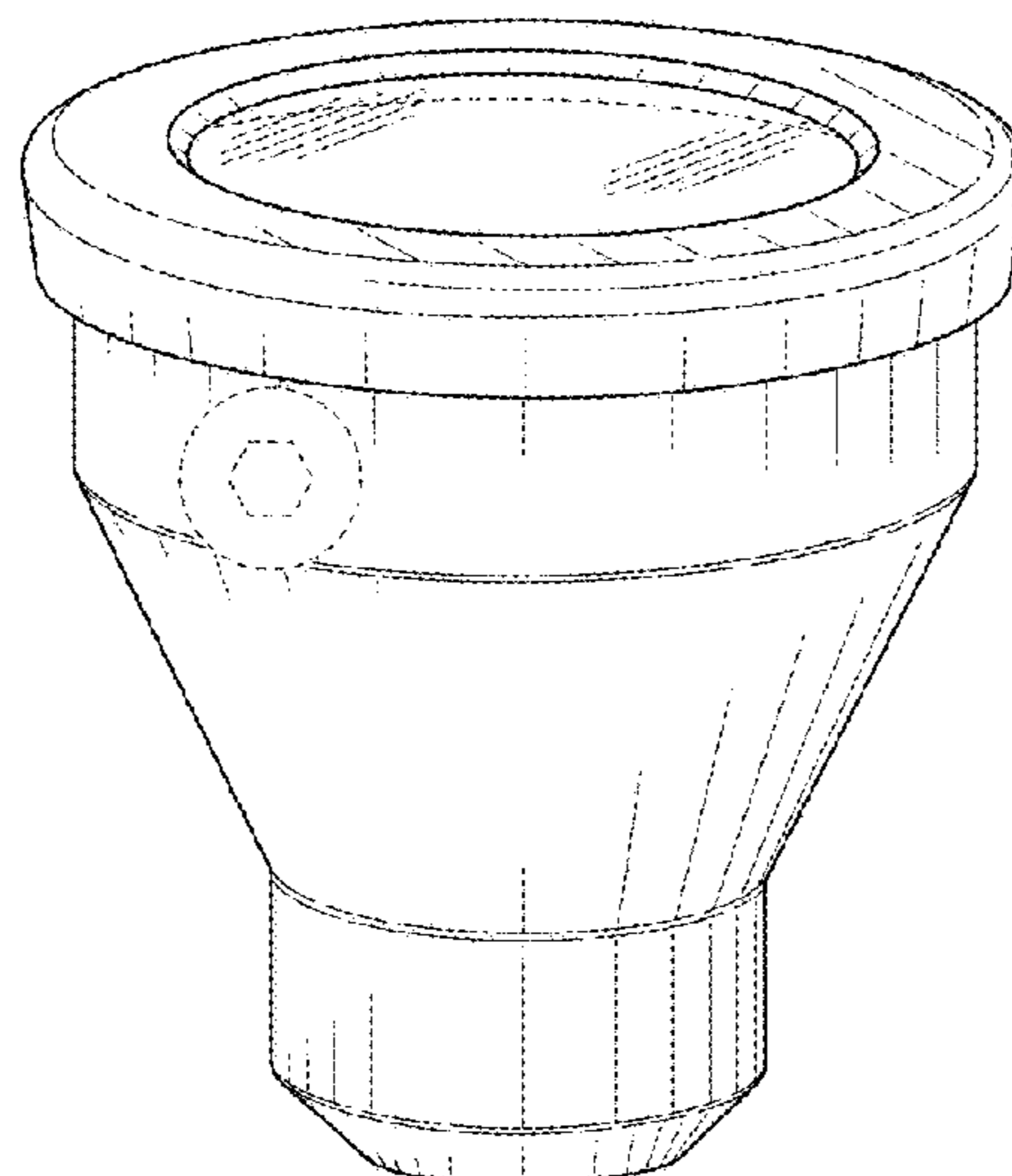
The ornamental design for an attachment for rotary tool, as shown and described.

DESCRIPTION

FIG. 1 is a front perspective view of an attachment for rotary tool showing my new design;
FIG. 2 is a front elevation view thereof;
FIG. 3 is a rear elevation view thereof;
FIG. 4 is a left side elevation view thereof;
FIG. 5 is a right side elevation view thereof;
FIG. 6 is top plan view thereof;
FIG. 7 is a bottom plan view thereof; and,
FIG. 8 is a front elevation view thereof secured to an exemplary rotary tool.
The broken line showing of the rotary tool is provided for the purposes of illustrating environmental structure. All other broken lines in the drawings illustrate portions of the attachment or article. No portions of the attachment or rotary tool that are shown in broken lines form part of the claimed design.

1 Claim, 5 Drawing Sheets

- (56) **References Cited**
U.S. PATENT DOCUMENTS
- 2,800,755 A * 7/1957 Perra B24B 3/265 451/415
- 3,742,652 A * 7/1973 Enders B24B 3/26 451/180
- 3,803,771 A * 4/1974 Bunn B24B 19/00 451/359
- 5,054,972 A * 10/1991 Cooney B23B 5/167 407/48
- 5,676,591 A * 10/1997 Huang B24B 3/265 451/349
- 6,106,372 A * 8/2000 Clark B24B 19/16 451/45
- 6,712,368 B2 * 3/2004 Bohn B25F 3/00 279/143
- D529,778 S * 10/2006 Albertson D8/70
- D580,728 S * 11/2008 Umbrell D8/70
- D581,236 S * 11/2008 Umbrell D8/70



(56)

References Cited

U.S. PATENT DOCUMENTS

D831,459 S * 10/2018 Cartwright D8/70
 2013/0059505 A1 * 3/2013 Bailey B24B 19/26
 451/59

OTHER PUBLICATIONS

Amazon, “Tungsten Electrode Sharpener Attachment Kit”, Web Page, available at [https://www.amazon.ca/Tungsten -Electrode-Sharpener-Attachment-Kit/dp/B01N5452M8](https://www.amazon.ca/Tungsten-Electrode-Sharpener-Attachment-Kit/dp/B01N5452M8) (last visited May 30, 2019).

arc-zone.com, “Cordless Sharpie DX™ Tungsten Grinder Adjustable 15°-45°”, Web Page, available at https://www.arc-zone.com/cordless-sharpie-grinder-a-ptgk-dxcl?gclid=EAIaIQobChM18Jn1_vLD4gIVmLfACh0MKQv0EAQYByABEgItQvD_BwE (last visited May 30, 2019).

arc-zone.com, “Sharpie SD™ Tungsten Grinder 20° Grind Angle Corded”, Web Page, available at https://www.arc-zone.com/sharpie-grinder-a-ptgk-sd?gclid=EAIaIQobChMI8Jn1_vLD4gIVmLfACh0MKQv0EAQYDSABEgIKt_D_BwE (last visited May 30, 2019).

USA Weld, “Adjustable Tungsten Grinder”, Web Page, available at <https://www.usaweld.com/Adjustable-Tungsten-Grinder-p/ts-adj.htm> (last visited May 30, 2019).

Amazon, “tungsten electrode grinder/sharpener—Tungsten Cup attachment—Tig welding”, Web Page, available at https://us.amazon.com/tungsten-electrode-grinder-sharpener-attachment/dp/B07DHR13JG?_encoding=UTF8&psc=1 (last visited May 30, 2019).

Thingiverse, “Tig Electrode Grinding Attachment”, Web Page, available at <https://www.thingiverse.com/thing:18347> (last visited May 30, 2019).

Ebay, “Tig Welder Tungsten Electrode Sharpener Grinder Tool W/ 5 Diamond Wheels”, Web Page, available at [https://www.ebay.com/itm/TIG-Welder-Tungsten-Electrode-Sharpener-Grinder-Tool-W-5-Diamond-Wheels/223533420990?hash=](https://www.ebay.com/itm/TIG-Welder-Tungsten-Electrode-Sharpener-Grinder-Tool-W-5-Diamond-Wheels/223533420990?hash=item340ba151be:g:HNkAAOSwiYBc71tU)

[item340ba151be:g:HNkAAOSwiYBc71tU](https://www.ebay.com/itm/TIG-Welder-Tungsten-Electrode-Sharpener-Grinder-Tool-W-5-Diamond-Wheels/223533420990?hash=item340ba151be:g:HNkAAOSwiYBc71tU) (last visited May 30, 2019).
 Welding Design & Fabrication, Thread: Dremel Tungsten Attachment, Web Page, available at <https://weldingweb.com/showthread.php?85771-Dremel-Tungsten-Attachment> (last visited May 30, 2019).

Eastwood, “Eastwood Tungsten Grinder”, Web Page, available at <https://www.eastwood.com/eastwood-tungsten-grinder-57555.html> (last visited May 30, 2019).

amazon.com, “Tungsten Electrode Sharpener/Grinder Attachment Tig Welding”, Web Page, available at <https://www.amazon.com/Tungsten-Electrode-Sharpener-Grinder-Attachment/dp/B07K39R37T> (last visited May 30, 2019).

* cited by examiner

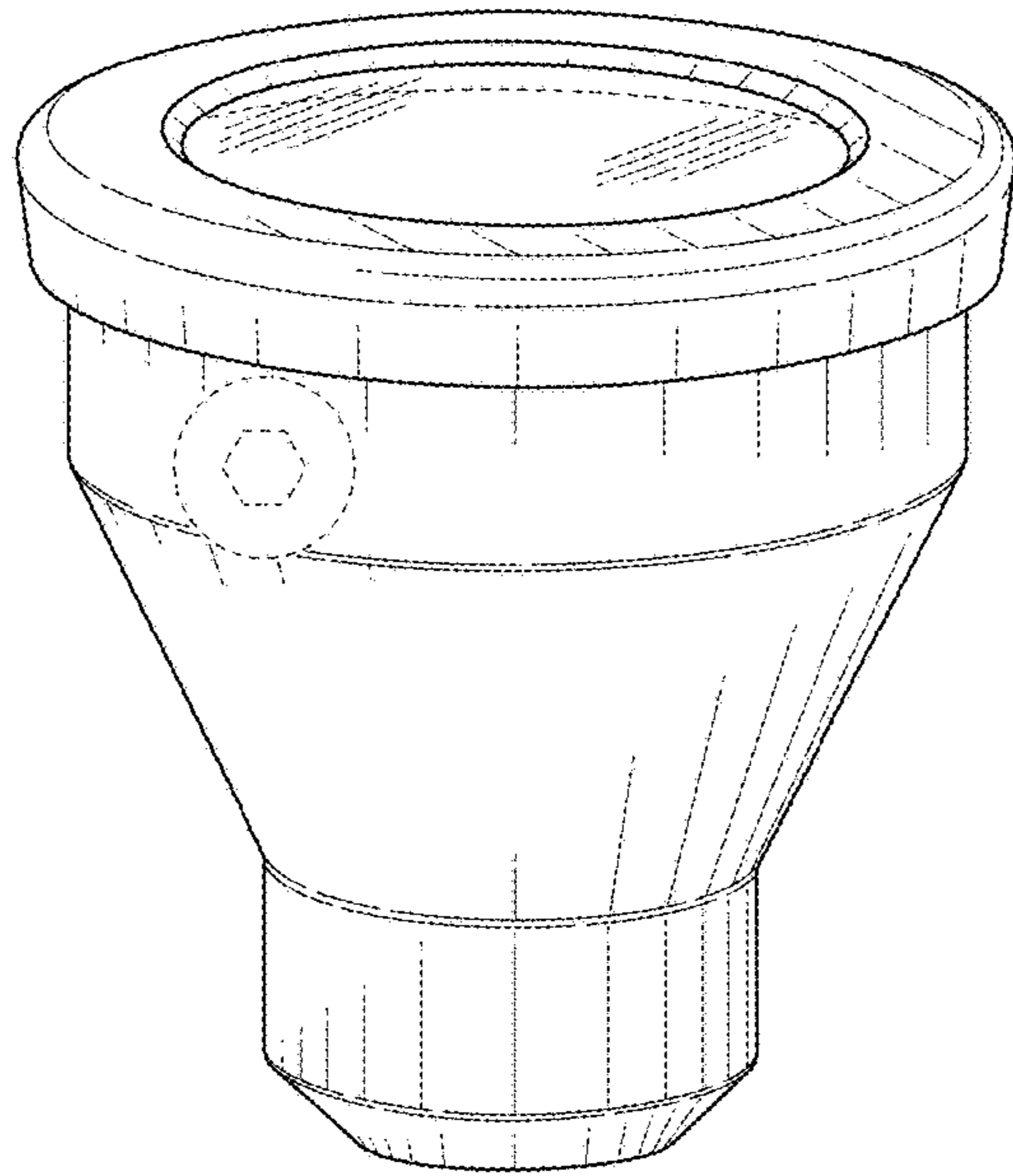


FIG. 1

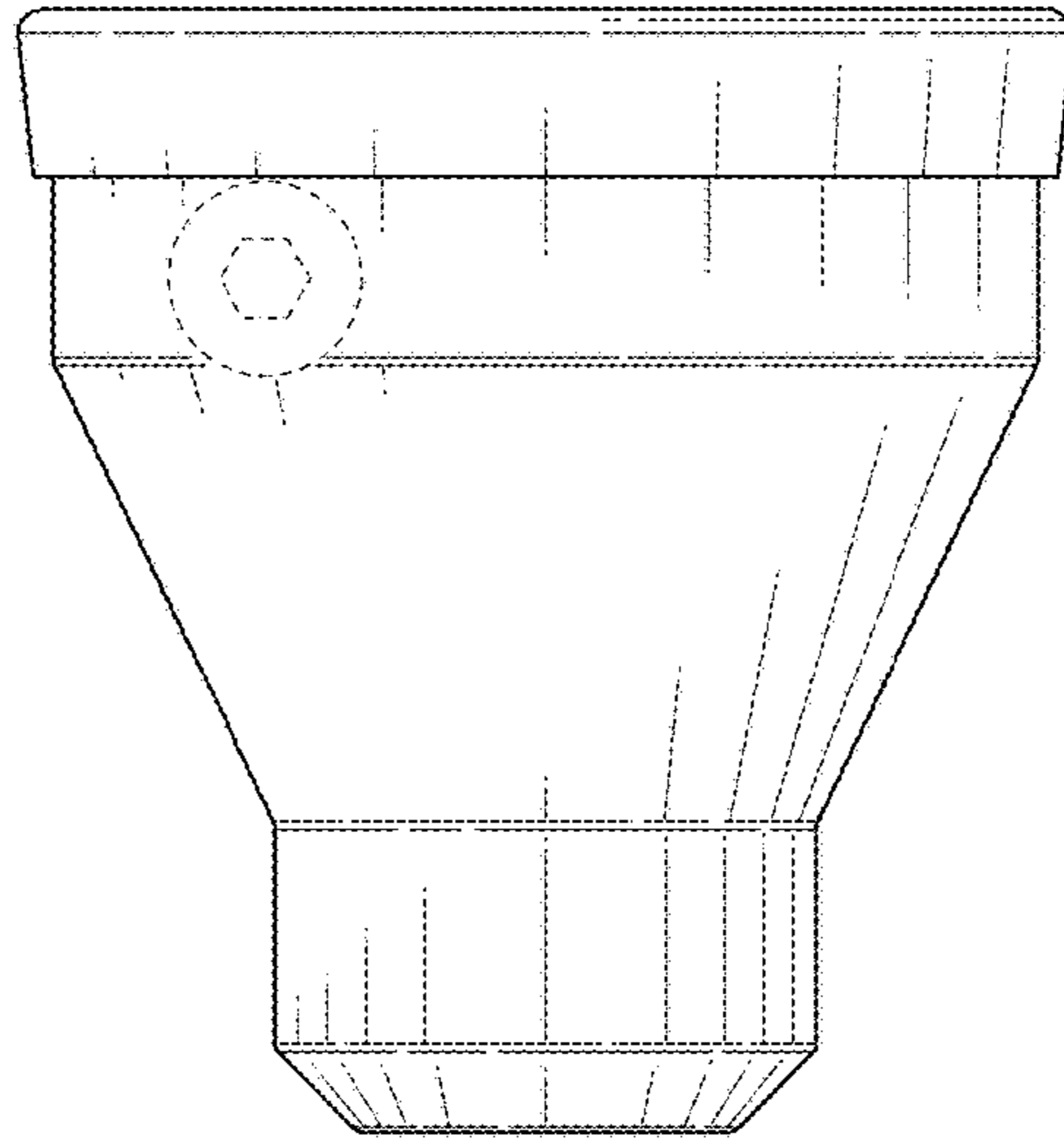


FIG. 2

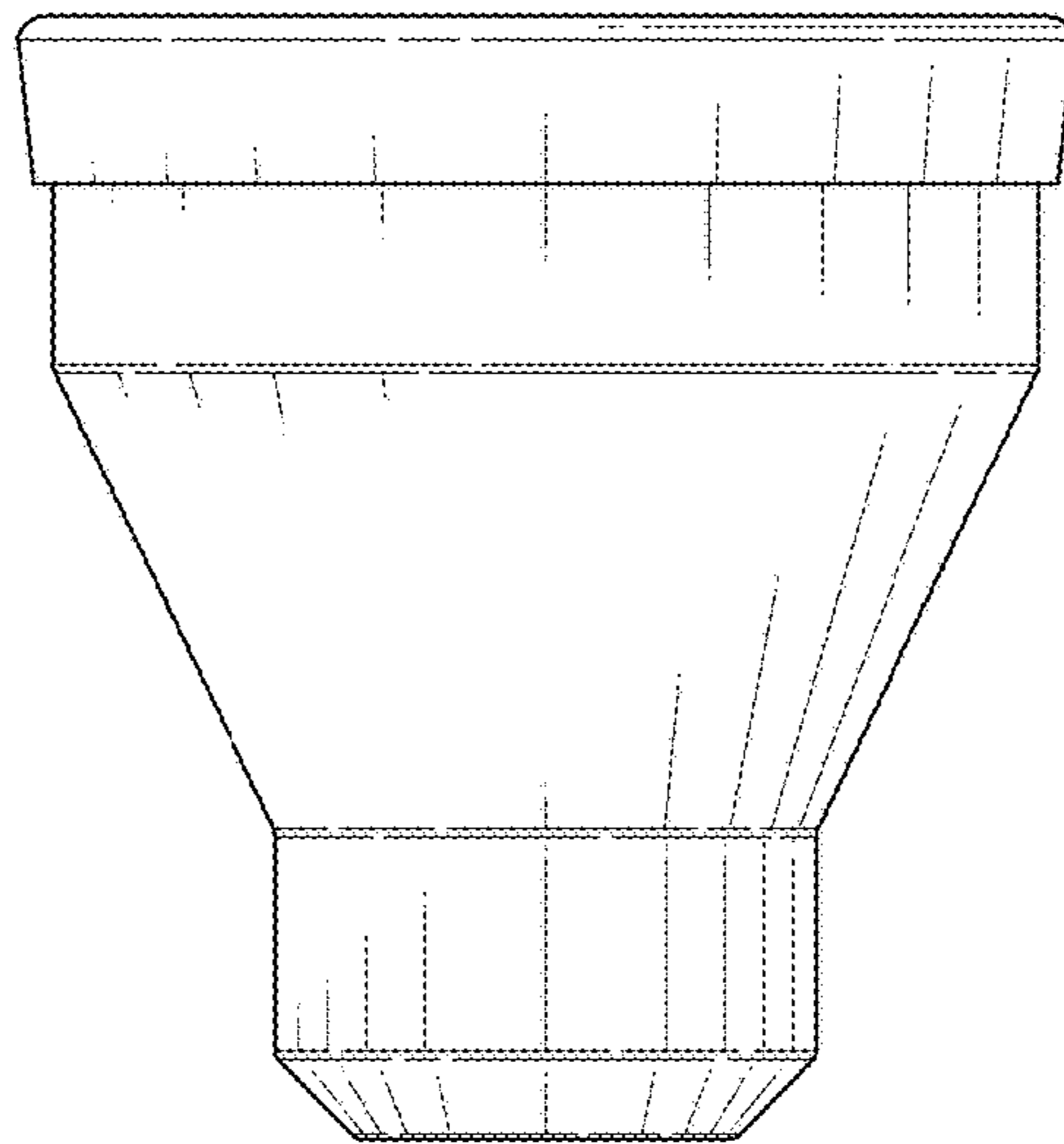


FIG. 3

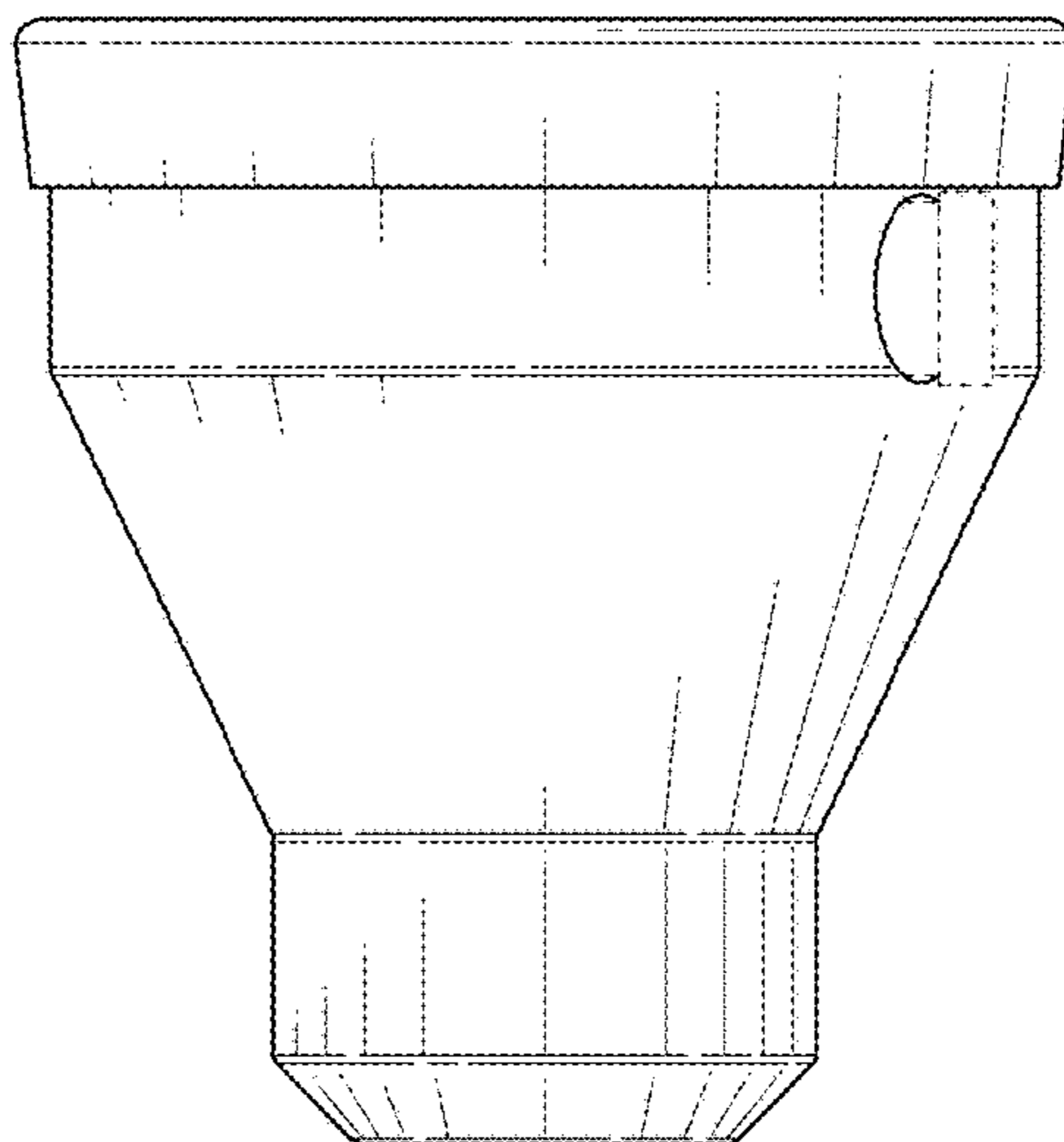


FIG. 4

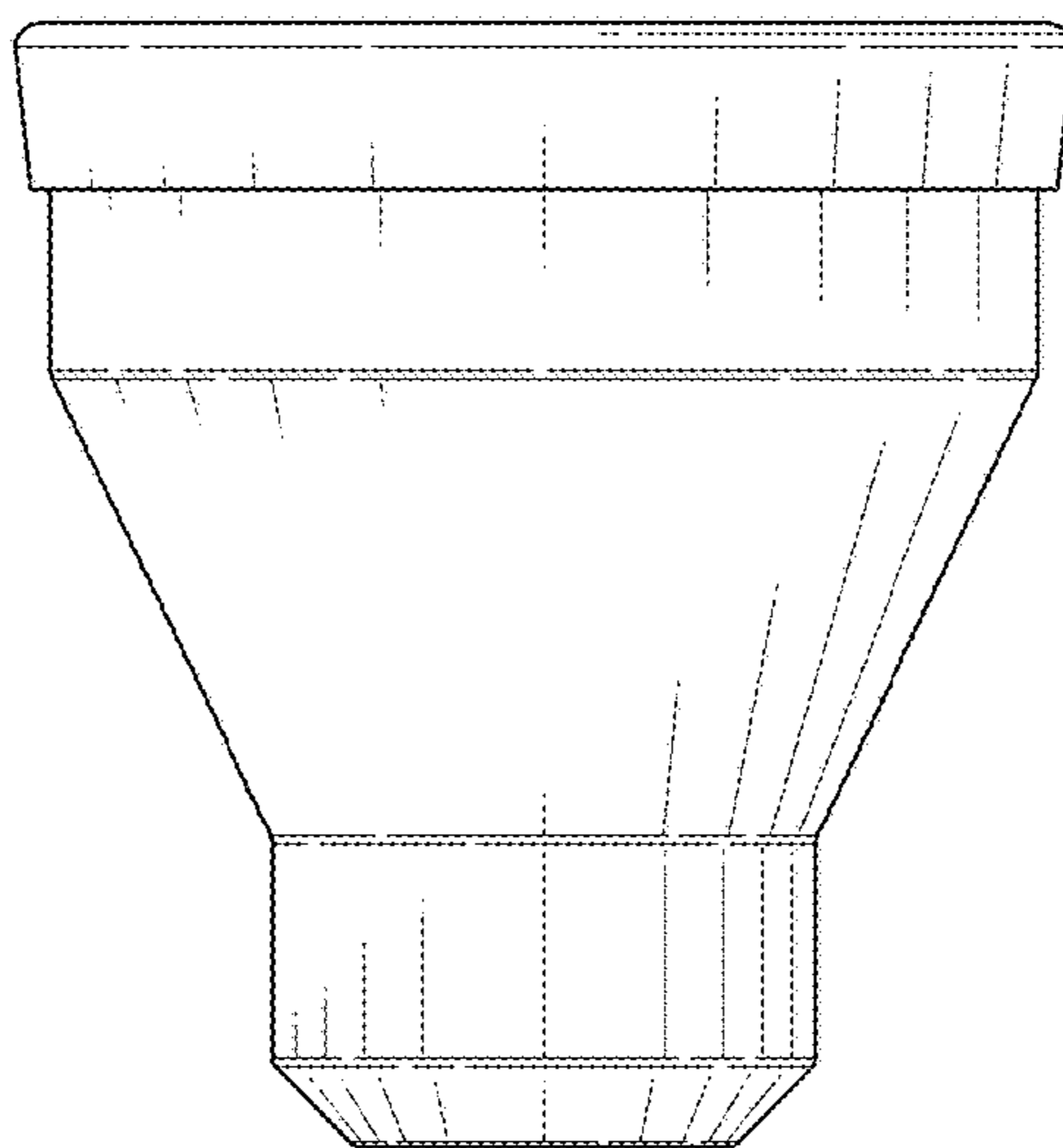


FIG. 5

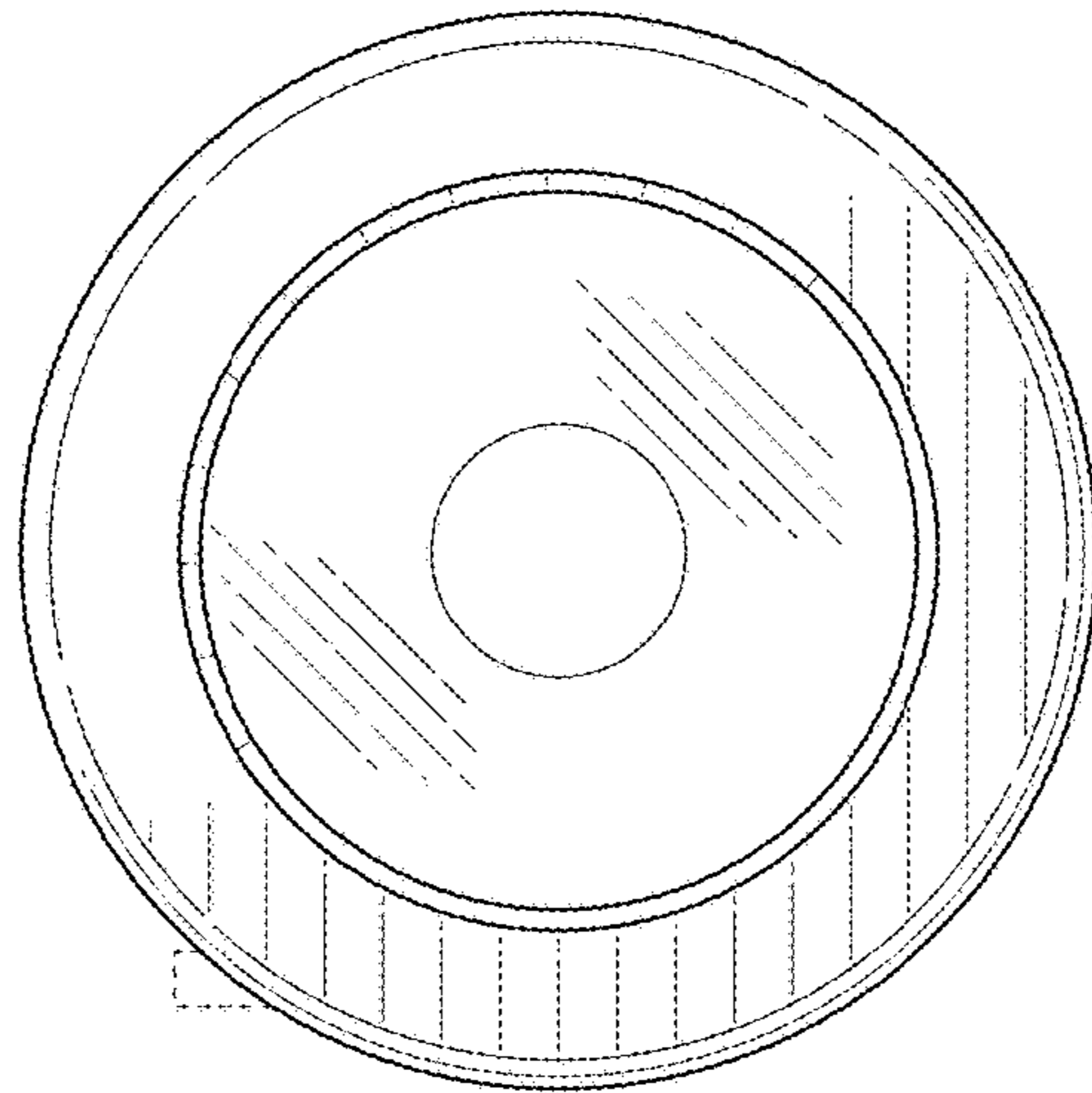


FIG. 6

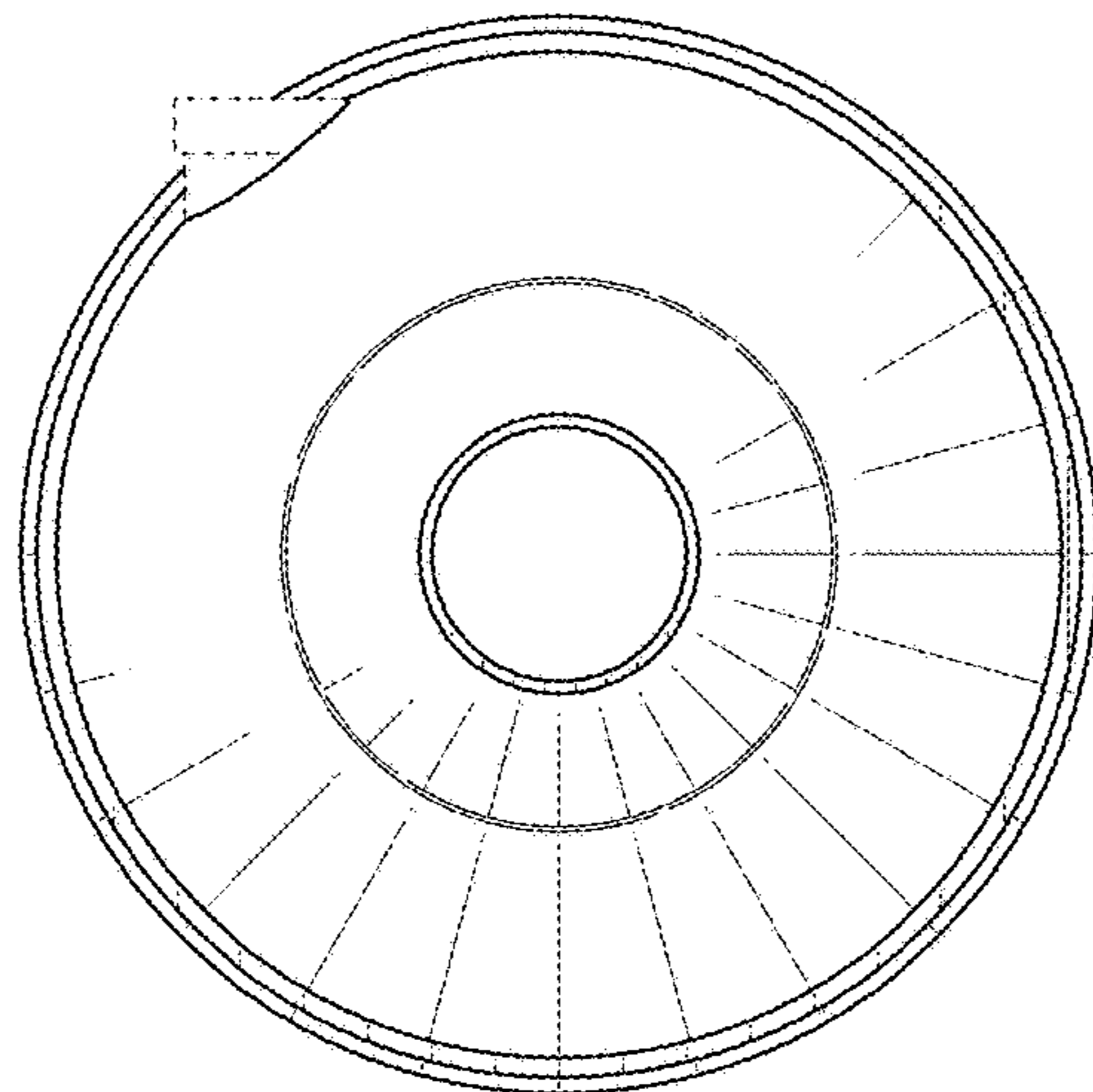


FIG. 7

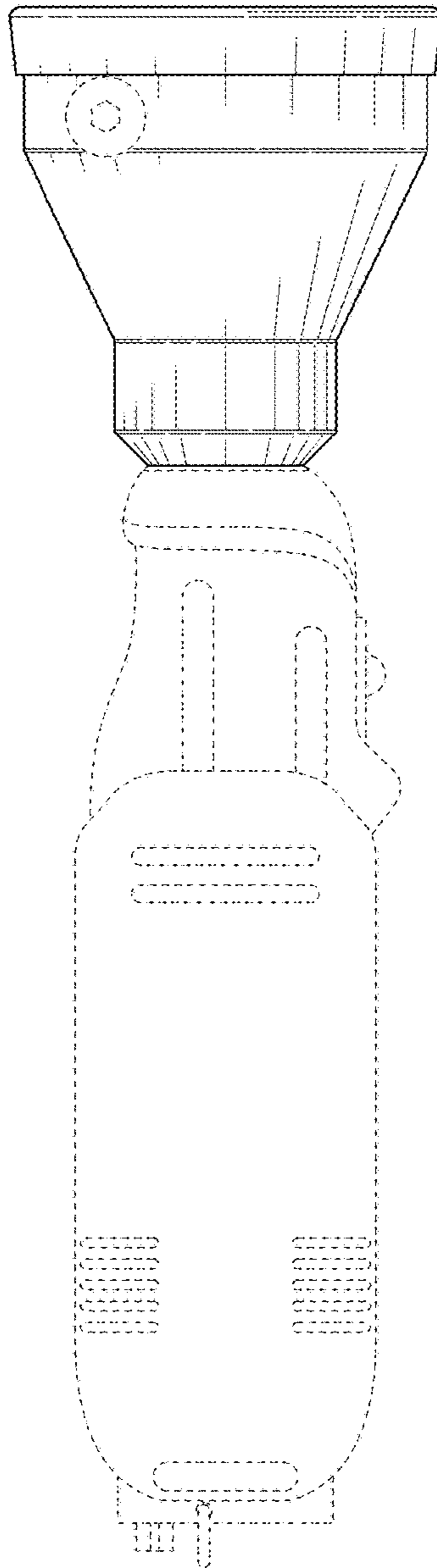


FIG. 8