

US00D864689S

(12) **United States Design Patent**
Du

(10) **Patent No.:** **US D864,689 S**
(45) **Date of Patent:** **** Oct. 29, 2019**

(54) **TACKLIFE SAW**

(71) Applicant: **Shenzhen Aukeyhi Technology co., Ltd.**, Shenzhen (CN)

(72) Inventor: **Lixing Du**, Shenzhen (CN)

(73) Assignee: **Shenzhen Aukeyhi Technology co., Ltd.**, Shenzhen (CN)

(**) Term: **15 Years**

(21) Appl. No.: **29/666,548**

(22) Filed: **Oct. 15, 2018**

(51) **LOC (12) Cl.** **08-03**

(52) **U.S. Cl.**
USPC **D8/66**

(58) **Field of Classification Search**
USPC D8/69, 68, 67, 66, 64, 61, 70; 83/698.41, 83/747, 166.3, 374, 373, 375, 376, 391, 83/377, 390, 388, 389; 125/13.01; 144/218
CPC B27B 9/00; B27B 9/02; B27B 5/02; B27B 5/18; B27B 33/08; B28D 1/04; B28D 1/045; B28D 45/00
See application file for complete search history.

(56) **References Cited**

U.S. PATENT DOCUMENTS

D504,297 S * 4/2005 Tillman D8/66
D567,612 S * 4/2008 Wright D8/66

D642,886 S * 8/2011 Sciamma D8/66
D654,340 S * 2/2012 Kawase D8/66
D703,508 S * 4/2014 Kawase D8/66
D713,702 S * 9/2014 Perez D8/66
D754,509 S * 4/2016 Lee D8/66
D813,633 S * 3/2018 Waldron D8/66
D814,899 S * 4/2018 Suzuki D8/66
D818,332 S * 5/2018 Waldron D8/66
D820,655 S * 6/2018 Waldron D8/66
D829,523 S * 10/2018 Kosugi D8/66
2001/0003983 A1 * 6/2001 Iida B23D 45/16
125/13.01

* cited by examiner

Primary Examiner — Austin Murphy

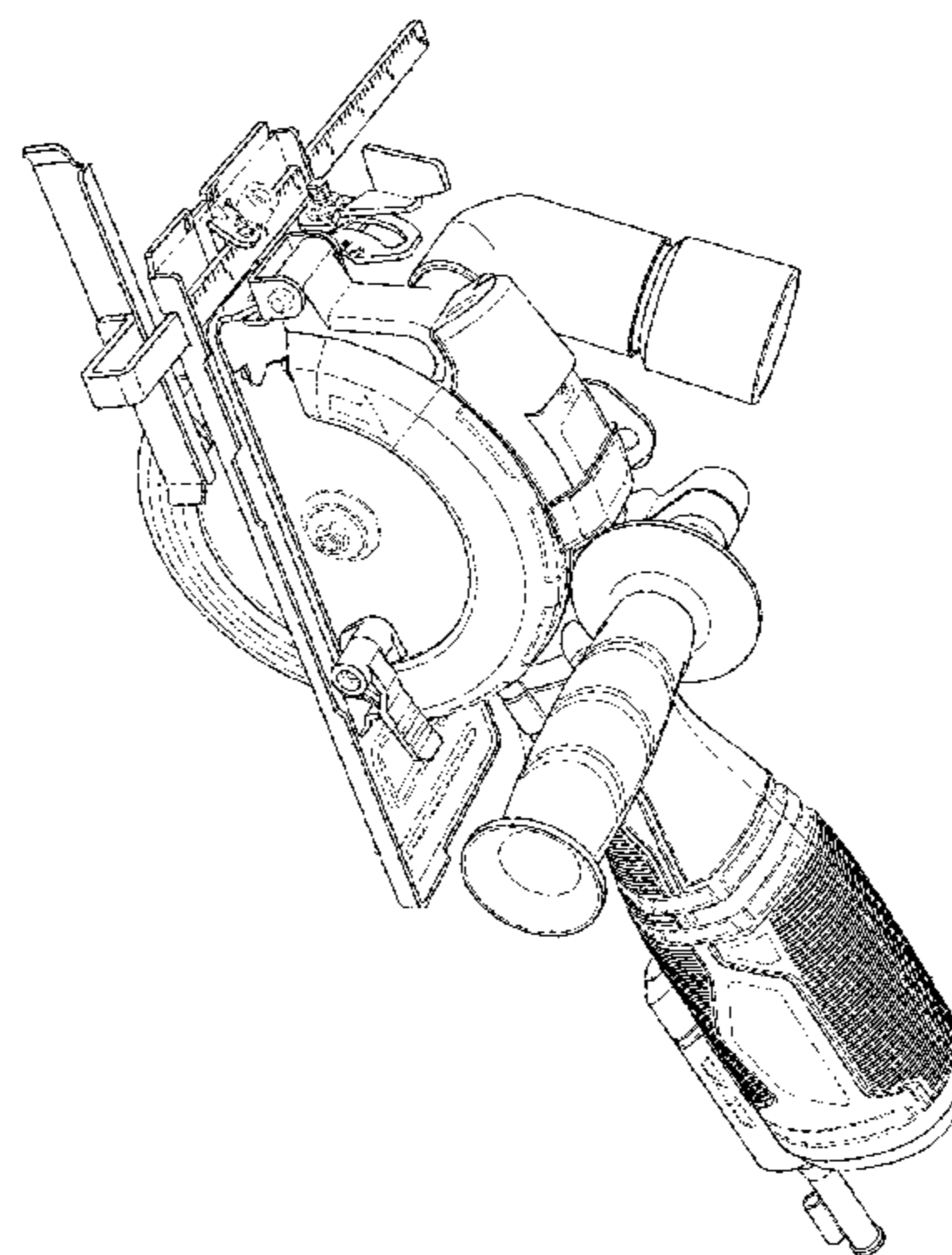
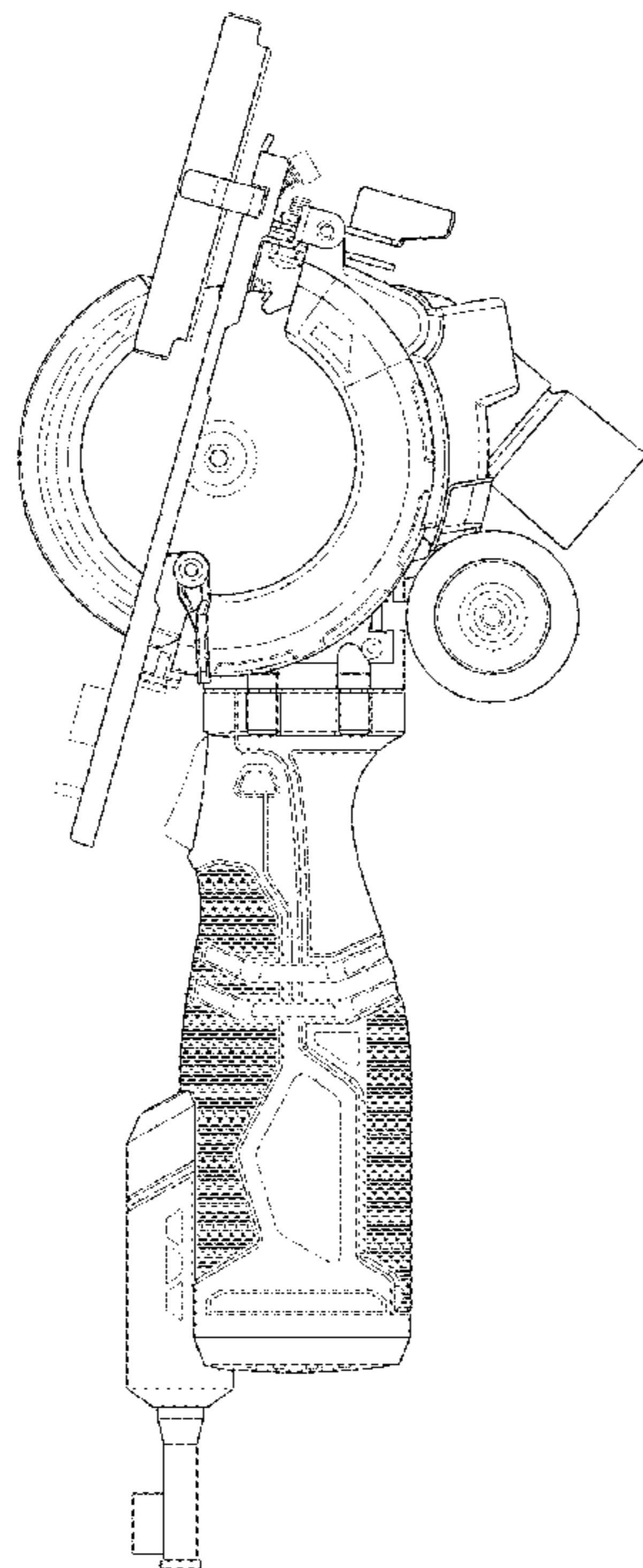
(57) **CLAIM**

The ornamental design for a tacklife saw, as shown and described.

DESCRIPTION

FIG. 1 is a front elevation view of a tacklife saw;
FIG. 2 is a rear elevation view thereof;
FIG. 3 is a left side elevation view thereof;
FIG. 4 is a right side elevation view thereof;
FIG. 5 is a top plan the view thereof;
FIG. 6 is a bottom plan the view thereof; and,
FIG. 7 is a front, right side perspective view thereof.

1 Claim, 7 Drawing Sheets



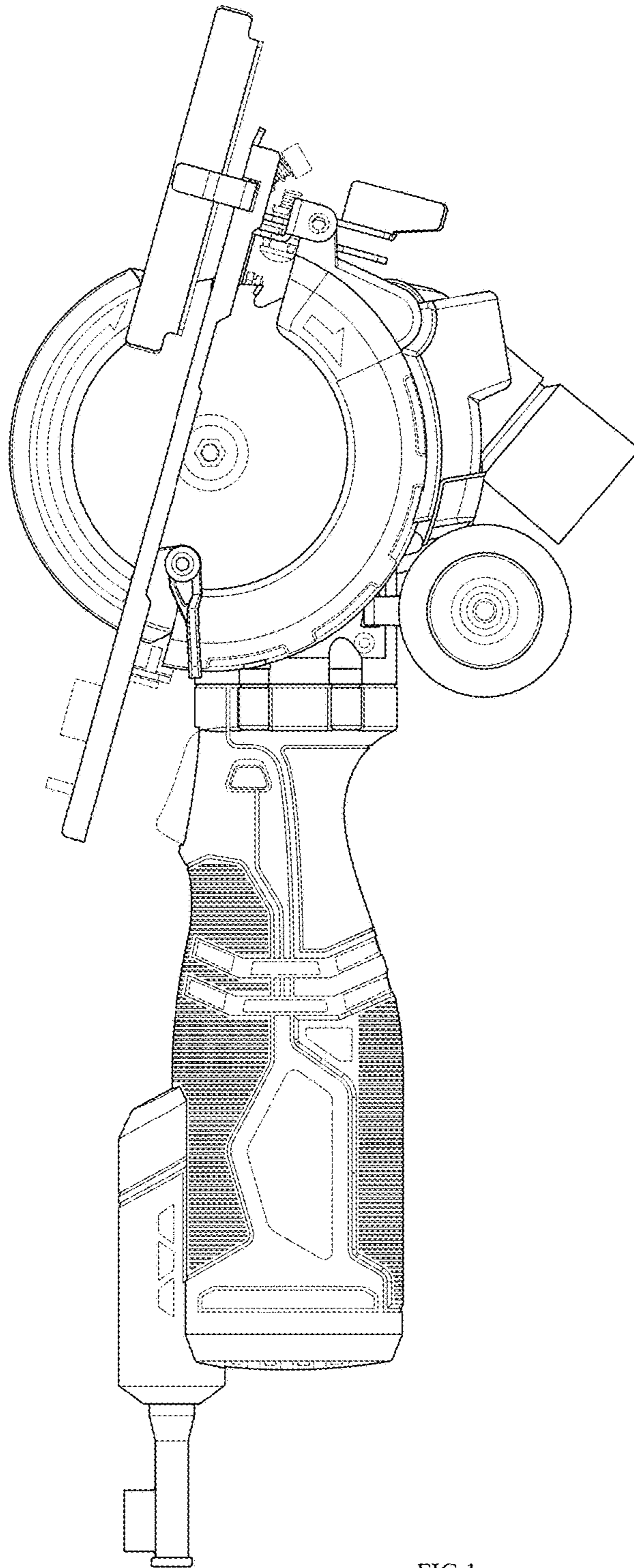


FIG.1

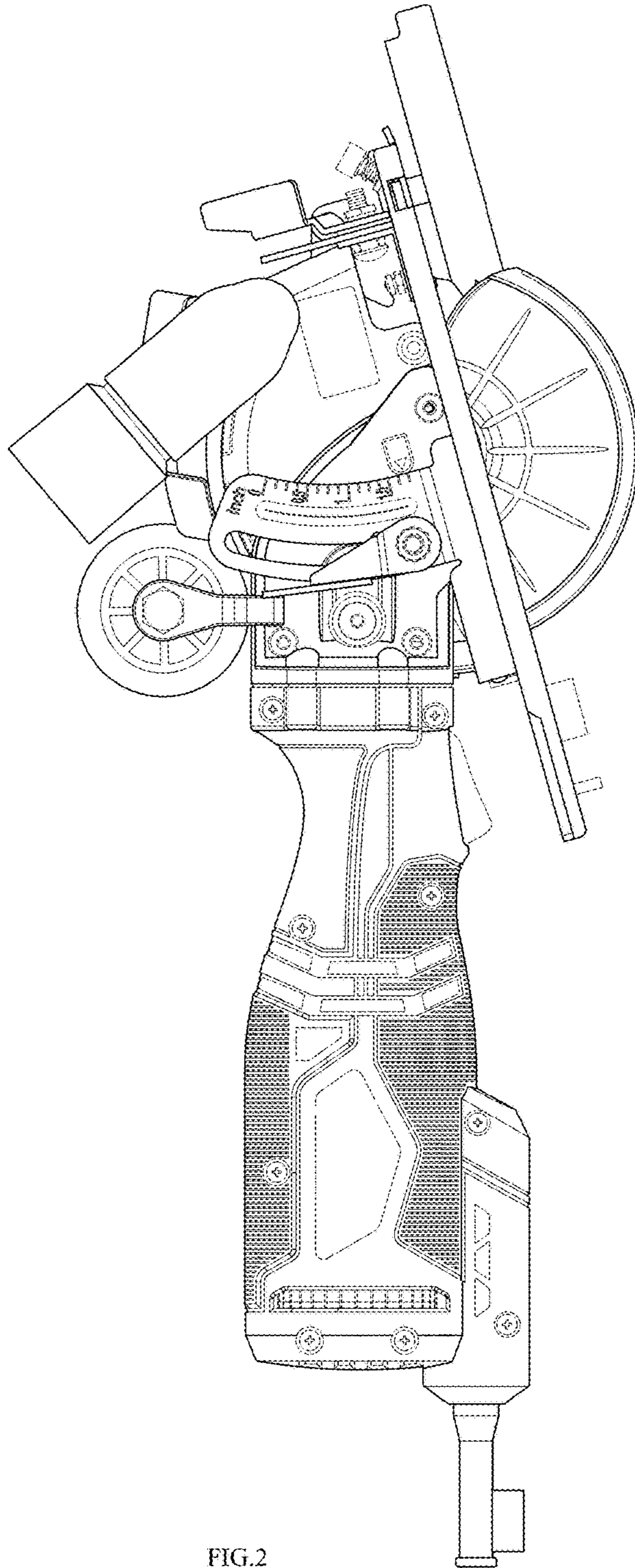


FIG. 2

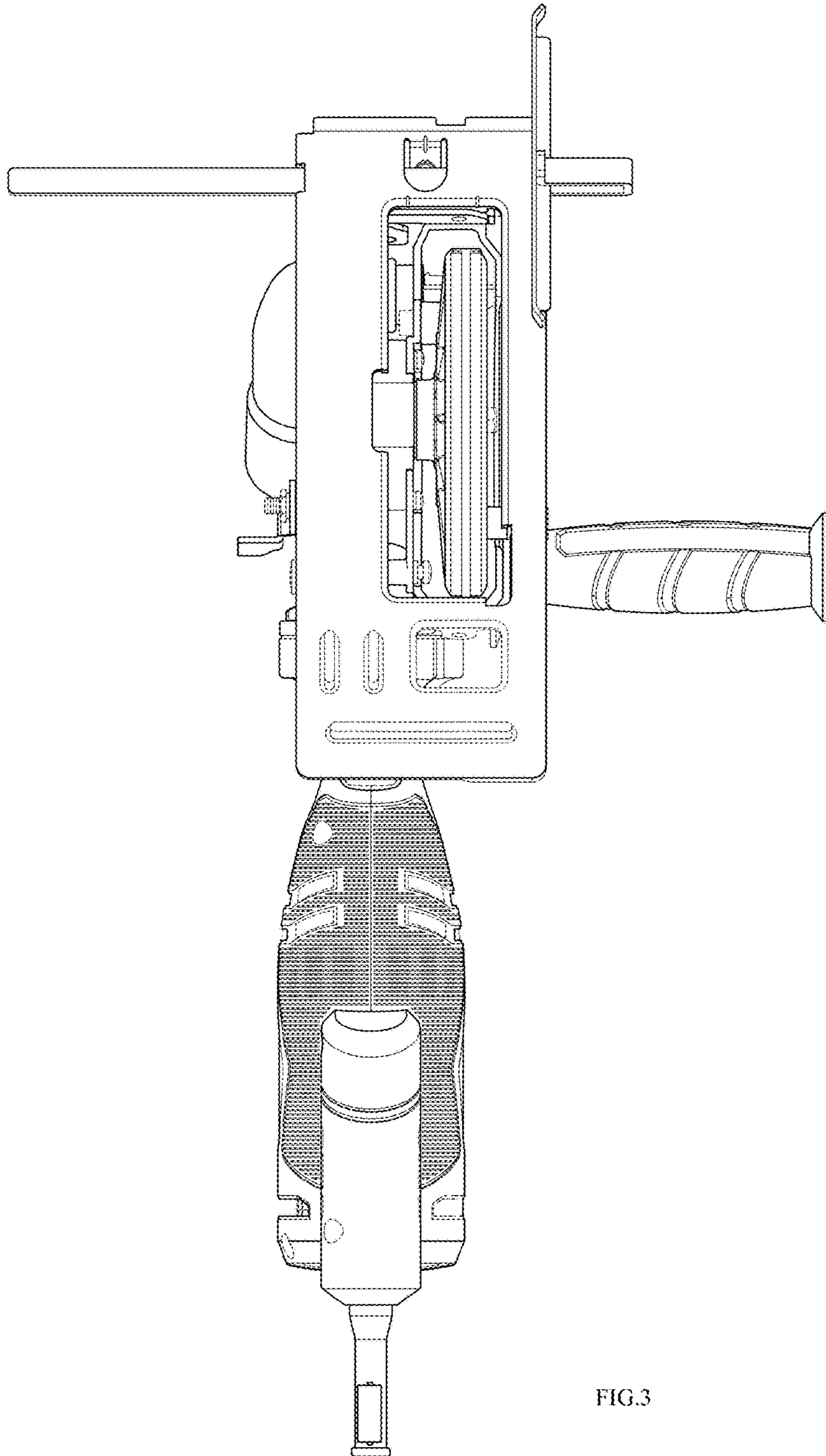


FIG.3

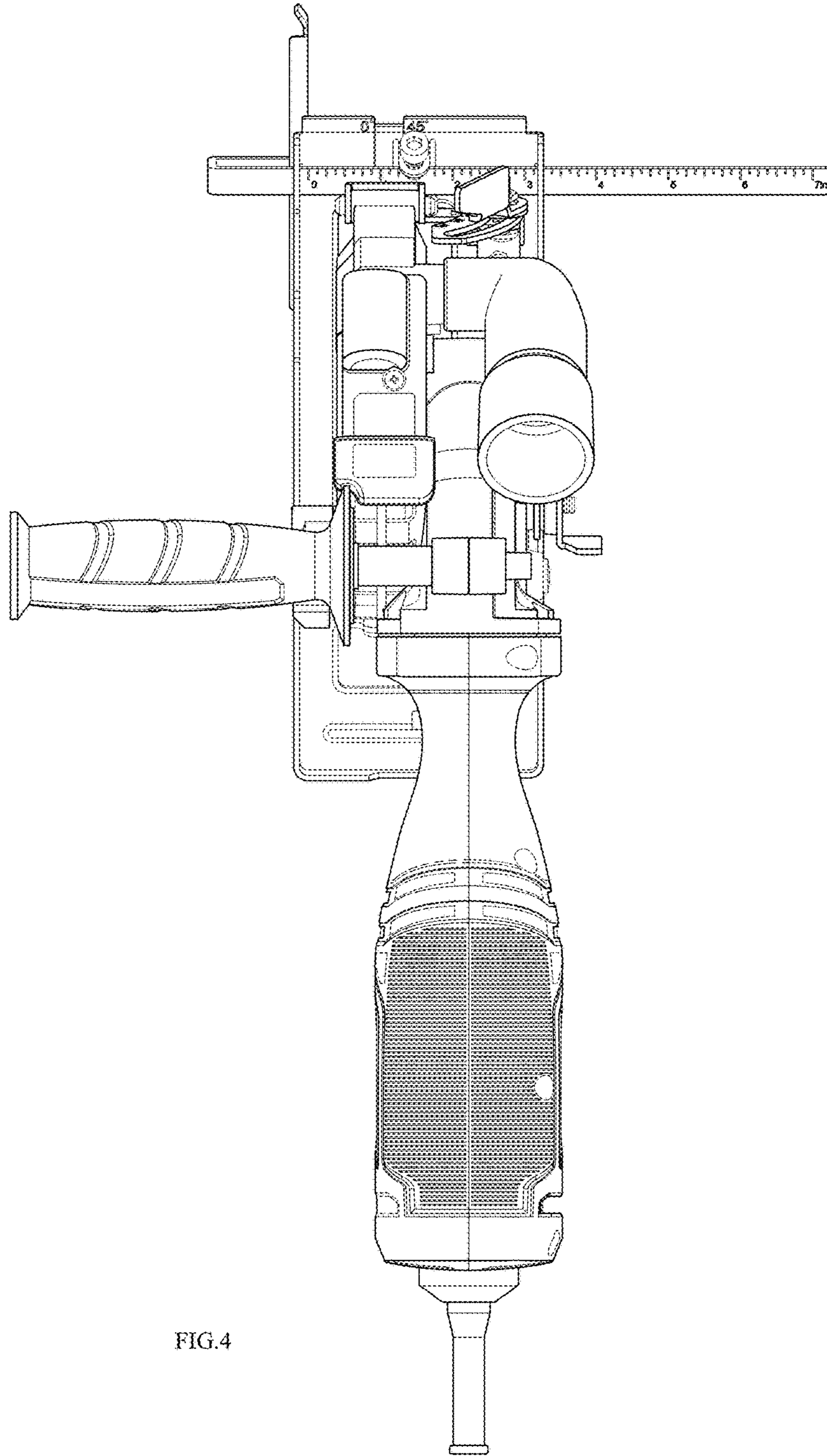


FIG. 4

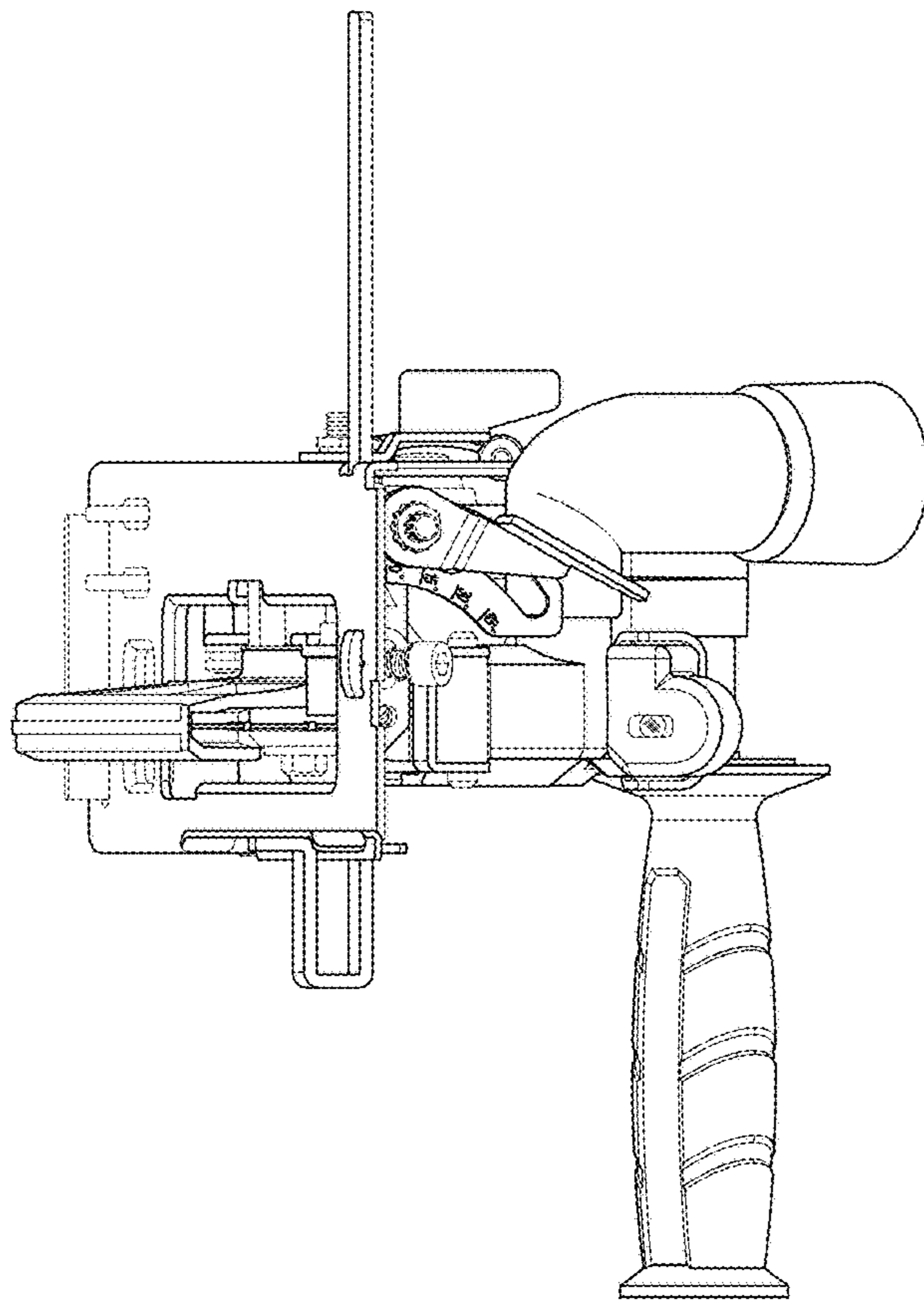


FIG.5

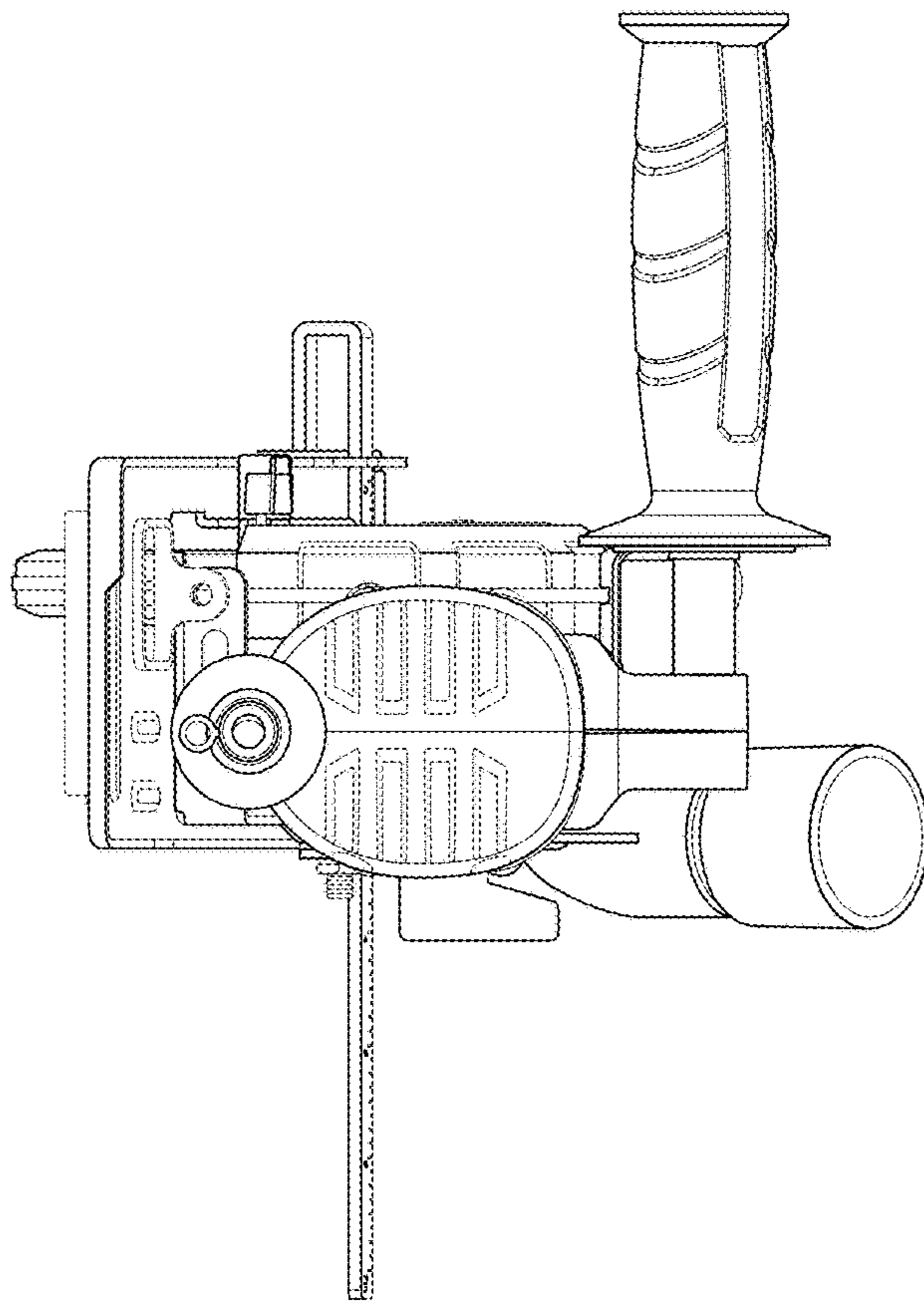


FIG.6

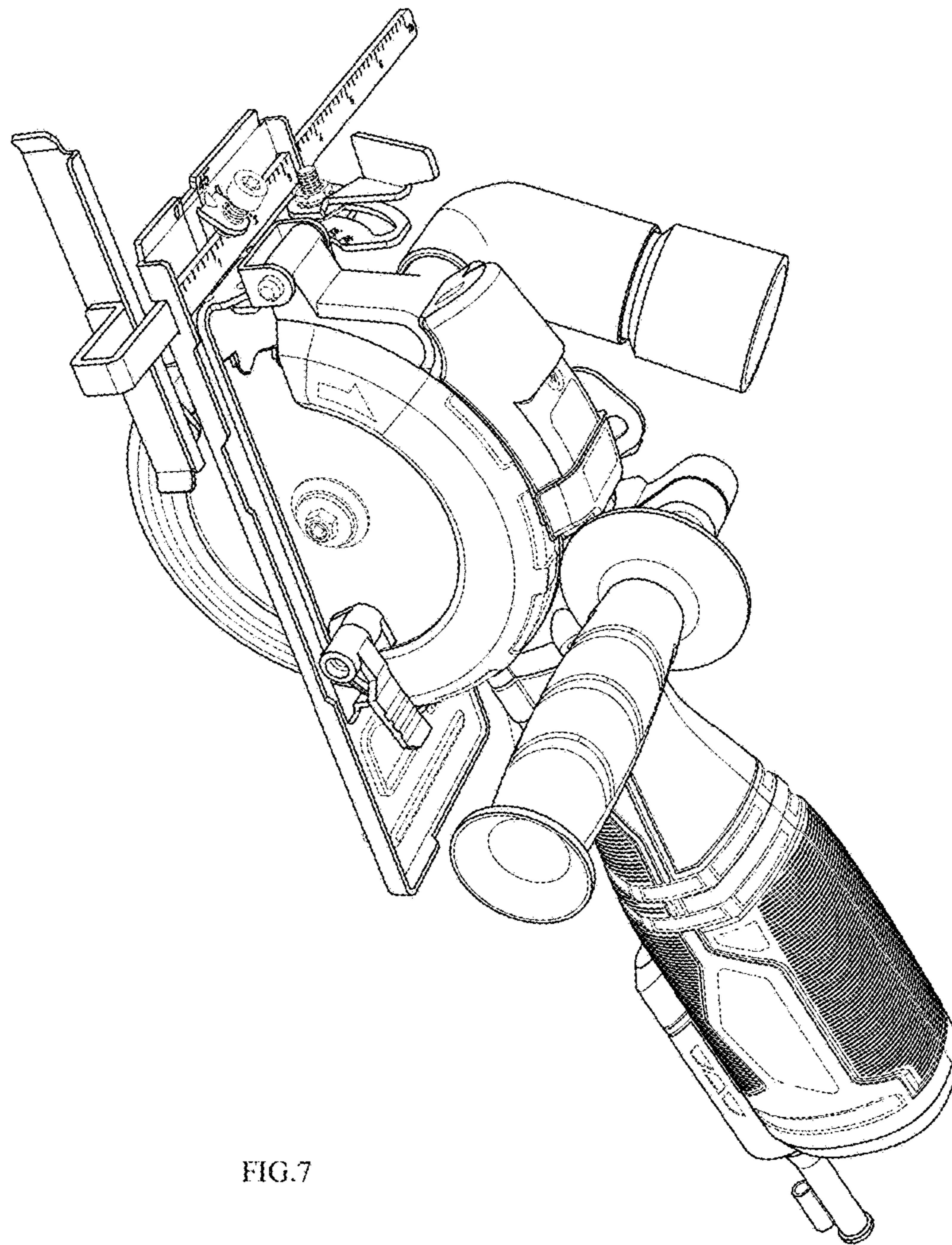


FIG. 7