



US00D864686S

(12) **United States Design Patent**
Jonasson et al.

(10) **Patent No.:** **US D864,686 S**
(45) **Date of Patent:** **** Oct. 29, 2019**

(54) **CRIMPING TOOL**

(71) Applicant: **Pressmaster AB**, Älvdalen (SE)

(72) Inventors: **Niklas Jonasson**, Färnäs (SE); **Marco Endler**, Älvdalen (SE); **Emilia Mossberg**, Bromma (SE)

(73) Assignee: **Pressmaster AB**, Älvdalen (SE)

(**) Term: **15 Years**

(21) Appl. No.: **29/623,737**

(22) Filed: **Oct. 26, 2017**

(30) **Foreign Application Priority Data**

Apr. 28, 2017 (EM) 003878503

(51) **LOC (12) Cl.** **08-05**

(52) **U.S. Cl.**
USPC **D8/52**

(58) **Field of Classification Search**
USPC D8/51-56, 58
CPC H01R 43/042
See application file for complete search history.

(56) **References Cited**

U.S. PATENT DOCUMENTS

- 4,614,107 A * 9/1986 Norin H01R 43/0424
72/402
- D336,025 S * 6/1993 Steiner D8/52
- D346,316 S * 4/1994 Bergkvist D8/52
- D460,670 S * 7/2002 Herzog D8/52
- D461,108 S * 8/2002 Herzog D8/52
- D609,541 S * 2/2010 Hutchfield D8/52
- D693,197 S * 11/2013 Hutchfield D8/51
- D693,198 S * 11/2013 Hutchfield D8/51

- D759,452 S * 6/2016 Persson D8/52
- D760,051 S * 6/2016 Tsai D8/52
- D768,451 S * 10/2016 Persson D8/52

* cited by examiner

Primary Examiner — Deanna L Pratt

(74) *Attorney, Agent, or Firm* — Studebaker & Brackett PC

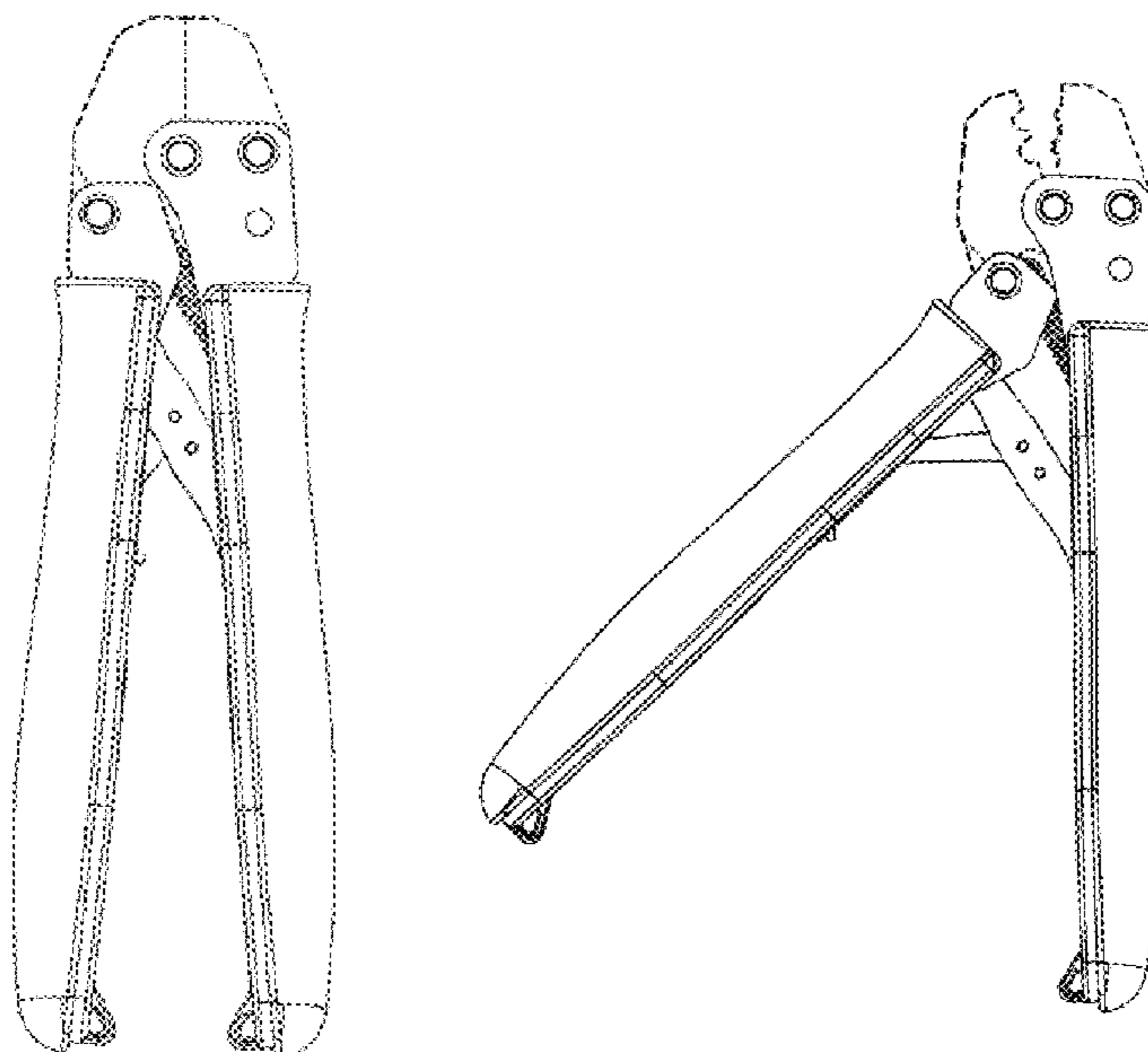
(57) **CLAIM**

The ornamental design for crimping tool, as shown and described.

DESCRIPTION

FIG. 1 is a left perspective view showing our new design for crimping tool,
 FIG. 2 is a front view thereof,
 FIG. 3 is a rear view thereof,
 FIG. 4 is a left side view thereof,
 FIG. 5 is a right side view thereof,
 FIG. 6 is a top view thereof,
 FIG. 7 is a bottom view thereof
 FIG. 8 is a right perspective view thereof,
 FIG. 9 is a left perspective view of a third embodiment,
 FIG. 10 is a front view thereof,
 FIG. 11 is a rear view thereof,
 FIG. 12 is a left side view thereof,
 FIG. 13 is a right side view thereof,
 FIG. 14 is a top view thereof,
 FIG. 15 is a bottom view thereof; and,
 FIG. 16 is a right perspective view thereof.
 The portion shown in dotted lines is for illustrative purposes only and forms no part of the claimed design.
 The broken lines illustrate portions of the crimping tool that form no part of the claimed design.

1 Claim, 16 Drawing Sheets



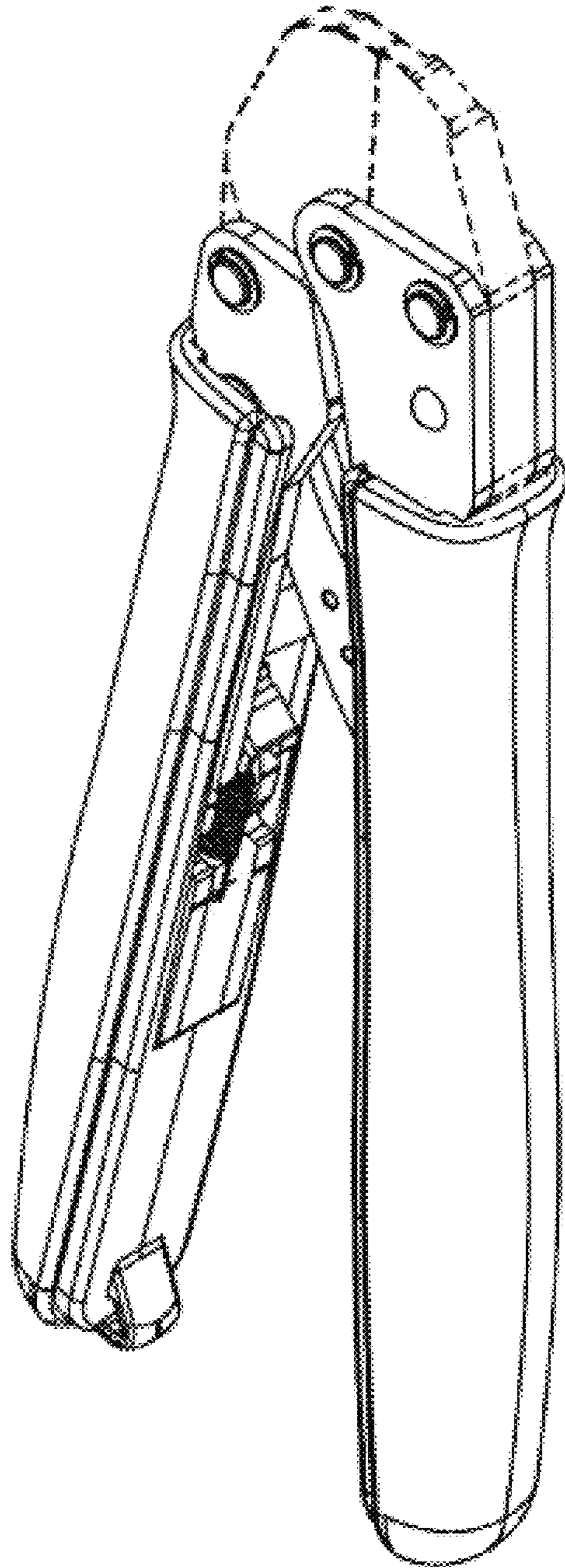


FIG. 1

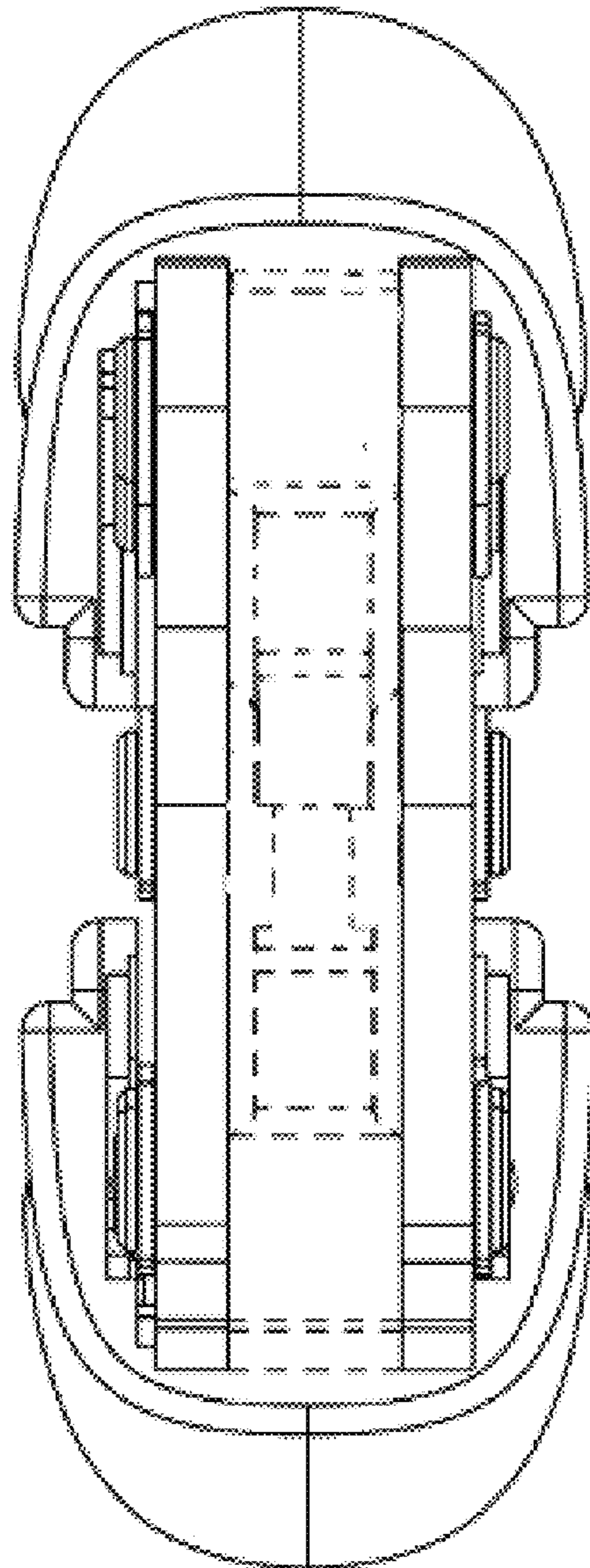


FIG. 2

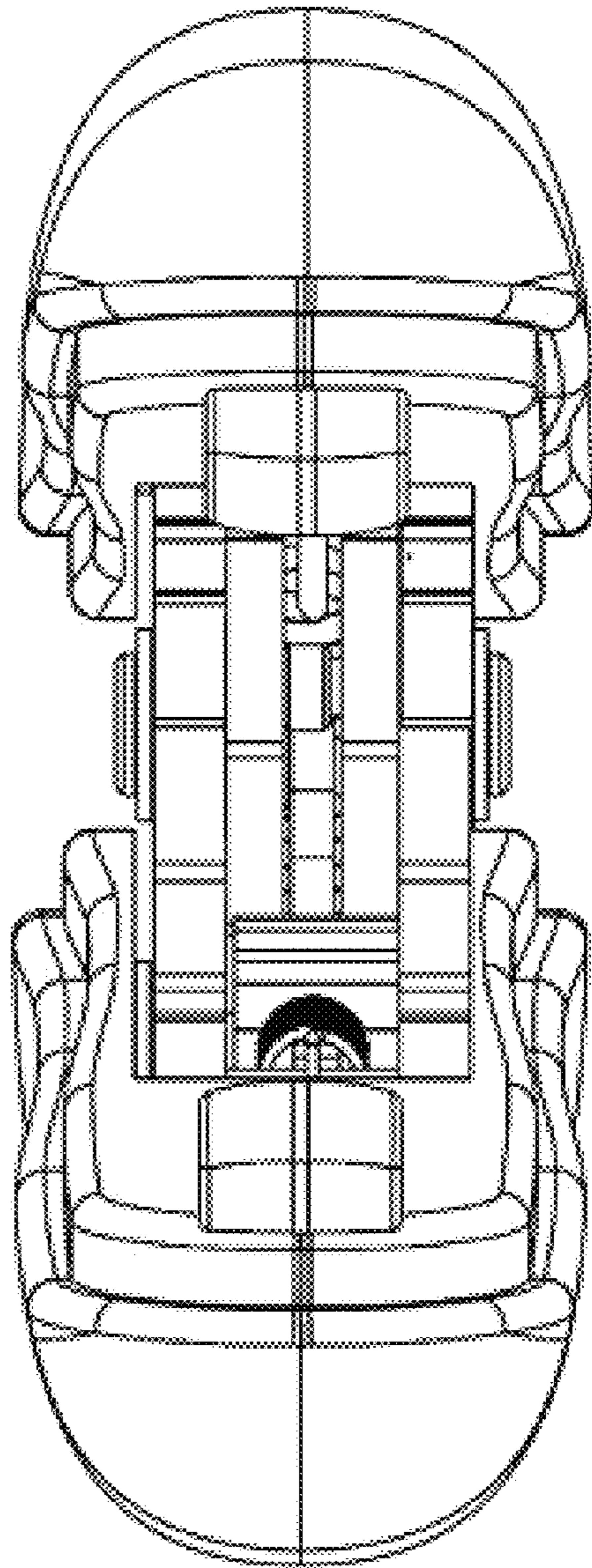


FIG. 3

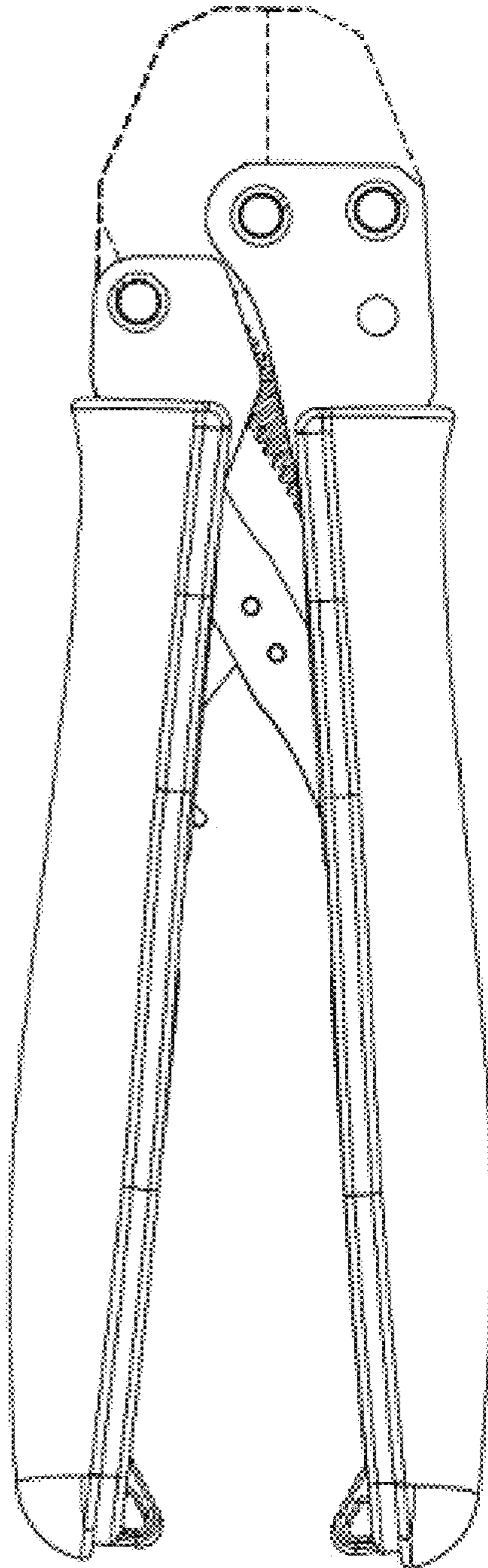


FIG. 4

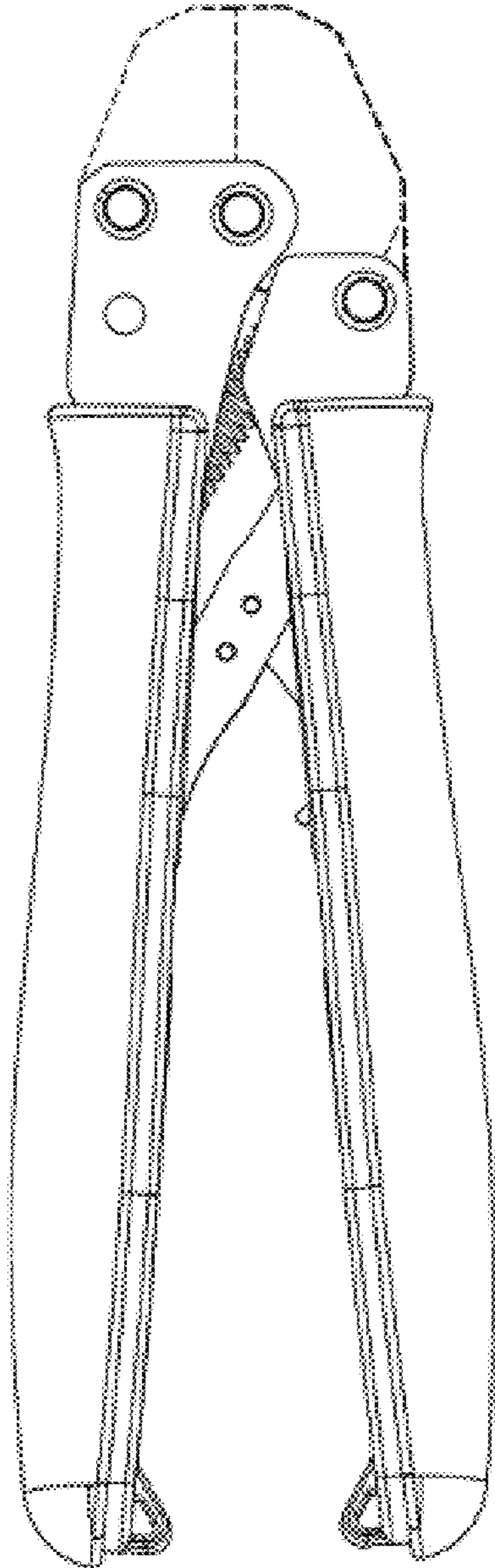


FIG. 5

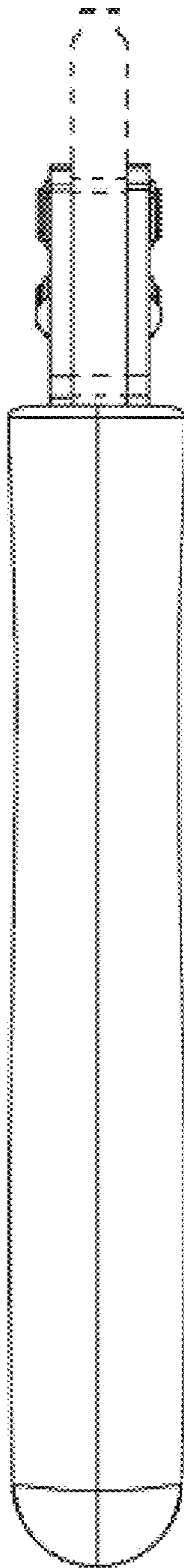


FIG. 6

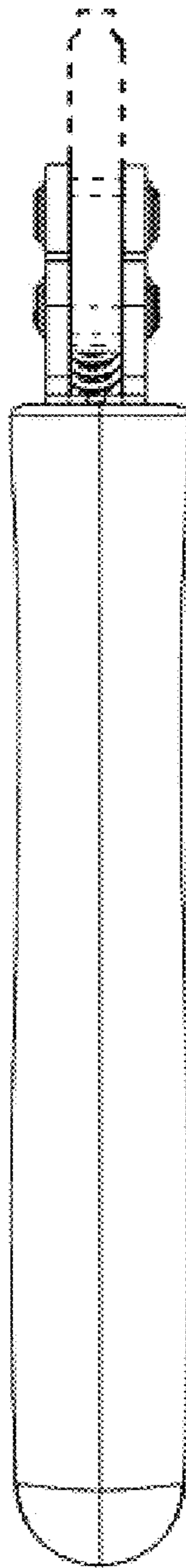


FIG. 7

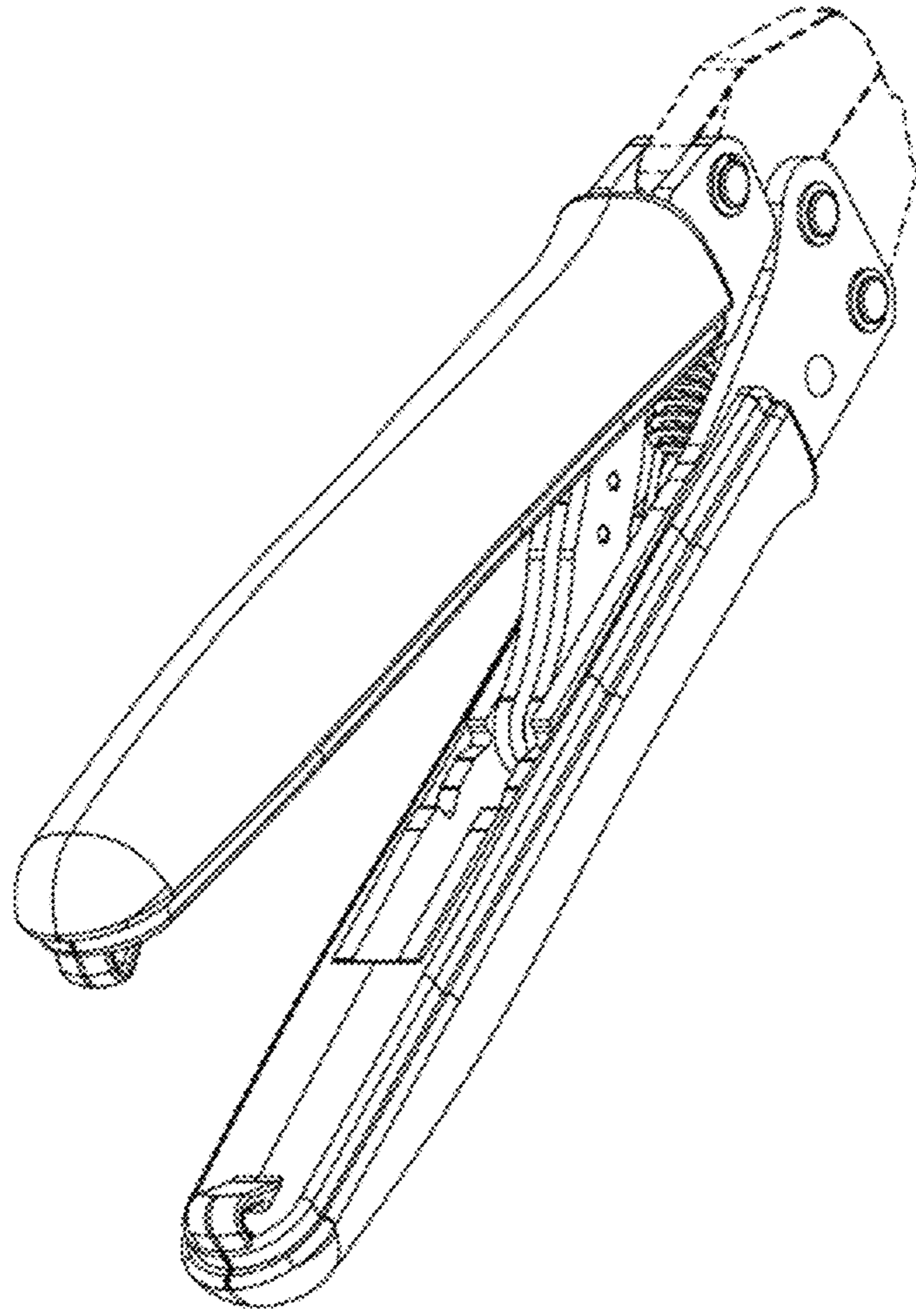


FIG. 8

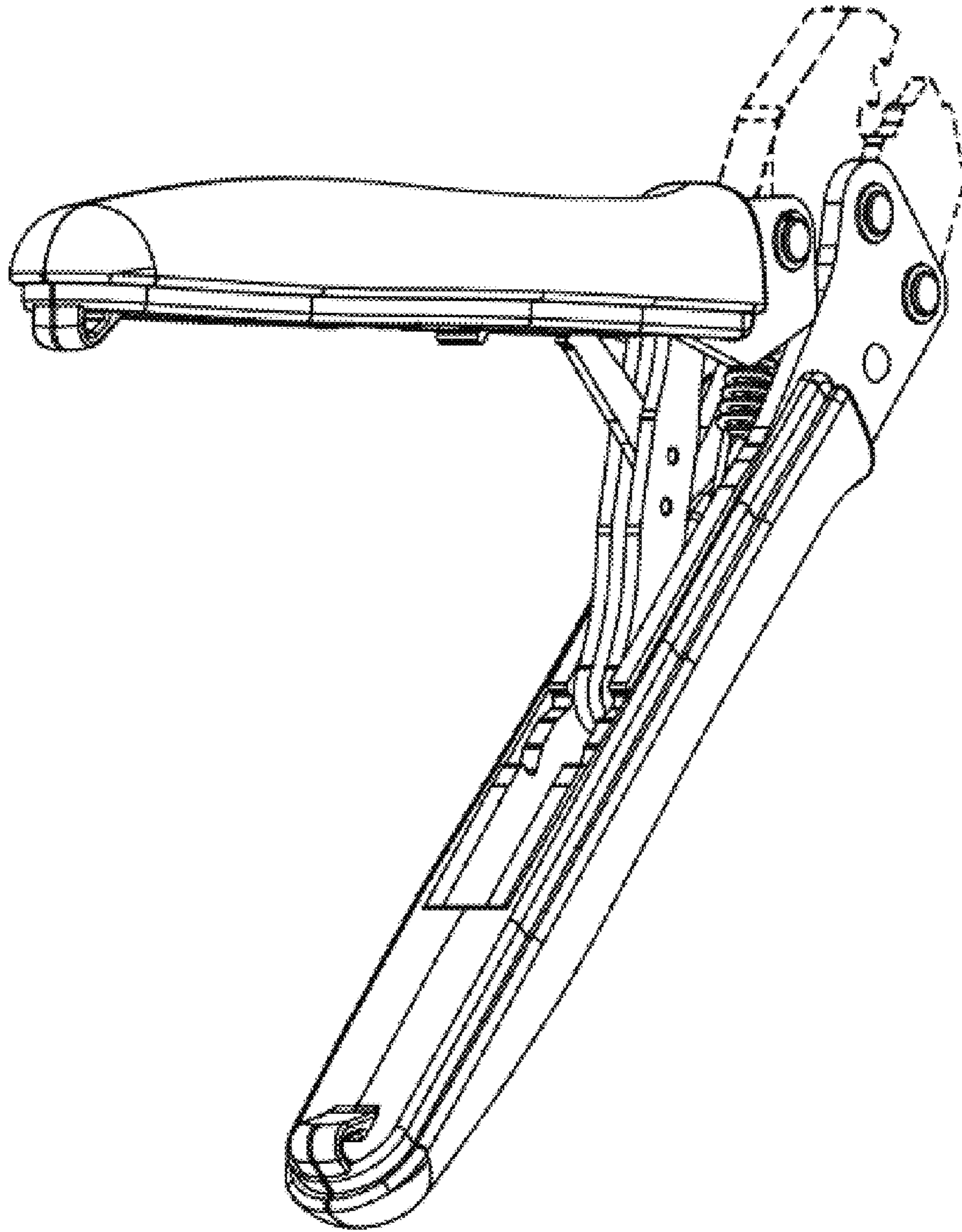


FIG. 9

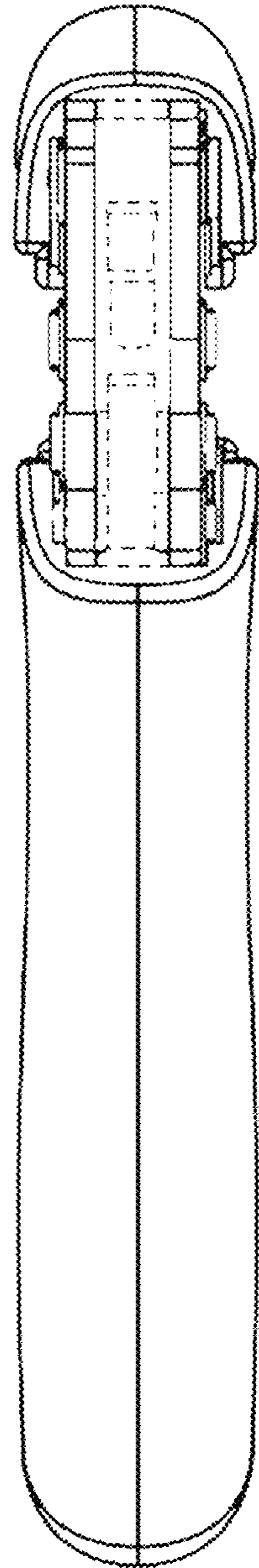


FIG. 10

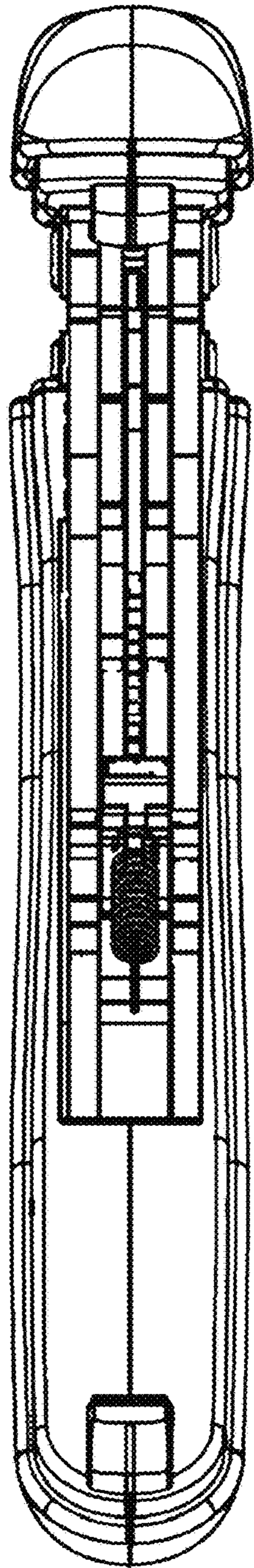


FIG. 11

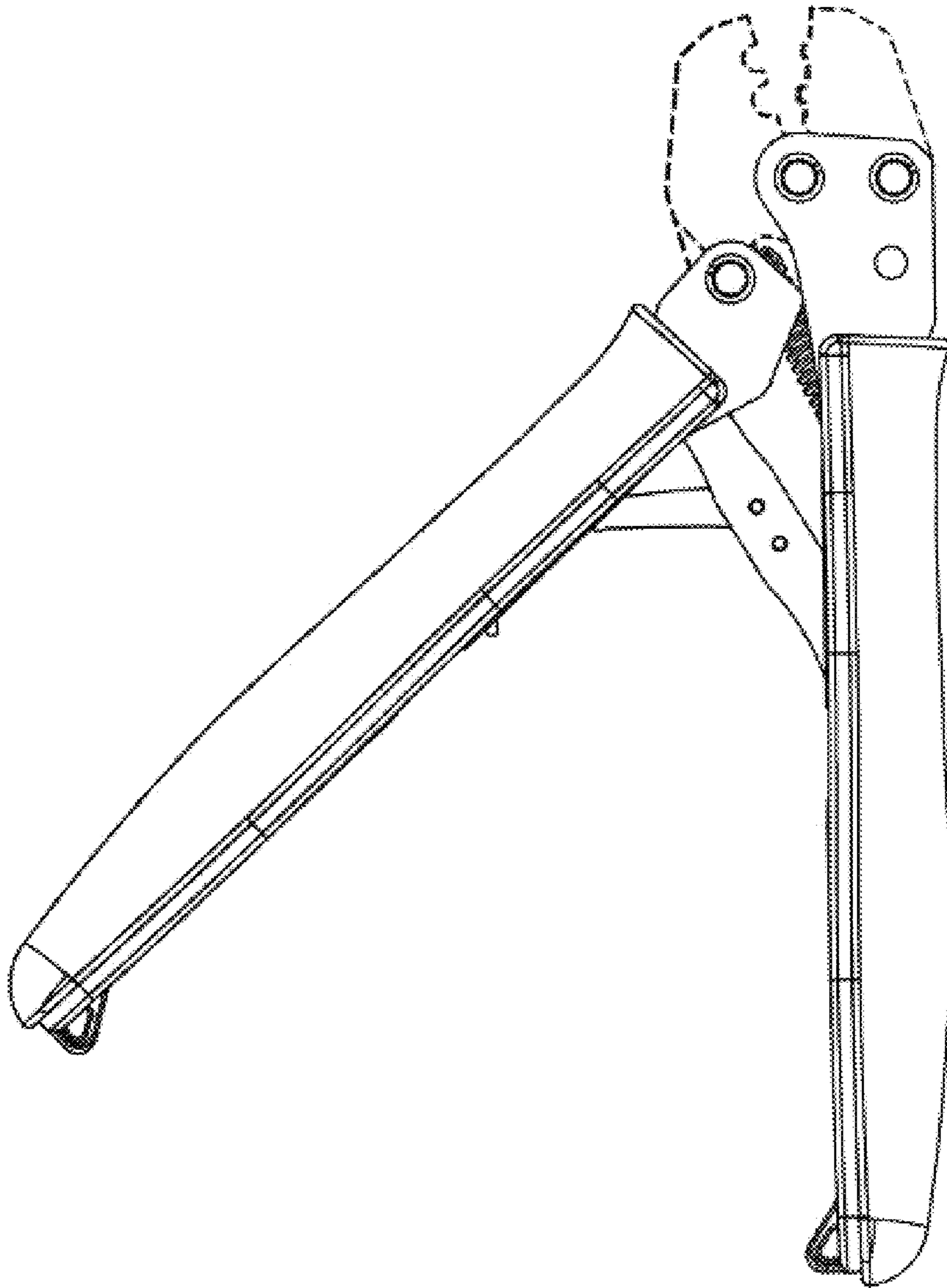


FIG. 12

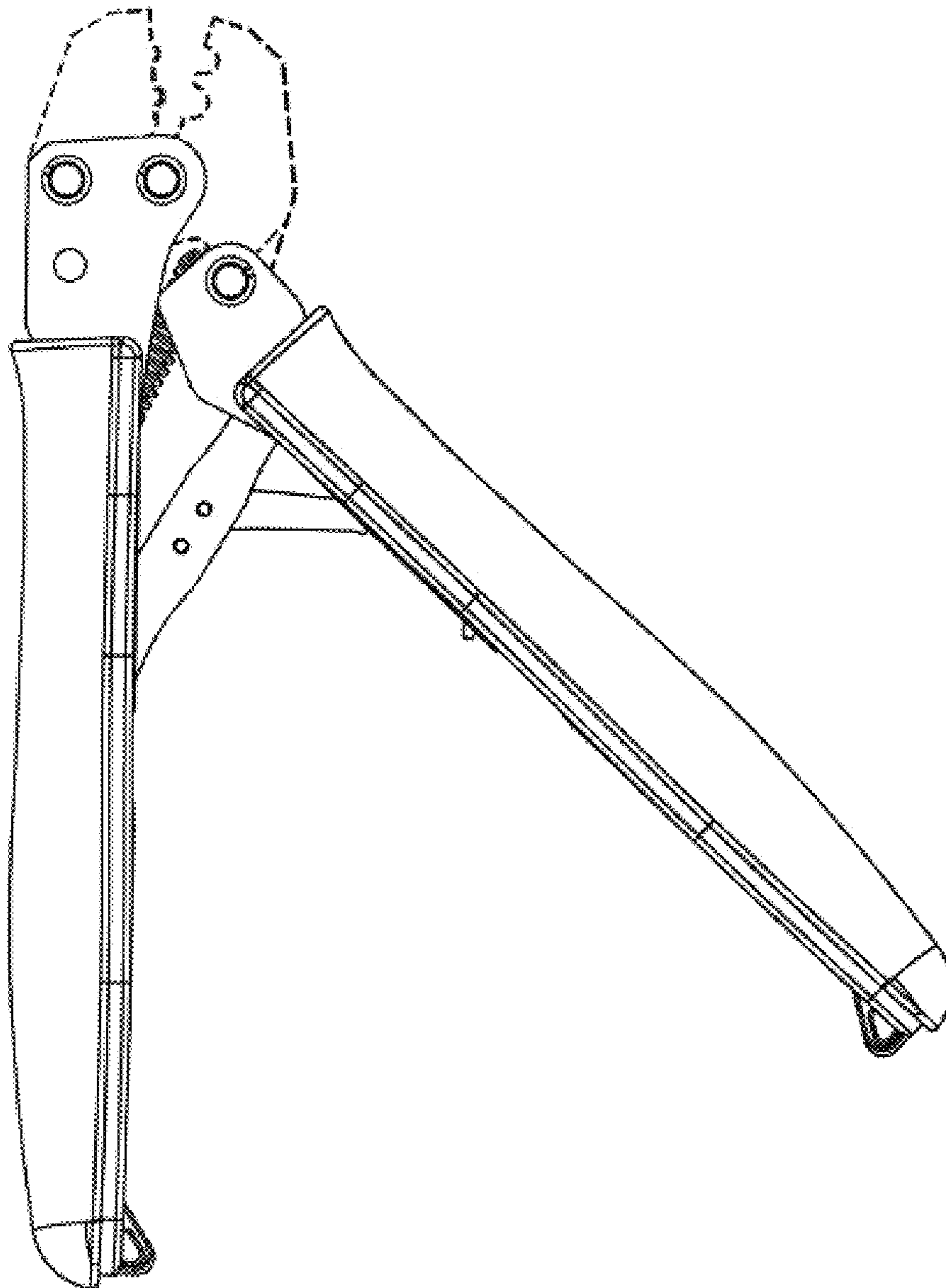


FIG. 13

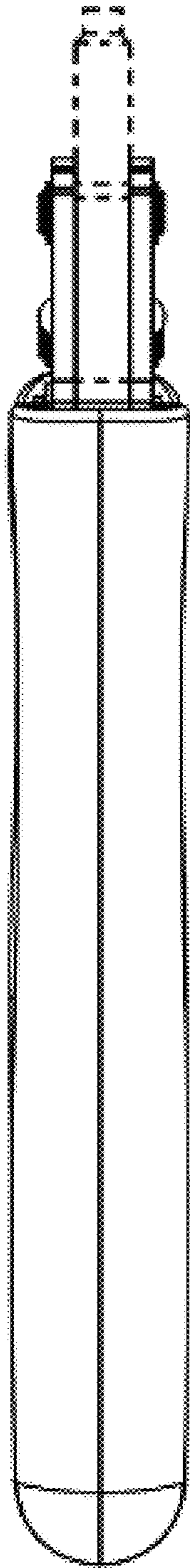


FIG. 14

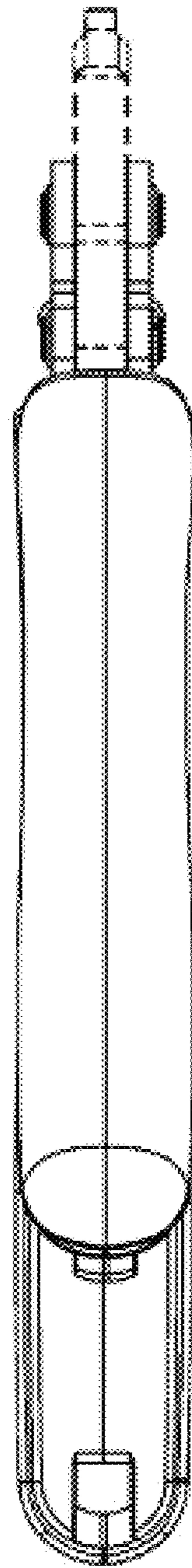


FIG. 15

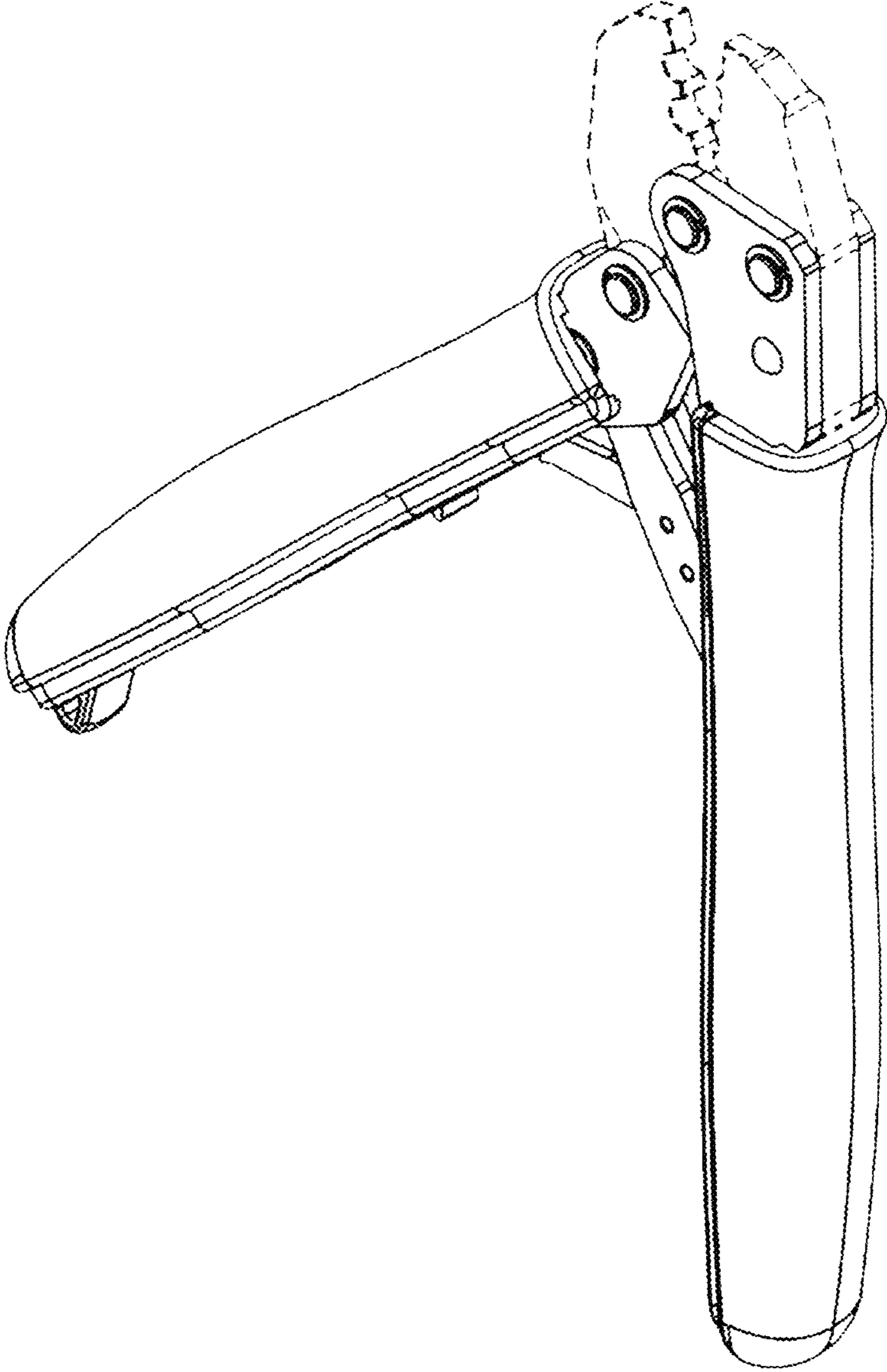


FIG. 16