

US00D864683S

(12) **United States Design Patent**  
**McPhee**

(10) **Patent No.:** **US D864,683 S**

(45) **Date of Patent:** **\*\* Oct. 29, 2019**

(54) **SOCKET**

(71) Applicant: **Superbolt, Inc.**, Carnegie, PA (US)

(72) Inventor: **Andrew McPhee**, Chapel Hill (AU)

(73) Assignee: **Superbolt, Inc.**, Carnegie, PA (US)

(\*\*) Term: **15 Years**

(21) Appl. No.: **29/655,885**

(22) Filed: **Jul. 9, 2018**

(51) **LOC (12) Cl.** ..... **08-05**

(52) **U.S. Cl.**  
USPC ..... **D8/29**

(58) **Field of Classification Search**  
USPC ..... D8/29; 81/60, 177.1, 177.85, 121.1,  
81/124.3, 165-170, 110.1, 176.2, 124.6,  
81/176.1, 176.15, 177.2, 186; 16/110.1  
CPC ..... B25B 13/06; B25B 13/065  
See application file for complete search history.

(56) **References Cited**

U.S. PATENT DOCUMENTS

D474,382 S \* 5/2003 Tsai ..... D8/29  
D714,606 S \* 10/2014 Lee ..... D8/29

D755,028 S \* 5/2016 Yu ..... D8/29  
2012/0285298 A1 11/2012 Richardson et al.  
2013/0032009 A1 2/2013 Hui et al.

FOREIGN PATENT DOCUMENTS

JP 9216172 8/1997  
JP 2001287170 10/2001

OTHER PUBLICATIONS

ISR from corresponding PCT application, dated Jul. 9, 2018.

\* cited by examiner

*Primary Examiner* — Randall H Gholson

(74) *Attorney, Agent, or Firm* — Stephen T. Scherrer;  
Monique A. Morneault; Scherrer Patent & Trademark  
Law. P.C.

(57) **CLAIM**

The ornamental design for a socket, as shown and described.

**DESCRIPTION**

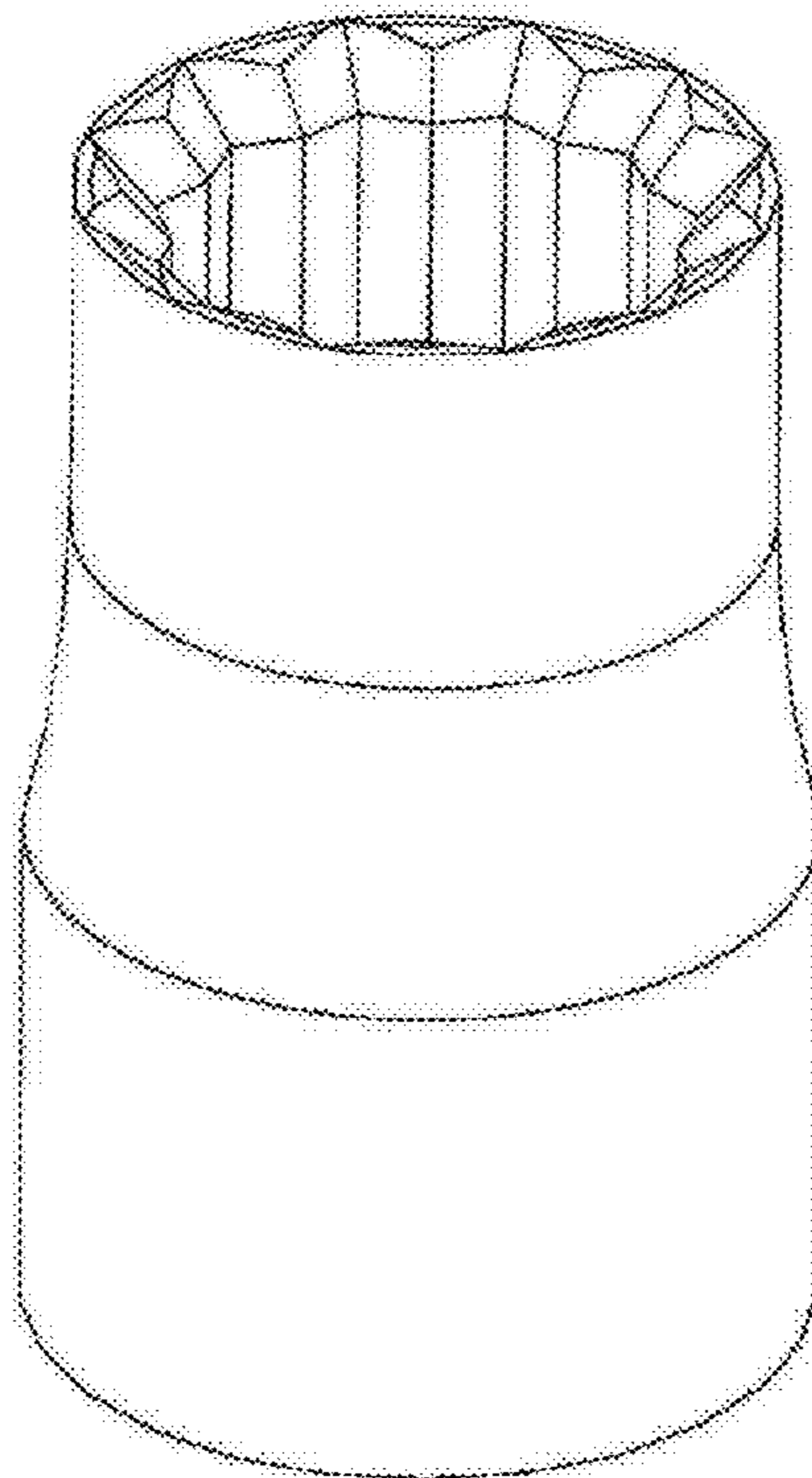
FIG. 1 is a perspective view of a socket showing our new design;

FIG. 2 is a side view of the socket;

FIG. 3 is a top view of the socket; and,

FIG. 4 is a sectional view of the socket.

**1 Claim, 4 Drawing Sheets**



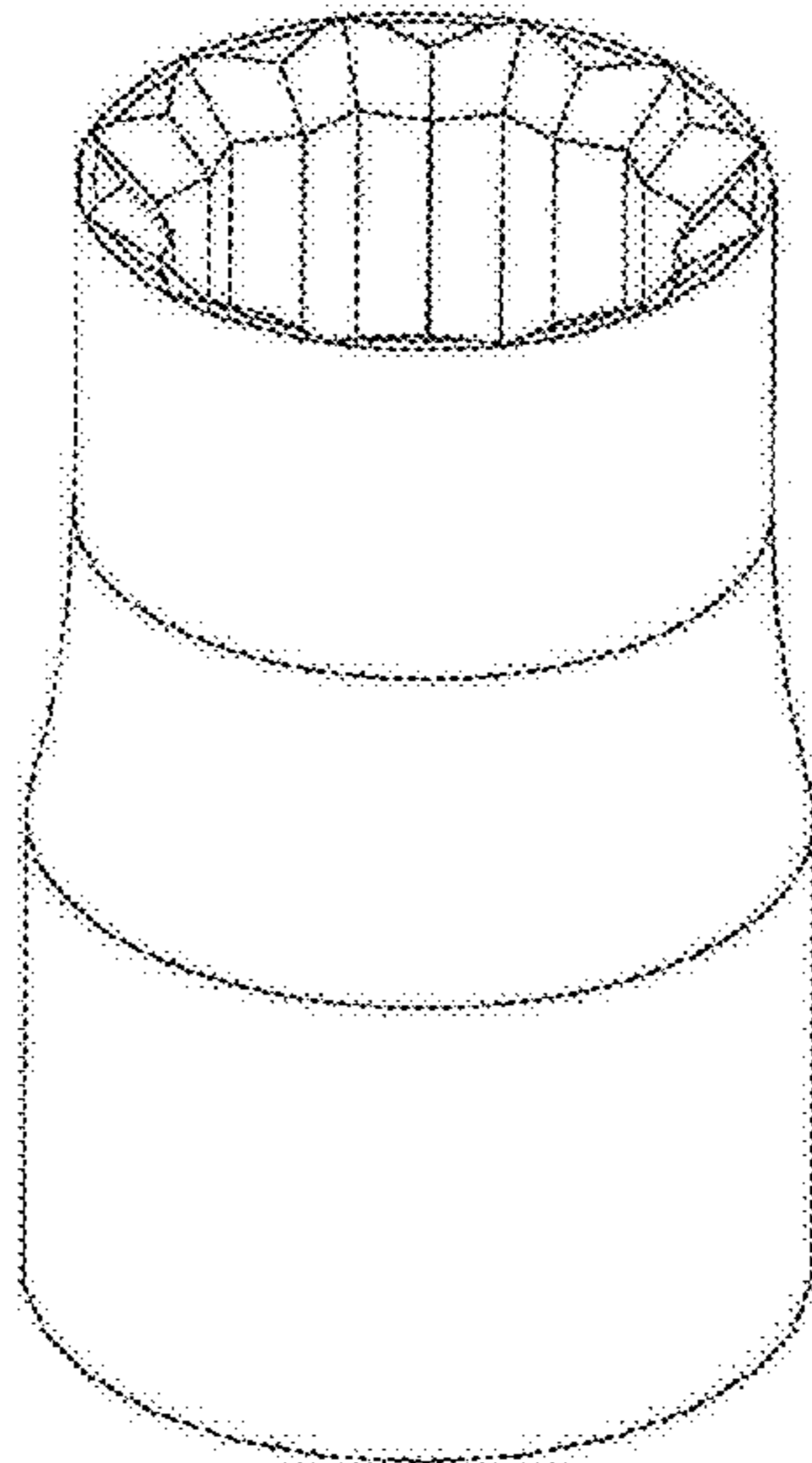


FIGURE 1

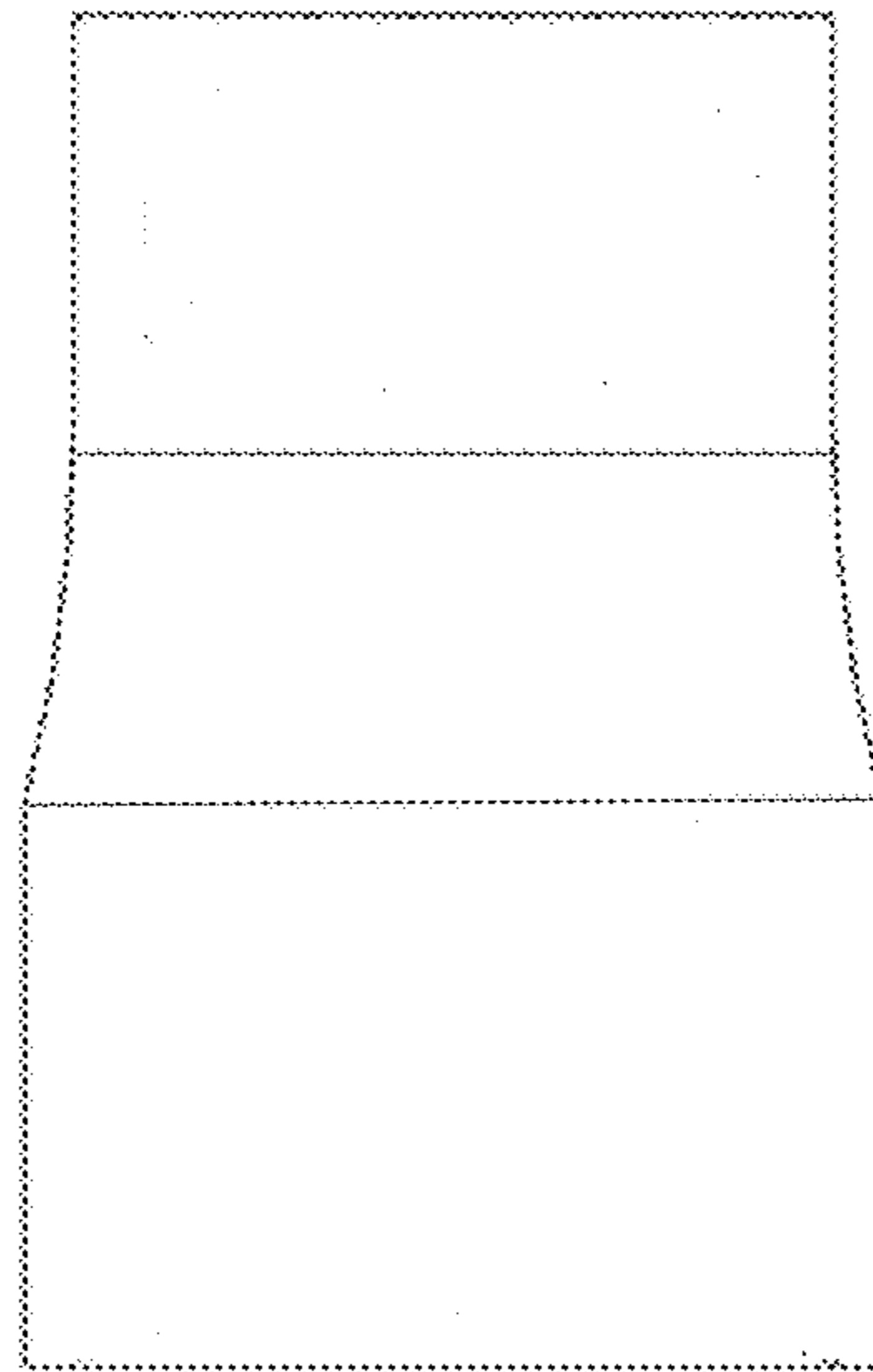


FIGURE 2

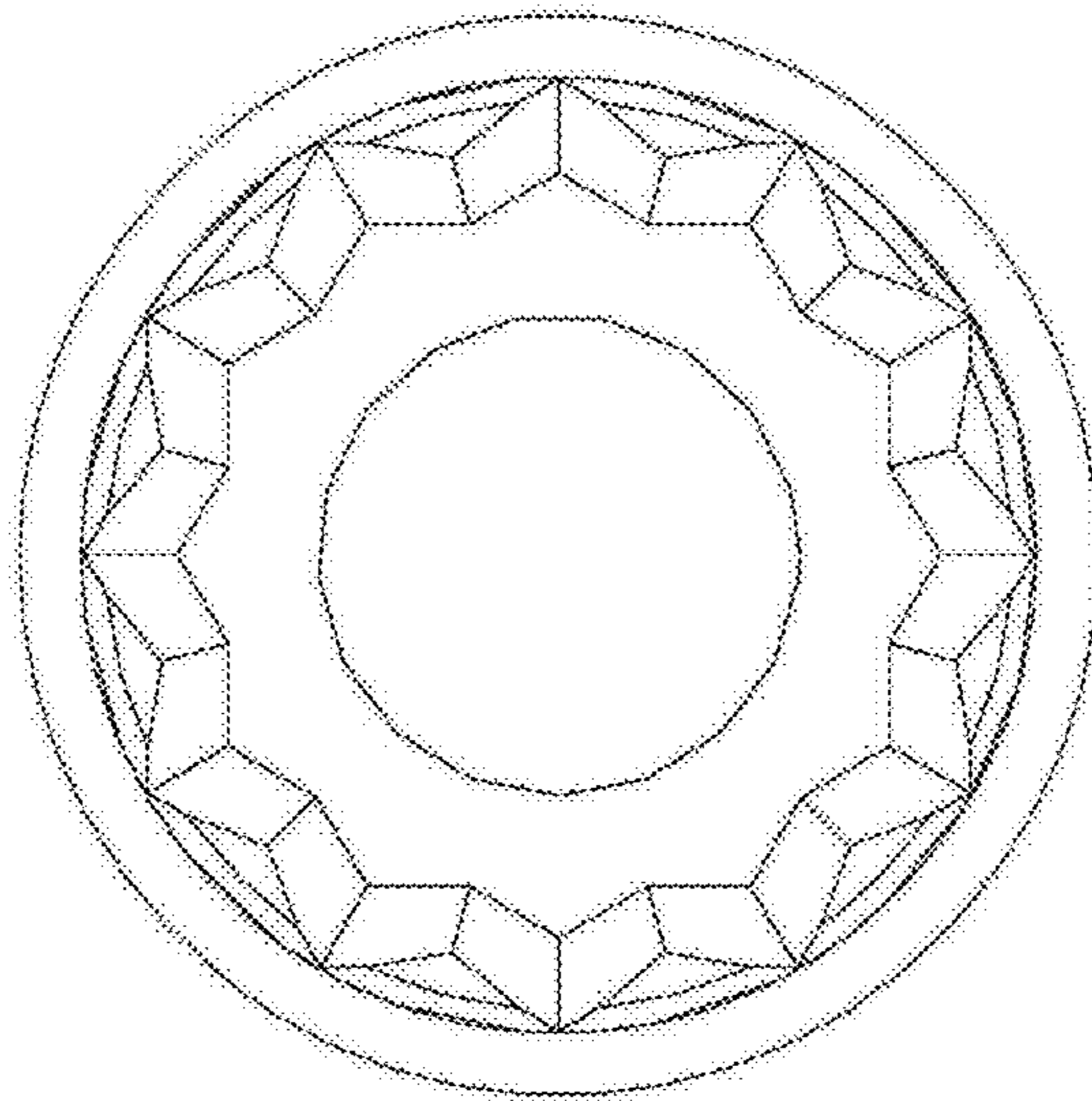


FIGURE 3

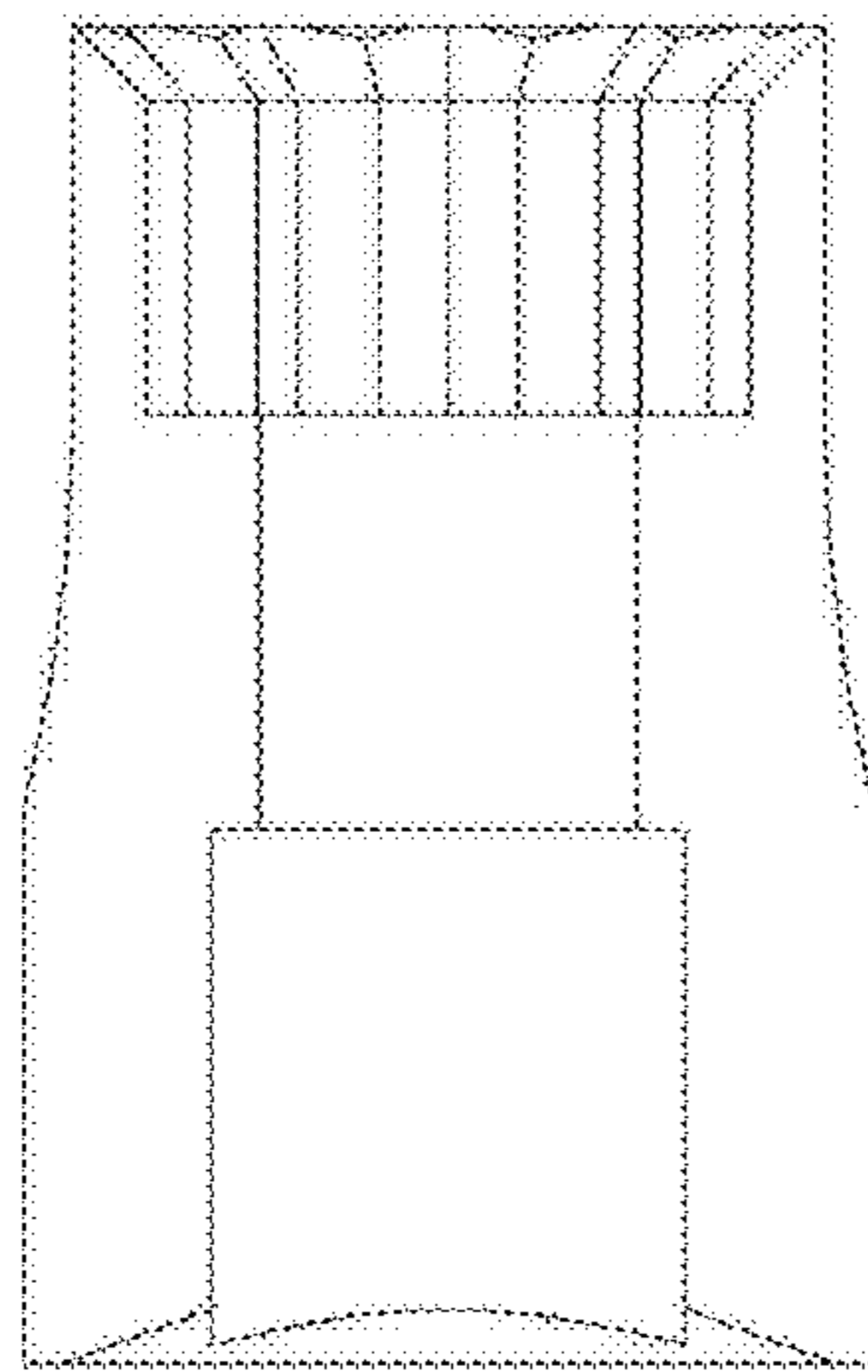


FIGURE 4