



US00D864682S

(12) **United States Design Patent**  
**Hyust et al.**

(10) **Patent No.:** **US D864,682 S**  
(45) **Date of Patent:** **\*\* Oct. 29, 2019**

- (54) **WRENCH**
- (71) Applicant: **KIRK WRENCH LLC**, Canton, OH (US)
- (72) Inventors: **Kirk W. Hyust**, Canton, OH (US);  
**Karl H. Beitzel**, Canton, OH (US)
- (73) Assignee: **KIRK WRENCH LLC**, Canton, OH (US)
- (\*\*) Term: **15 Years**
- (21) Appl. No.: **29/632,830**
- (22) Filed: **Jan. 10, 2018**

D340,175 S *	10/1993	Mann	.....	D8/28
5,732,605 A	3/1998	Mann		
5,870,932 A	2/1999	Brooke		
6,000,299 A	12/1999	Cole		
D418,727 S	1/2000	Hsieh		
D519,342 S	4/2006	Hartman		
7,182,000 B1	2/2007	Dicksen		
7,299,723 B1	11/2007	Wessel, IV		
D666,883 S	9/2012	Howard		
8,353,229 B1	1/2013	Muhareb		
8,485,072 B2	7/2013	Swing		
D689,351 S	9/2013	Webb, Jr.		
8,820,196 B1	9/2014	Kennedy		
D755,592 S	5/2016	Bullard		

(Continued)

**Related U.S. Application Data**

- (62) Division of application No. 29/571,927, filed on Jul. 22, 2016, now Pat. No. Des. 809,357.
- (51) **LOC (12) Cl.** ..... **08-05**
- (52) **U.S. Cl.**  
USPC ..... **D8/25**; D8/28
- (58) **Field of Classification Search**  
USPC ..... D8/21-29; 81/177.1, 177.85, 121.1,  
81/124.3, 165-170, 110.1, 176.2, 124.6,  
81/176.1, 176.15, 177.2; 16/110.1  
CPC ..... B25B 1/00; B25B 19/00; B25B 27/00  
See application file for complete search history.

**References Cited**

**U.S. PATENT DOCUMENTS**

174,745 A	3/1876	Squire
1,384,887 A	7/1921	Bumdahl
1,400,285 A	12/1921	Hart
1,568,442 A	1/1926	Carver
1,840,685 A	1/1932	Witherup et al.
D104,869 S	6/1937	MoNought
2,804,794 A	9/1957	Stang
3,715,937 A	2/1973	Cade et al.

**OTHER PUBLICATIONS**

Author Unknown, picture of 3 wrenches with two labeled "Stanley", webpage, date unknown, 1 page, publisher unknown, found on the internet Oct. 28, 2015.

(Continued)

*Primary Examiner* — Randall H Gholson

(74) *Attorney, Agent, or Firm* — Hudak, Shunk & Farine Co. LPA

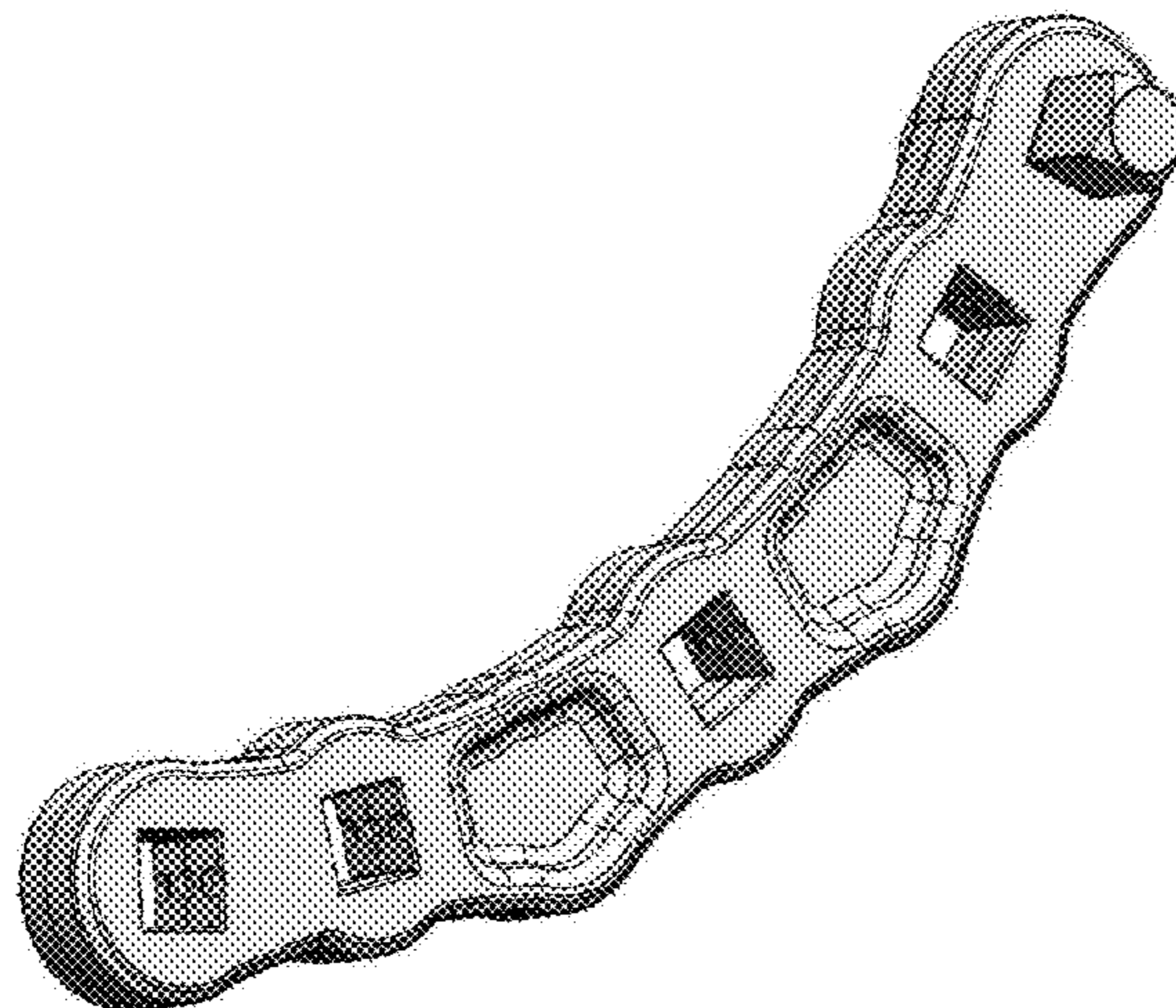
**CLAIM**

(57) The ornamental design for a wrench, as shown and described.

**DESCRIPTION**

FIG. 1 is a bottom left side perspective view of the wrench having a drive post on each side surface;  
FIG. 2 is a top view;  
FIG. 3 is a bottom view;  
FIG. 4 is a bottom left side perspective view;  
FIG. 5 is a top right side perspective view;  
FIG. 6 is a left side view; and,  
FIG. 7 is a right side view.

**1 Claim, 7 Drawing Sheets**



(56)

**References Cited**

U.S. PATENT DOCUMENTS

2004/0025646 A1 2/2004 Hsien  
2006/0288825 A1 12/2006 Hu

OTHER PUBLICATIONS

Author Unknown, picture of wrenches labeled 35-1 to 37-8, webpage, date unknown, 1 page, publisher unknown, found on the internet Oct. 28, 2015.

Fire Fighter Equipment Store, Akron #19 Universal Suction Spanner Wrench, webpage, date unknown, 1 page, found on the internet Oct. 28, 2015.

General Tools & Instruments, 140XL Basin Wrench Large Jaw, webpage, date unknown, 1 page, found on the internet Oct. 28, 2015.

\* cited by examiner

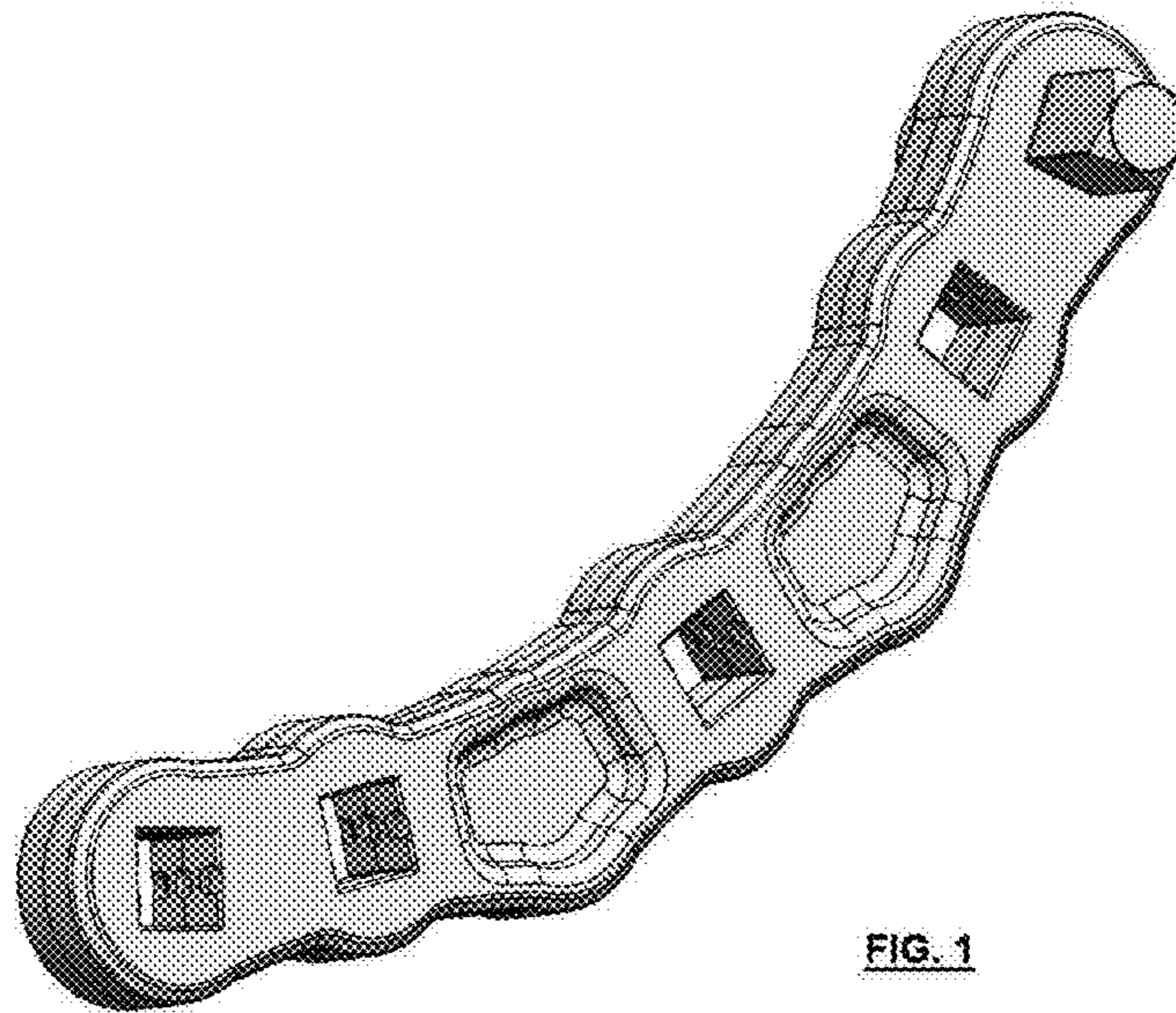


FIG. 1

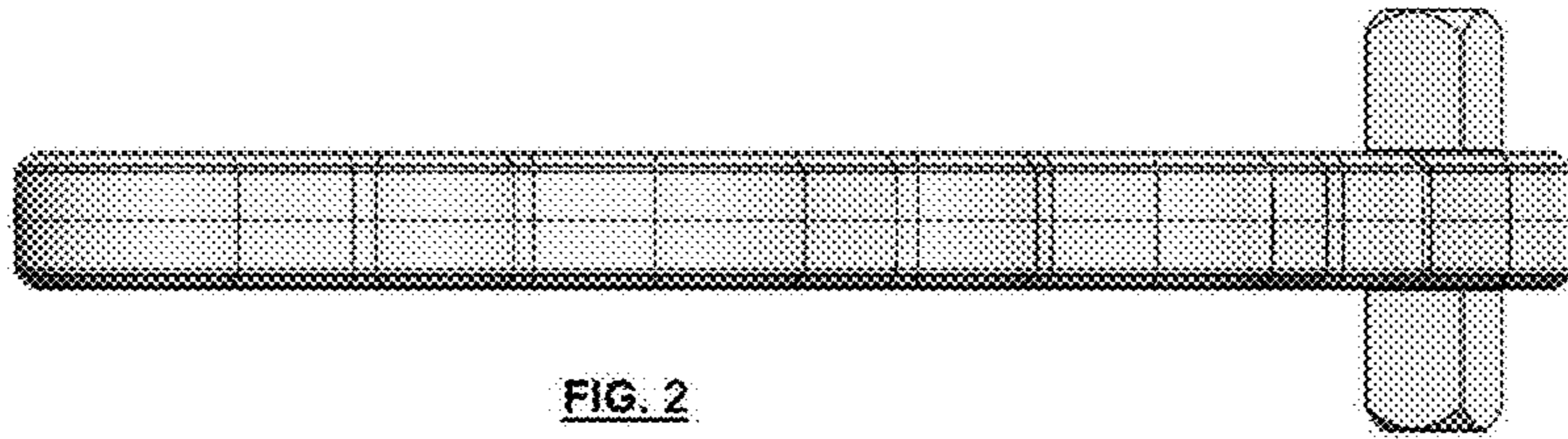


FIG. 2

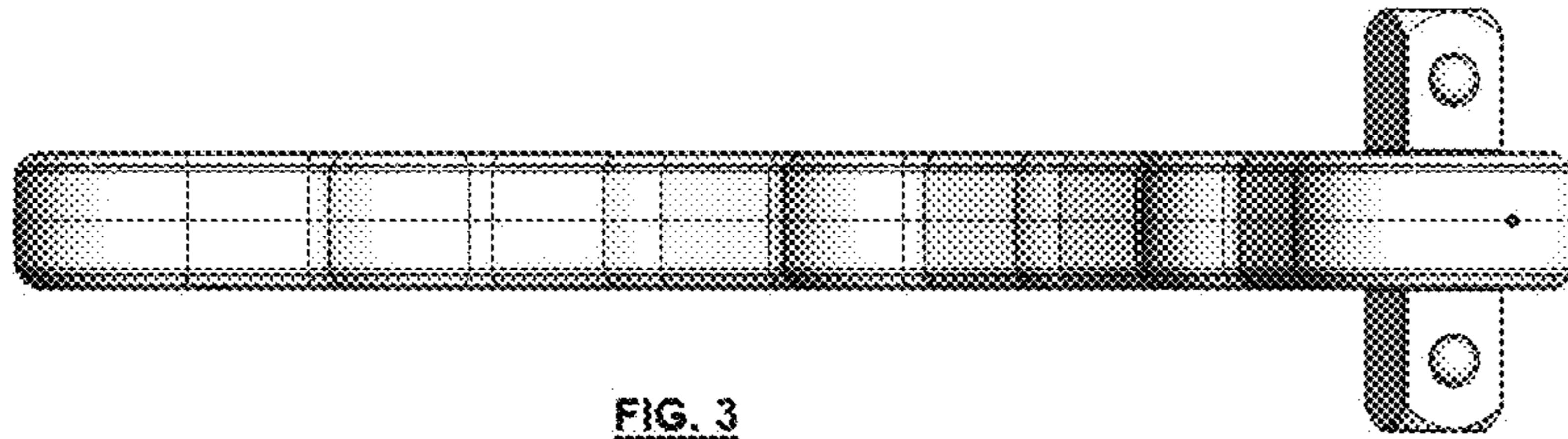


FIG. 3

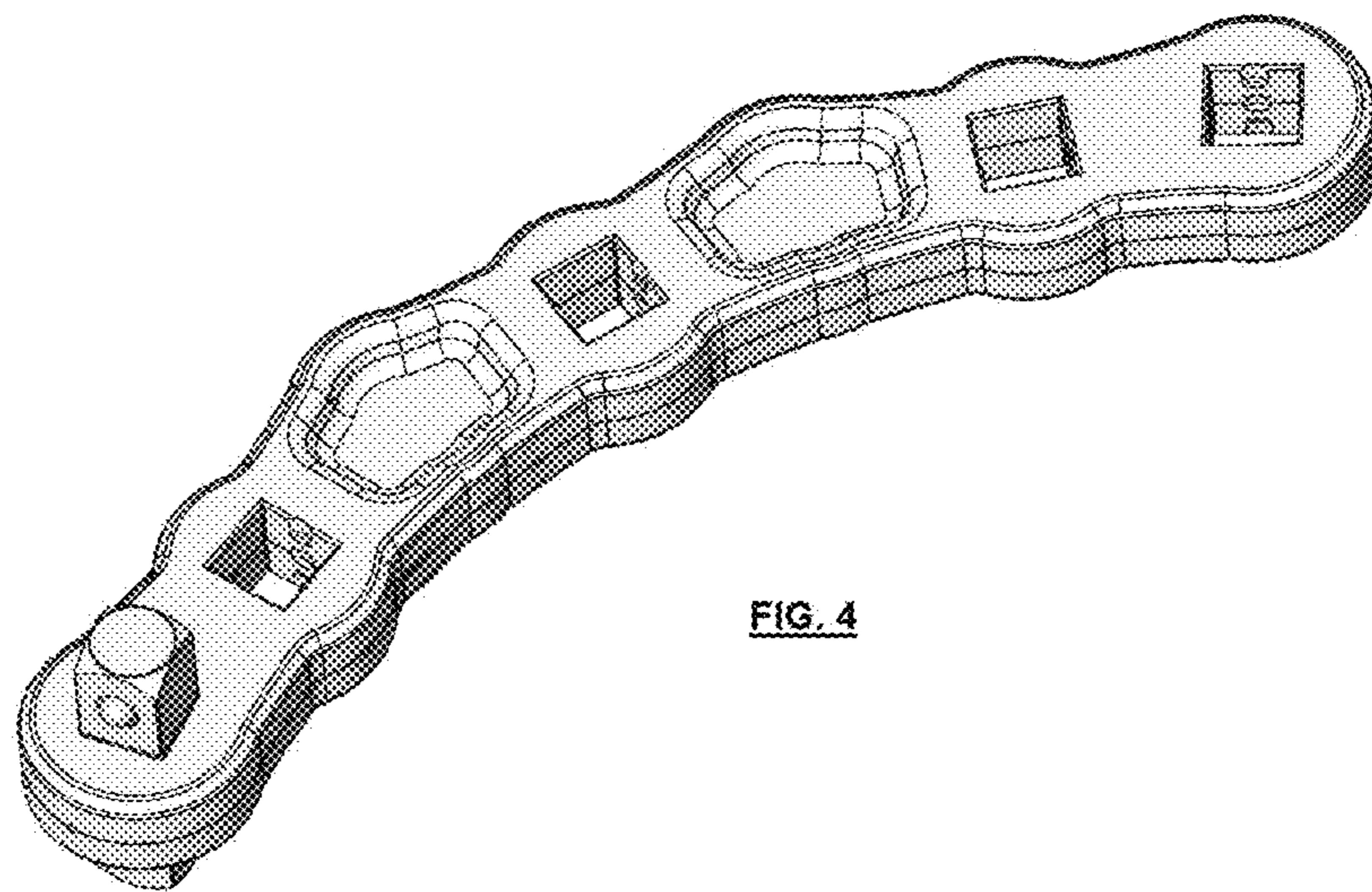


FIG. 4

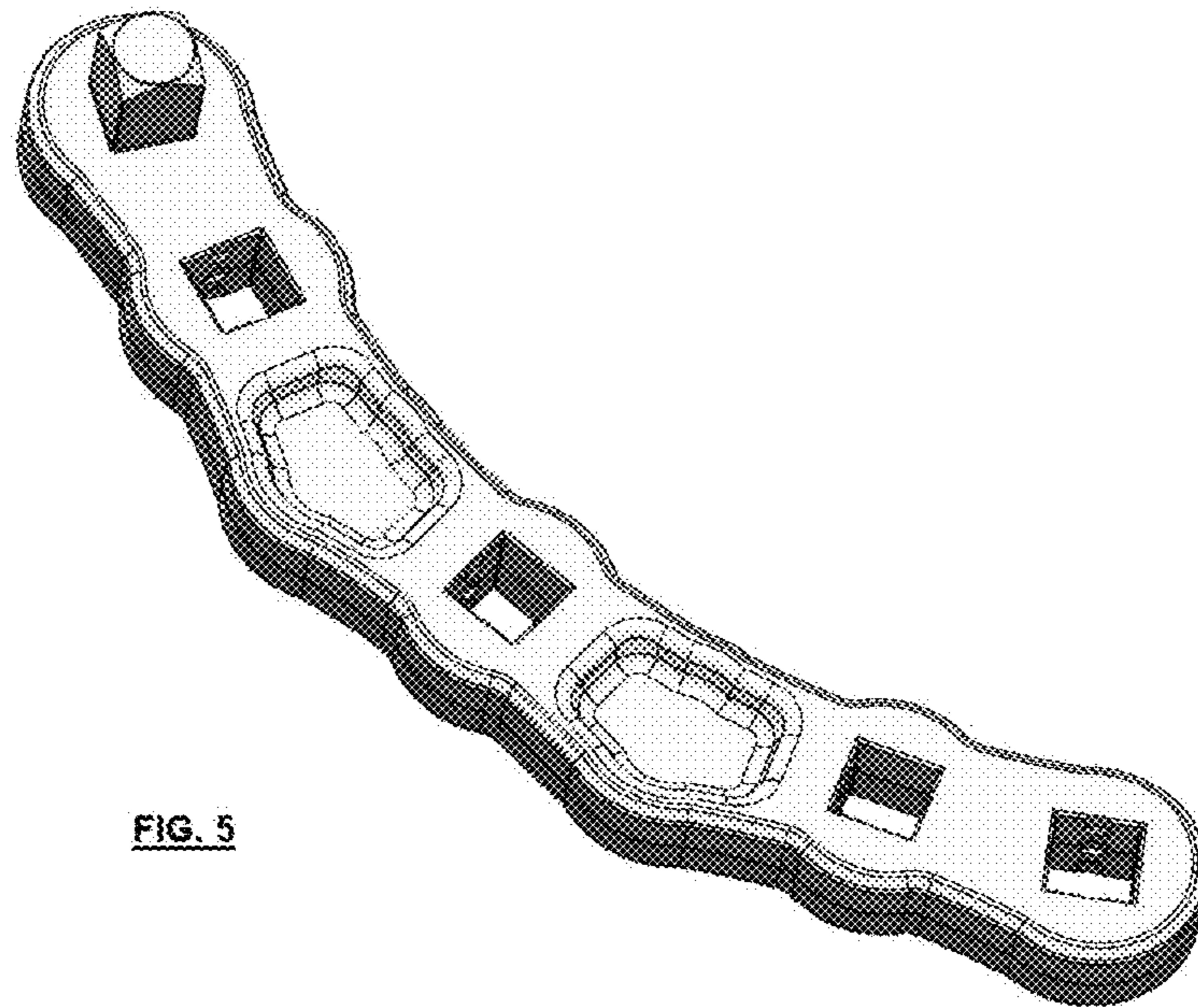


FIG. 5

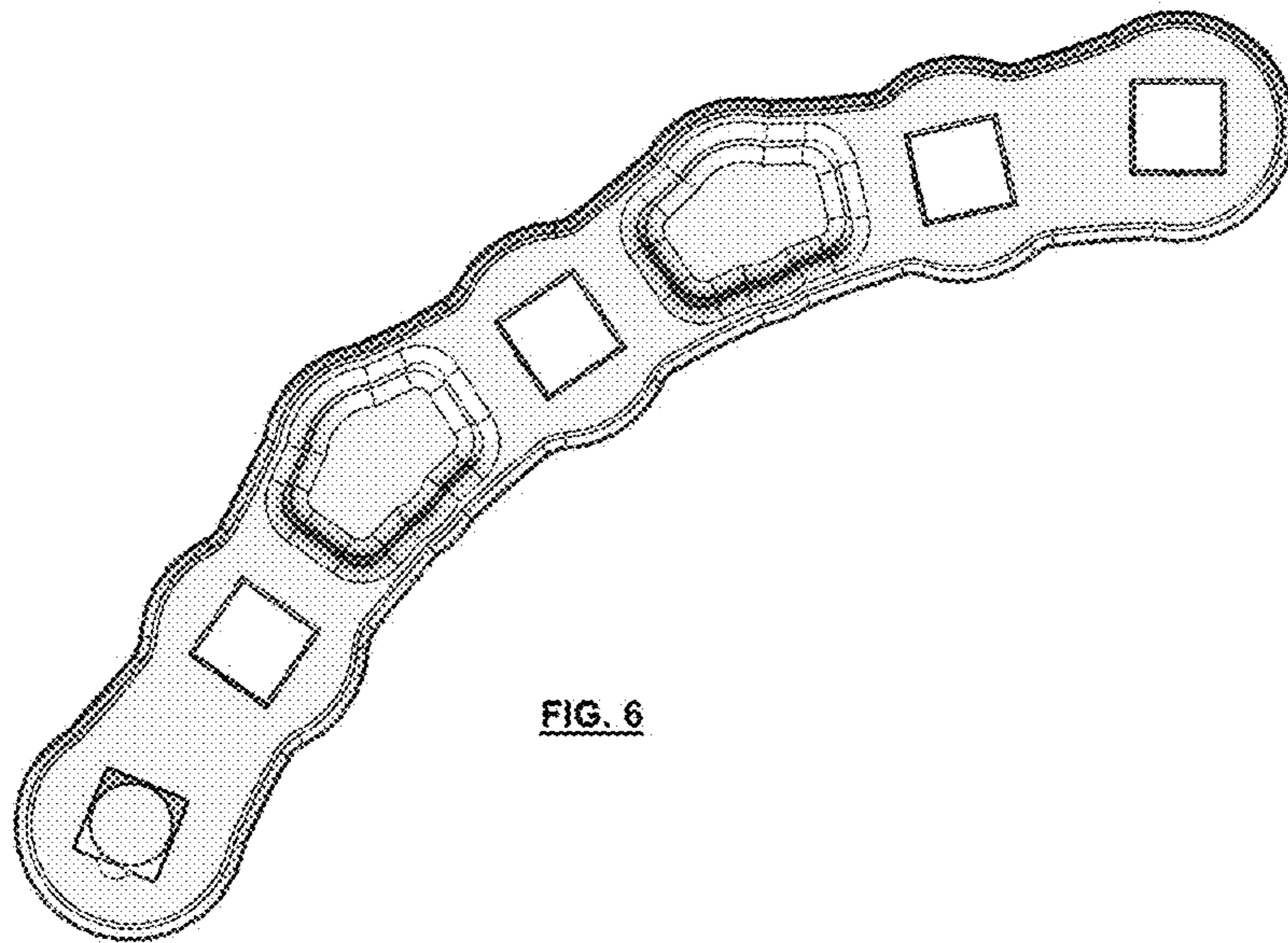


FIG. 6



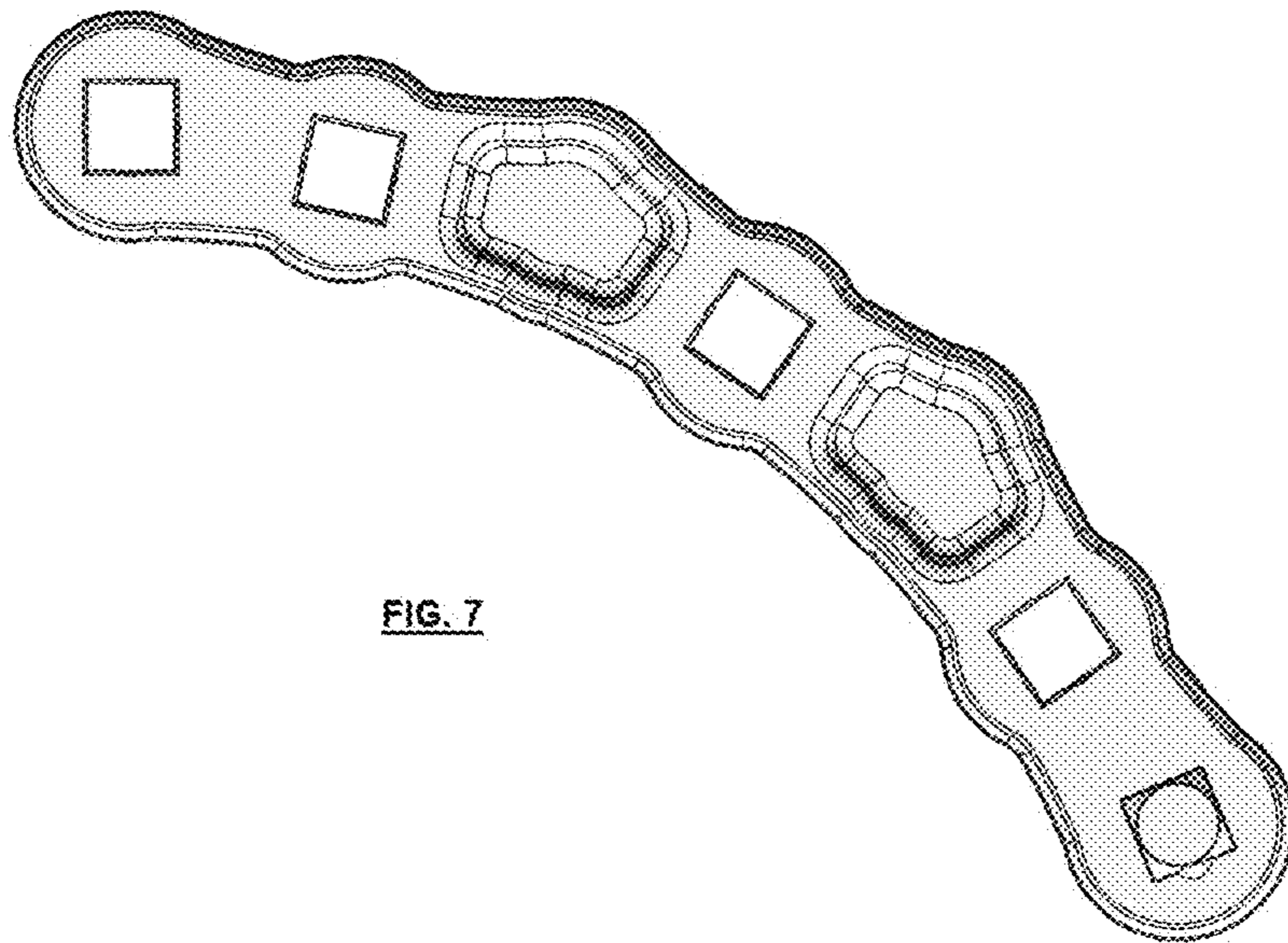


FIG. 7