



US00D864680S

(12) **United States Design Patent**  
**Lipscomb et al.**

(10) **Patent No.:** **US D864,680 S**

(45) **Date of Patent:** **\*\* Oct. 29, 2019**

- (54) **NAIL POSITIONER**
- (71) Applicant: **Fiskars Finland Oy Ab**, Helsinki (FI)
- (72) Inventors: **Daniel Lipscomb**, Prairie Du Sac, WI (US); **Emery Weber**, Madison, WI (US); **Brian Rojas-Edge**, Madison, WI (US); **Rachel Belter**, Madison, WI (US)
- (73) Assignee: **Fiskars Finland Oy Ab**, Helsinki (FI)
- (\*\*) Term: **15 Years**
- (21) Appl. No.: **29/644,237**
- (22) Filed: **Apr. 16, 2018**
- (51) **LOC (12) Cl.** ..... **08-05**
- (52) **U.S. Cl.**  
USPC ..... **D8/14**
- (58) **Field of Classification Search**  
USPC ..... D8/14, 16, 71, 107  
CPC ..... B25C 3/00; B25C 3/06; B25C 3/08  
See application file for complete search history.

- (56) **References Cited**  
U.S. PATENT DOCUMENTS
- 3,060,442 A \* 10/1962 Tomek ..... B25C 3/008  
81/44
- 3,682,213 A \* 8/1972 Litz ..... B25C 3/008  
81/44
- D260,727 S \* 9/1981 West ..... D8/395
- 4,422,489 A \* 12/1983 Ross ..... B25C 3/008  
81/44
- 4,631,985 A \* 12/1986 Roberts ..... B25B 9/02  
81/44

- 5,321,996 A \* 6/1994 Wei ..... B25C 3/008  
81/44
- 5,375,488 A \* 12/1994 Baitner ..... B25C 3/008  
294/99.2
- D382,782 S \* 8/1997 Harrah ..... D8/16
- 5,933,894 A \* 8/1999 Bates ..... B25F 1/00  
7/164
- 5,996,443 A \* 12/1999 Gold ..... B25C 3/008  
81/44
- D464,544 S \* 10/2002 Motley ..... D8/14
- D596,008 S \* 7/2009 Aiyar ..... D8/71
- 2006/0101948 A1 \* 5/2006 Meitzler ..... B25C 3/008  
81/44

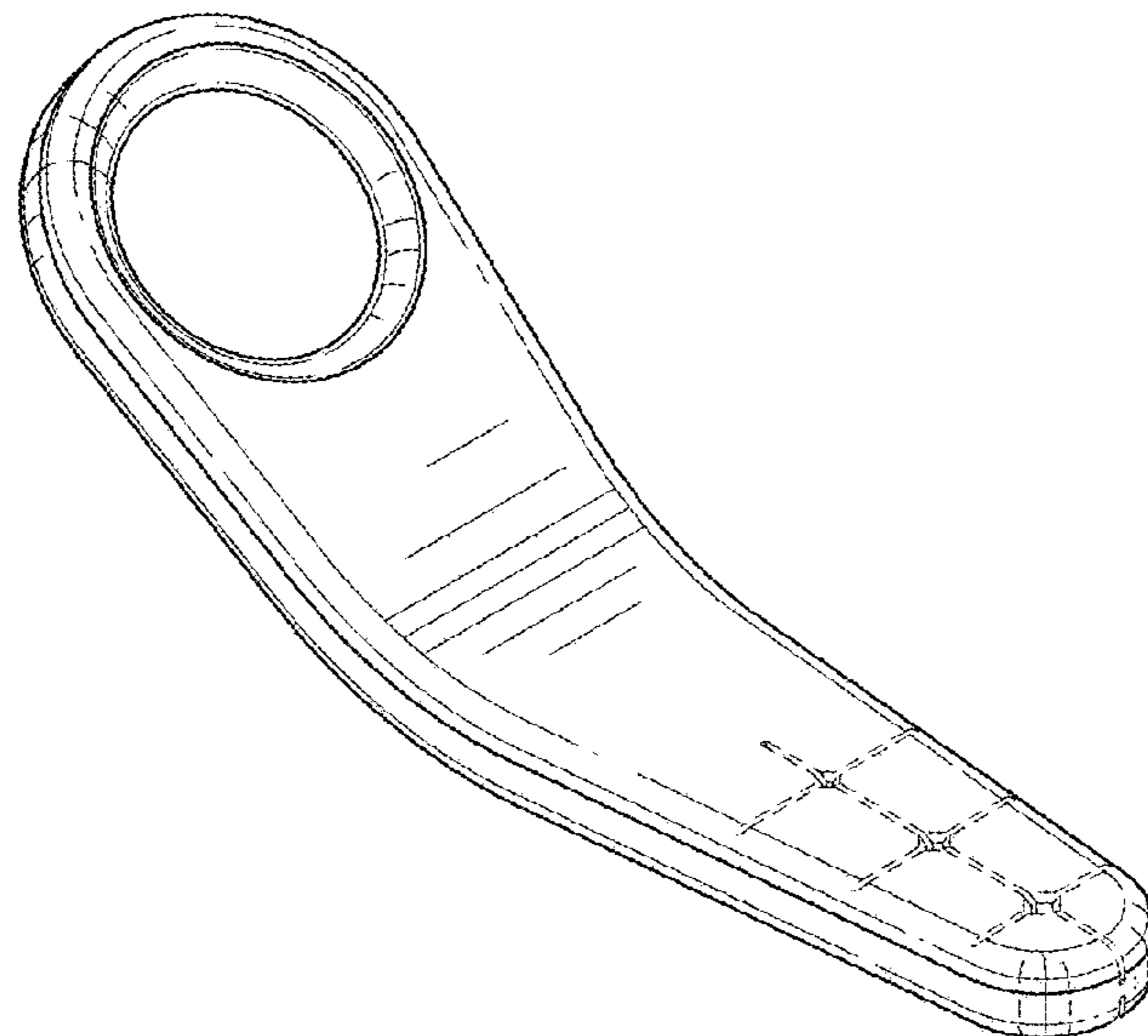
\* cited by examiner

*Primary Examiner* — Philip S Hyder  
(74) *Attorney, Agent, or Firm* — Leason Ellis LLP

(57) **CLAIM**  
We claim the ornamental design for a nail positioner, as shown and described.

**DESCRIPTION**  
FIG. 1 is a top, front, left perspective view of an embodiment of the claimed design;  
FIG. 2 is a bottom, front, left perspective view thereof;  
FIG. 3 is a front elevation view thereof;  
FIG. 4 is a top plan view thereof;  
FIG. 5 is a bottom plan view thereof;  
FIG. 6 is a rear elevation view thereof;  
FIG. 7 is a left side elevation view thereof; and,  
FIG. 8 is a right side elevation view thereof.  
The broken lines shown in the drawings illustrate portions of the nail positioner in which the design is embodied that form no part of claimed design.

**1 Claim, 3 Drawing Sheets**



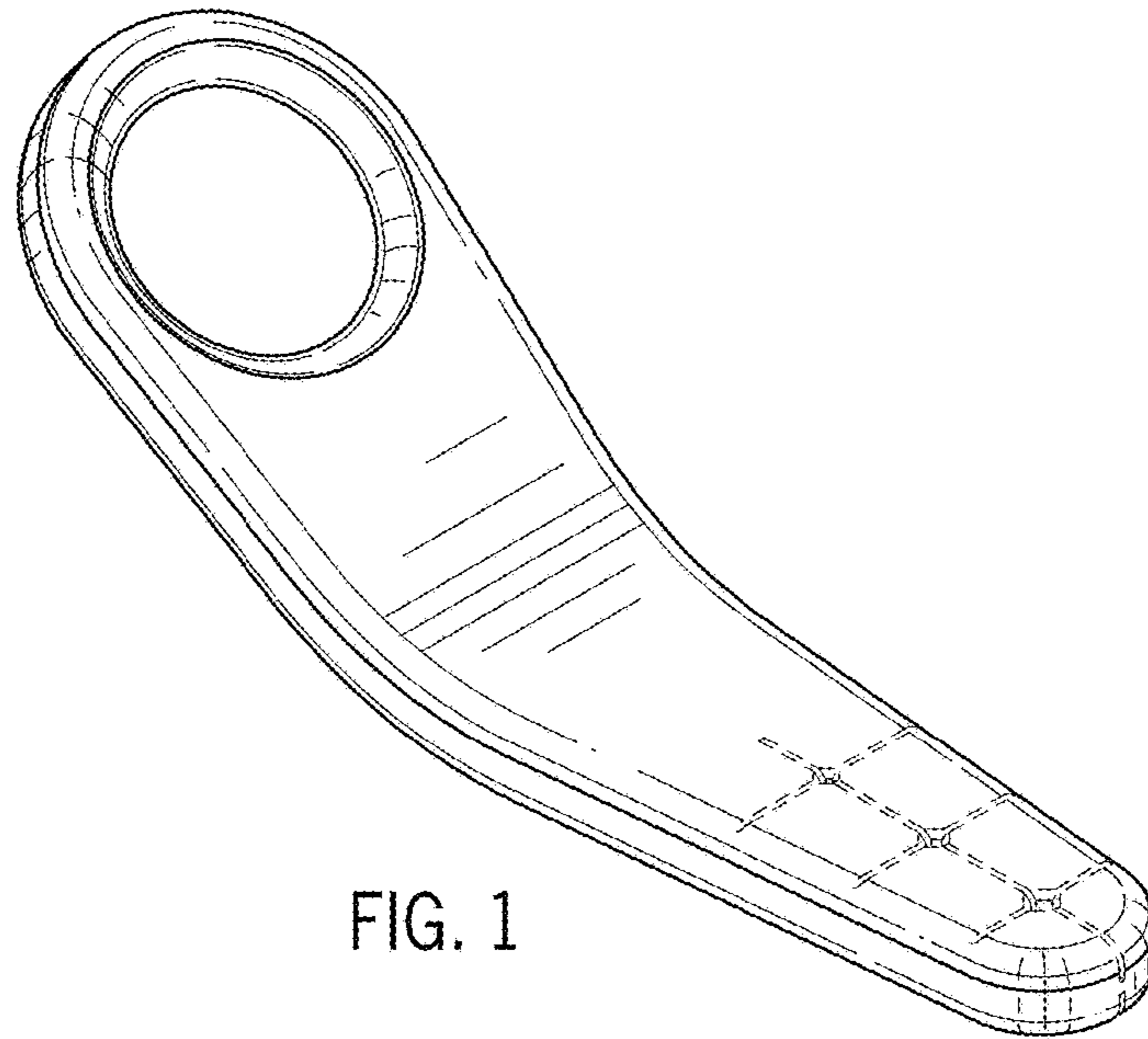


FIG. 1

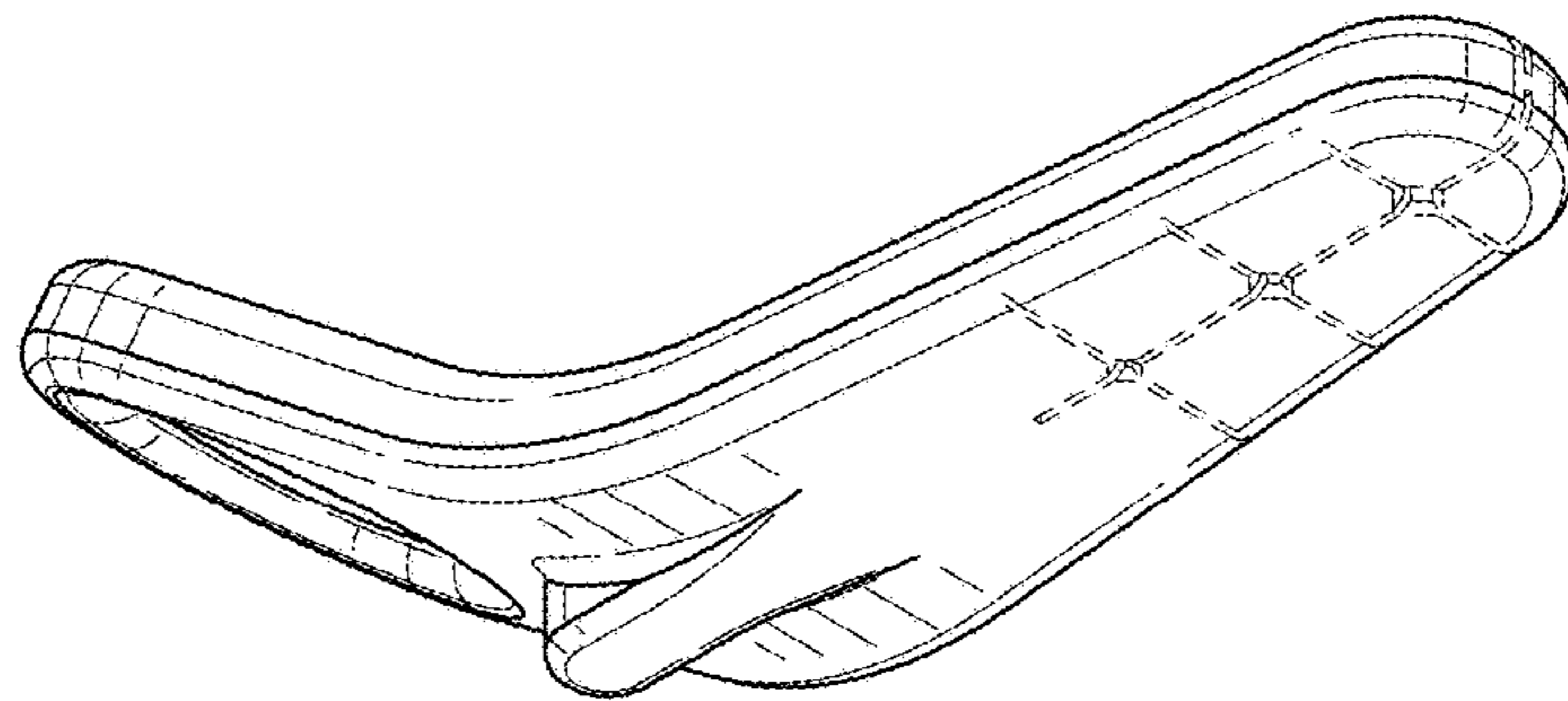


FIG. 2

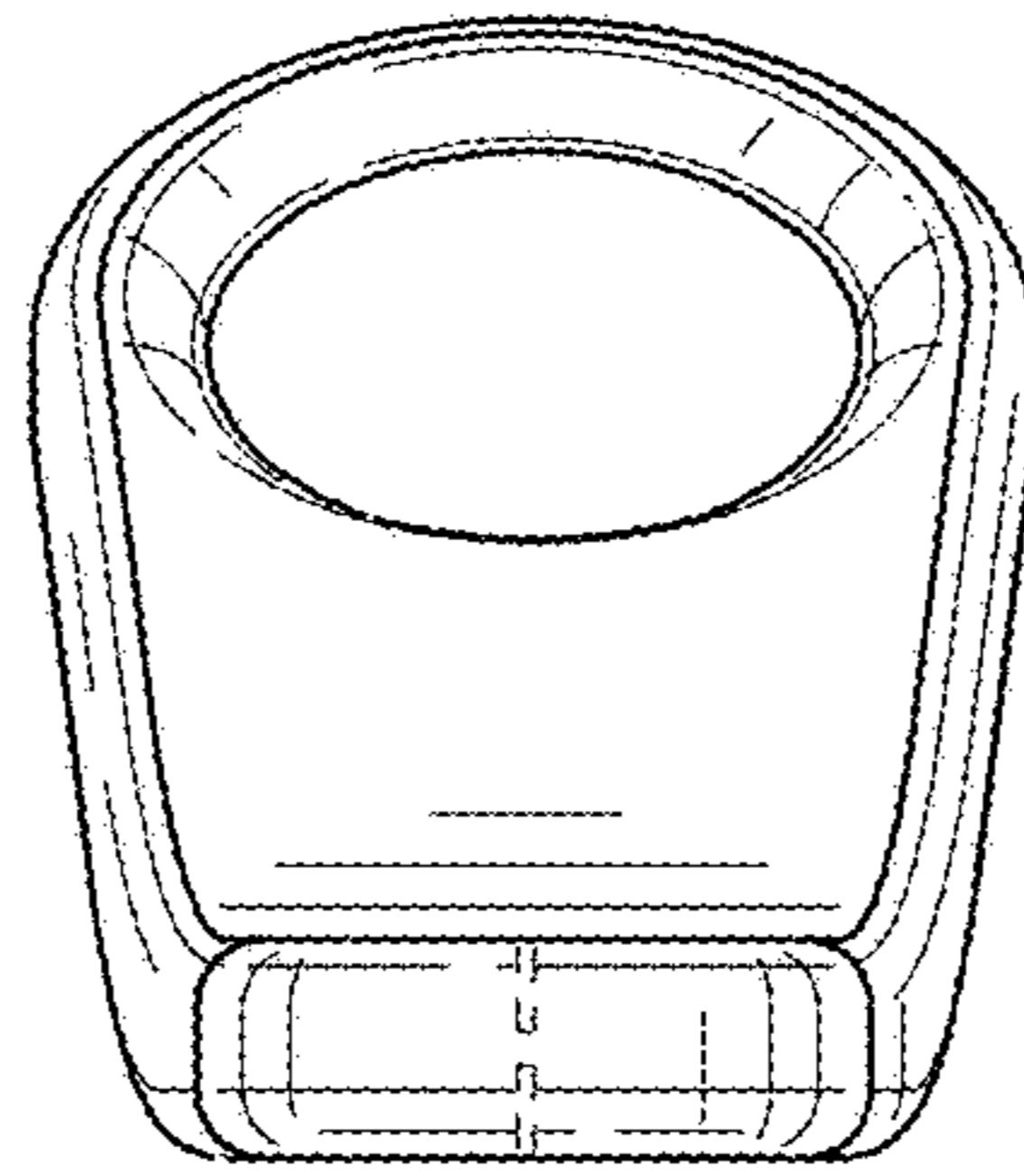


FIG. 3

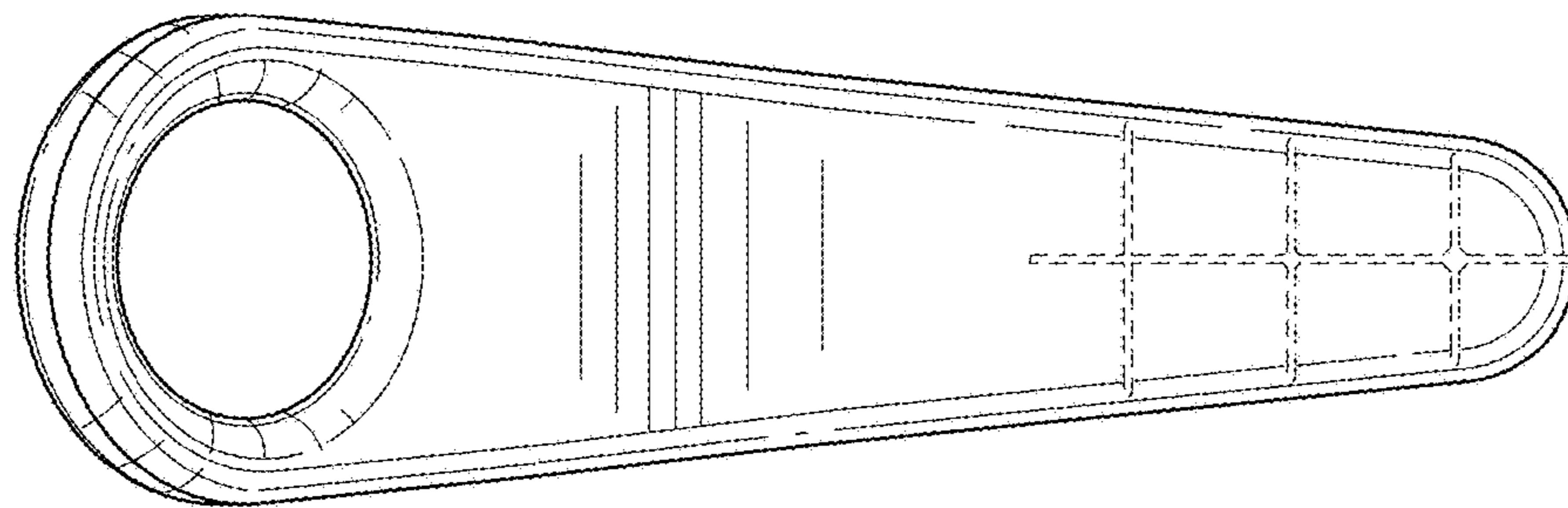


FIG. 4

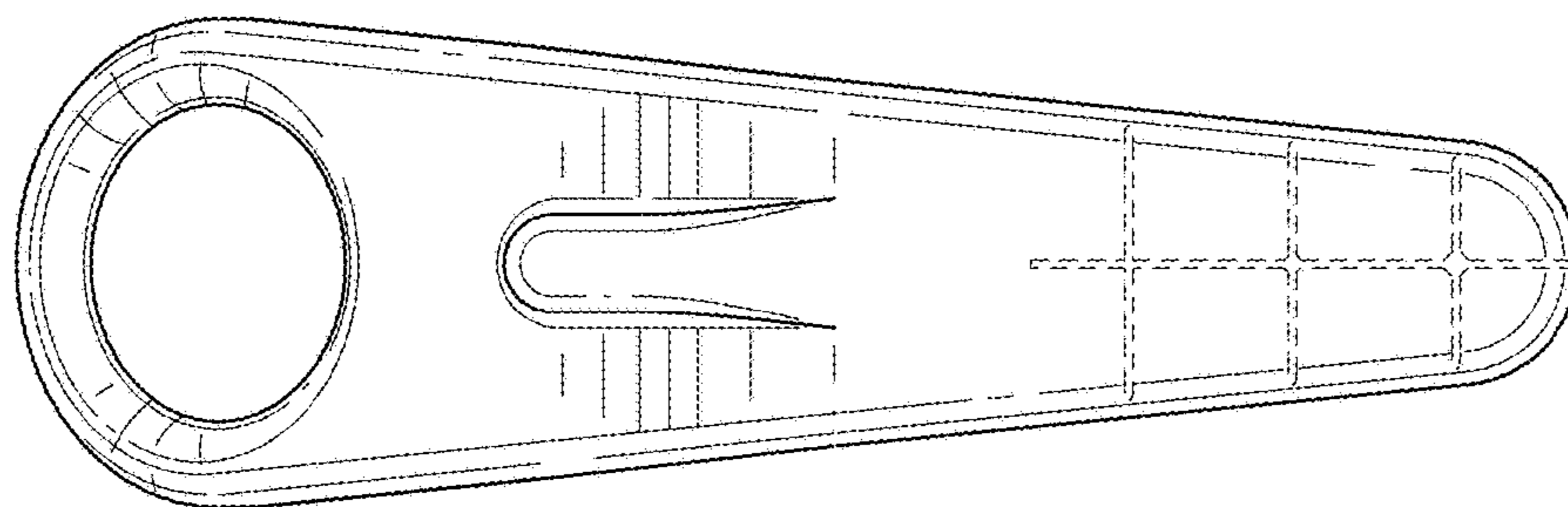


FIG. 5

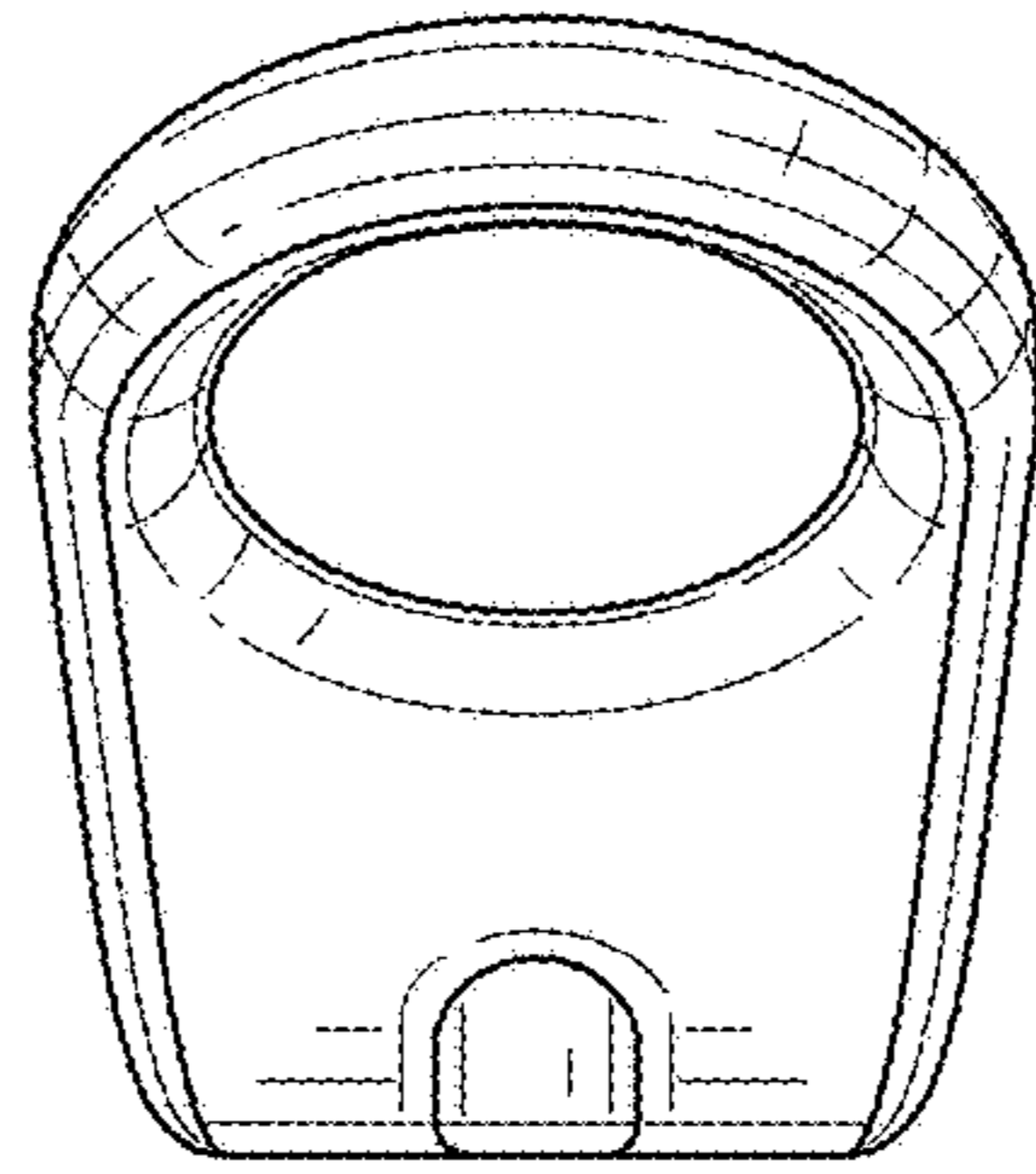


FIG. 6

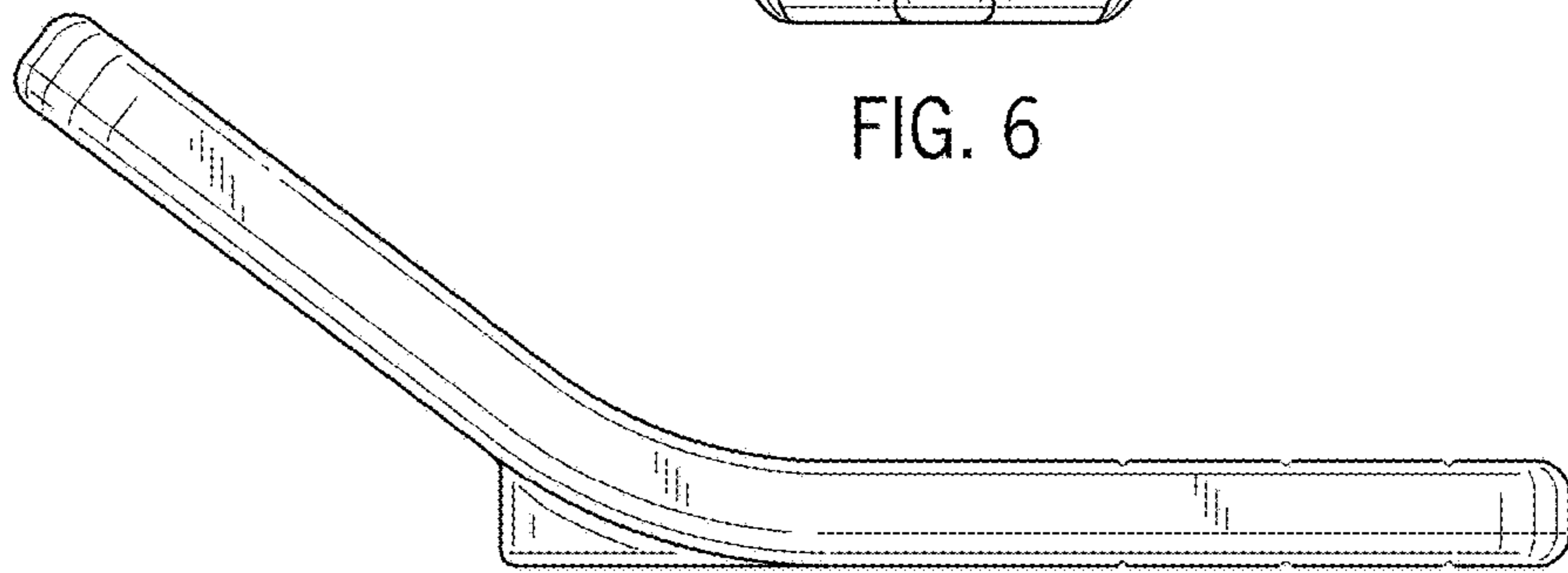


FIG. 7

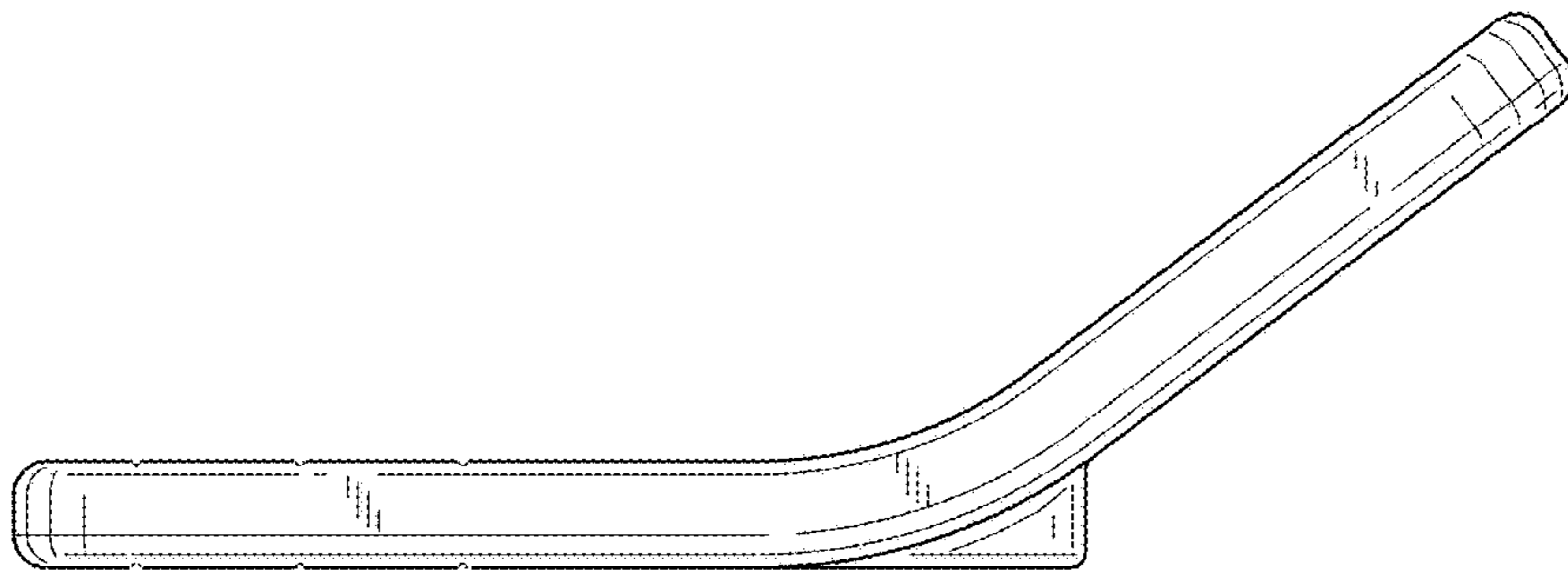


FIG. 8