

US00D864679S

(12) **United States Design Patent** (10) **Patent No.:** **US D864,679 S**
Goodwin et al. (45) **Date of Patent:** **** Oct. 29, 2019**

(54) **APPLICATOR**

CPC B05B 7/2421; B05B 9/01; B05B 1/00;
E03C 1/046; A01G 25/023

(71) Applicant: **OMS Investments, Inc.**, Los Angeles, CA (US)

See application file for complete search history.

(72) Inventors: **Randy M. Goodwin**, Grove City, OH (US); **Paul Havlovitz**, Dublin, OH (US); **Ryan R. Berger**, Columbus, OH (US); **Paul Hsu**, Lewis Center, OH (US); **Michael T. Kopczewski**, Grove City, OH (US); **Timothy Michael Martin**, Westerville, OH (US); **Jay F. Perkins**, Pickerington, OH (US)

(56) **References Cited**

U.S. PATENT DOCUMENTS

(73) Assignee: **OMS Investments, Inc.**, Los Angeles, CA (US)

241,307 A	5/1881	Corwin
260,829 A	7/1882	Bradley
337,268 A	3/1886	Keedy
557,987 A	4/1896	Frank
813,254 A	2/1906	Sweeney
1,264,503 A	4/1918	Griffin
1,456,408 A	5/1923	Scherer
1,521,831 A	1/1925	Olvawitsz
1,544,503 A	6/1925	Wayne
1,595,231 A	8/1926	Dryer
1,631,951 A	6/1927	McAnsh
1,912,759 A	6/1933	Clark
1,982,094 A	11/1934	Gessler
2,006,437 A	7/1935	Burgess et al.
2,050,522 A	8/1936	Evans et al.
2,135,665 A	11/1938	Hoban
2,246,211 A	6/1941	Kilich
2,248,701 A	7/1941	Fowler
2,293,390 A	8/1942	Hengesbach
2,348,205 A	5/1944	Chater
2,388,445 A	11/1945	Stewart
2,416,719 A	3/1947	Stockdale
2,460,545 A	2/1949	Spreng
2,485,723 A	10/1949	Fitzgerald
2,536,361 A	1/1951	Flanders
2,580,629 A	1/1952	Wenzel
2,599,678 A	6/1952	Walker
2,603,388 A	7/1952	Bryant
2,647,798 A	8/1953	Ballard
2,673,664 A	3/1954	Boysen
2,711,928 A	6/1955	Randa
2,754,152 A	7/1956	Gilmour
2,760,820 A	8/1956	Cirese
2,788,244 A	4/1957	Gilmour
2,788,245 A	4/1957	Gilmour
2,951,645 A	9/1960	Price et al.
2,961,335 A	11/1960	Shepard
2,981,284 A	4/1961	Putnam
2,991,939 A	7/1961	Packard
3,088,679 A	5/1963	Ford
3,104,823 A	9/1963	Hayes
3,123,253 A	3/1964	Lambton
3,140,018 A	7/1964	Miller
D200,960 S	4/1965	Beinert
3,181,797 A	5/1965	Hayes

(**) Term: **15 Years**

(21) Appl. No.: **29/674,494**

(22) Filed: **Dec. 21, 2018**

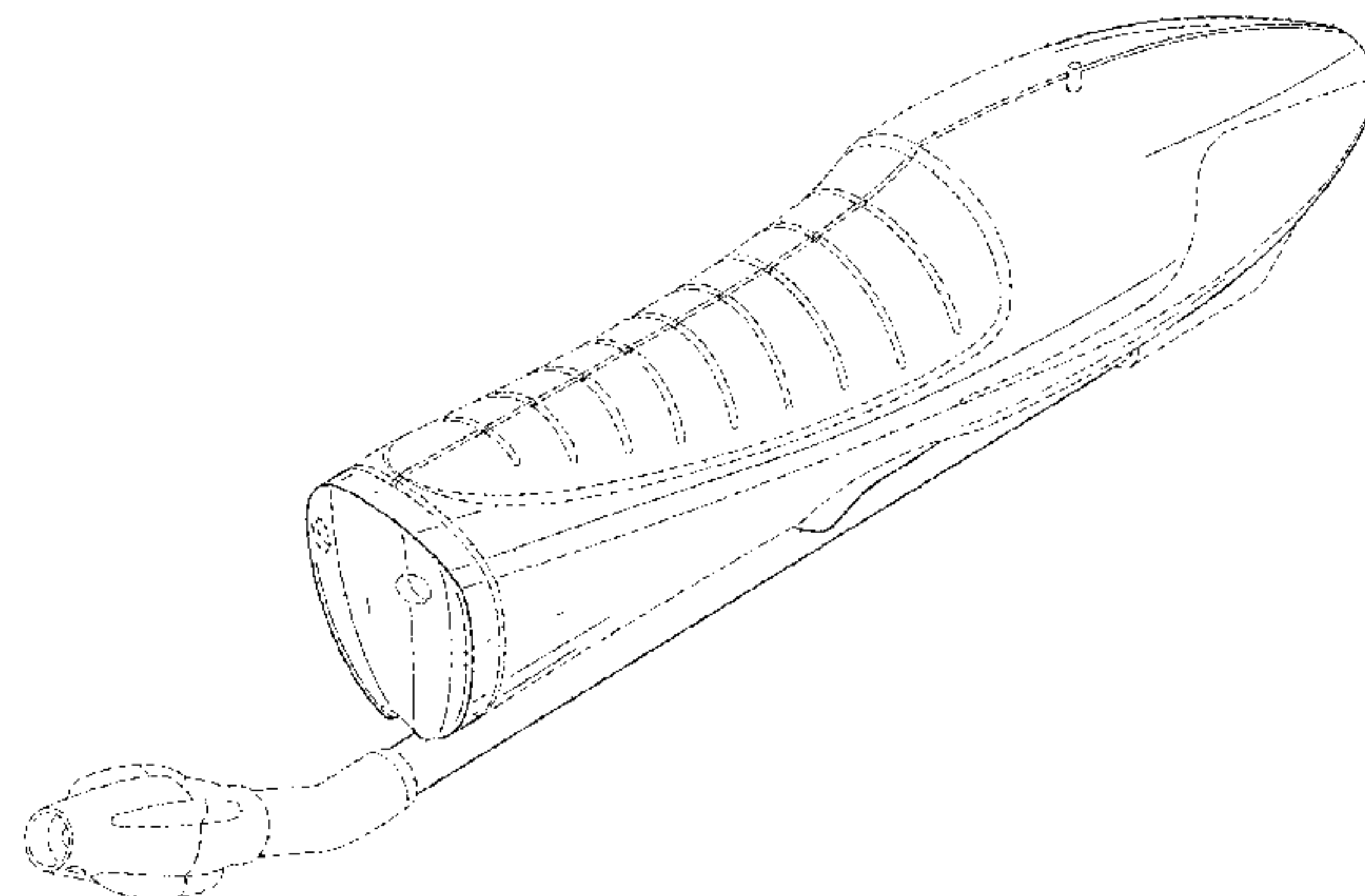
Related U.S. Application Data

(63) Continuation of application No. 29/612,989, filed on Aug. 7, 2017, now Pat. No. Des. 852,593, which is a continuation of application No. 29/591,145, filed on Jan. 17, 2017, now Pat. No. Des. 797,529, which is a continuation of application No. 29/532,941, filed on Jul. 13, 2015, now Pat. No. Des. 779,898, which is a continuation of application No. 29/475,913, filed on Dec. 9, 2013, now Pat. No. Des. 736,577, which is a continuation of application No. 29/433,244, filed on Sep. 27, 2012, now abandoned, which is a continuation of application No. 29/386,483, filed on Mar. 1, 2011, now Pat. No. Des. 670,982.

(51) **LOC (12) Cl.** **08-01**

(52) **U.S. Cl.**
USPC **D8/2**

(58) **Field of Classification Search**
USPC D8/2; D23/224, 225; 239/302, 308, 316, 239/310, 318, 525, 542, 602



US D864,679 S

Page 2

3,185,358 A	5/1965	Marler	5,413,280 A	5/1995	Taylor
3,207,443 A	9/1965	Gilmour	5,469,993 A	11/1995	Hauf et al.
3,233,783 A	2/1966	Thornton	5,484,106 A	1/1996	Gilmond
3,253,788 A	5/1966	McHugh et al.	5,499,766 A	3/1996	Foster et al.
3,254,844 A	6/1966	Blasnik et al.	5,522,547 A	6/1996	Dobbs et al.
3,255,924 A	6/1966	Modderno	5,526,985 A	6/1996	Martin
3,319,893 A	5/1967	Rodgers et al.	5,590,837 A	1/1997	Grogan
3,323,685 A	6/1967	Schultz	5,593,094 A	1/1997	Barriac et al.
3,372,846 A	3/1968	Berkus	5,628,461 A	5/1997	Foster et al.
3,381,899 A	5/1968	Forsman	5,641,125 A	6/1997	Martin et al.
3,401,840 A	9/1968	McConnell et al.	5,673,824 A	10/1997	Evans
3,443,726 A	5/1969	Muller et al.	5,678,768 A	10/1997	Gager et al.
3,445,067 A	5/1969	Sheldall	5,685,487 A	11/1997	Ellis
3,447,753 A	6/1969	Proctor et al.	5,711,251 A	1/1998	Green et al.
3,467,314 A	9/1969	Grubb	5,727,736 A	3/1998	Tryon
3,499,606 A	3/1970	Smith	5,738,282 A	4/1998	Grogan
3,632,046 A	1/1972	Hengensbach	5,755,384 A	5/1998	Foster et al.
3,655,099 A	4/1972	Hazard	5,864,895 A	2/1999	Ota et al.
3,764,074 A	10/1973	James	5,868,321 A	2/1999	Haruch
3,770,205 A	11/1973	Proctor et al.	5,878,959 A	3/1999	Smolen, Jr. et al.
3,800,786 A	4/1974	Kovach	5,881,955 A	3/1999	Styne
3,833,177 A	9/1974	Pasley et al.	5,890,628 A	4/1999	Simpson et al.
D234,952 S	4/1975	Rouquie	5,918,621 A	7/1999	Gilmore
D235,063 S	5/1975	Gunzel, Jr. et al.	5,954,272 A	9/1999	Liao
3,940,069 A	2/1976	Gunzel, Jr. et al.	5,964,415 A	10/1999	Hadar
3,964,689 A	6/1976	Horvath	5,975,164 A	11/1999	Whaley et al.
3,993,245 A	11/1976	Smith	5,996,858 A	12/1999	Tapp et al.
4,027,822 A	6/1977	Usher	D421,204 S	2/2000	McBride
4,058,259 A	11/1977	Schantz	6,126,090 A	10/2000	Wadsworth et al.
D251,793 S	5/1979	DeGelder	6,131,774 A	10/2000	Thomas et al.
4,153,184 A	5/1979	Parish et al.	6,170,706 B1	1/2001	Havlovitz
4,250,911 A	2/1981	Kratz	6,186,366 B1	2/2001	Good et al.
4,291,814 A	9/1981	Conn	6,213,410 B1	4/2001	Spitznagel
4,349,157 A	9/1982	Beiswenger et al.	6,223,999 B1	5/2001	Lemelshtich et al.
4,382,552 A	5/1983	Lubsen et al.	6,279,773 B1	8/2001	Kiyota
4,396,356 A	8/1983	Thompson	D447,791 S	9/2001	Robidoux
4,418,869 A	12/1983	Healy	D448,450 S	9/2001	Lawson et al.
4,442,977 A	4/1984	Beiswenger et al.	6,293,294 B1	9/2001	Loeb et al.
4,491,254 A	1/1985	Viets et al.	6,390,335 B1	5/2002	Lawson et al.
4,527,740 A	7/1985	Gunzel, Jr. et al.	D459,438 S	6/2002	Knowles
D281,899 S	12/1985	Gunzel, Jr. et al.	6,402,053 B1	6/2002	Chih
D281,900 S	12/1985	Gunzel, Jr. et al.	6,415,956 B1	7/2002	Havlovitz
4,618,099 A	10/1986	Nagao et al.	6,419,166 B1	7/2002	Brzezinski et al.
4,624,413 A	11/1986	Corsette	6,422,485 B1	7/2002	Hsu
4,651,930 A	3/1987	Magaha, Jr.	6,453,953 B1	9/2002	Adriansens et al.
4,664,301 A	5/1987	Hoyt	6,511,001 B1	1/2003	Huang
4,706,888 A	11/1987	Dobbs	6,536,684 B1	3/2003	Wei
4,785,850 A	11/1988	Sanchez	6,546,949 B1	4/2003	Gilmore
D298,848 S	12/1988	Chow et al.	D476,558 S	7/2003	Cho et al.
4,811,870 A	3/1989	Bianco	6,595,437 B1	7/2003	Lawson et al.
4,826,085 A	5/1989	Chow et al.	6,604,546 B1	8/2003	Gilmore
4,878,619 A	11/1989	Norman	6,609,733 B2	8/2003	Gilmore
4,890,340 A	1/1990	Lovitt	6,612,506 B1	9/2003	Huang
4,890,792 A	1/1990	Martin et al.	6,712,292 B1	3/2004	Gosis et al.
4,901,923 A	2/1990	McRoskey et al.	6,715,698 B2	4/2004	Foster et al.
4,901,976 A	2/1990	Smith	6,726,123 B2	4/2004	Wang
D306,961 S	4/1990	Emms	D489,970 S	5/2004	Nelson et al.
D307,628 S	5/1990	Ballu	6,761,324 B2	7/2004	Chang
4,925,105 A	5/1990	Lin	6,851,632 B2	2/2005	Ferrazza et al.
4,982,896 A	1/1991	Crow	6,896,203 B1	5/2005	Restive
D322,838 S	12/1991	Hagedorn	D507,493 S	7/2005	Nelson et al.
5,069,389 A	12/1991	Bitsakos	6,976,640 B2	12/2005	Chen
5,097,540 A	3/1992	Lovitt	6,976,644 B2	12/2005	Troudt
5,110,231 A	5/1992	Monteith et al.	6,978,946 B2	12/2005	Sweeton
D327,528 S	6/1992	Sears et al.	6,988,675 B2	1/2006	Hubmann et al.
5,143,294 A	9/1992	Lintvedt	7,017,833 B2	3/2006	Foster
5,203,468 A	4/1993	Hsu	7,021,571 B1	4/2006	Lawson et al.
5,205,424 A	4/1993	Gaspar	D524,906 S	7/2006	Birrenkott et al.
5,213,264 A	5/1993	Styne	7,083,125 B2	8/2006	Westphal et al.
5,213,265 A	5/1993	Englhard et al.	7,086,610 B2	8/2006	Hubmann et al.
5,263,646 A	11/1993	McCaughey et al.	D529,575 S	10/2006	Birrenkott et al.
5,277,343 A	1/1994	Parsonage	7,156,324 B2	1/2007	Birrenkott et al.
5,279,461 A	1/1994	Darroch	7,168,629 B2	1/2007	Timmes et al.
5,332,158 A	7/1994	Styne et al.	D537,359 S	2/2007	Butler et al.
5,335,858 A	8/1994	Dunning et al.	7,182,280 B2	2/2007	Ye et al.
5,346,081 A	9/1994	Lin	D539,142 S	3/2007	Butler et al.
5,356,076 A	10/1994	Bishop	D542,373 S	5/2007	Cooper
5,375,769 A	12/1994	Schultz	D559,682 S	1/2008	Meeker et al.
5,388,712 A	2/1995	Brody	D561,301 S	2/2008	Troyer

7,337,989	B1	3/2008	Penner et al.
D569,478	S	5/2008	Cichy et al.
D575,601	S	8/2008	Ricketts
D582,272	S	12/2008	Cichy
D619,215	S	7/2010	Havlovitz et al.
7,837,132	B2	11/2010	Mazooji et al.
7,992,809	B1	8/2011	Barnett
8,003,121	B1	8/2011	Dingeldein et al.
D653,305	S	1/2012	Hudson et al.
D662,375	S	6/2012	Carozza
D670,982	S	11/2012	Goodwin et al.
D736,577	S	8/2015	Goodwin et al.
D779,898	S	2/2017	Goodwin et al.
D797,529	S	9/2017	Goodwin et al.
10,022,742	B2	7/2018	Goodwin et al.
2004/0007633	A1	1/2004	Simmons
2004/0050959	A1	3/2004	Mazooji et al.
2004/0222246	A1	11/2004	Bates et al.
2005/0145270	A1	7/2005	Ray
2005/0173452	A1	8/2005	Brown et al.
2006/0013709	A1	1/2006	Hudson et al.
2006/0255183	A1	11/2006	Burdall et al.
2007/0125878	A1	6/2007	Hahn et al.
2007/0170285	A1	7/2007	Schouten
2007/0228187	A1	10/2007	Nelson et al.
2008/0011882	A1	1/2008	Foster et al.
2008/0061167	A1	3/2008	Gansebom
2010/0044454	A1	2/2010	Karazniewicz
2010/0163646	A1	7/2010	Havlovitz et al.
2010/0170964	A1	7/2010	Fedorov
2012/0223160	A1	9/2012	Goodwin et al.
2013/0068857	A1	3/2013	Hite
2018/0085770	A1	3/2018	Goodwin et al.

FOREIGN PATENT DOCUMENTS

EP	0591601	A1	4/1994
EP	0677401	A2	10/1995
EP	0798158	A2	10/1997
EP	1022060	A2	7/2000
EP	1305055	A1	5/2003
EP	1602199	B1	9/2009
FR	2708569	A1	2/1995
GB	1319788	A	6/1973
GB	1386186	A	3/1975
GB	2018626	A	10/1979
GB	2286109	A	8/1995
WO	0209783	A1	2/2002
WO	2012118949	A2	9/2012

OTHER PUBLICATIONS

Air Wick Odor Stop Product Promotion retrieved from the Internet at www.winwithairwick.co.nz/airwick_entry_form.pdf, 2006.
 International Search Report for International Patent Application No. PCT/US2006/026119, dated Jan. 5, 2007.
 Extended European Search Report for European Application No. 06774502.6, dated Jul. 23, 2009.
 International Search Report for International Patent Application No. PCT/US2009/069396, dated Mar. 1, 2010.
 International Search Report and Written Opinion for International Patent Application No. PCT/US2012/027242, dated Jun. 6, 2012.
 Extended European Search Report for European Application No. 12752589.7, dated Oct. 14, 2014.
 Search Report for Chinese Application No. 201280021146.3, dated Jul. 3, 2015.
 Supplementary Search Report for Chinese Application No. 201280021146.3, dated Jul. 13, 2016.

Primary Examiner — Sheryl Lane
 (74) *Attorney, Agent, or Firm* — Ulmer & Berne LLP

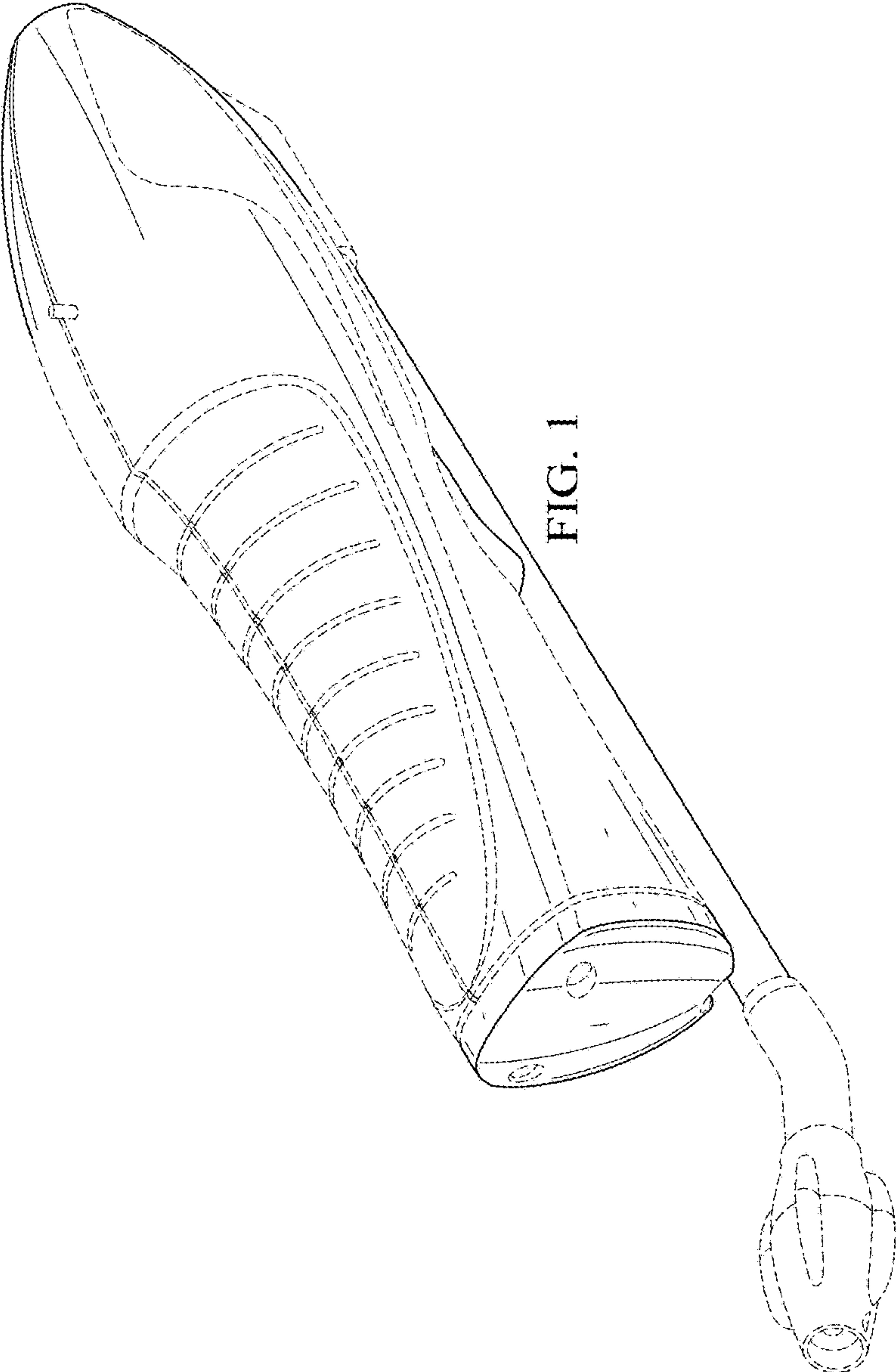
(57) **CLAIM**

The ornamental design for an applicator, as shown and described.

DESCRIPTION

FIG. 1 is a perspective view of an applicator;
 FIG. 2 is a front elevation view thereof;
 FIG. 3 is a rear elevation view thereof;
 FIG. 4 is a side elevation view thereof;
 FIG. 5 is an opposite side elevation view thereof;
 FIG. 6 is a top plan view thereof; and,
 FIG. 7 is a bottom plan view thereof.
 The broken line showings of the applicator are included for the purpose of illustrating portions of the article and form no part of the claimed design.

1 Claim, 6 Drawing Sheets



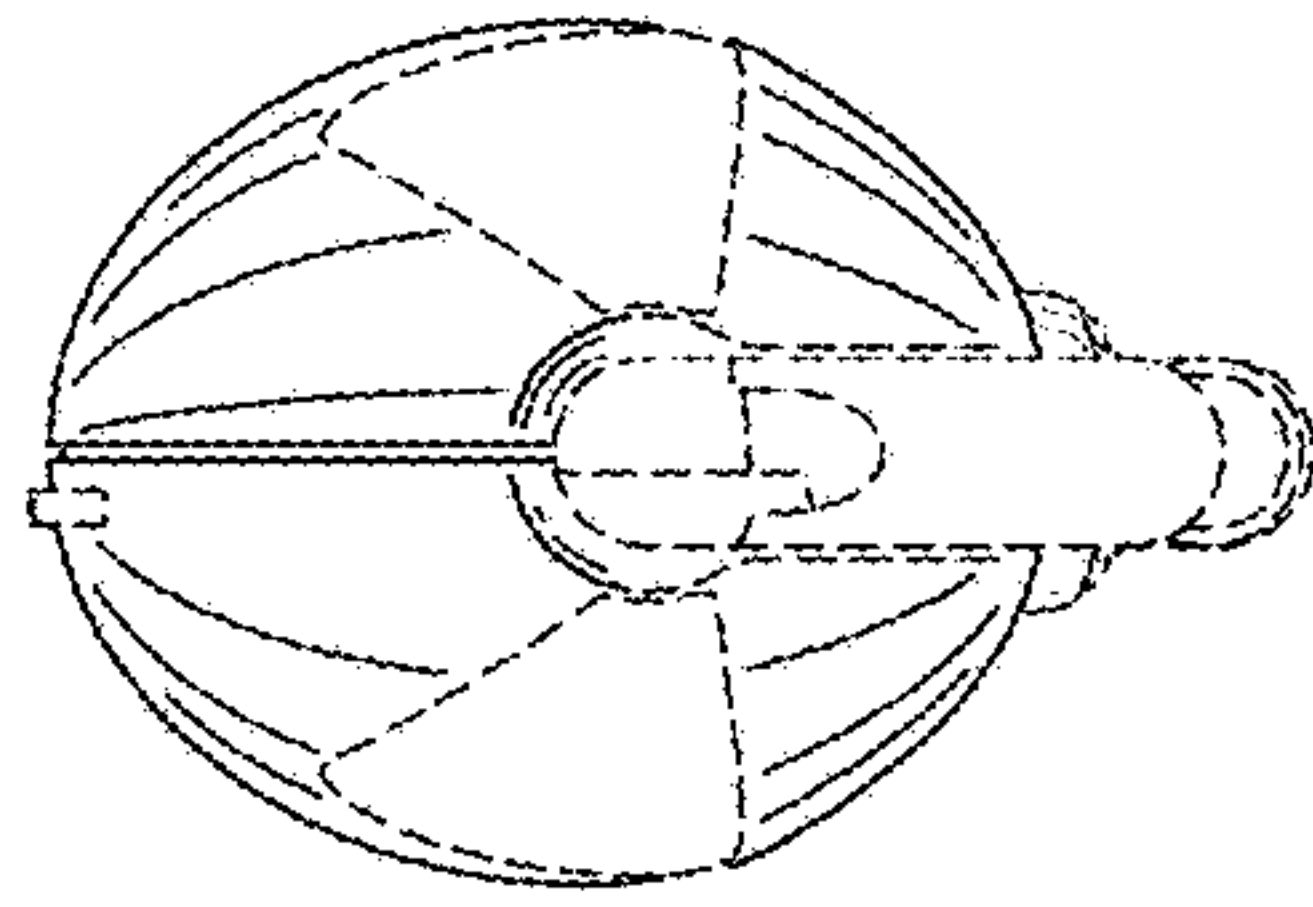


FIG. 3

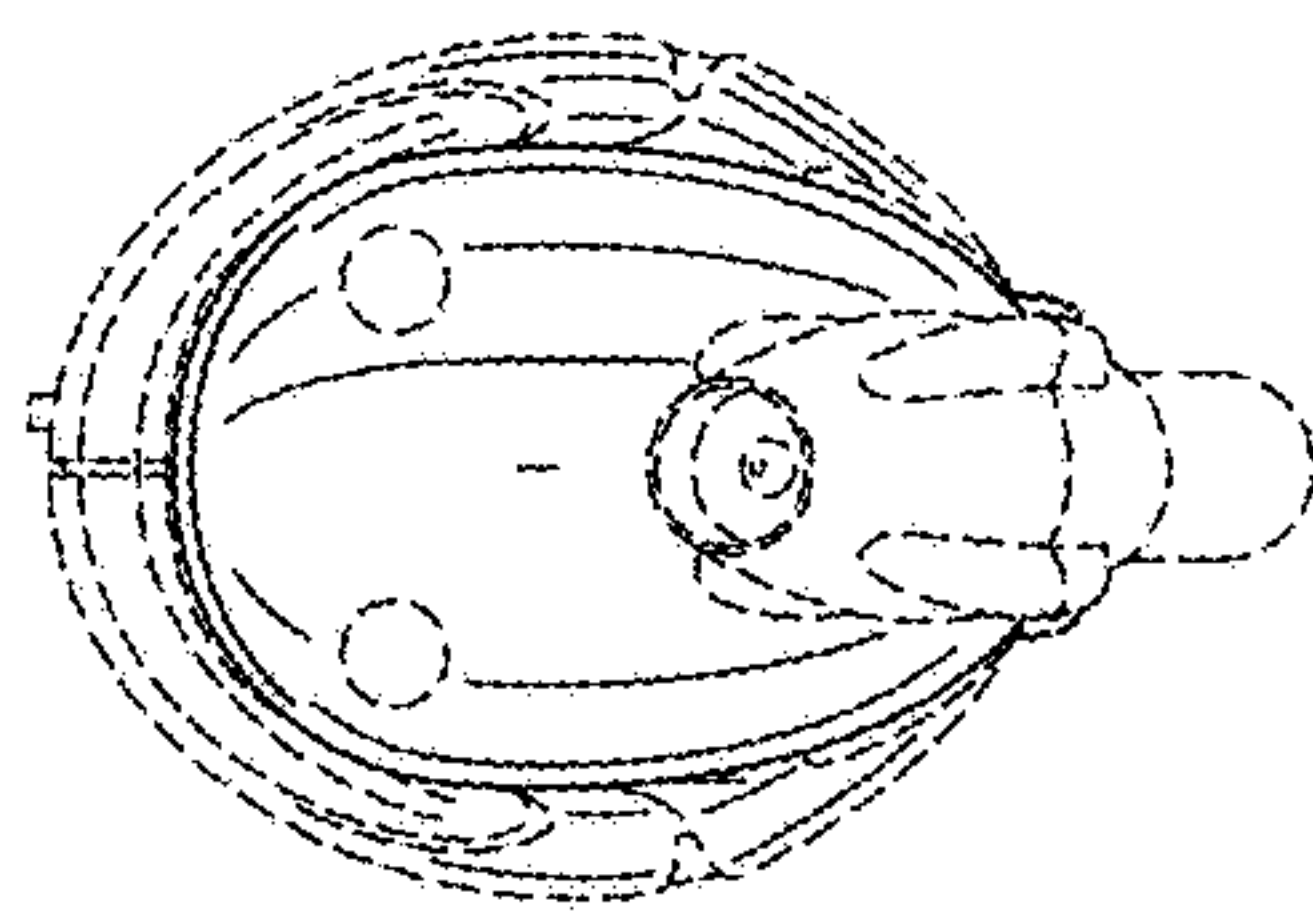


FIG. 2

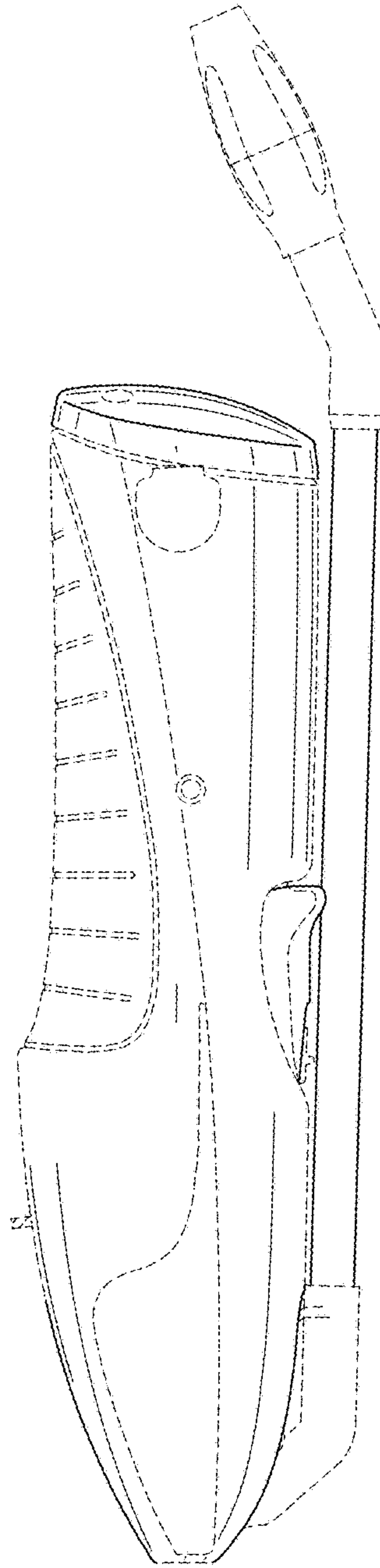


FIG. 4

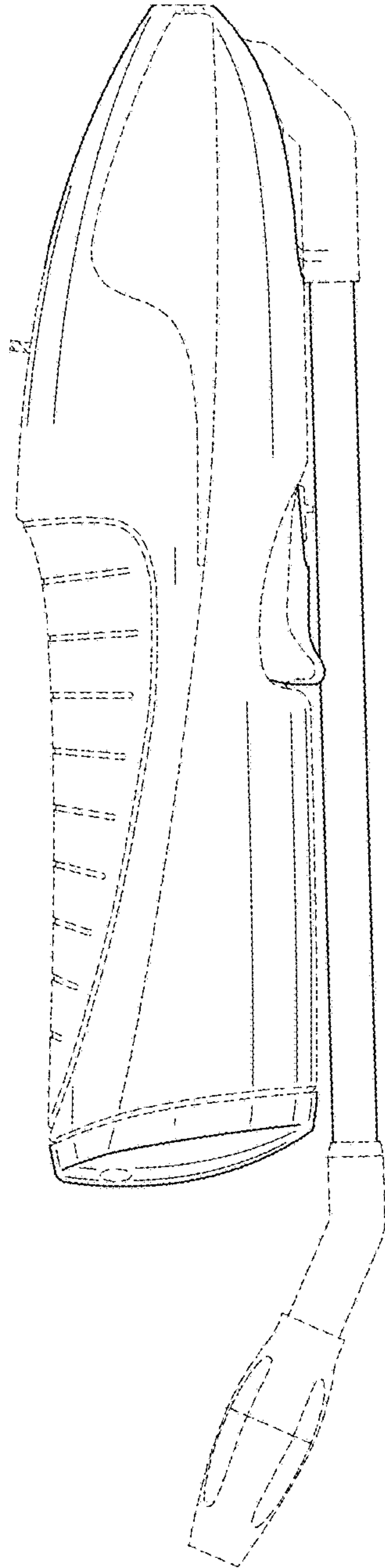


FIG. 5

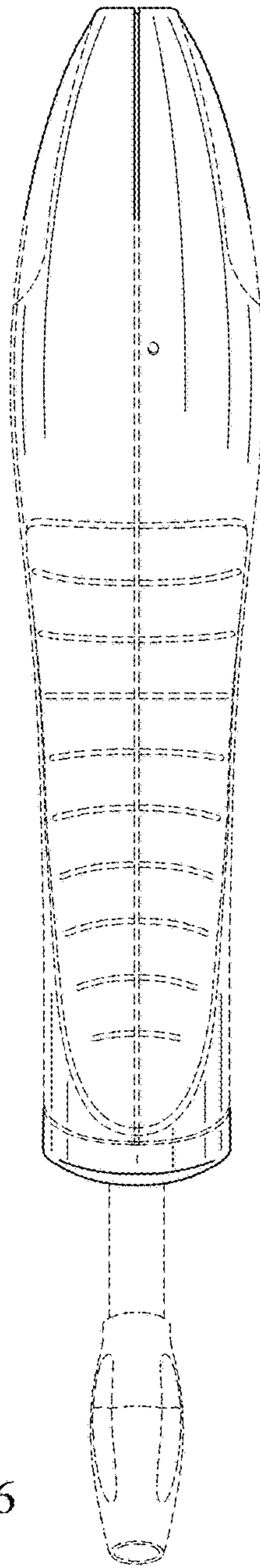


FIG. 6

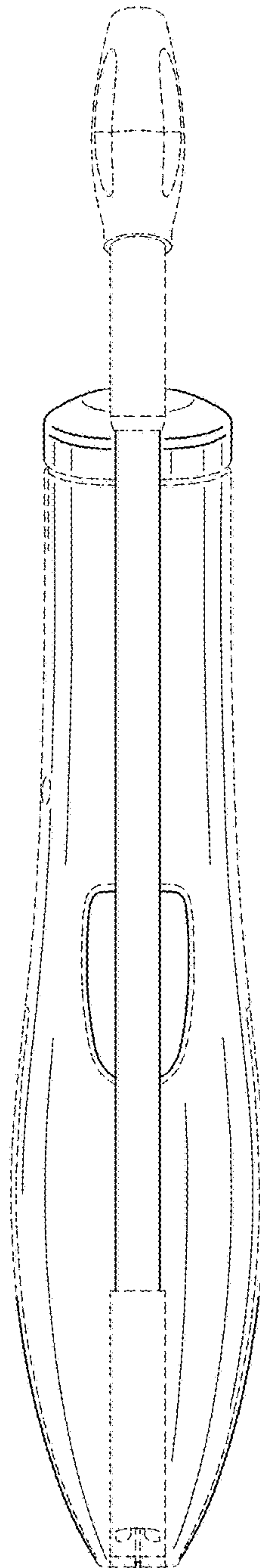


FIG. 7