



US00D864678S

(12) **United States Design Patent** (10) **Patent No.:** **US D864,678 S**
Bahler et al. (45) **Date of Patent:** **** Oct. 29, 2019**

(54) **STAKE**
(71) Applicant: **TOOLBRO INNOVATORS, LLC**,
Ellington, CT (US)
(72) Inventors: **Philip J. Bahler**, Ellington, CT (US);
Kent R. Bahler, Ellington, CT (US)
(73) Assignee: **TOOLBRO INNOVATORS, LLC**,
Ellington, CT (US)
(**) Term: **15 Years**
(21) Appl. No.: **29/632,005**
(22) Filed: **Jan. 4, 2018**
(51) **LOC (12) Cl.** **08-01**
(52) **U.S. Cl.**
USPC **D8/1**
(58) **Field of Classification Search**
USPC D8/1; D25/121; D21/840
CPC A01G 25/023; A01G 25/00; A01G 9/124;
E04H 15/62
See application file for complete search history.

3,456,660 A * 7/1969 Borchardt E04H 15/62
135/118
3,534,751 A * 10/1970 Peters E04H 15/62
135/118
D222,983 S * 2/1972 Simpson 135/118
D230,218 S * 1/1974 Freiling et al. D21/840
(Continued)

FOREIGN PATENT DOCUMENTS

CA 1038591 9/1978
FR 1201689 1/1960
GB 184586 8/1922

Primary Examiner — Sheryl Lane

(74) *Attorney, Agent, or Firm* — Ira S. Dorman

(57) **CLAIM**

The ornamental design for a stake, as shown and described.

DESCRIPTION

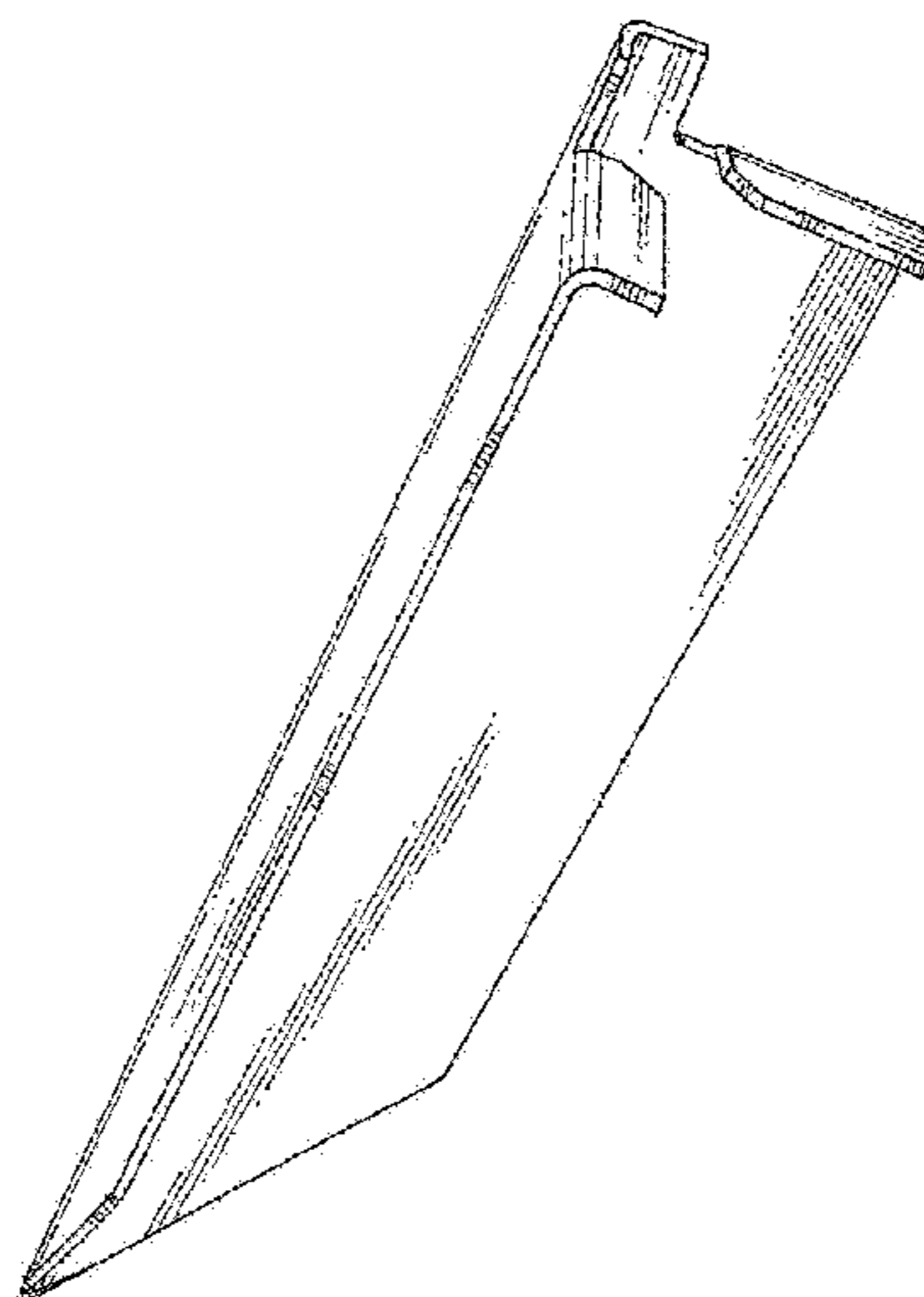
FIG. 1 is a perspective view of a static showing my new design;
FIG. 2 is a front elevational view, showing the exterior of the stake;
FIG. 3 is a back elevational view, showing the interior of the stake;
FIG. 4 is a side elevational view, showing the exterior of the stake; a view rotated 90 degrees, in a counter-clockwise direction about a longitudinal axis and referenced from above, being a mirror image thereof;
FIG. 5 is a side elevational view, showing the interior of the stake; a view rotated 90 degrees in a clockwise direction about a longitudinal axis and referenced from above, being a mirror image thereof;
FIG. 6 is an orthogonal elevational view of the stake; a view rotated 180 degrees about a longitudinal axis being a mirror image thereof;
FIG. 7 is a top view of the stake; and,
FIG. 8 is a bottom view thereof.

1 Claim, 4 Drawing Sheets

(56) **References Cited**

U.S. PATENT DOCUMENTS

412,766 A * 10/1889 Lounsberry E04H 12/2215
52/154
1,377,832 A * 5/1921 Hanner A01G 17/12
47/47
1,592,128 A * 7/1926 Steinbreder E04H 15/62
135/118
2,349,110 A * 5/1944 Potstada A01G 9/124
47/47
D164,994 S * 10/1951 Johannesen D21/840
2,783,767 A * 3/1957 Smolenski E04F 10/08
135/118
3,280,829 A * 10/1966 Glendenning E04H 15/62
135/118
D209,439 S * 11/1967 Diederich D21/840



(56)

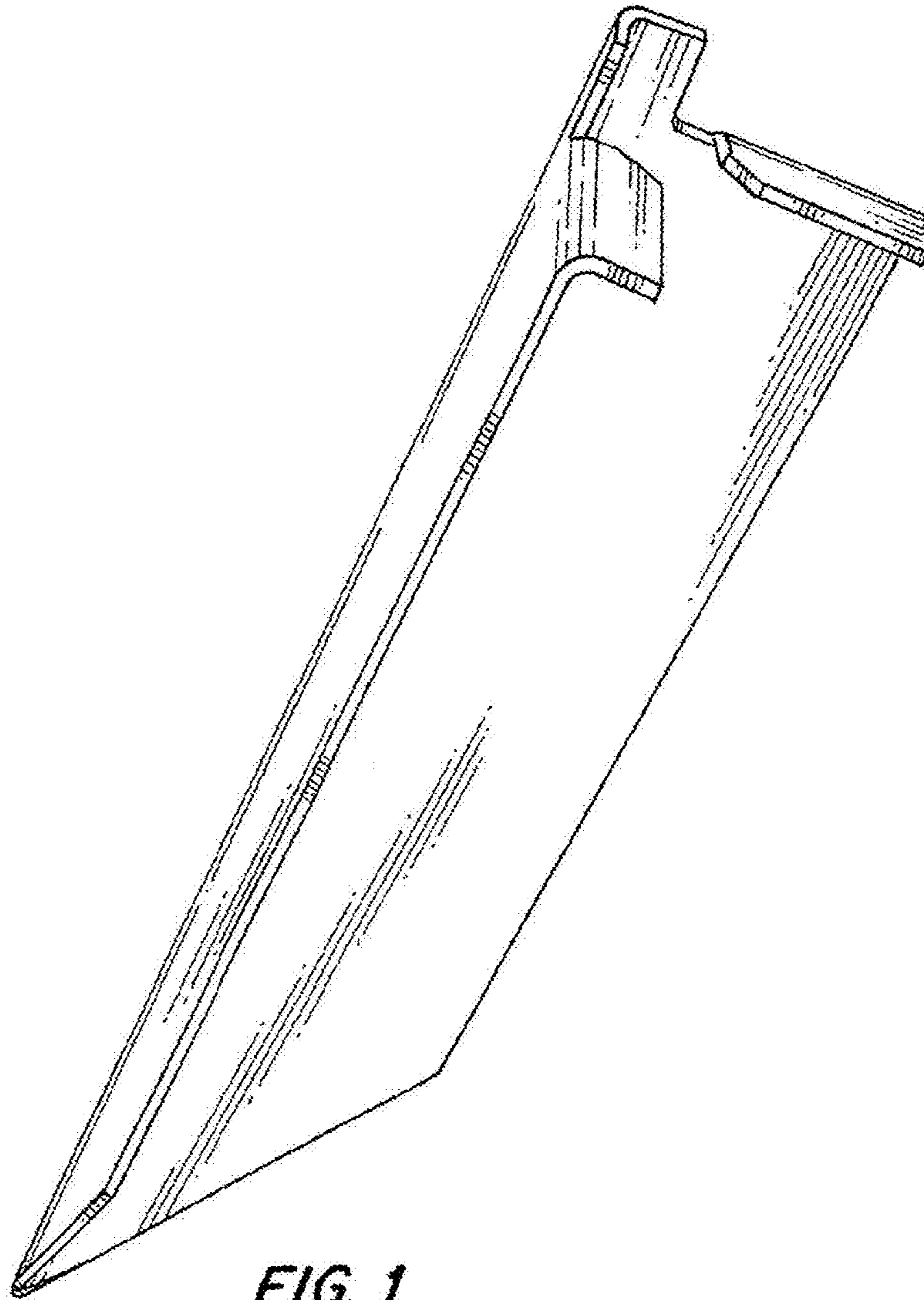
References Cited

U.S. PATENT DOCUMENTS

3,788,336 A * 1/1974 Steffes E04H 15/62
 135/118
 D243,509 S * 3/1977 Wheeler D8/1
 D248,919 S * 8/1978 Schmidt, Jr. D8/1
 4,135,668 A * 1/1979 Winkler B05B 15/622
 239/276
 4,167,885 A * 9/1979 Paskert F16B 15/06
 411/478
 4,195,809 A * 4/1980 Morrison E01C 23/01
 249/205
 4,258,523 A * 3/1981 Waugh A01G 17/14
 256/47
 4,619,440 A * 10/1986 Thevenin E04H 17/12
 256/47
 4,699,165 A * 10/1987 Barzana E04H 15/62
 135/118
 4,750,508 A 1/1988 Tatoian
 4,922,654 A * 5/1990 Hawke A01G 9/122
 248/174
 4,944,476 A * 7/1990 Olson A01G 25/00
 248/87
 D316,367 S * 4/1991 Olson D23/217
 D364,785 S * 12/1995 Archambeau D25/131
 D377,076 S * 12/1996 Adams D21/840
 D378,980 S * 4/1997 Thayer D21/840
 D380,569 S * 7/1997 Garber D21/840
 D412,586 S * 8/1999 Kenny D25/131

D415,018 S * 10/1999 Uhler D21/840
 D419,403 S * 1/2000 Halil, Jr. D8/1
 D424,960 S * 5/2000 Greene D10/109.1
 D426,147 S * 6/2000 Nichols D8/391
 D432,371 S * 10/2000 Ballard D8/1
 D438,435 S * 3/2001 Whyte D8/1
 D446,868 S * 8/2001 Schwartz D25/131
 6,336,599 B1 * 1/2002 Herr B05B 12/36
 239/522
 D457,039 S * 5/2002 Van Alstine D8/1
 D469,566 S * 1/2003 Gary F21V 21/0824
 D26/138
 D493,205 S * 7/2004 Combes D21/840
 D553,919 S * 10/2007 Gross D8/1
 D574,520 S * 8/2008 Taylor D25/121
 D582,732 S * 12/2008 Cox D8/1
 7,472,874 B2 * 1/2009 Gross E04H 12/2215
 135/118
 D600,823 S * 9/2009 Ratanasiriwilai D25/121
 D600,824 S * 9/2009 Ratanasiriwilai D25/121
 D600,825 S * 9/2009 Ratanasiriwilai D25/121
 D600,827 S * 9/2009 Ratanasiriwilai D25/121
 D605,002 S * 12/2009 Cox D8/1
 D616,113 S * 5/2010 Budzik D25/121
 8,038,082 B2 * 10/2011 Belford A01G 25/023
 239/273
 D658,259 S * 4/2012 Zhou D21/840
 D679,457 S * 4/2013 Chance D30/154
 D706,095 S * 6/2014 Evans D8/1
 9,689,176 B1 * 6/2017 Ovitt E04H 15/62

* cited by examiner



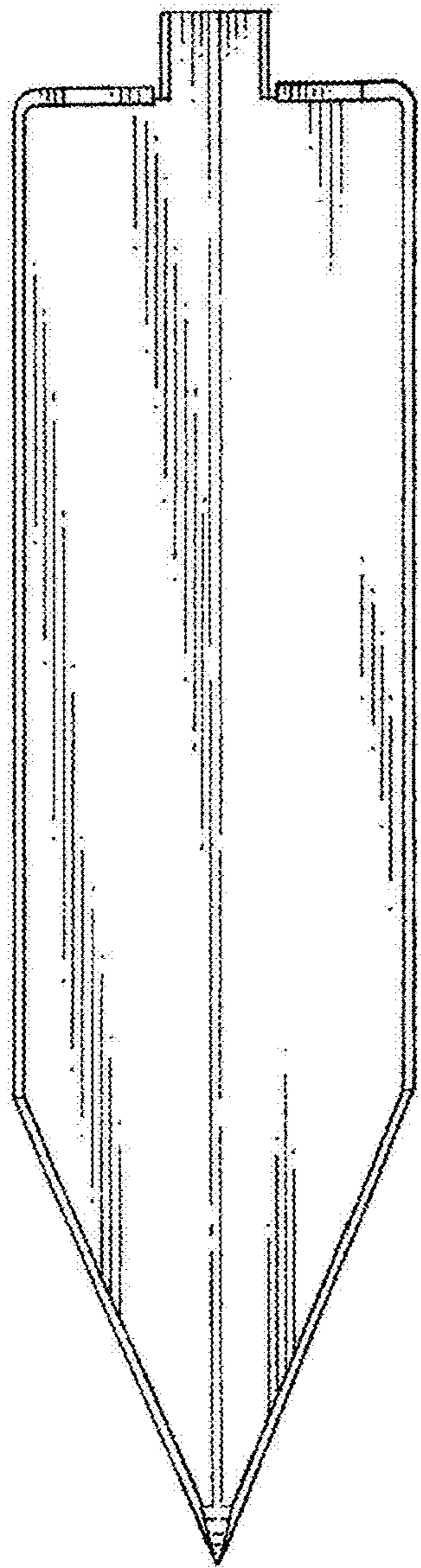


FIG. 3

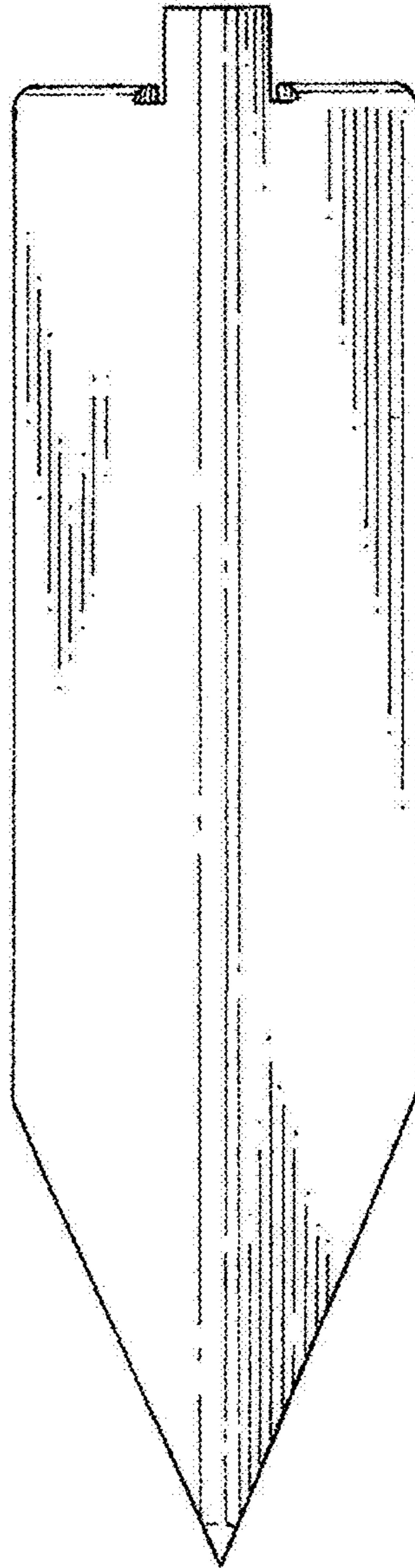


FIG. 2

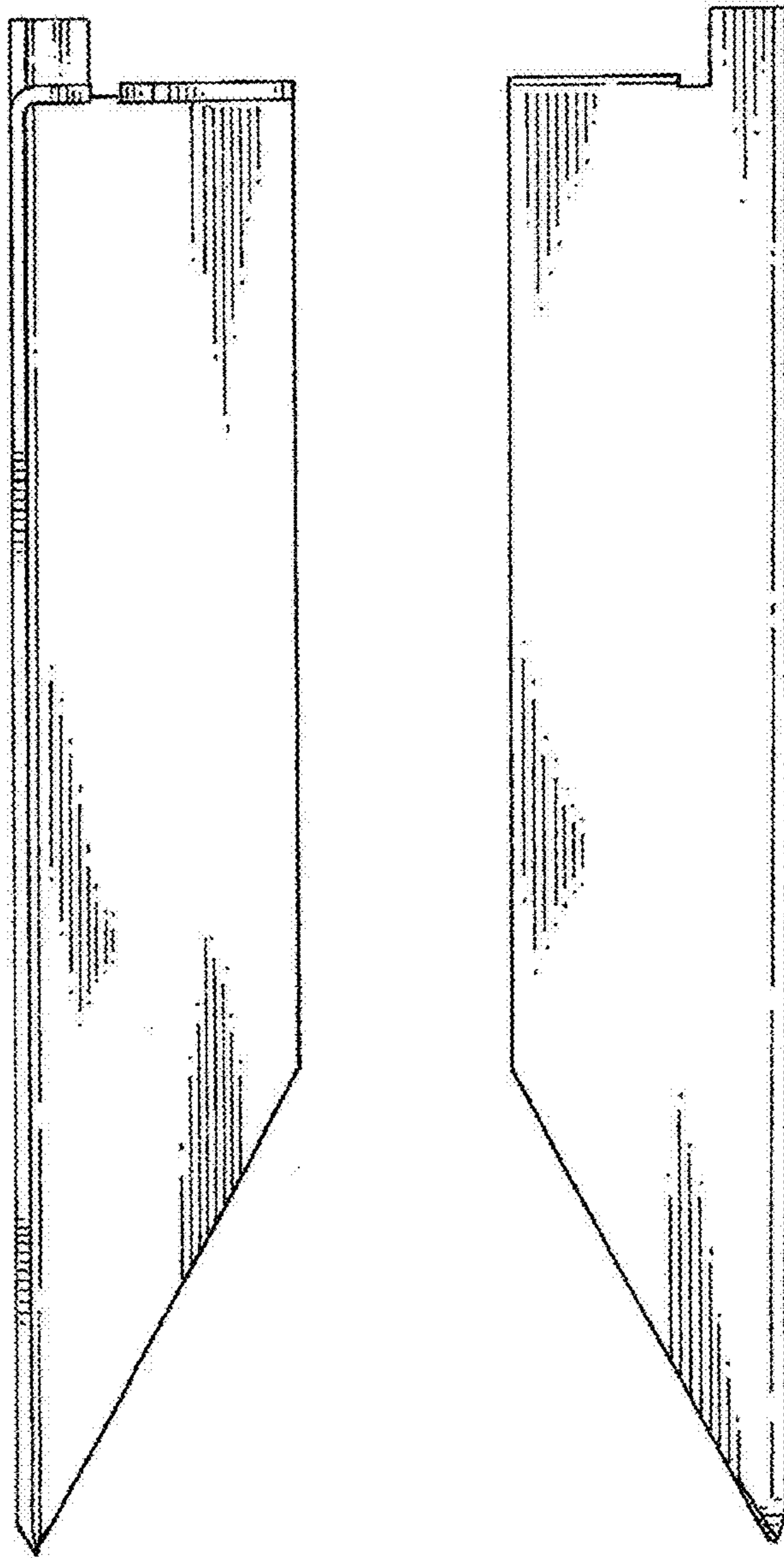


FIG. 5

FIG. 4

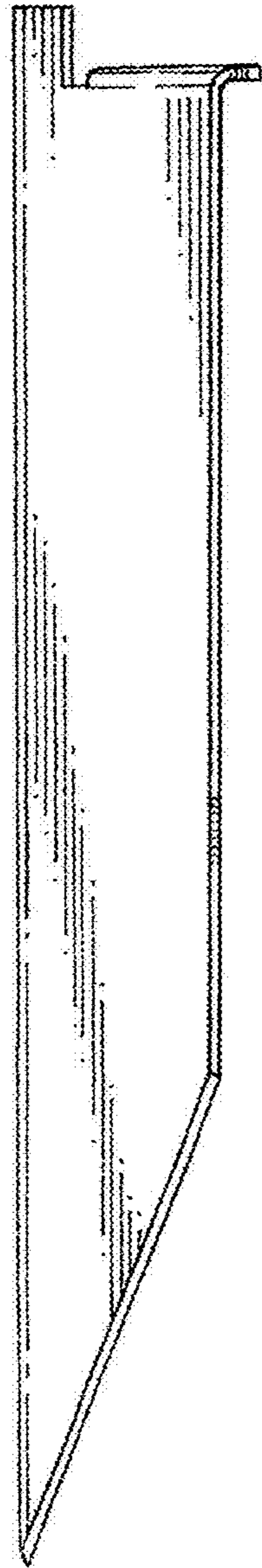


FIG. 6

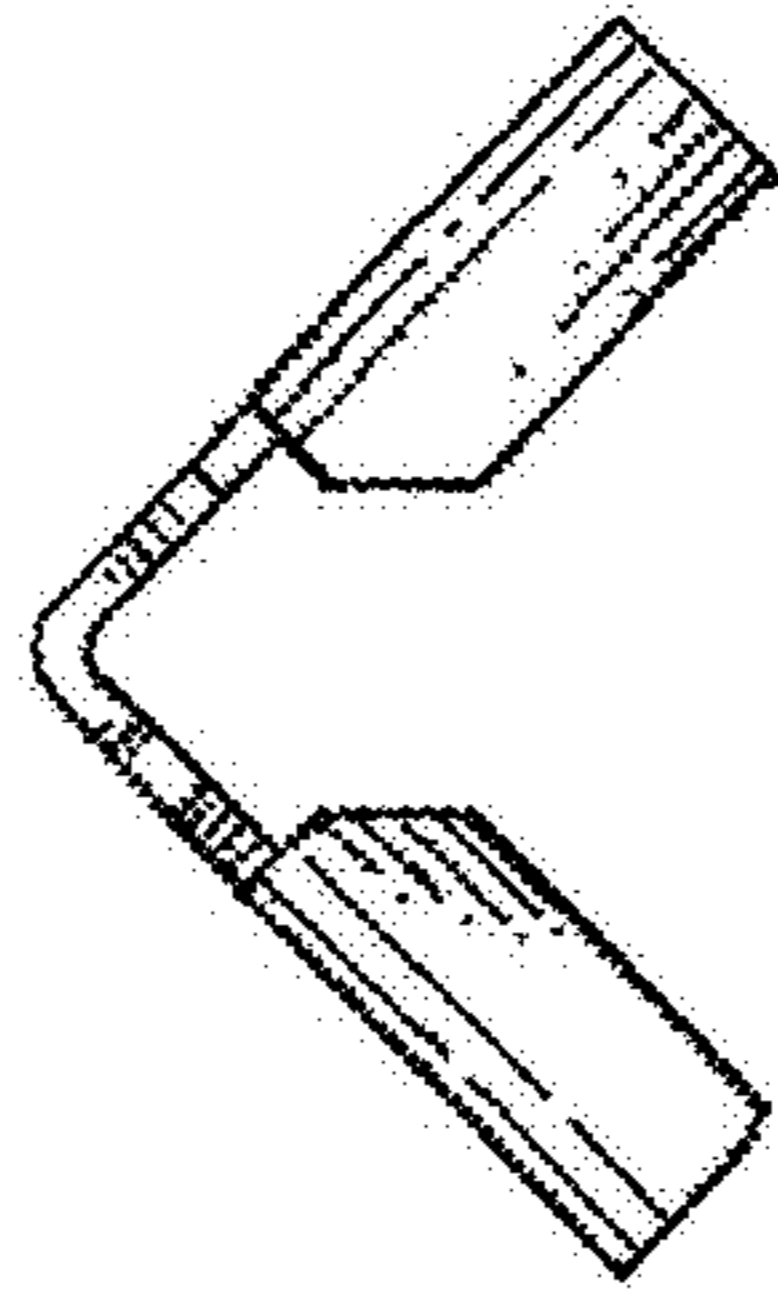


FIG. 7

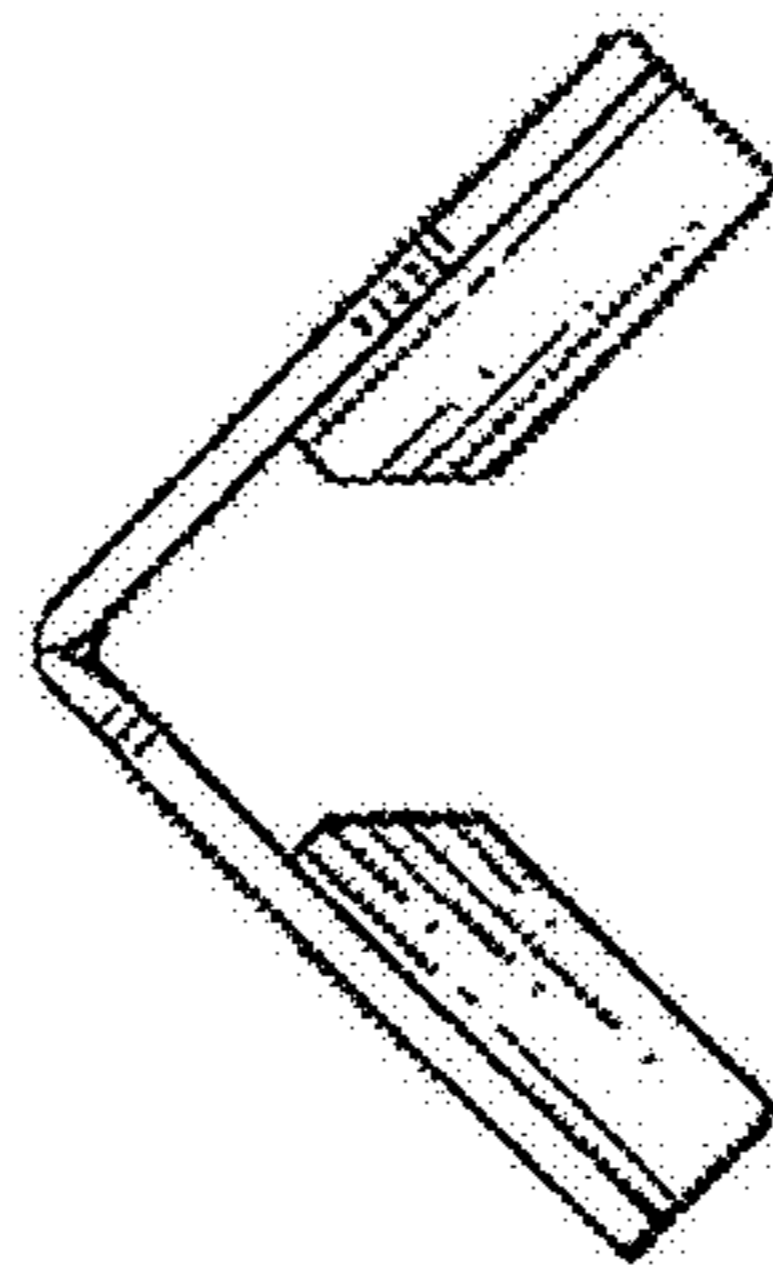


FIG. 8