

US00D864677S

(12) **United States Design Patent** (10) **Patent No.:** **US D864,677 S**
Brouillac (45) **Date of Patent:** **** Oct. 29, 2019**

(54) **CONDIMENT MILL**
(71) Applicant: **PSP, Quingey (FR)**
(72) Inventor: **Nicolas Brouillac, Quingey (FR)**
(73) Assignee: **PSP, Quingey (FR)**
(**) Term: **15 Years**
(21) Appl. No.: **29/639,392**
(22) Filed: **Mar. 6, 2018**
(51) **LOC (12) Cl.** **07-04**
(52) **U.S. Cl.**
USPC **D7/679**
(58) **Field of Classification Search**
USPC D7/679, 590-597, 372, 373; D9/500,
D9/503, 504
CPC ... A21C 1/04; A47J 42/34; A47J 42/00; A47J
42/04; A47J 42/14; A47J 42/18; A47J
42/24; A47J 42/42; A47J 42/46; A47J
42/06; A47J 42/08; A47J 42/40; A47J
43/044; A47J 43/0722; A47J 43/06; A47J
43/25; A47J 43/255; A24C 5/40; B02C
18/08; B02C 18/24; B02C 18/16
See application file for complete search history.

(56) **References Cited**
U.S. PATENT DOCUMENTS
3,235,130 A * 2/1966 Waither A47G 19/24
222/142.9
3,476,297 A * 11/1969 Swett A47G 19/24
222/480
3,991,947 A * 11/1976 Schlessel A47J 42/04
241/169.1
4,135,672 A * 1/1979 Schlessel A47J 42/04
241/169.1
D315,850 S * 4/1991 Wu D7/679
D364,078 S * 11/1995 Weterrings D7/679

5,465,871 A * 11/1995 Robbins, III B65D 47/0814
222/142.5
D428,772 S * 8/2000 Kibbe D7/596
D455,324 S * 4/2002 Wright D7/679
D465,135 S * 11/2002 Ng D7/679
D467,773 S * 12/2002 Wright D7/679
D484,371 S * 12/2003 Tang D7/679
D560,445 S * 1/2008 Tardif D7/679
D570,651 S * 6/2008 Lin D7/679
D616,262 S * 5/2010 Lundstrom D7/679
D628,025 S 11/2010 Arn
D628,026 S 11/2010 Arn
D630,477 S 1/2011 Thornton
D630,906 S 1/2011 Wen
D737,637 S * 9/2015 Jossem D7/679
2005/0077405 A1 * 4/2005 Cheng A47J 42/04
241/169.1
2005/0274835 A1 * 12/2005 Huang A47J 42/04
241/169.1

(Continued)

Primary Examiner — Terry A Wallace
(74) *Attorney, Agent, or Firm* — Craft Chu PLLC;
Andrew W. Chu

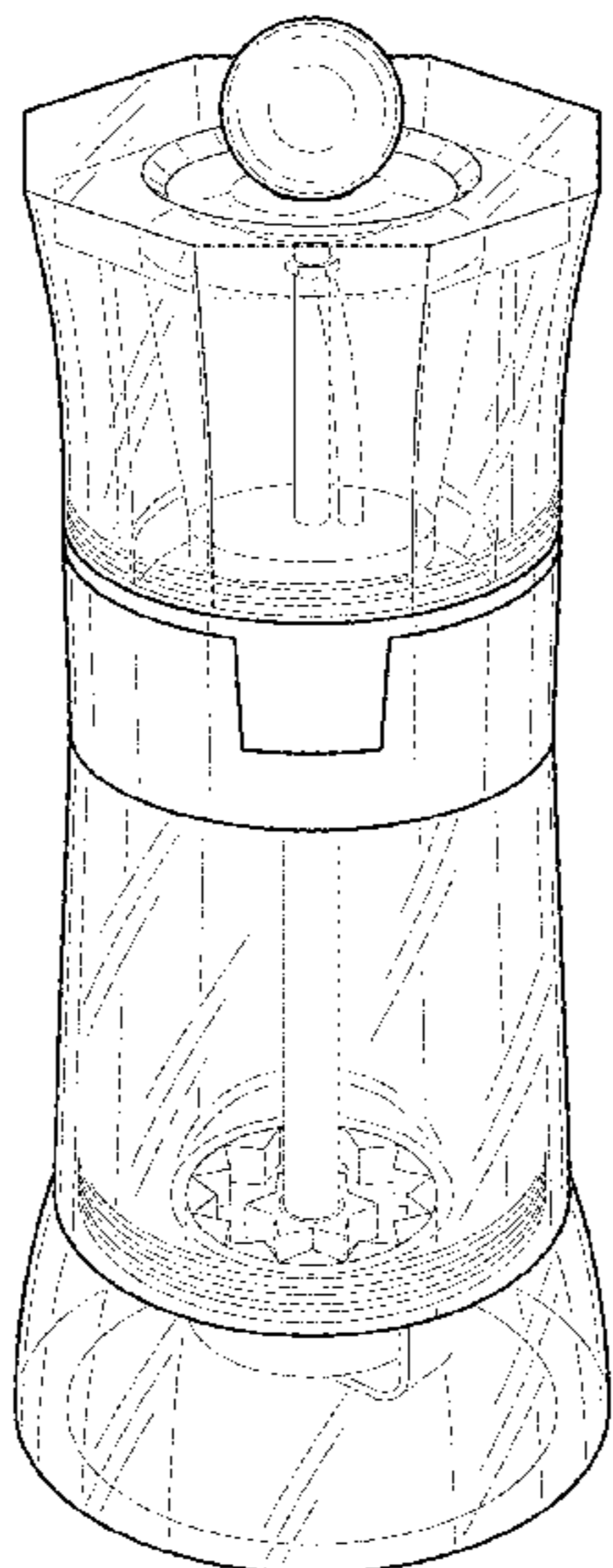
(57) **CLAIM**

The ornamental design for a condiment mill, as shown and described.

DESCRIPTION

FIG. 1 is an upper perspective view of the condiment mill showing my design, wherein top and bottom portions are transparent; and, FIG. 2 is a front elevation view thereof, a back elevation view, a side elevation view, and an opposite side elevation view being identical. The condiment mill is a handheld device to contain spices and flavorings, such as rock salt and pepper. The bottom portion includes a transparent cover indicated by curved contour lines and an interior portion visible on an outside through the transparent cover.

1 Claim, 1 Drawing Sheet



(56)

References Cited

U.S. PATENT DOCUMENTS

2009/0095832 A1* 4/2009 Wu A47J 42/40
241/169.1

* cited by examiner

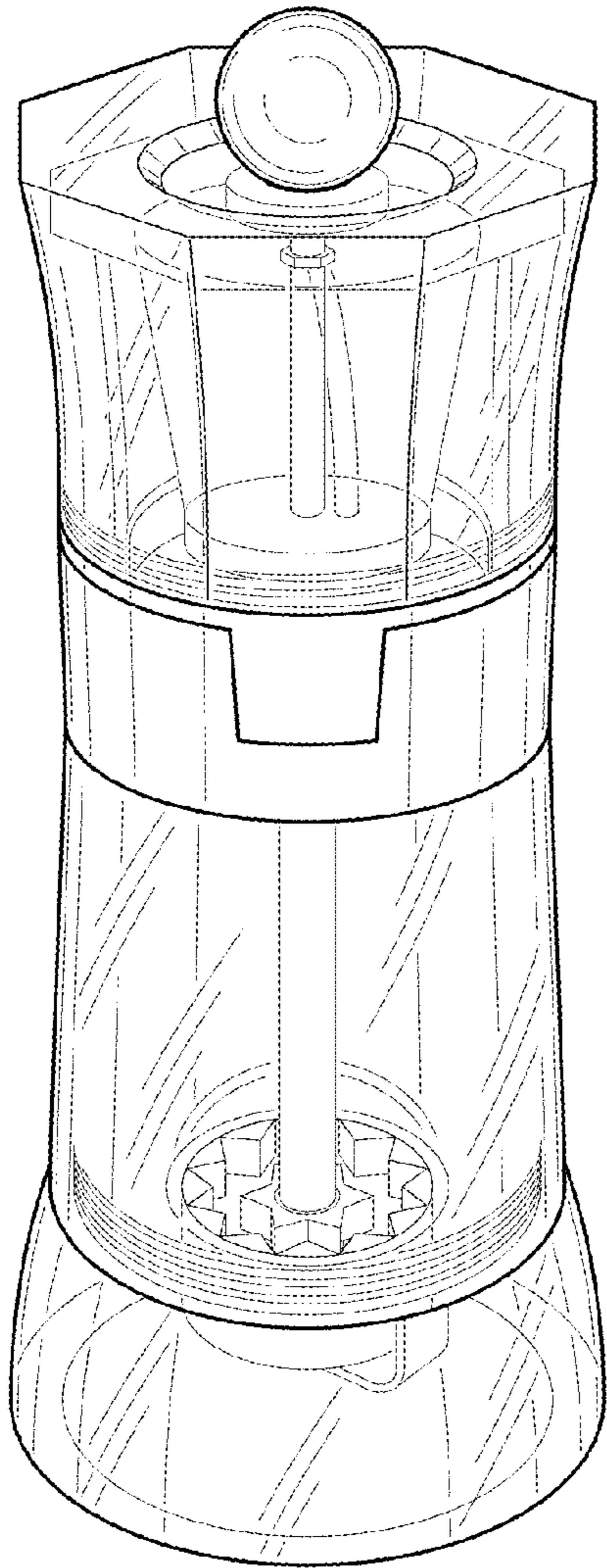


FIG. 1

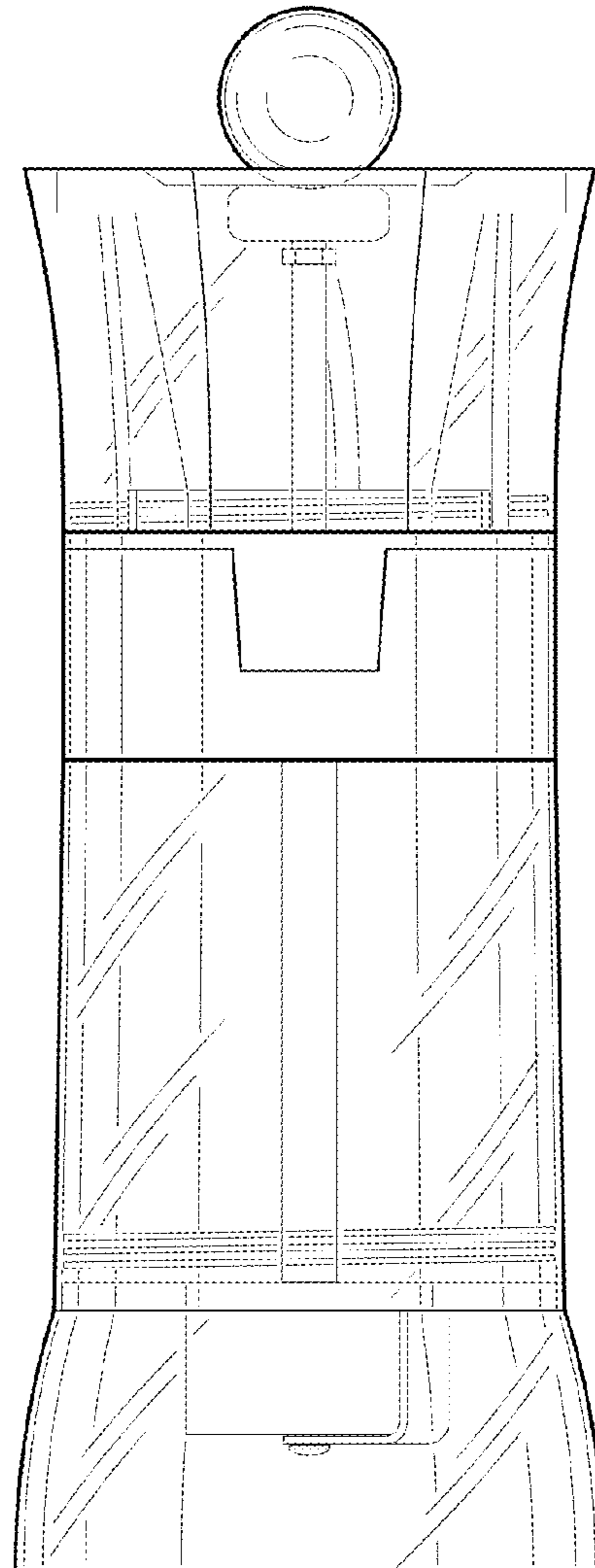


FIG. 2