



US00D864676S

(12) **United States Design Patent** (10) **Patent No.:** **US D864,676 S**  
**Alvarez** (45) **Date of Patent:** **\*\* Oct. 29, 2019**

(54) **PANNING APPARATUS**  
(71) Applicant: **Bob Wayne Alvarez**, Seaside, OR (US)  
(72) Inventor: **Bob Wayne Alvarez**, Seaside, OR (US)  
(\*\*) Term: **15 Years**  
(21) Appl. No.: **29/667,027**  
(22) Filed: **Oct. 17, 2018**

D571,168 S \* 6/2008 Sais ..... D8/1  
D646,525 S \* 10/2011 Molayem ..... D7/505  
8,113,355 B1 \* 2/2012 Peterson ..... B03B 5/02  
209/235

(Continued)

**FOREIGN PATENT DOCUMENTS**

CA 182117 \* 6/2018

**OTHER PUBLICATIONS**

Gold Rush Nugget Bucket, amazon.com, earliest reviewed Nov. 6, 2016, no production date given, [online], [site visited Mar. 18, 2019], Available from Internet, URL: <https://www.amazon.com/Gold-Rush-Nugget-Bucket-Panning/dp/B010LAM7O0?th=1> (Year: 2016).\*

(Continued)

*Primary Examiner* — Garth Rademaker  
*Assistant Examiner* — Fritzgerald L Butac  
(74) *Attorney, Agent, or Firm* — Berkeley Law & Technology Group LLP

(57) **CLAIM**

The ornamental design for a panning apparatus, as shown and described.

**DESCRIPTION**

FIG. 1 is a front perspective view of a panning apparatus showing my new design;  
FIG. 2 is a front elevational view thereof;  
FIG. 3 is a rear elevational view thereof;  
FIG. 4 is a right side view thereof;  
FIG. 5 is a left side view thereof;  
FIG. 6 is a top plan view thereof;  
FIG. 7 is a bottom plan view thereof;  
FIG. 8 is a top perspective view thereof;  
FIG. 9 is an exploded top perspective view thereof;  
FIG. 10 is an exploded bottom perspective view thereof;  
and,  
FIG. 11 is an exploded front elevation view thereof.

**1 Claim, 10 Drawing Sheets**

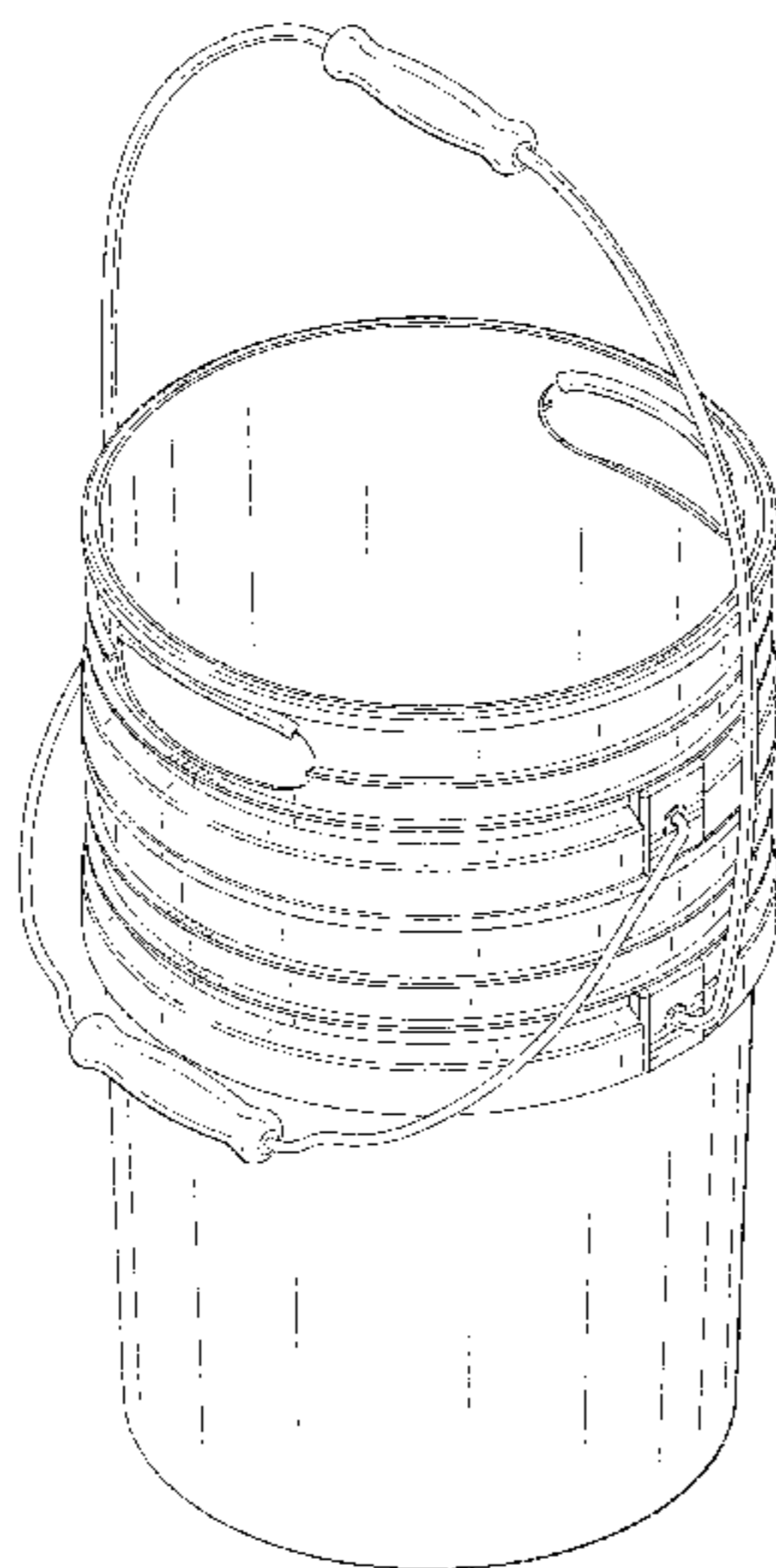
**Related U.S. Application Data**

(63) Continuation-in-part of application No. 29/631,651, filed on Jan. 1, 2018.  
(51) **LOC (12) Cl.** ..... **31-00**  
(52) **U.S. Cl.**  
USPC ..... **D7/667**  
(58) **Field of Classification Search**  
USPC ..... D7/360, 548, 667; D8/1; D15/122, 123, D15/124, 147  
CPC ..... B03B 5/02; B03B 5/06  
See application file for complete search history.

(56) **References Cited**

**U.S. PATENT DOCUMENTS**

4,319,994 A \* 3/1982 Morgan ..... B03B 5/02  
209/447  
D349,420 S \* 8/1994 Hasuike ..... D7/354  
5,423,430 A \* 6/1995 Zaffiro ..... B07B 1/02  
209/315  
D420,864 S \* 2/2000 Kenney ..... D7/667  
6,102,211 A \* 8/2000 Krenzler ..... B03B 5/74  
15/260  
D445,004 S \* 7/2001 Wallays ..... D7/667  
D480,096 S \* 9/2003 Hovian ..... D15/147  
7,025,880 B2 \* 4/2006 Lamb ..... B01D 29/03  
15/264  
7,114,459 B2 \* 10/2006 Schmidt ..... A01K 1/0114  
119/161



(56)

**References Cited**

U.S. PATENT DOCUMENTS

D666,086 S \* 8/2012 Mundhra ..... D7/667  
D688,592 S \* 8/2013 Placencia ..... D11/152  
D733,509 S \* 7/2015 Cornu ..... D7/667  
D752,399 S \* 3/2016 Walsh ..... D7/667  
D786,630 S \* 5/2017 Walsh ..... D7/667  
D799,281 S \* 10/2017 Walsh ..... D7/667  
2013/0213862 A1\* 8/2013 Peterson ..... B07B 1/4681  
209/235  
2014/0116927 A1\* 5/2014 Moe ..... B03B 5/68  
209/235  
2014/0332448 A1\* 11/2014 Trivette ..... B07B 1/46  
209/17

OTHER PUBLICATIONS

Screen shot of Facebook post <https://www.facebook.com/bob.alvarez.1441/posts/259002984900733> by Applicant Bob Wayne Alvarez dated Jul. 21, 2018, 1 page.

Examination Report from CA Patent Office for CA Application No. 182117 dated Apr. 2, 2019.

Response to Examination Report from CA Patent Office for CA Application No. 182117 dated Jun. 21, 2019.

\* cited by examiner

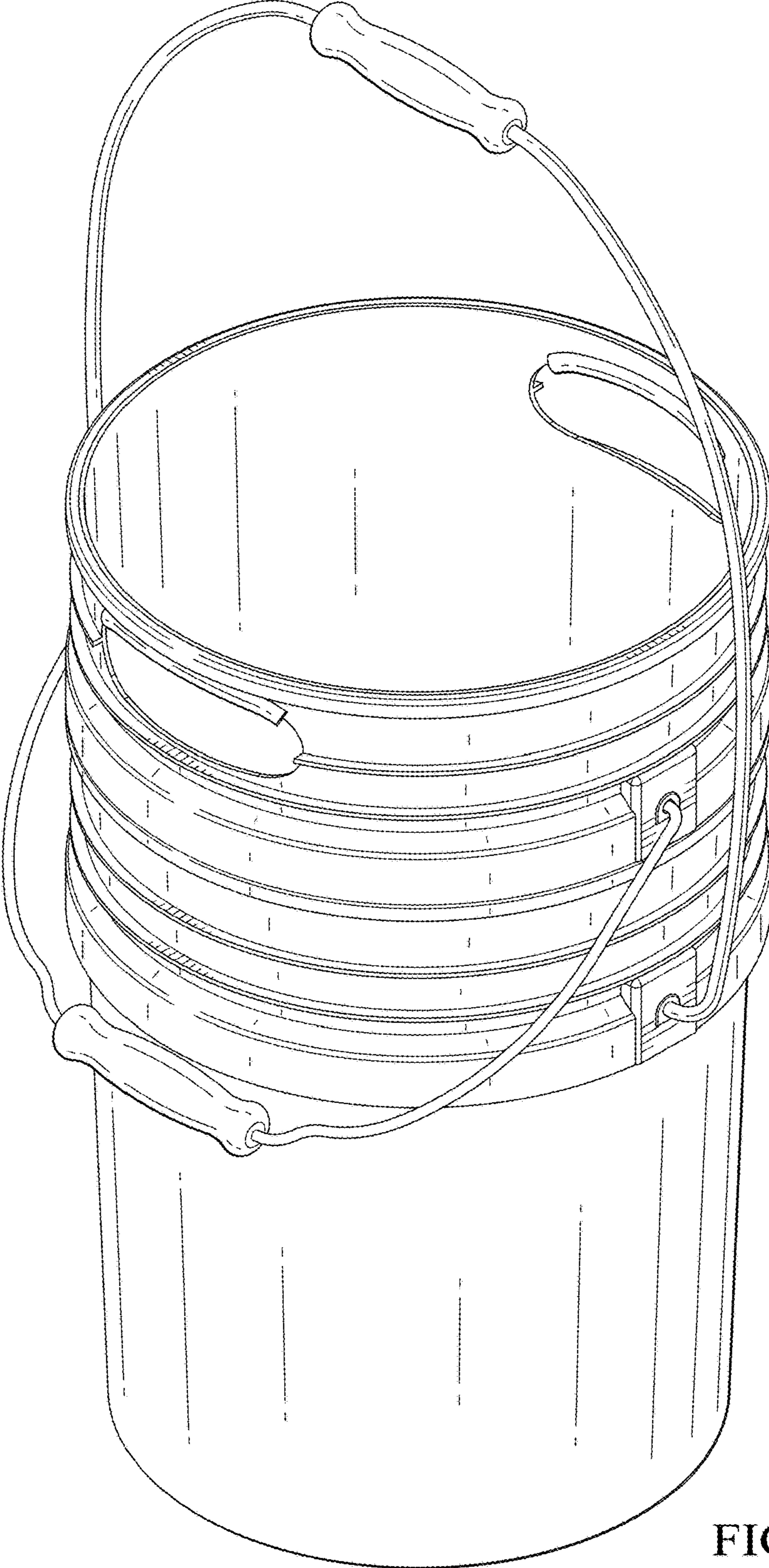


FIG. 1

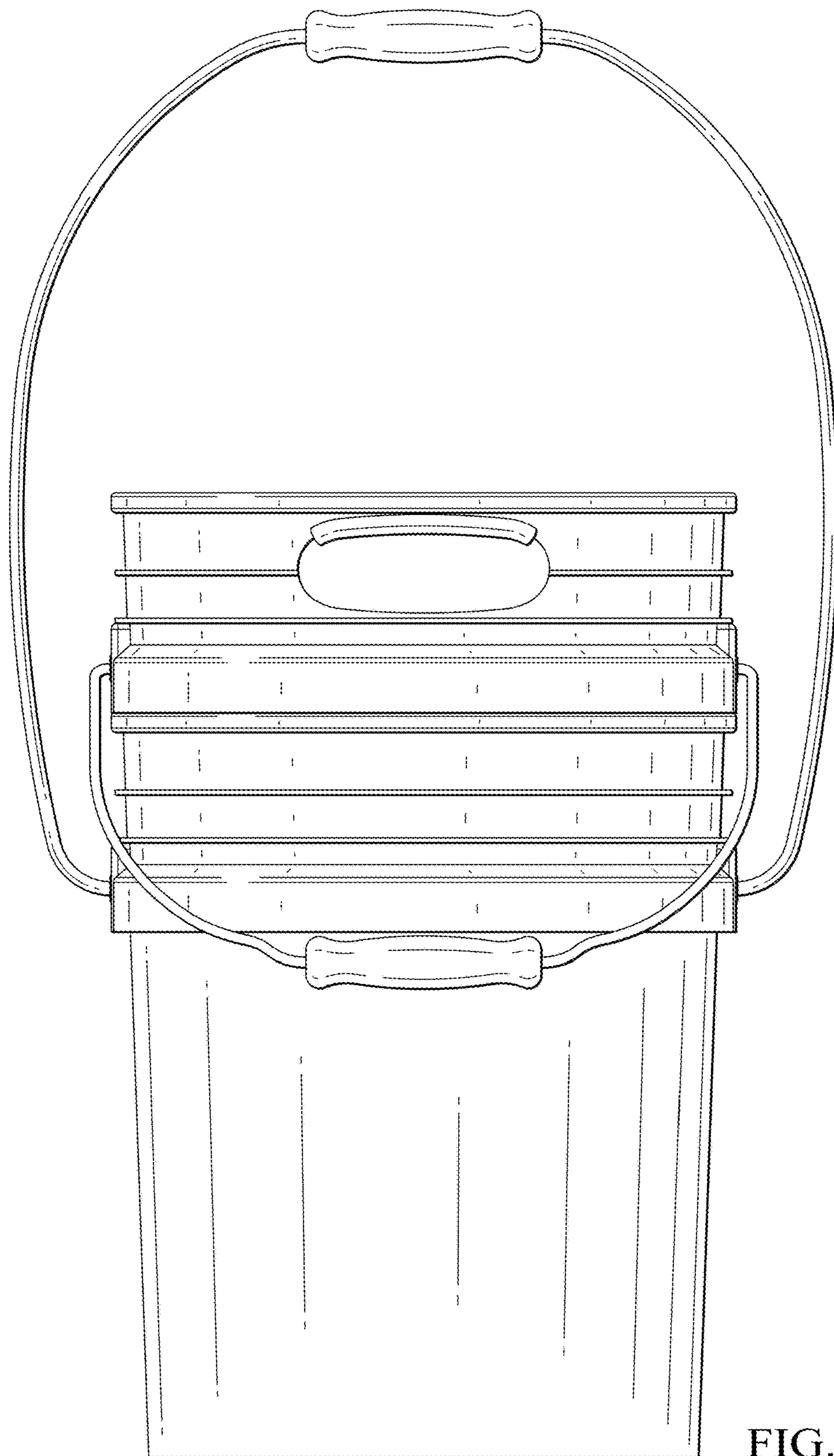


FIG. 2

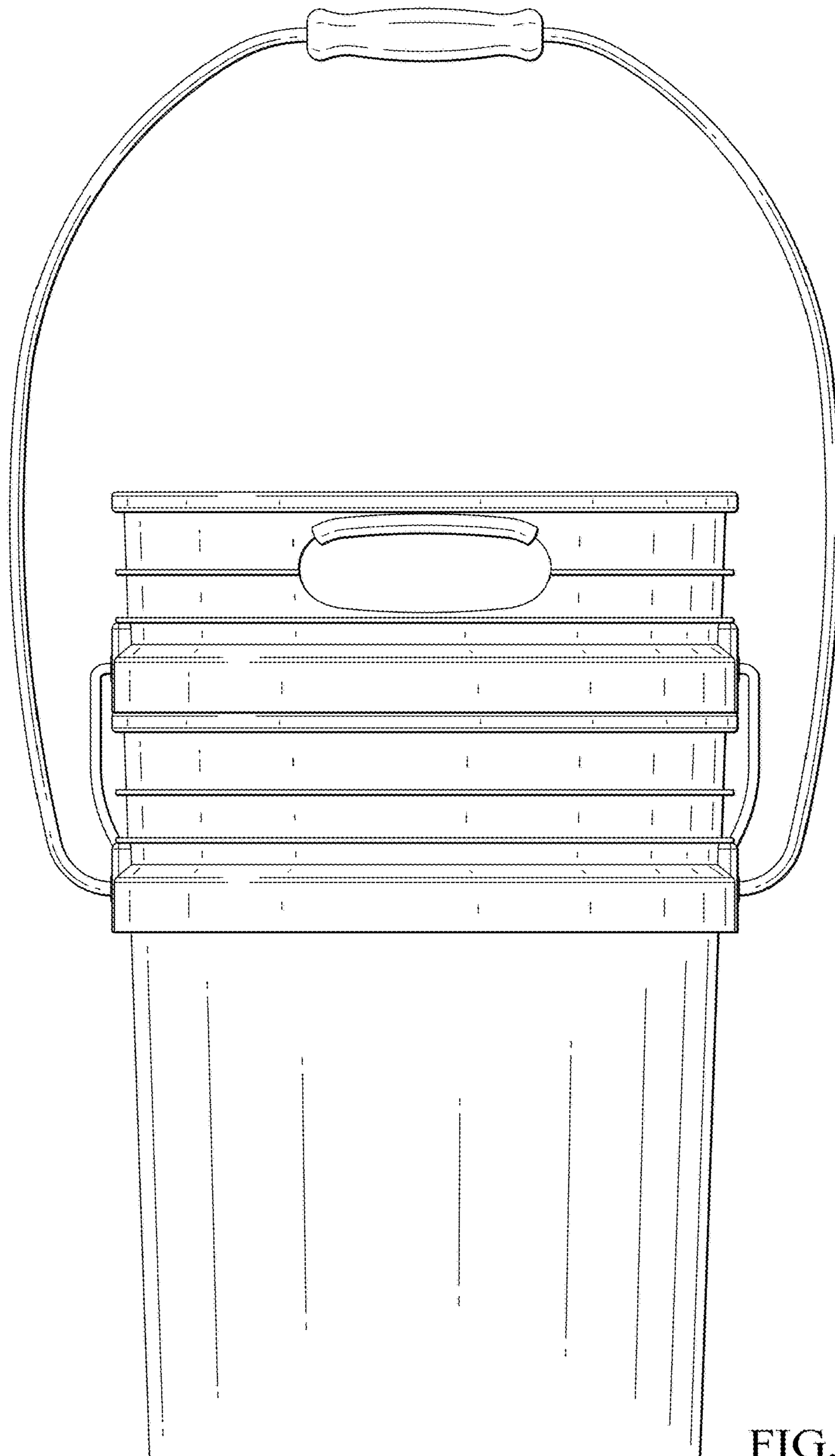


FIG. 3

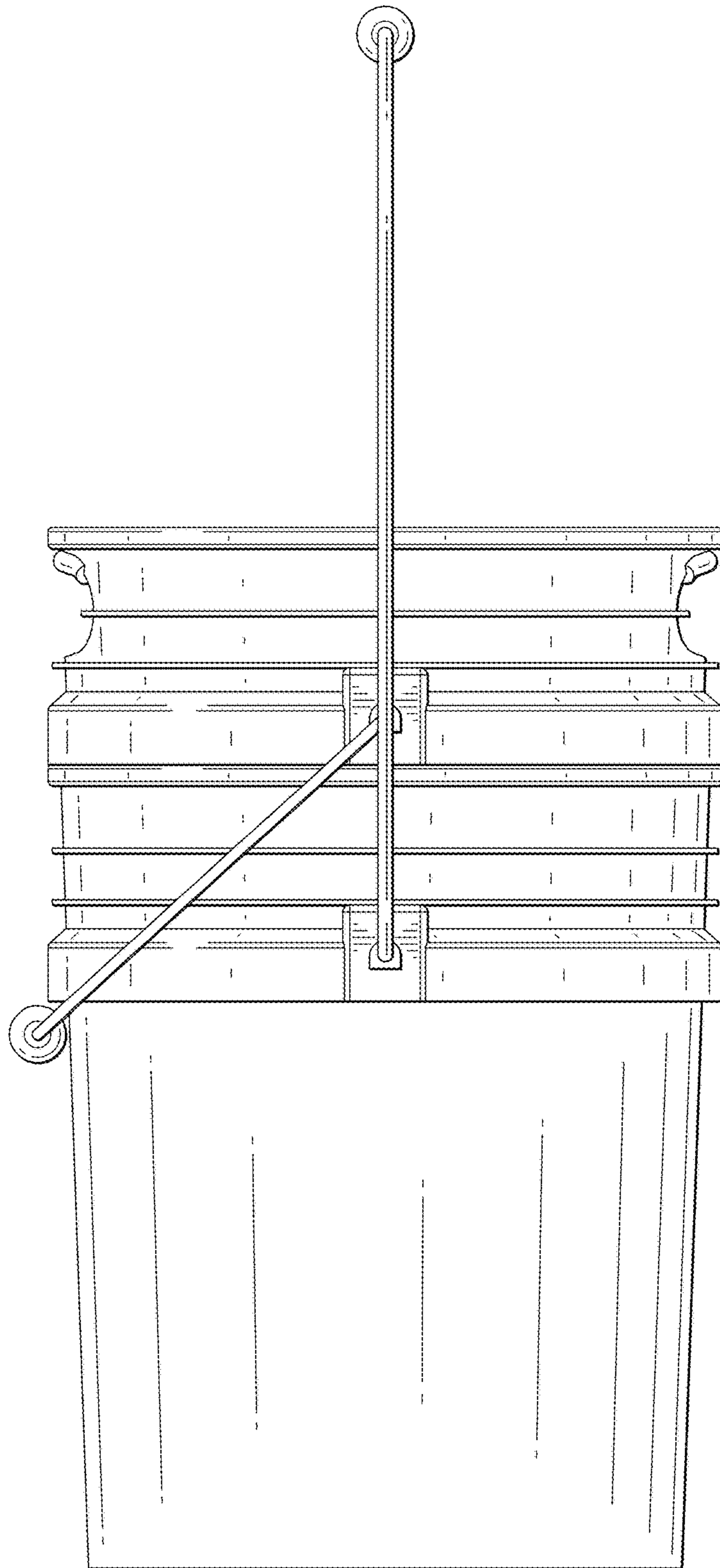


FIG. 4

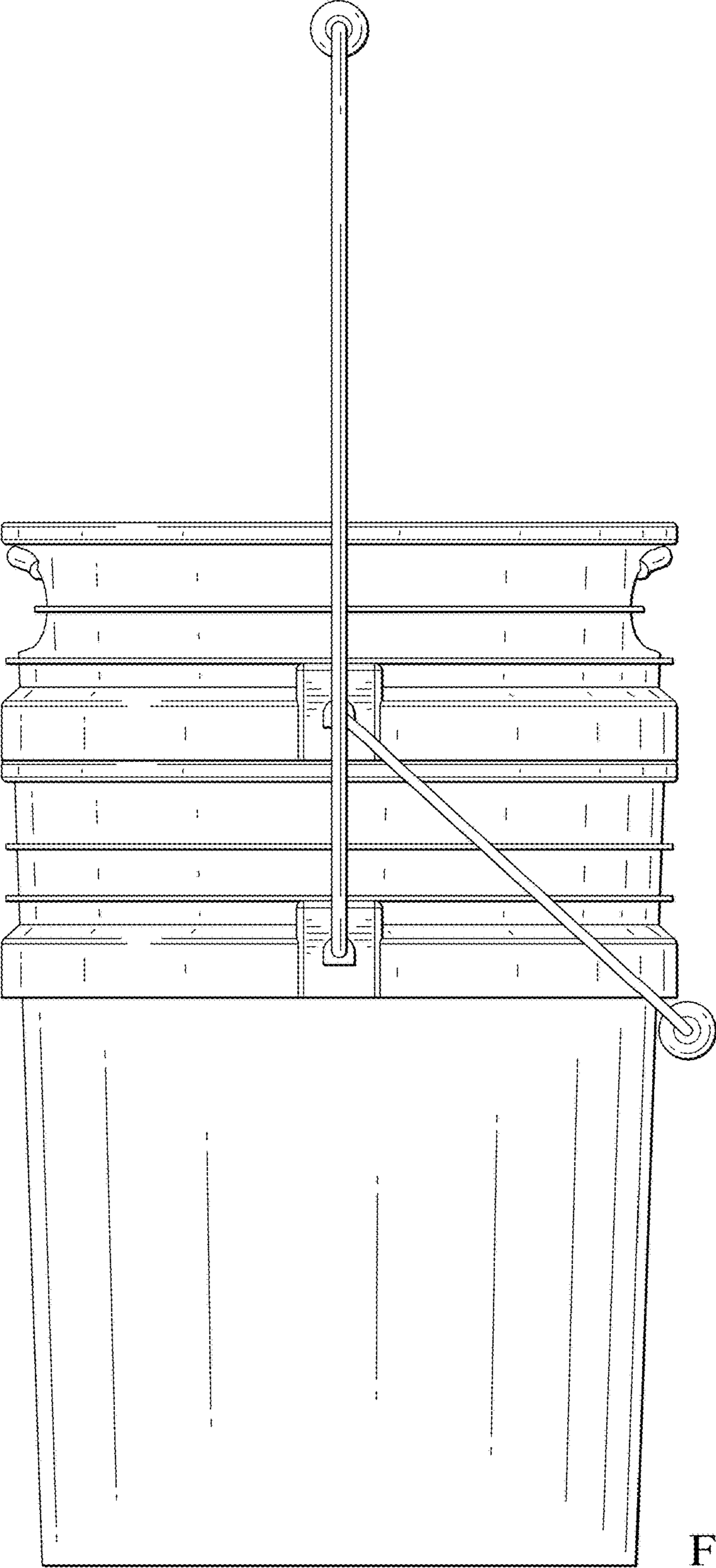


FIG. 5

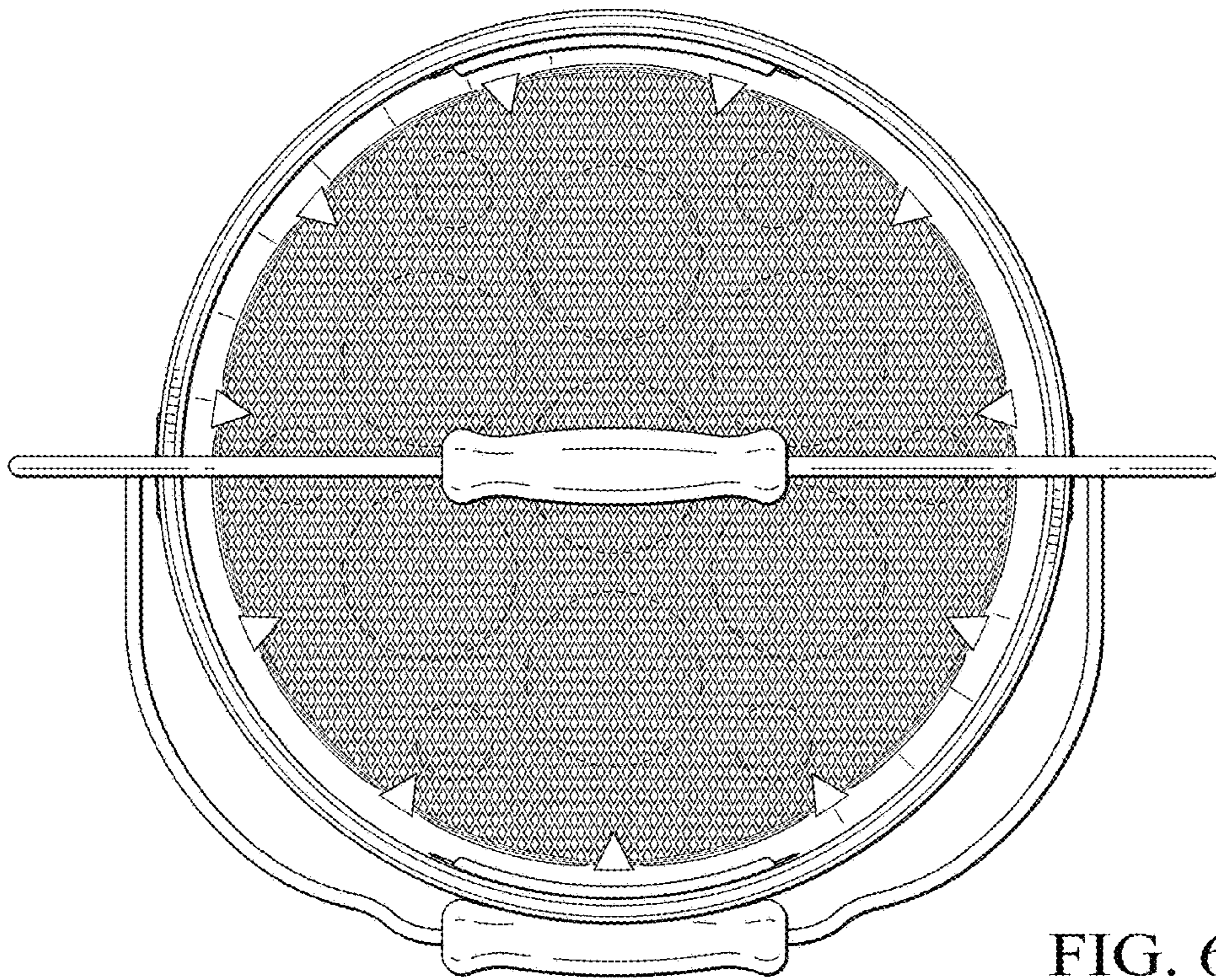


FIG. 6

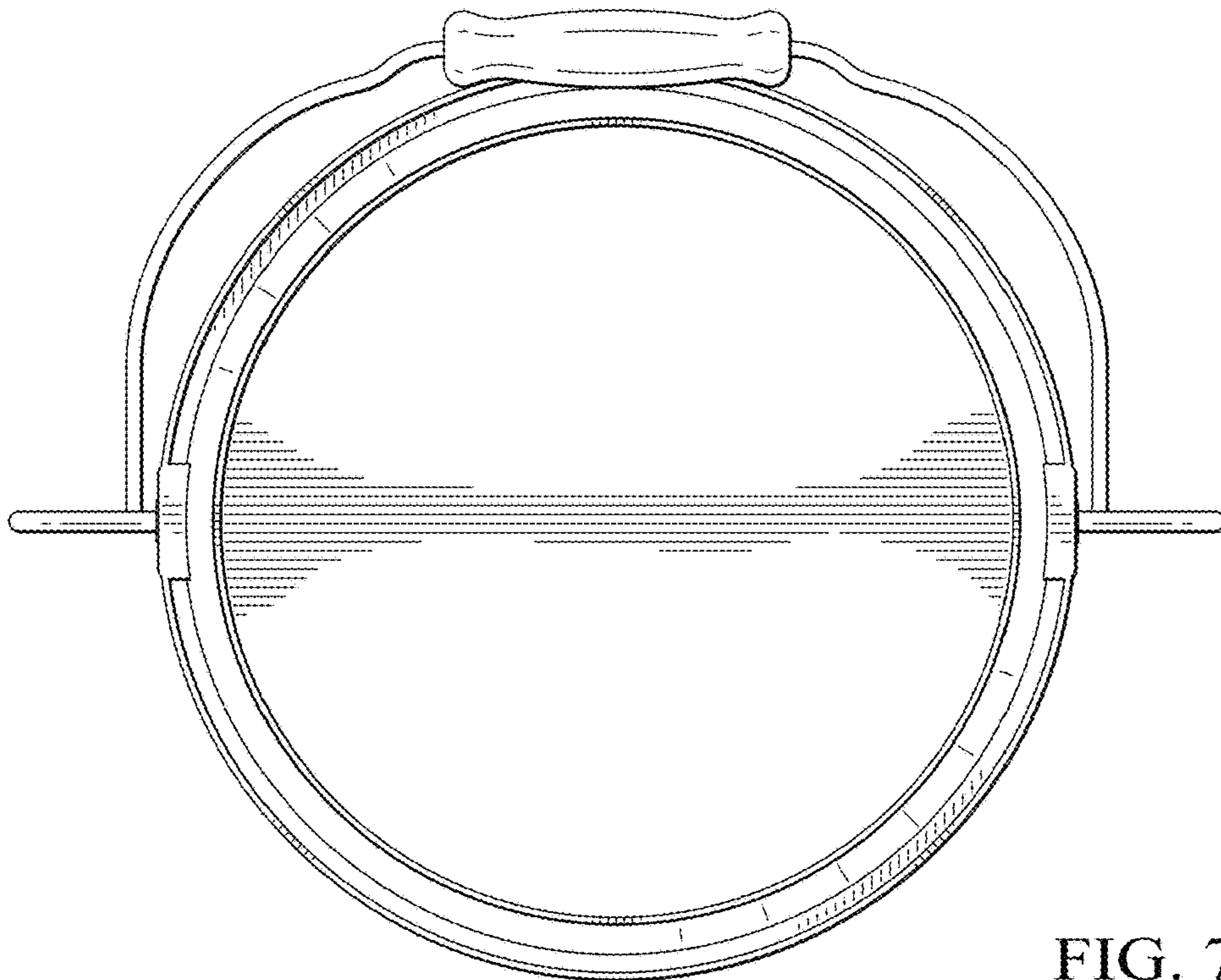


FIG. 7



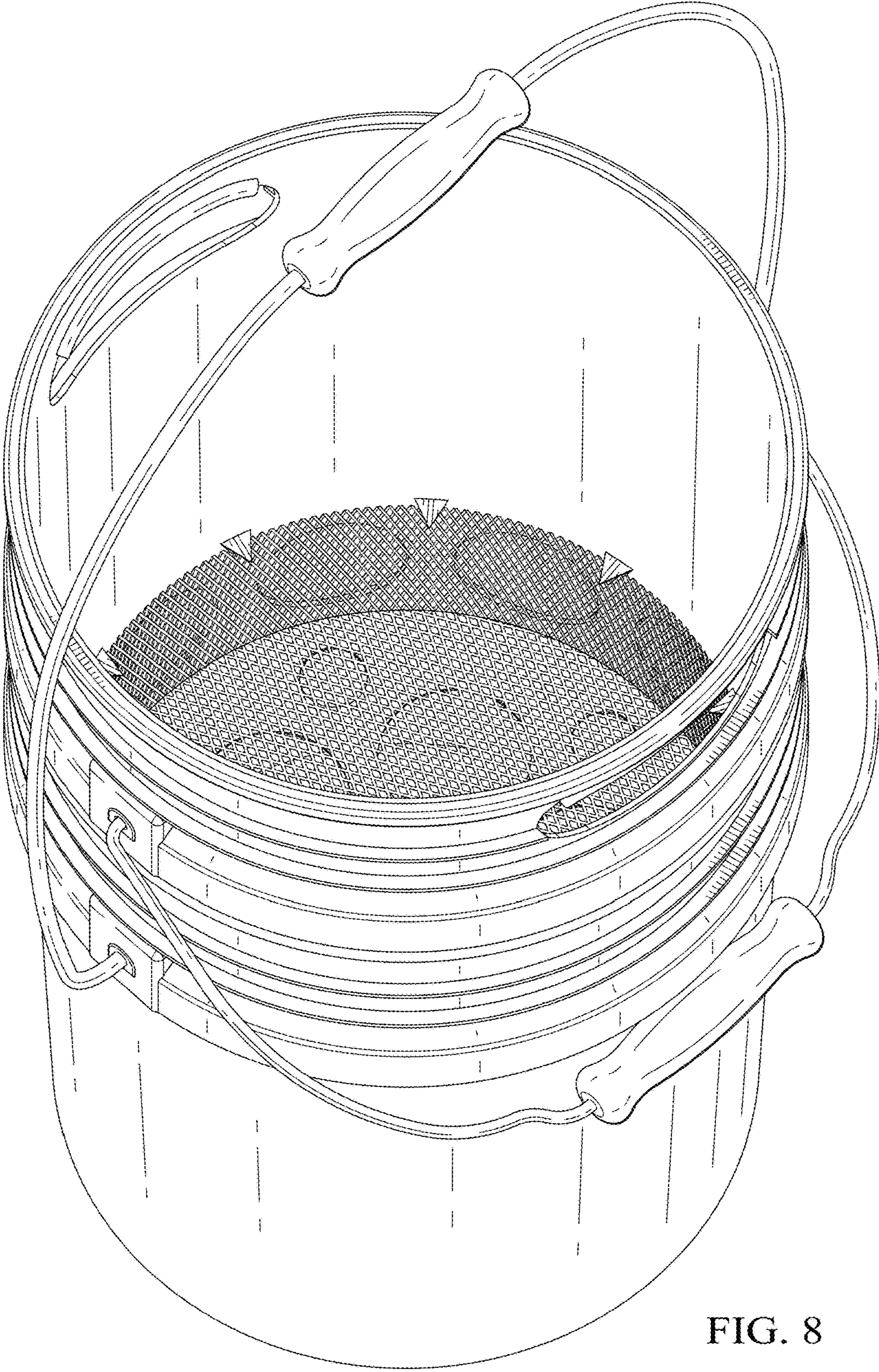


FIG. 8

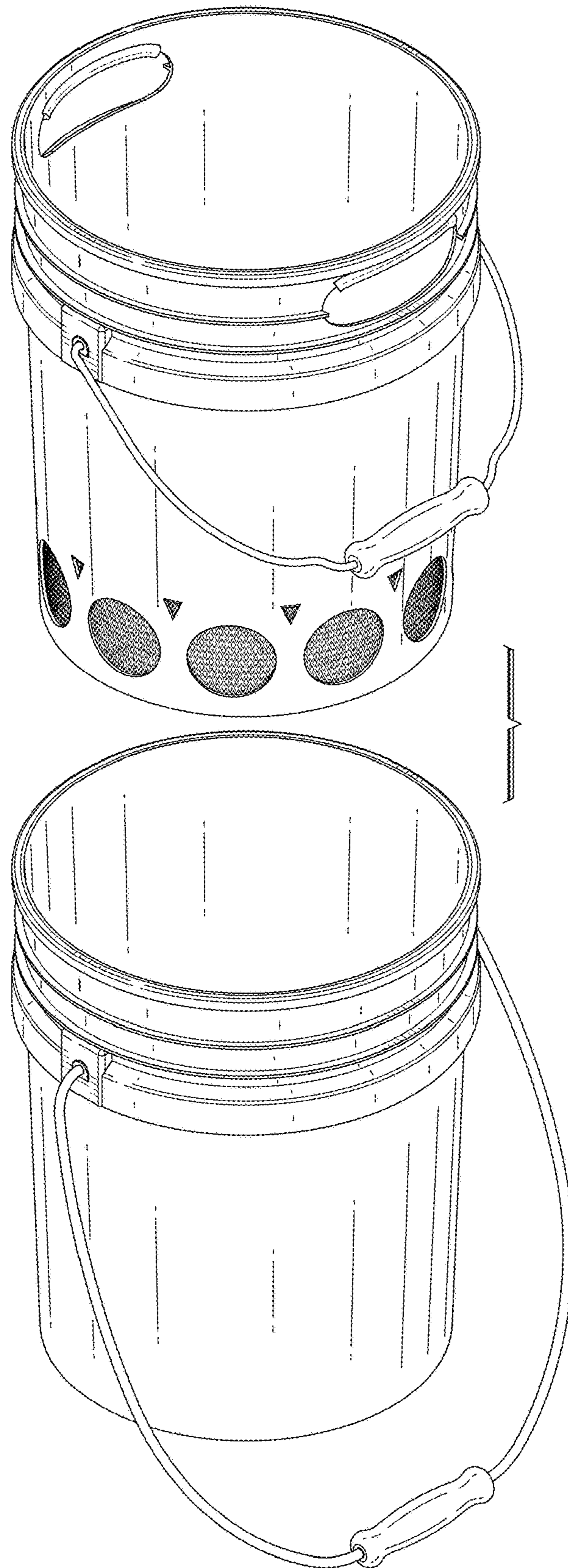


FIG. 9

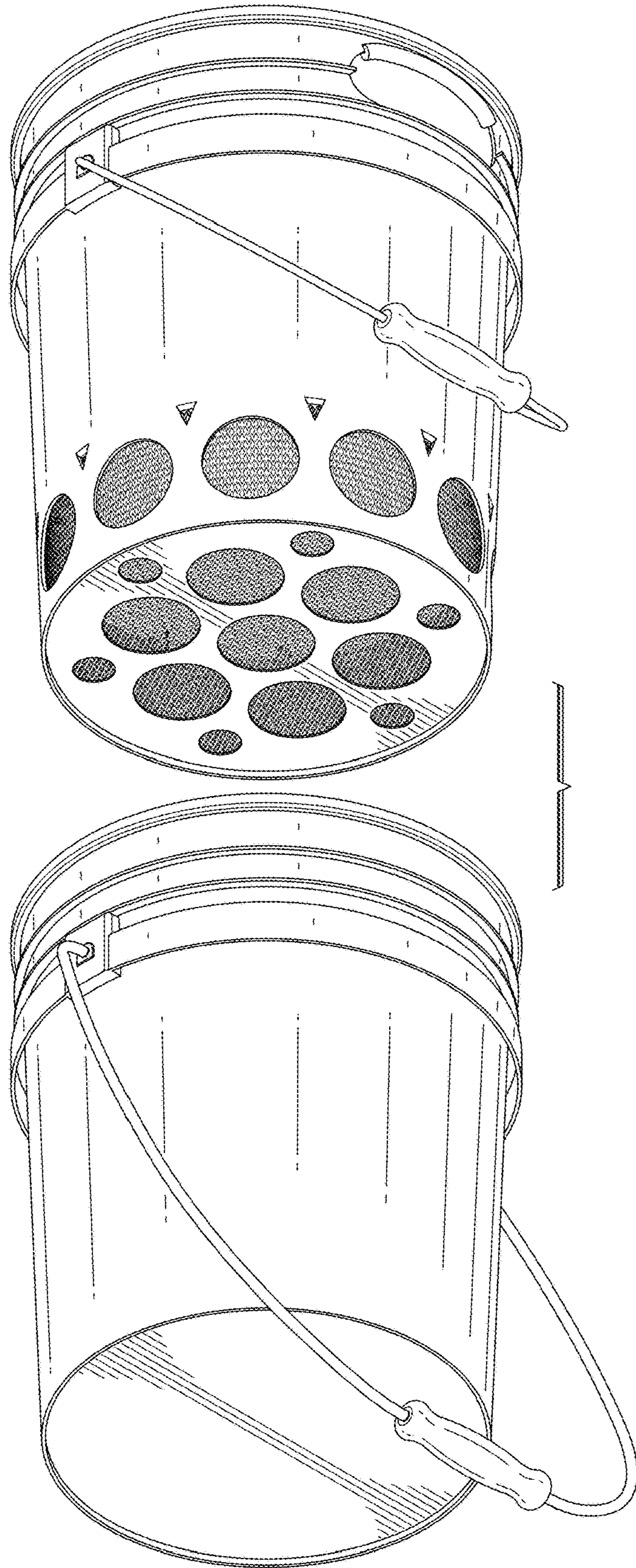


FIG. 10

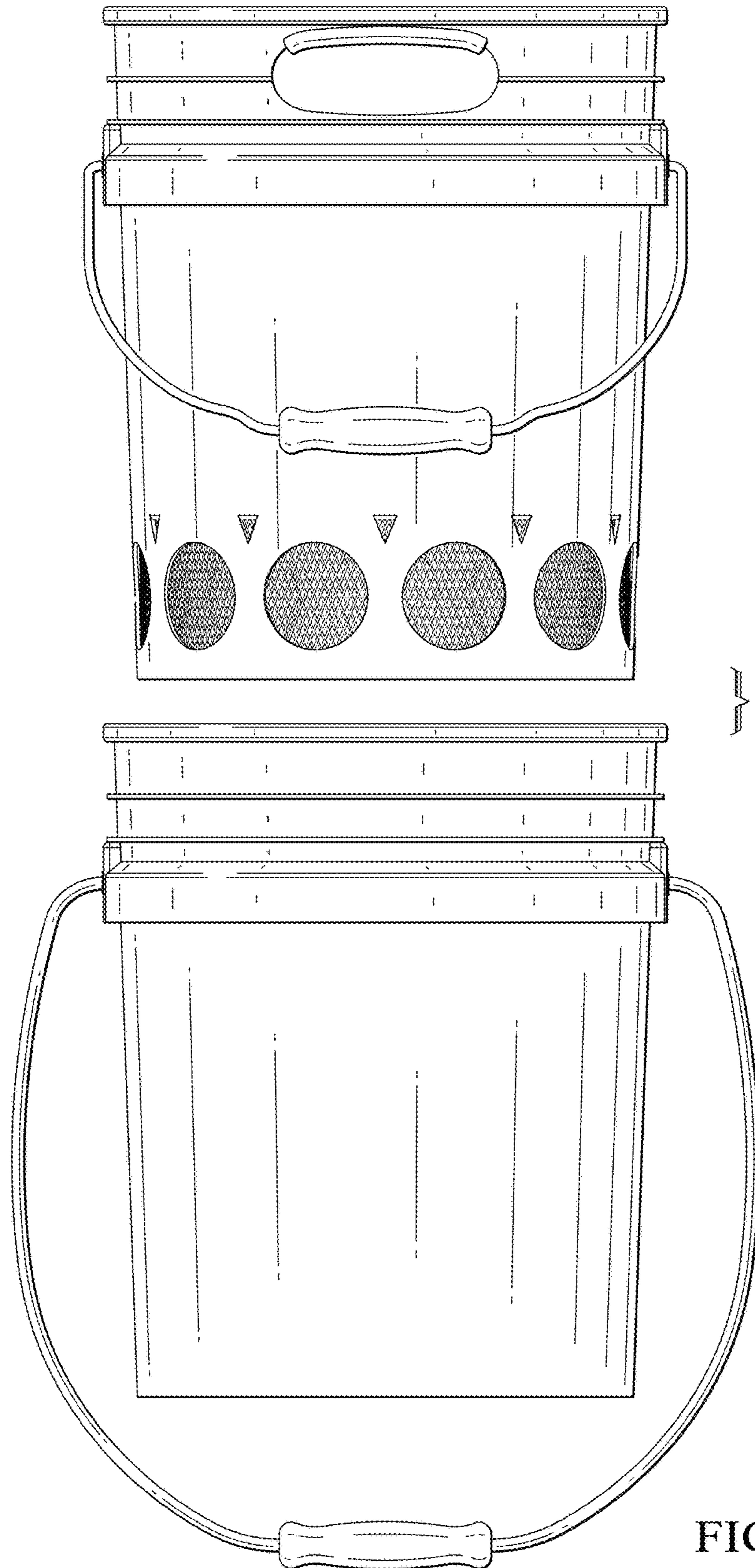


FIG. 11