

US00D864675S

(12) **United States Design Patent** (10) **Patent No.:** **US D864,675 S**
Alvarez (45) **Date of Patent:** **** Oct. 29, 2019**

- (54) **PANNING APPARATUS**
- (71) Applicant: **Bob Wayne Alvarez**, Seaside, OR (US)
- (72) Inventor: **Bob Wayne Alvarez**, Seaside, OR (US)
- (**) Term: **15 Years**
- (21) Appl. No.: **29/631,651**
- (22) Filed: **Jan. 1, 2018**
- (51) **LOC (12) Cl.** **31-00**
- (52) **U.S. Cl.**
USPC **D7/667**
- (58) **Field of Classification Search**
USPC D7/360, 548, 667; D8/1; D15/122, 123,
D15/124, 147
CPC B03B 5/02; B03B 5/06
See application file for complete search history.

- D733,509 S * 7/2015 Cornu D7/667
- D752,399 S * 3/2016 Walsh D7/667
- D786,630 S * 5/2017 Walsh D7/667

(Continued)

FOREIGN PATENT DOCUMENTS

CA 182117 * 6/2018

OTHER PUBLICATIONS

Gold Rush Nugget Bucket, amazon.com, earliest reviewed Nov. 6, 2016, no production date given, [online], [site visited Mar. 18, 2019], Available from Internet, URL: <https://www.amazon.com/Gold-Rush-Nugget-Bucket-Panning/dp/B010LAM700?th=1> (Year: 2016).*

(Continued)

Primary Examiner — Garth Rademaker
Assistant Examiner — Fritzgerald L Butac
(74) *Attorney, Agent, or Firm* — Berkeley Law & Technology Group LLP

(56) **References Cited**

U.S. PATENT DOCUMENTS

- 4,319,994 A * 3/1982 Morgan B03B 5/02
209/447
- D349,420 S * 8/1994 Hasuike D7/354
- 5,423,430 A * 6/1995 Zaffiro B07B 1/02
209/315
- D420,864 S * 2/2000 Kenney D7/667
- 6,102,211 A * 8/2000 Krenzler B03B 5/74
15/260
- D445,004 S * 7/2001 Wallays D7/667
- D480,096 S * 9/2003 Hovian D15/147
- 7,025,880 B2 * 4/2006 Lamb B01D 29/03
15/264
- 7,114,459 B2 * 10/2006 Schmidt A01K 1/0114
119/161
- D571,168 S * 6/2008 Sais D8/1
- D646,525 S * 10/2011 Molayem D7/505
- 8,113,355 B1 * 2/2012 Peterson B03B 5/02
209/235
- D666,086 S * 8/2012 Mundhra D7/667
- D688,592 S * 8/2013 Placencia D11/152

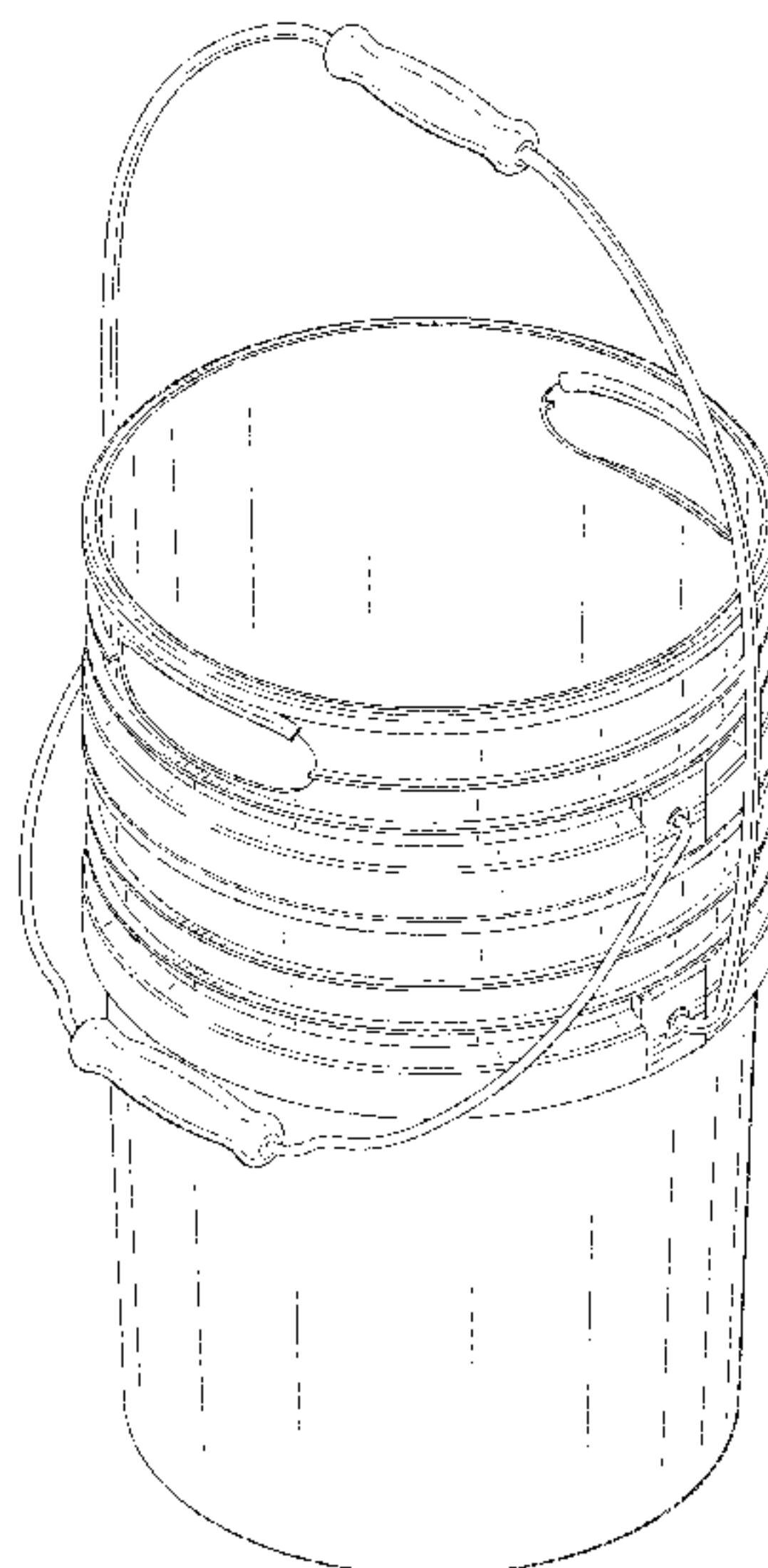
(57) **CLAIM**

The ornamental design for a panning apparatus, as shown and described.

DESCRIPTION

FIG. 1 is a front perspective view of a panning apparatus showing my new design;
FIG. 2 is a front elevational view thereof;
FIG. 3 is a rear elevational view thereof;
FIG. 4 is a right side view thereof;
FIG. 5 is a left side view thereof;
FIG. 6 is a top plan view thereof;
FIG. 7 is a bottom plan view thereof;
FIG. 8 is a top perspective view thereof;
FIG. 9 is an exploded top perspective view thereof;
FIG. 10 is an exploded bottom perspective view thereof;
and,
FIG. 11 is an exploded front elevation view thereof.

1 Claim, 10 Drawing Sheets



(56)

References Cited

U.S. PATENT DOCUMENTS

D799,281 S * 10/2017 Walsh D7/667
2013/0213862 A1* 8/2013 Peterson B07B 1/4681
209/235
2014/0116927 A1* 5/2014 Moe B03B 5/68
209/235
2014/0332448 A1* 11/2014 Trivette B07B 1/46
209/17

OTHER PUBLICATIONS

Screen shot of Facebook post <https://www.facebook.com/bob.alvarez.1441/posts/259002984900733> by Applicant Bob Wayne Alvarez dated Jul. 21, 2018, 1 page.
Examination Report from CA Patent Office for CA Application No. 182117 dated Apr. 2, 2019.
Response to Examination Report from CA Patent Office for CA Application No. 182117 dated Jun. 21, 2019.

* cited by examiner

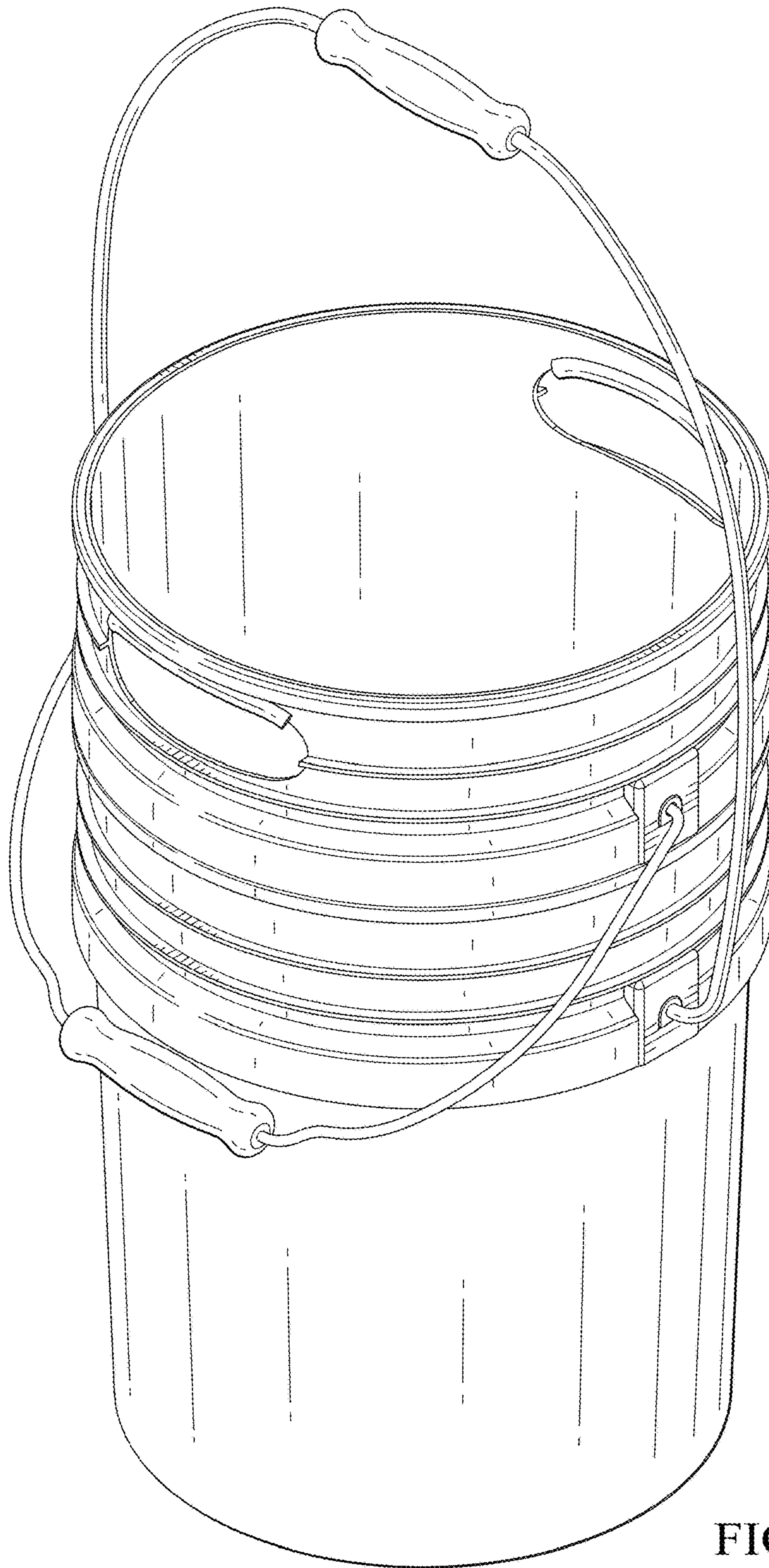


FIG. 1

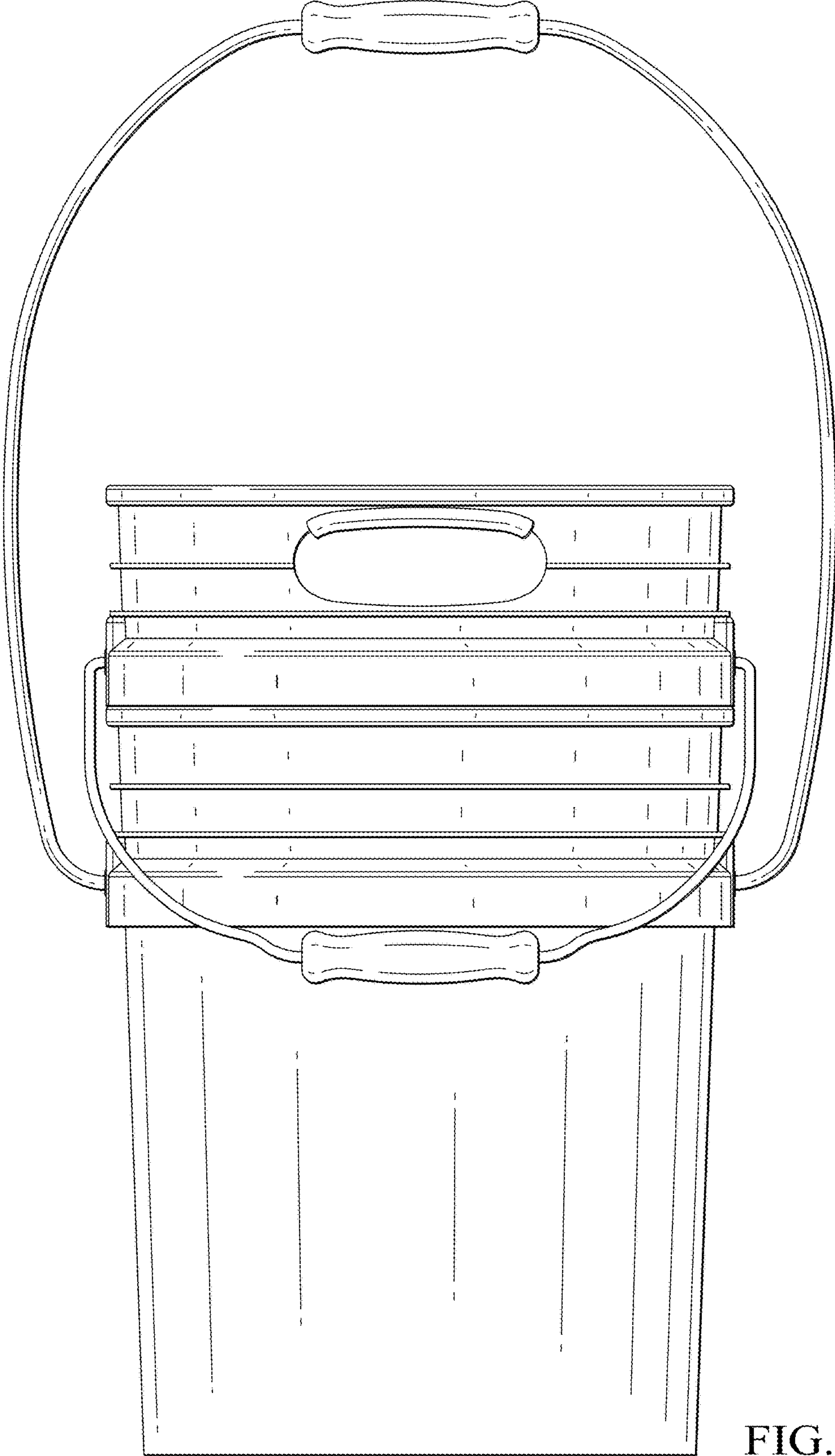


FIG. 2

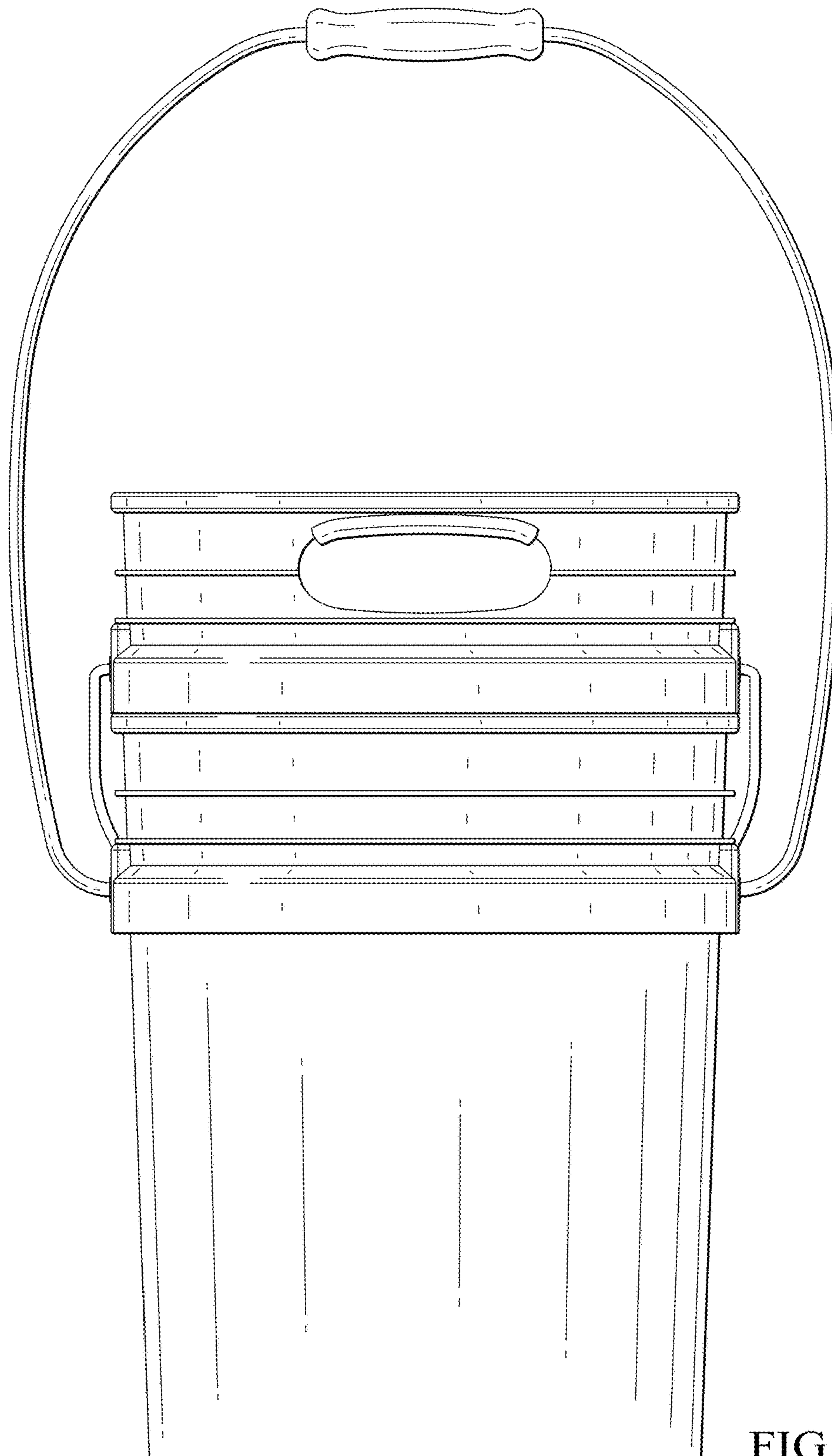


FIG. 3

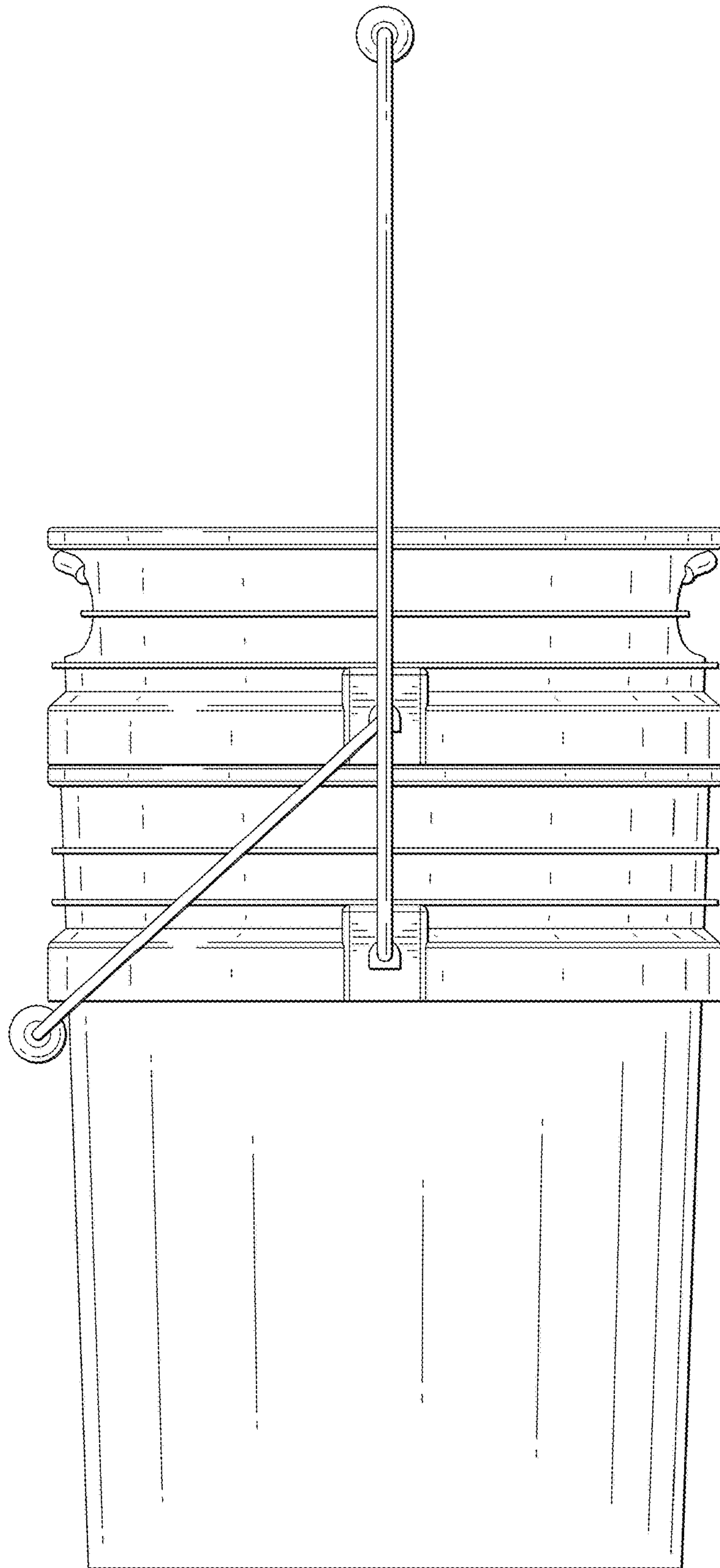


FIG. 4

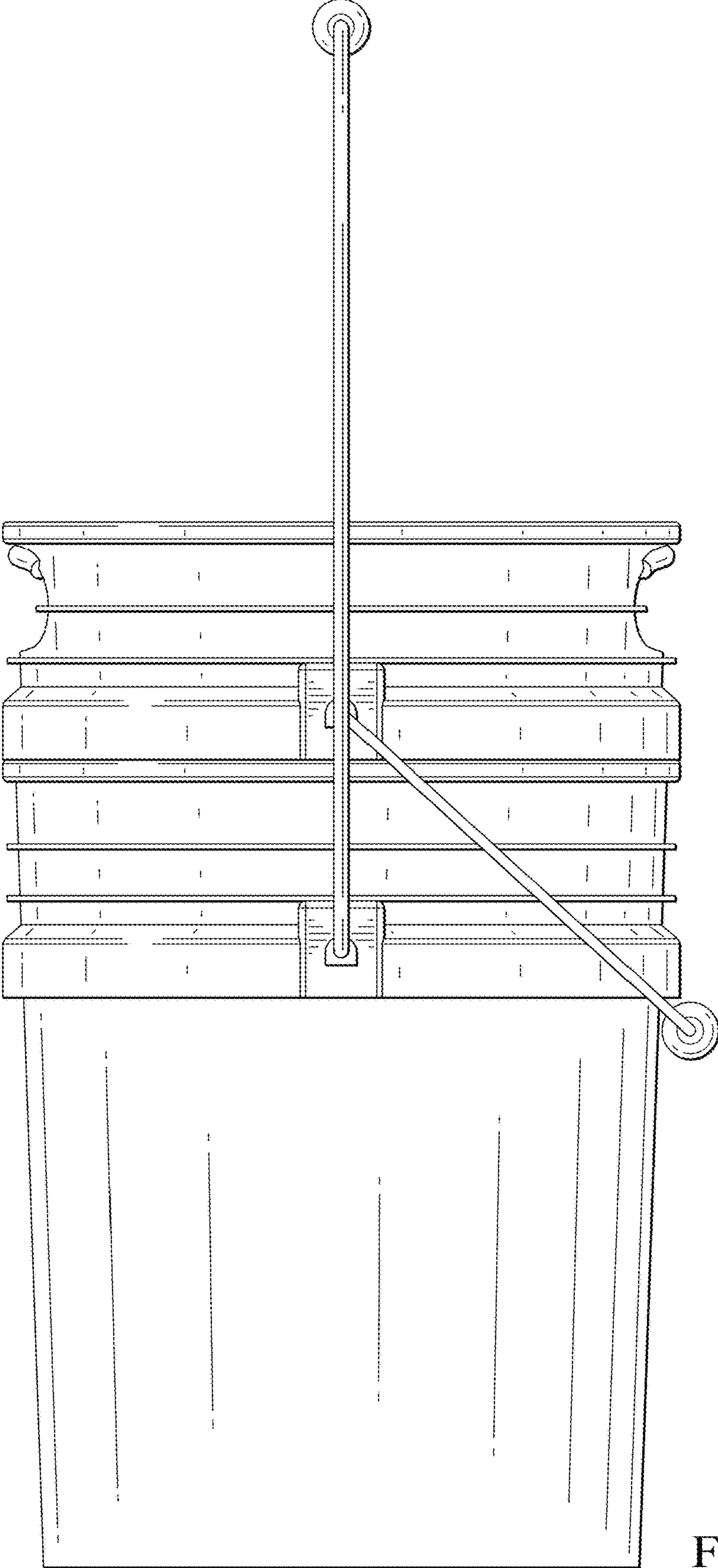


FIG. 5

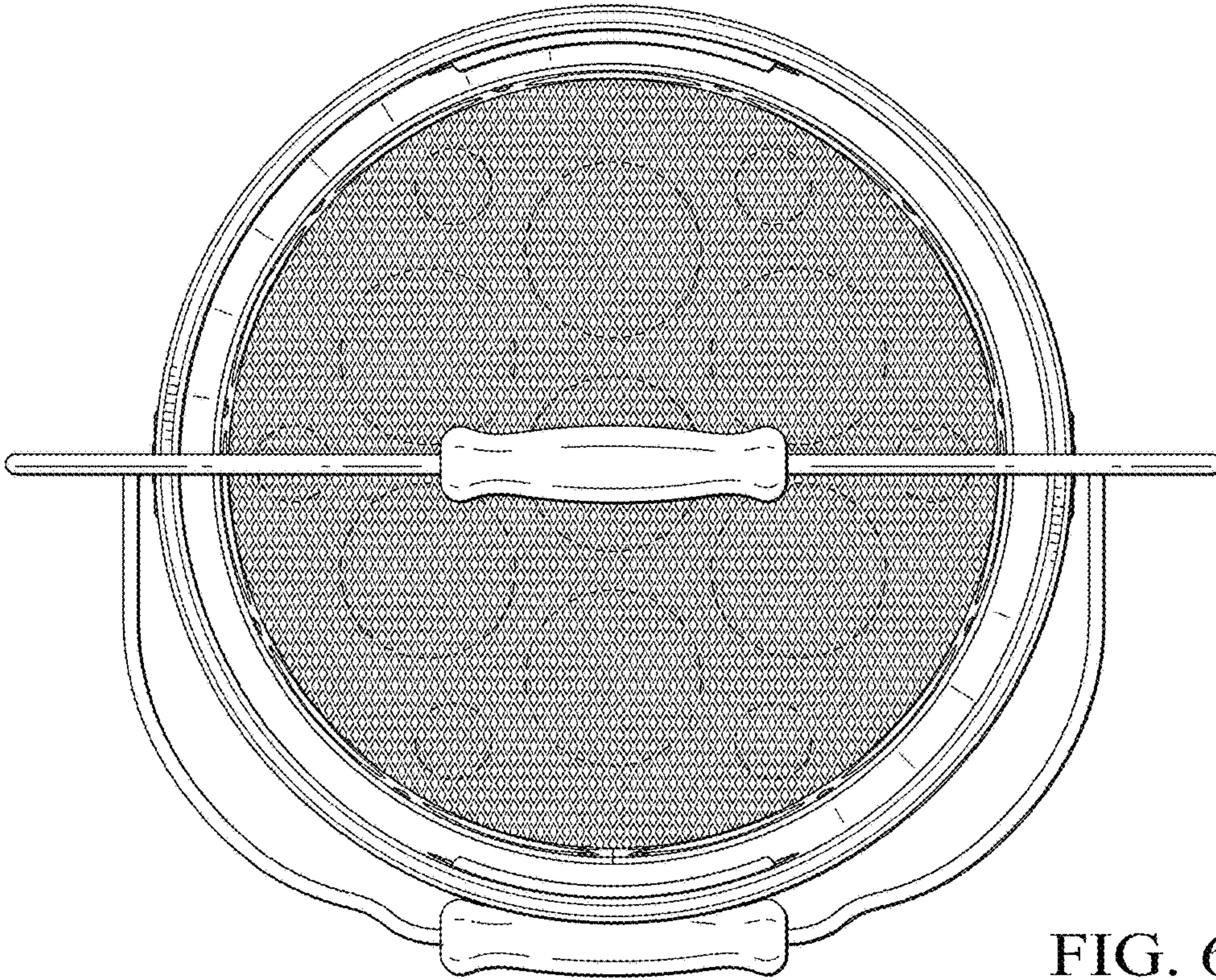


FIG. 6

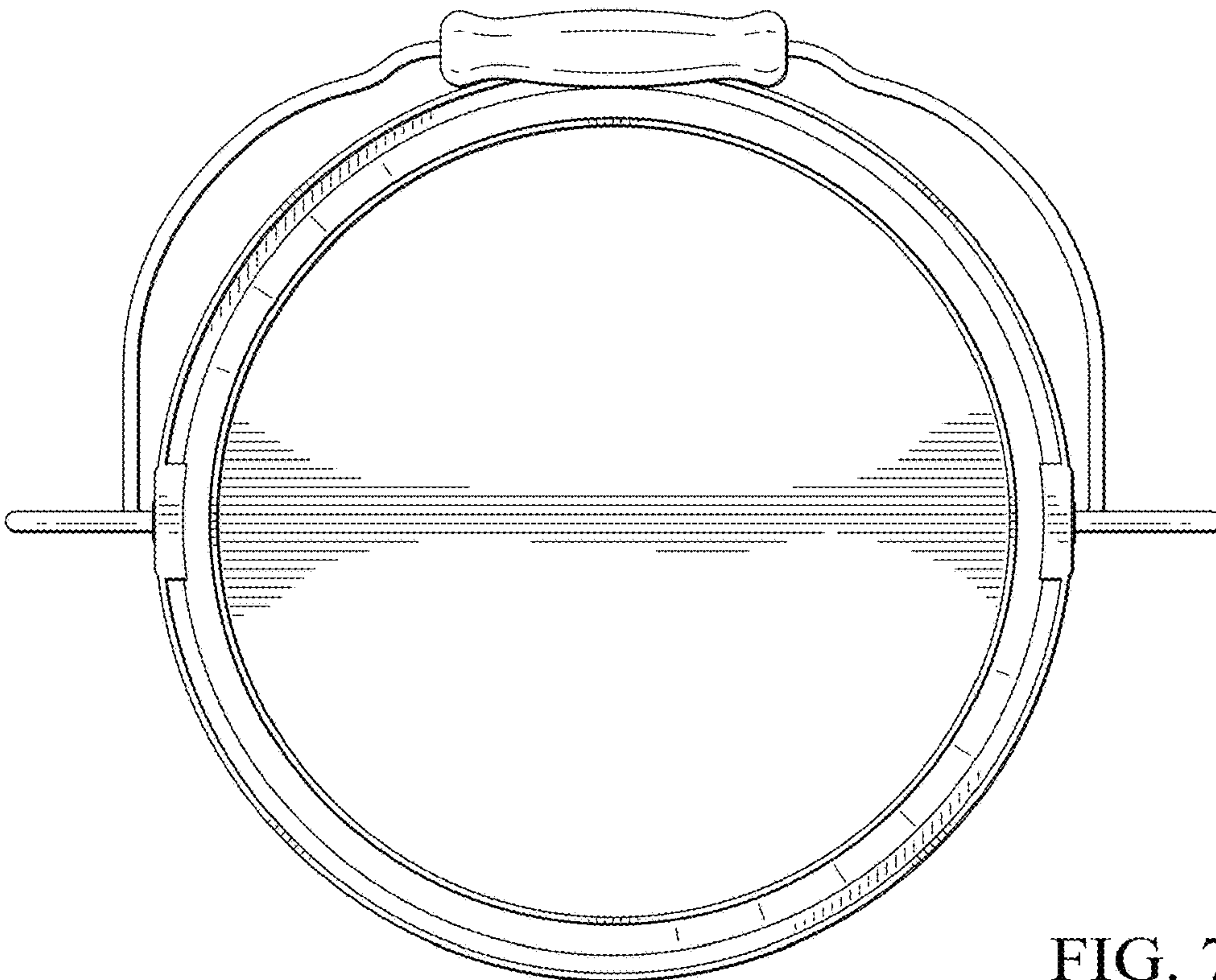


FIG. 7

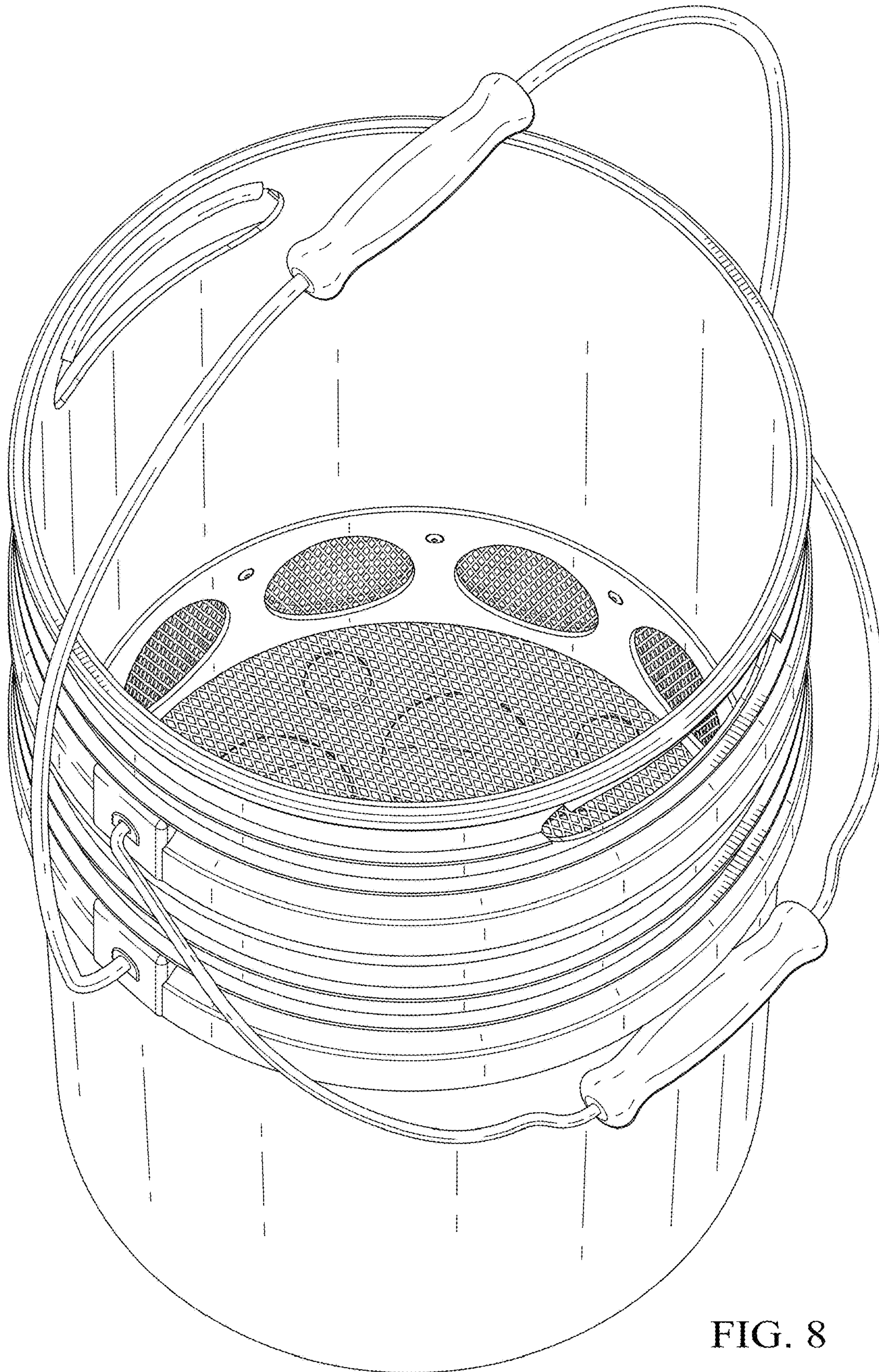


FIG. 8

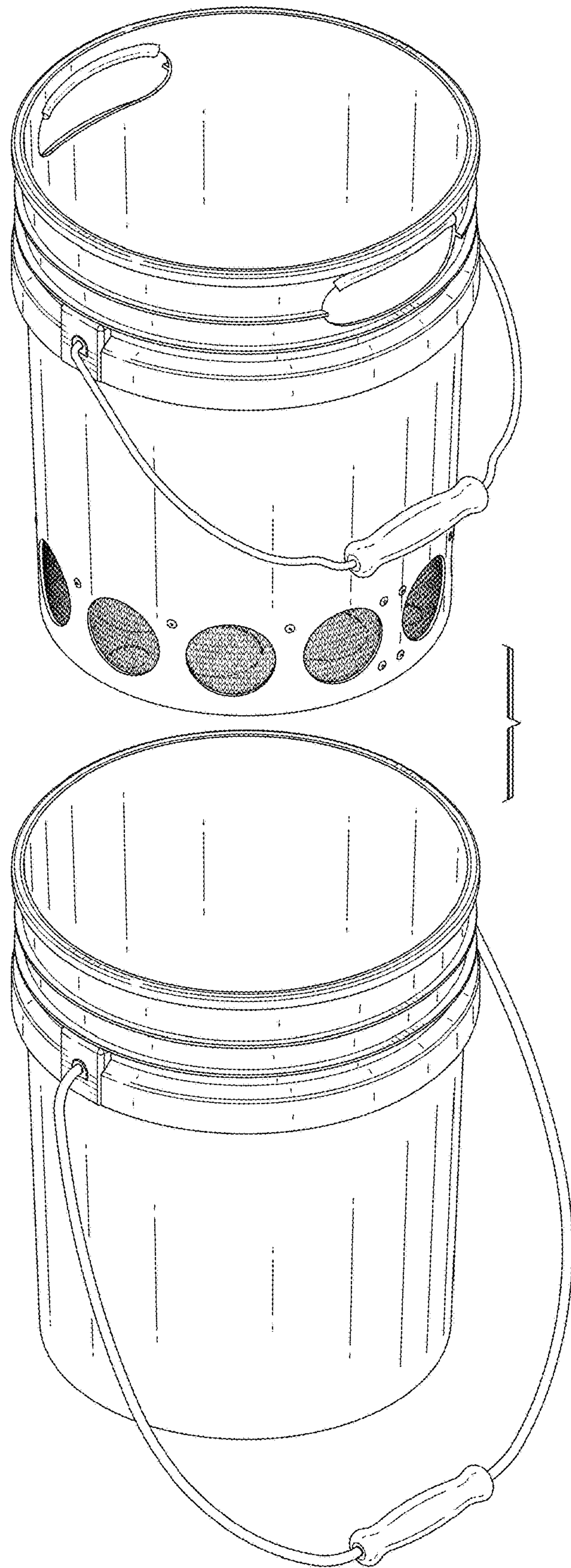


FIG. 9

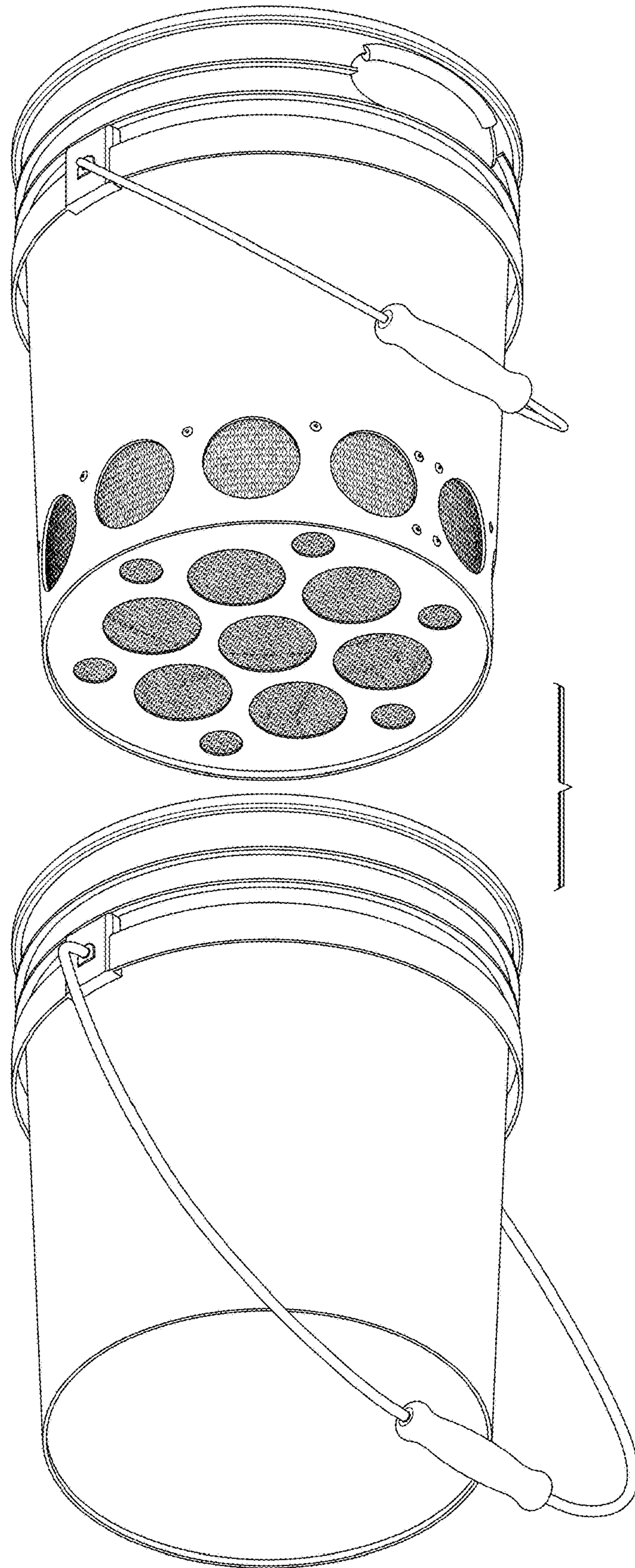


FIG. 10

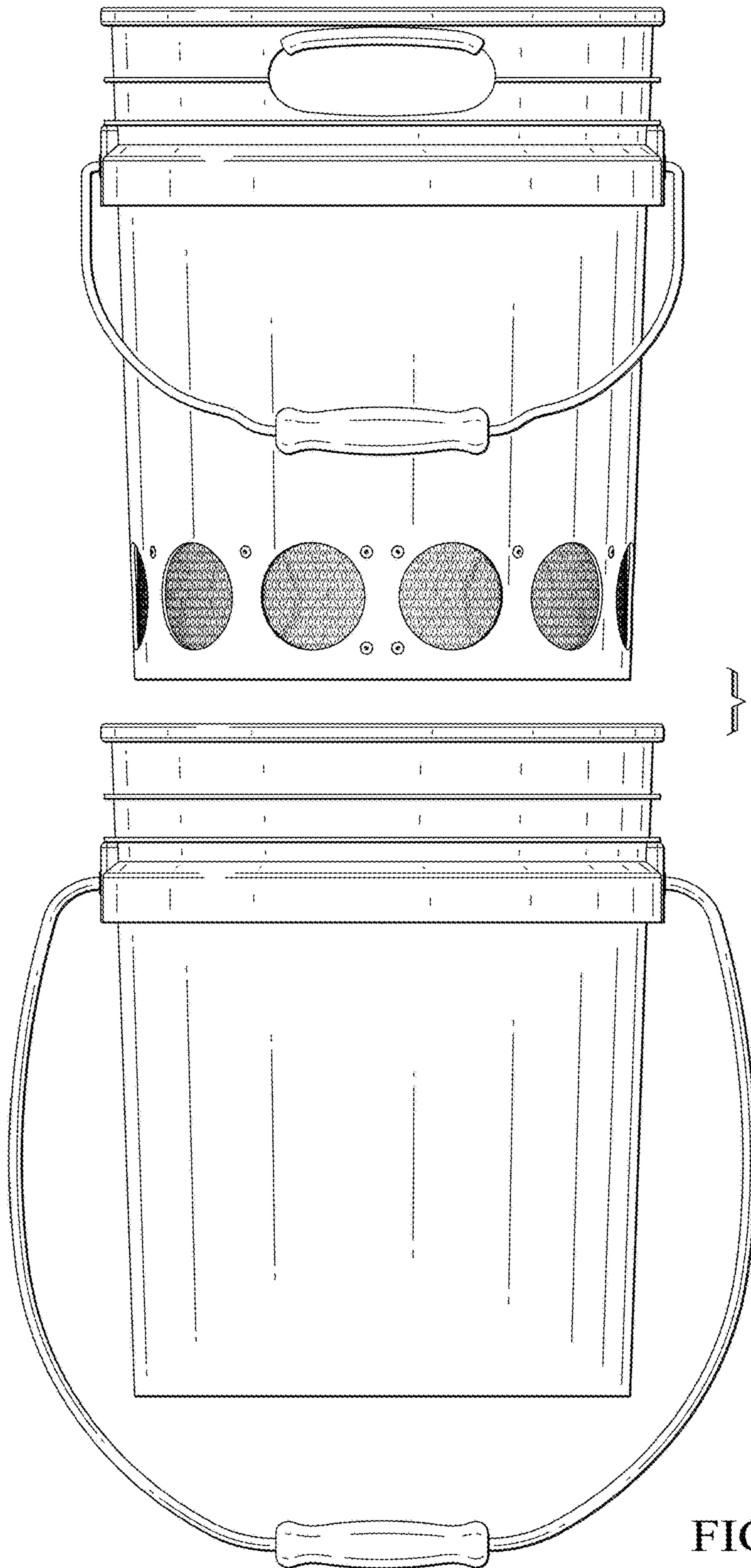


FIG. 11