



US00D864672S

(12) **United States Design Patent** (10) **Patent No.:** **US D864,672 S**
Callinan et al. (45) **Date of Patent:** **** Oct. 29, 2019**

(54) **CONTAINER ENCLOSURE**
(71) Applicant: **Camcal Enterprises, LLC**, Phoenix, AZ (US)
(72) Inventors: **Adam Callinan**, Manhattan Beach, CA (US); **Matthew T. Campbell**, Phoenix, AZ (US)

D324,493 S 3/1992 Nickerson
D343,579 S 1/1994 Halasz et al.
D353,336 S 12/1994 Caliendo et al.
D353,337 S 12/1994 Halasz et al.
D370,632 S 6/1996 Stonehouse
D370,633 S 6/1996 Stonehouse
D371,075 S 6/1996 Stonehouse

(Continued)

(73) Assignee: **Camcal Enterprises, LLC**, Phoenix, AZ (US)

(**) Term: **15 Years**

(21) Appl. No.: **29/694,838**

(22) Filed: **Jun. 13, 2019**

(51) **LOC (12) Cl.** **07-01**

(52) **U.S. Cl.**
USPC **D7/608; D7/510**

(58) **Field of Classification Search**
USPC D7/605-608, 509, 510, 511;
D9/500-505, 443, 516, 532, 522, 558,
D9/772, 763, 773, 779
CPC A47G 19/2205; A47G 2019/2294; A47G
19/23; A47G 19/2272; A47J 41/02; A47J
41/022; A47J 41/024; A47J 41/026; A47J
41/028; A47J 41/00; A47J 41/0077; B65D
81/3823; B65D 81/3818; B65D 81/3846;
B65D 81/3881; B65D 81/3886; B65D
17/4012; B65D 47/286; A45C 11/20
See application file for complete search history.

(56) **References Cited**

U.S. PATENT DOCUMENTS

D262,439 S 12/1981 Atkinson et al.
D263,024 S 2/1982 Atkinson et al.
D275,834 S 10/1984 Slade
D290,688 S 7/1987 Moloney et al.
D310,025 S 8/1990 Foley
D324,492 S 3/1992 Nickerson

FOREIGN PATENT DOCUMENTS

EM 000103262-0001 11/2003
EM 000154299-0002 3/2004

(Continued)

Primary Examiner — Terry A Wallace

(74) *Attorney, Agent, or Firm* — Quarles & Brady LLP

(57) **CLAIM**

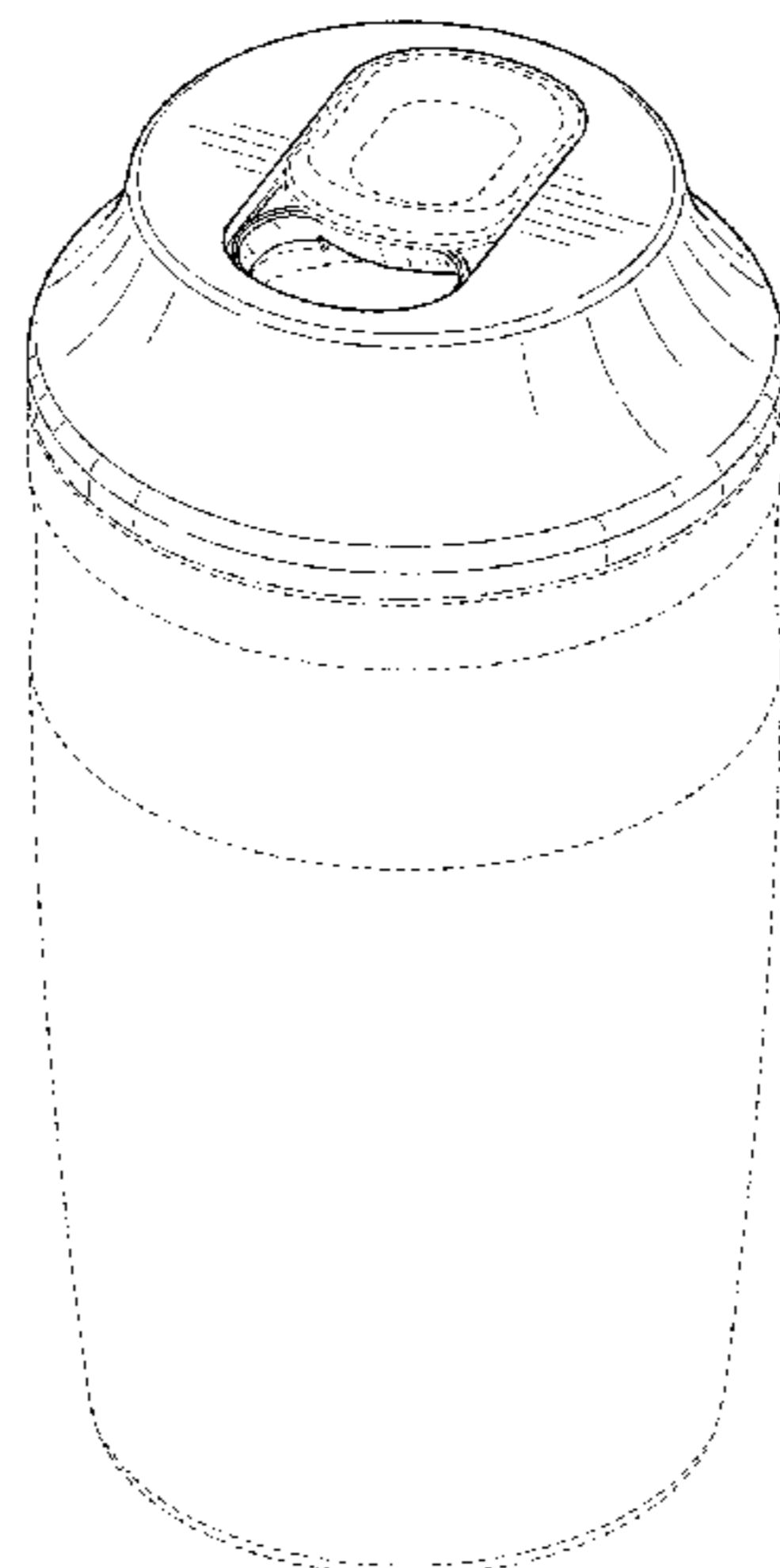
The ornamental design for a container enclosure, as shown and described.

DESCRIPTION

FIG. 1 is an isometric view of a front, top, and right side of an ornamental design for a container enclosure;
FIG. 2 is a front elevational view of the container enclosure of FIG. 1;
FIG. 3 is a rear elevational view of the container enclosure of FIG. 1;
FIG. 4 is a right side elevational view of the container enclosure of FIG. 1;
FIG. 5 is a left side elevational view of the container enclosure of FIG. 1;
FIG. 6 is a top plan view of the container enclosure of FIG. 1; and,
FIG. 7 is a bottom plan view of the container enclosure of FIG. 1.

The dash-dash-dash lines are for the purpose of illustrating environmental structure and form no part of the claimed design. The dash-dot-dash lines form no part of the claimed design and represent boundary lines.

1 Claim, 4 Drawing Sheets



(56)

References Cited

U.S. PATENT DOCUMENTS

D404,974 S	2/1999	Kristinik	
D432,015 S	10/2000	Holiday	
D441,172 S	4/2001	Snyder	
D444,385 S	7/2001	Dixon	
D451,027 S	11/2001	Dugrot	
D513,939 S	* 1/2006	Leonzo	D7/608
D519,313 S	4/2006	Ringuet	
D522,880 S	6/2006	Fuller et al.	
D526,308 S	8/2006	Kasden	
D530,685 S	10/2006	Dupuis	
D531,055 S	10/2006	Munn	
D537,736 S	3/2007	Munn	
D568,151 S	5/2008	Moffat et al.	
D578,392 S	10/2008	Khalil	
D589,757 S	4/2009	Mancha, Jr. et al.	
D589,758 S	4/2009	Mancha et al.	
D590,212 S	4/2009	Mancha, Jr. et al.	
D605,060 S	12/2009	Reimer	
D623,963 S	* 9/2010	Fairchild, Jr.	D9/772
D641,239 S	7/2011	Ramsey et al.	
D641,622 S	7/2011	Fields	
D647,400 S	10/2011	Fields	
D649,049 S	11/2011	Fields	
D653,538 S	2/2012	Toms et al.	
D668,154 S	10/2012	Milne et al.	
D671,843 S	12/2012	Plosky et al.	
D672,235 S	12/2012	Chapin	
D688,553 S	8/2013	Winstanley et al.	
D696,582 S	12/2013	Ramsey et al.	
D704,555 S	5/2014	Hernandez	
D731,311 S	6/2015	Ramsey et al.	
D732,402 S	6/2015	Jones et al.	
D738,225 S	9/2015	Kim et al.	
D738,226 S	9/2015	Kovaleski	
D760,092 S	6/2016	Goldman et al.	
D767,410 S	* 9/2016	Pajauskas	D9/551
D778,734 S	2/2017	Odikor	
D786,703 S	5/2017	Chapman et al.	
D787,952 S	5/2017	Jacober et al.	
D850,291 S	6/2019	Bidzinashvili	

FOREIGN PATENT DOCUMENTS

EM	000175039-0001	5/2004
EM	000228184-0007	9/2004
EM	000230990-0009	9/2004
EM	000237060-0001	9/2004
EM	000310180-0005	3/2005
EM	000439369-0001	11/2005
EM	000556055-0001	6/2006

EM	000564240-0002	7/2006
EM	000673348-0005	2/2007
EM	000692223-0004	3/2007
EM	000813878-0001	10/2007
EM	000856315-0003	1/2008
EM	000863105-0001	1/2008
EM	000966098-0001	7/2008
EM	001730847-0002	7/2010
EM	001758970-0001	9/2010
EM	001814138-0002	2/2011
EM	001825175-0001	2/2011
EM	001263628-0001	3/2011
EM	001845280-0001	4/2011
EM	001859356-0001	5/2011
EM	001901588-0003	8/2011
EM	001953605-0003	11/2011
EM	001958539-0001	12/2011
EM	001959271-0001	12/2011
EM	001960295-0002	12/2011
EM	002031997-0004	4/2012
EM	002036848-0001	5/2012
EM	002091363-0001	8/2012
EM	002134718-0005	11/2012
EM	002157305-0002	12/2012
EM	002186544-0006	2/2013
EM	002202093-0001	3/2013
EM	002221531-0002	4/2013
EM	002238402-0002	5/2013
EM	002245621-0001	5/2013
EM	002286732-0001	8/2013
EM	002306084-0008	9/2013
EM	002306183-0001	9/2013
EM	002326587-0001	10/2013
EM	001404107-0001	2/2014
EM	0025289270001	9/2014
EM	0026034640001	12/2014
EM	002653469-0002	3/2015
EM	002659086-0001	3/2015
EM	002659268-0001	3/2015
EM	002659300-0001	3/2015
EM	002711879-0001	6/2015
EM	002733584-0004	7/2015
EM	001439202-0004	9/2015
EM	003056654-0002	4/2016
EM	003061159-0002	4/2016
EM	003061258-0003	4/2016
EM	003526227-0003	12/2016
EM	003825249-0003	3/2017
WO	030087-001	7/1994
WO	061988-001	10/2002
WO	067852-005	9/2004
WO	081845-008	10/2013

* cited by examiner

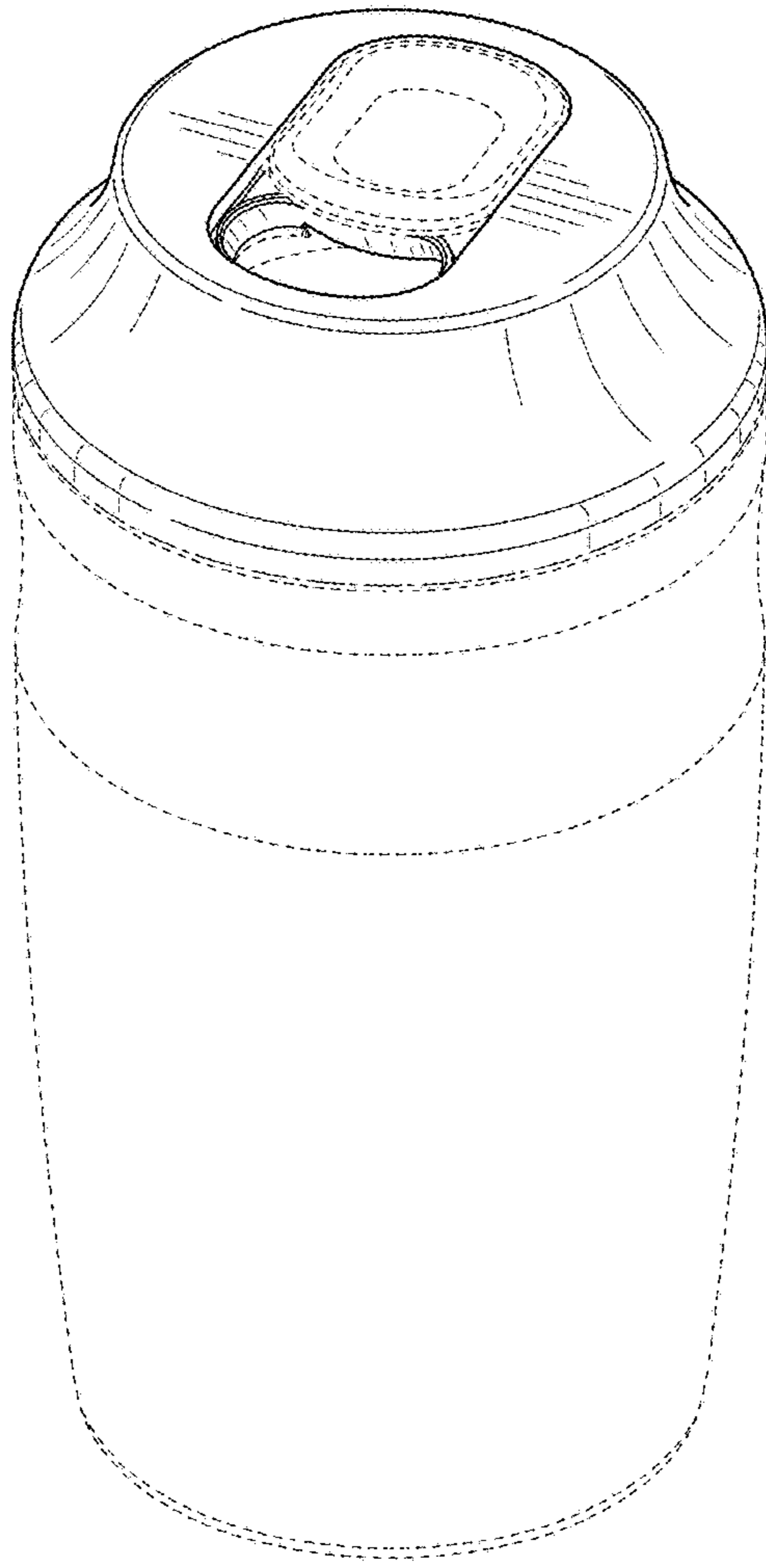


FIG. 1

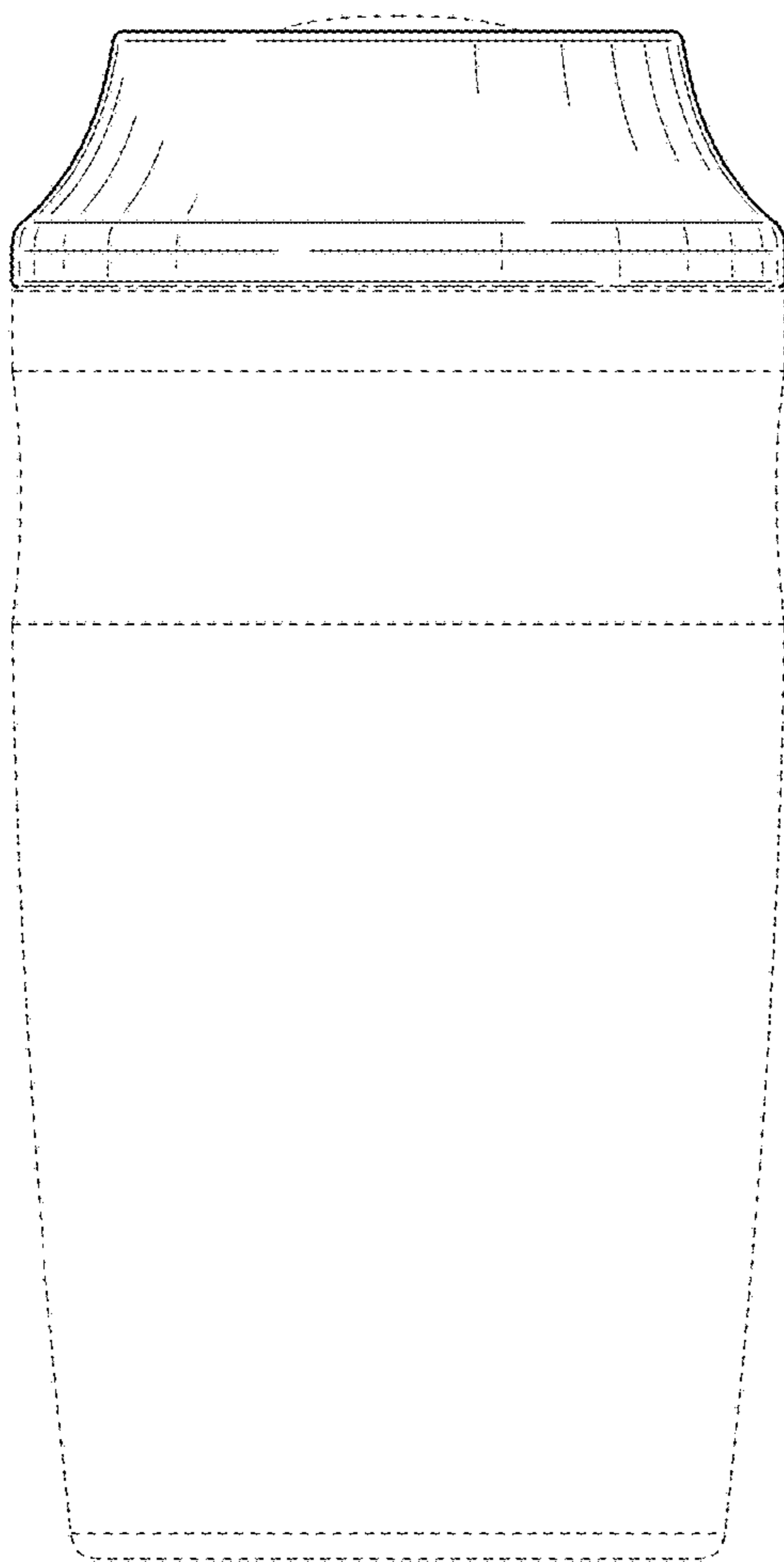


FIG. 2

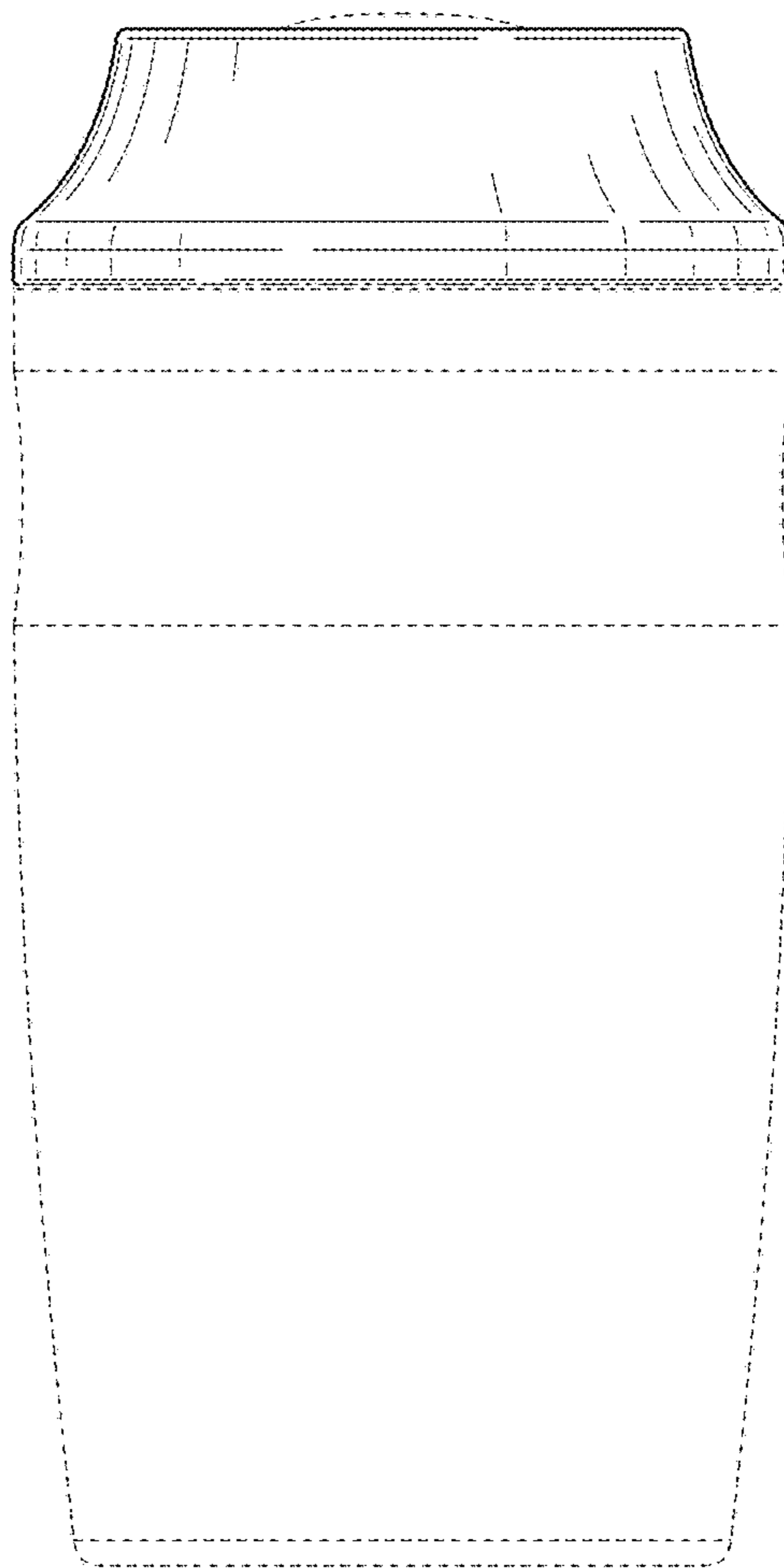


FIG. 3

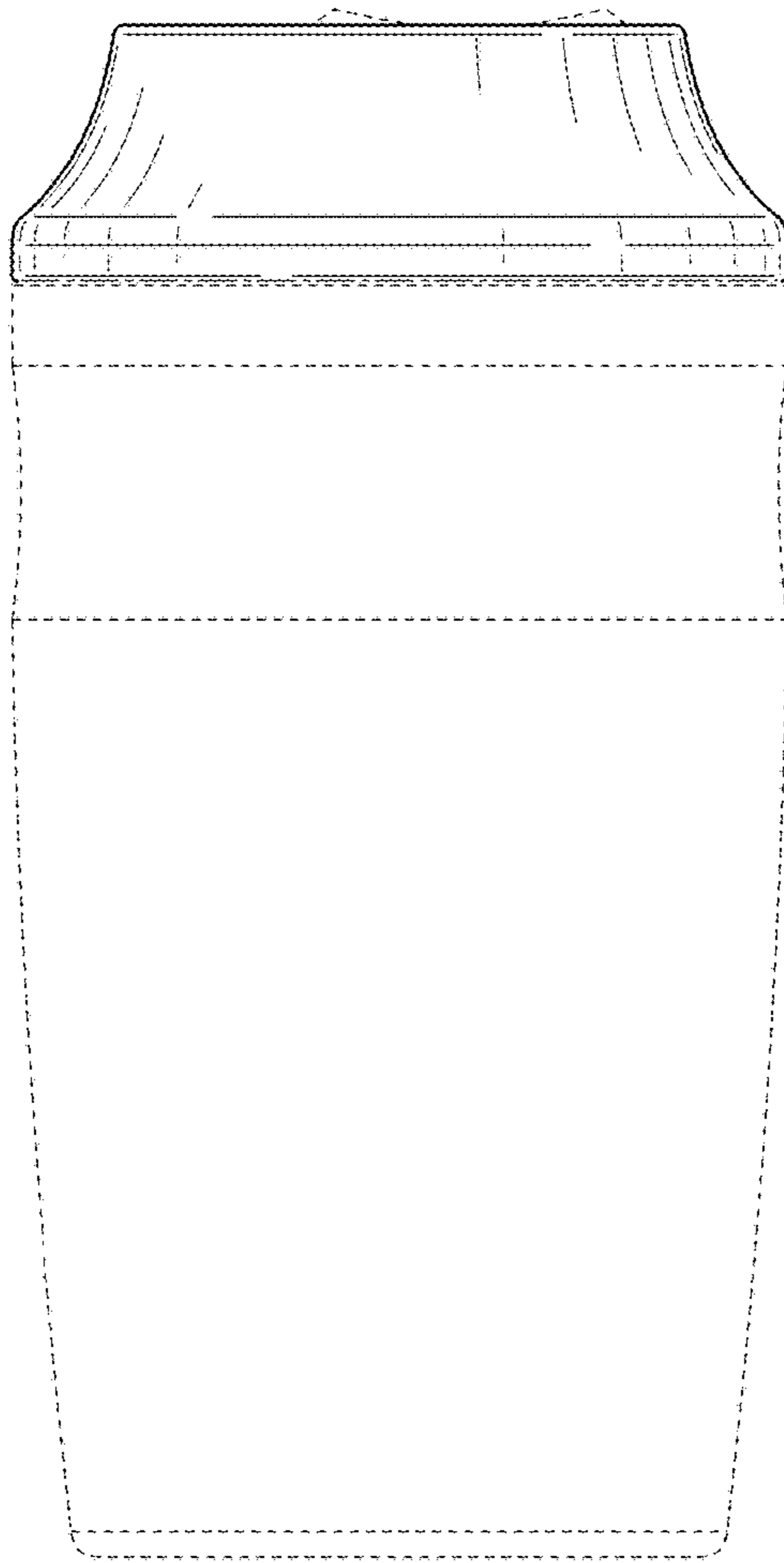


FIG. 4

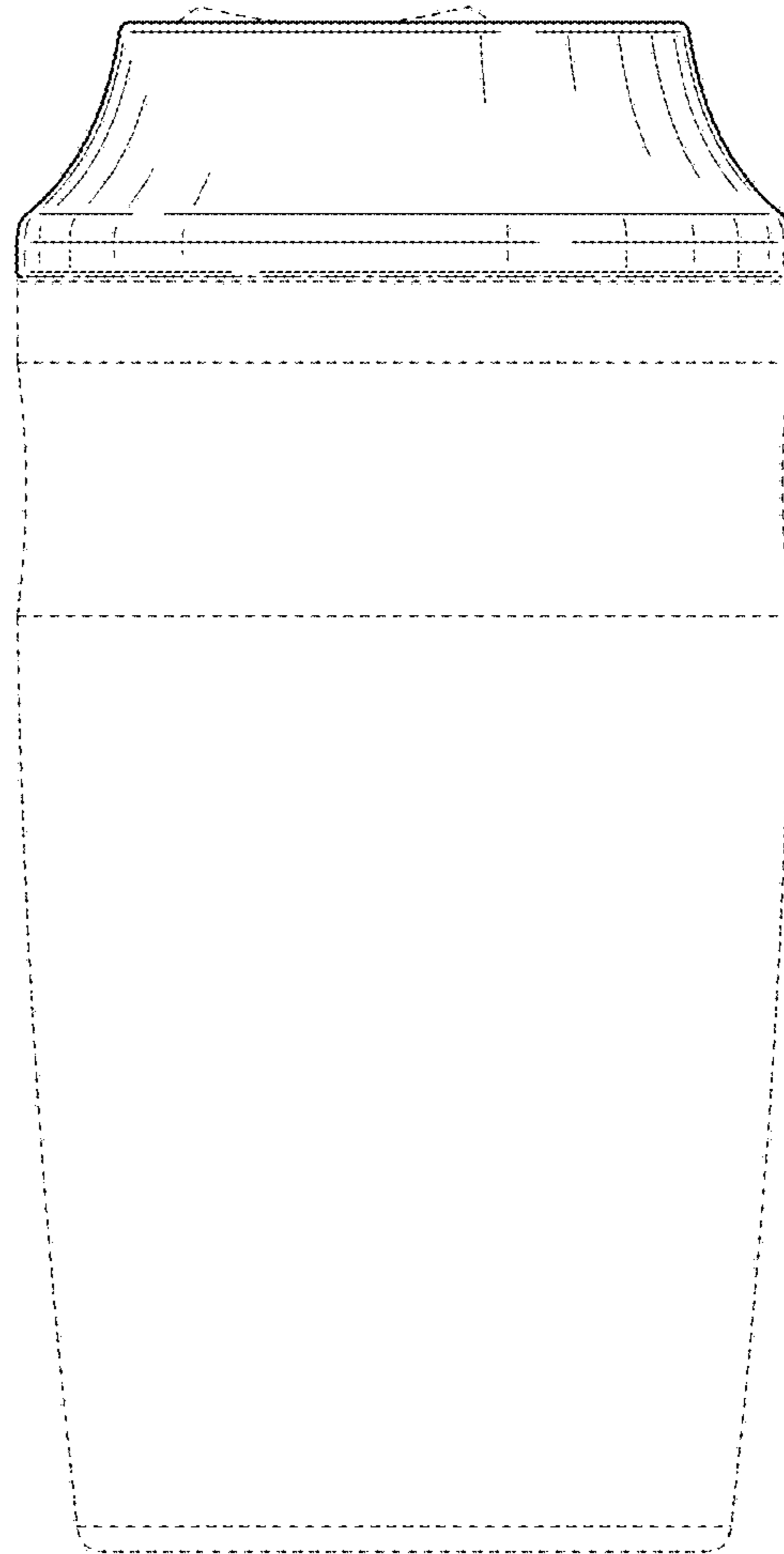


FIG. 5

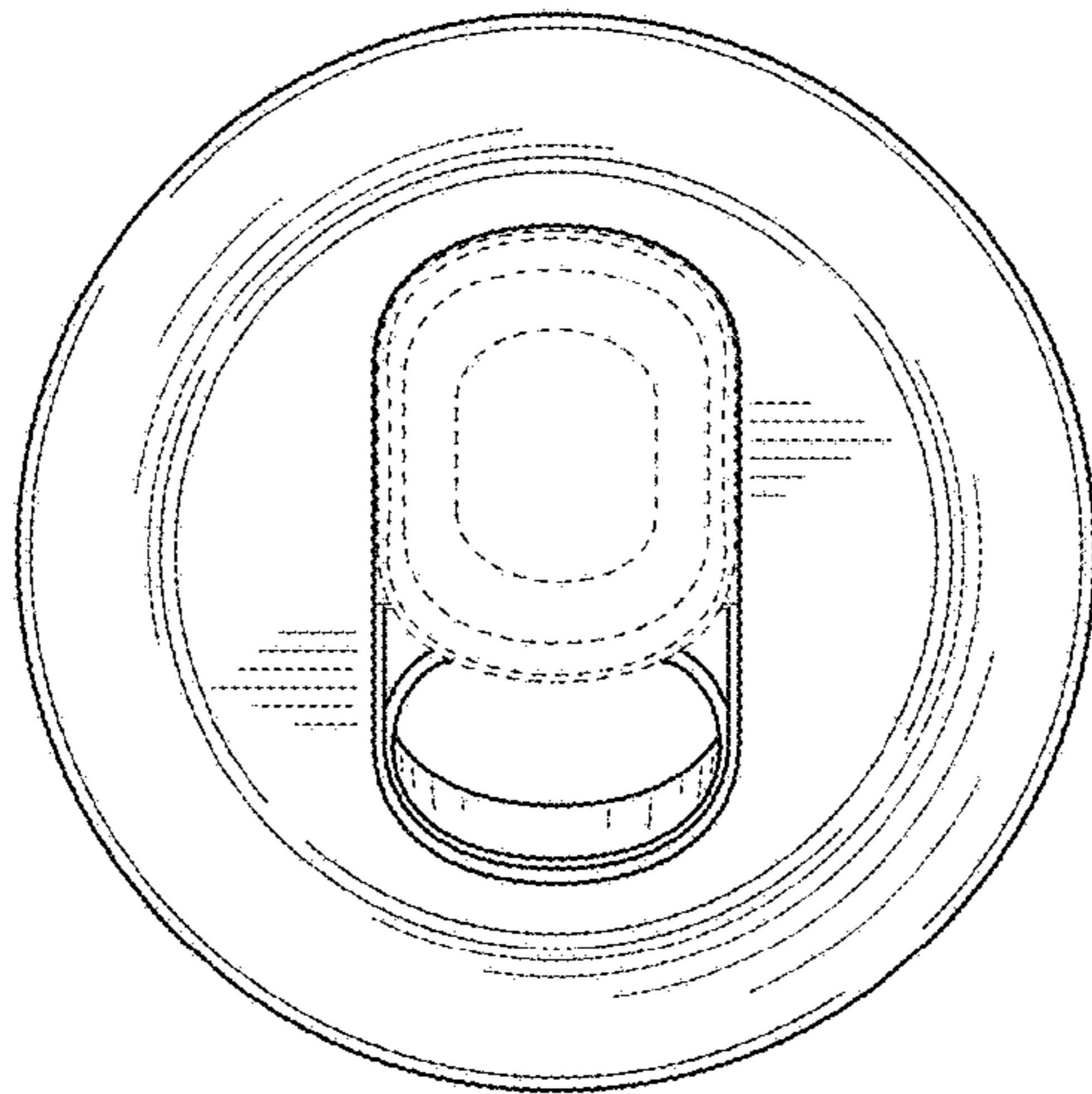


FIG. 6

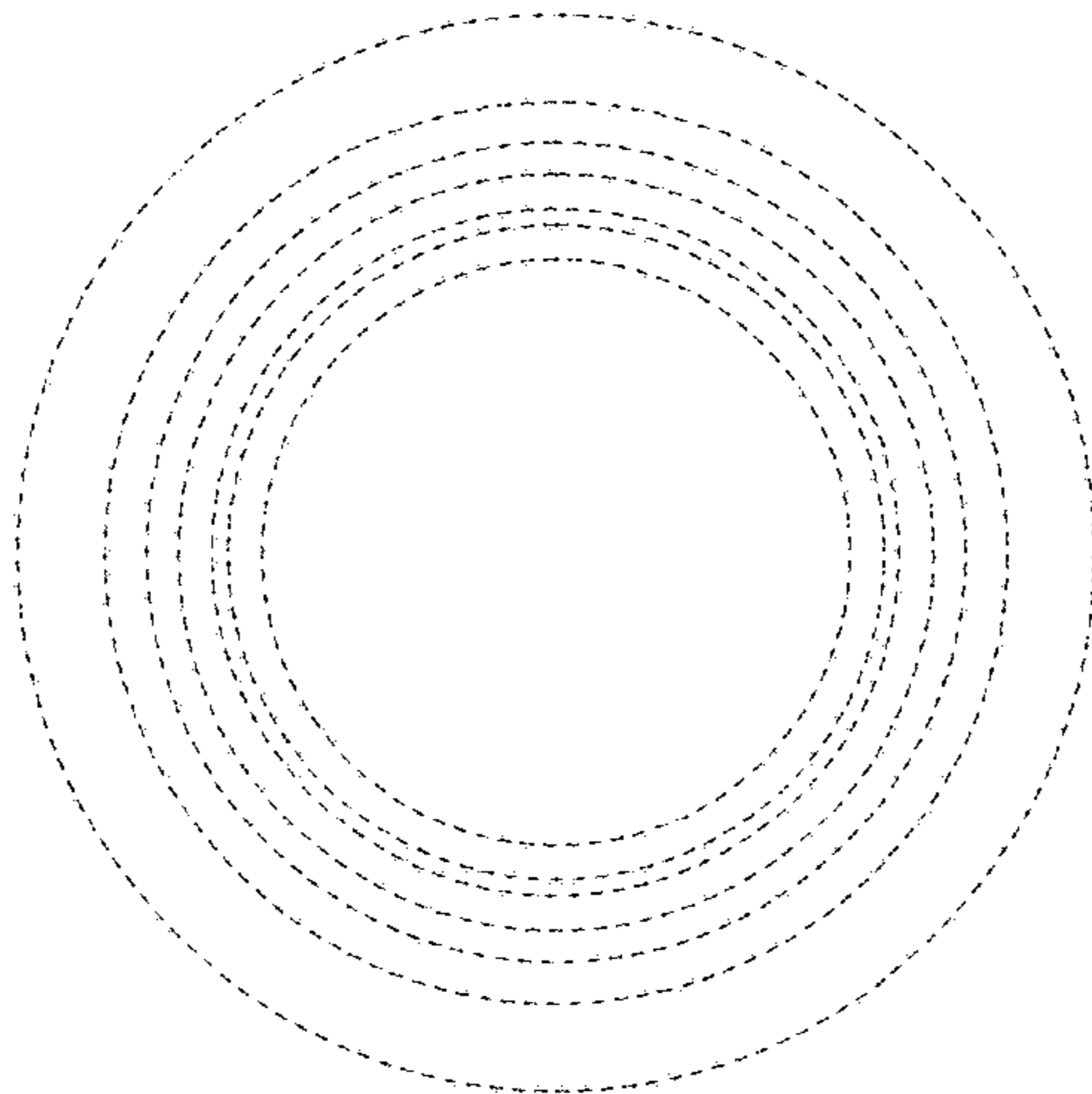


FIG. 7