



US00D864665S

(12) **United States Design Patent**
Stuart et al.

(10) **Patent No.:** **US D864,665 S**

(45) **Date of Patent:** **** Oct. 29, 2019**

(54) **TIERED FAJITA SERVER**

(71) Applicants: **Breanne Kinte Stuart**, Hartland, MI
(US); **Brian Michael Stuart**, Hartland,
MI (US)

(72) Inventors: **Breanne Kinte Stuart**, Hartland, MI
(US); **Brian Michael Stuart**, Hartland,
MI (US)

(**) Term: **15 Years**

(21) Appl. No.: **29/640,879**

(22) Filed: **Mar. 17, 2018**

(51) **LOC (12) Cl.** **07-01**

(52) **U.S. Cl.**
USPC **D7/505**; D7/610; D6/677.3; D6/678.4;
D6/680.3

(58) **Field of Classification Search**
USPC D7/538, 539, 558, 559, 504, 505, 610,
D7/553.6, 552.2; D9/451, 439, 441, 440,
D9/448, 454; 220/574; D6/681.3, 680.3,
D6/678.4
CPC A47G 19/08; A47B 96/021
See application file for complete search history.

(56) **References Cited**

U.S. PATENT DOCUMENTS

1,401,057	A *	12/1921	Elliott	A47B 87/0223	108/101
2,623,399	A *	12/1952	Barrett	E21C 25/36	474/223
2,902,174	A *	9/1959	Audsley	A47G 23/08	108/101
D198,096	S *	4/1964	Rosenthal	D7/505	
3,139,189	A *	6/1964	Kolarik	A47F 5/02	108/25
D227,627	S *	7/1973	Stevenson	D7/610	
3,951,079	A *	4/1976	Tolleson	A47F 5/02	108/94

D244,971	S *	7/1977	Naumoff	D6/405	
D250,372	S *	11/1978	Szabo	D6/681.3	
D328,536	S *	8/1992	Ma	D6/405	
5,598,662	A *	2/1997	Droste	A47G 7/041	47/39
5,894,944	A *	4/1999	Swift	A47G 23/08	211/128.1
D413,046	S *	8/1999	Fritze	D7/505	
D482,212	S *	11/2003	Nakaoka	D6/405	
7,172,323	B1 *	2/2007	Knoble	G02B 6/001	362/555
D560,974	S *	2/2008	Goode	D7/500	
D571,575	S *	6/2008	Hunter	D6/405	

(Continued)

Primary Examiner — Marianne N Pandozzi

(74) *Attorney, Agent, or Firm* — HeedLaw Group, PLLC;
Thomas P. Heed

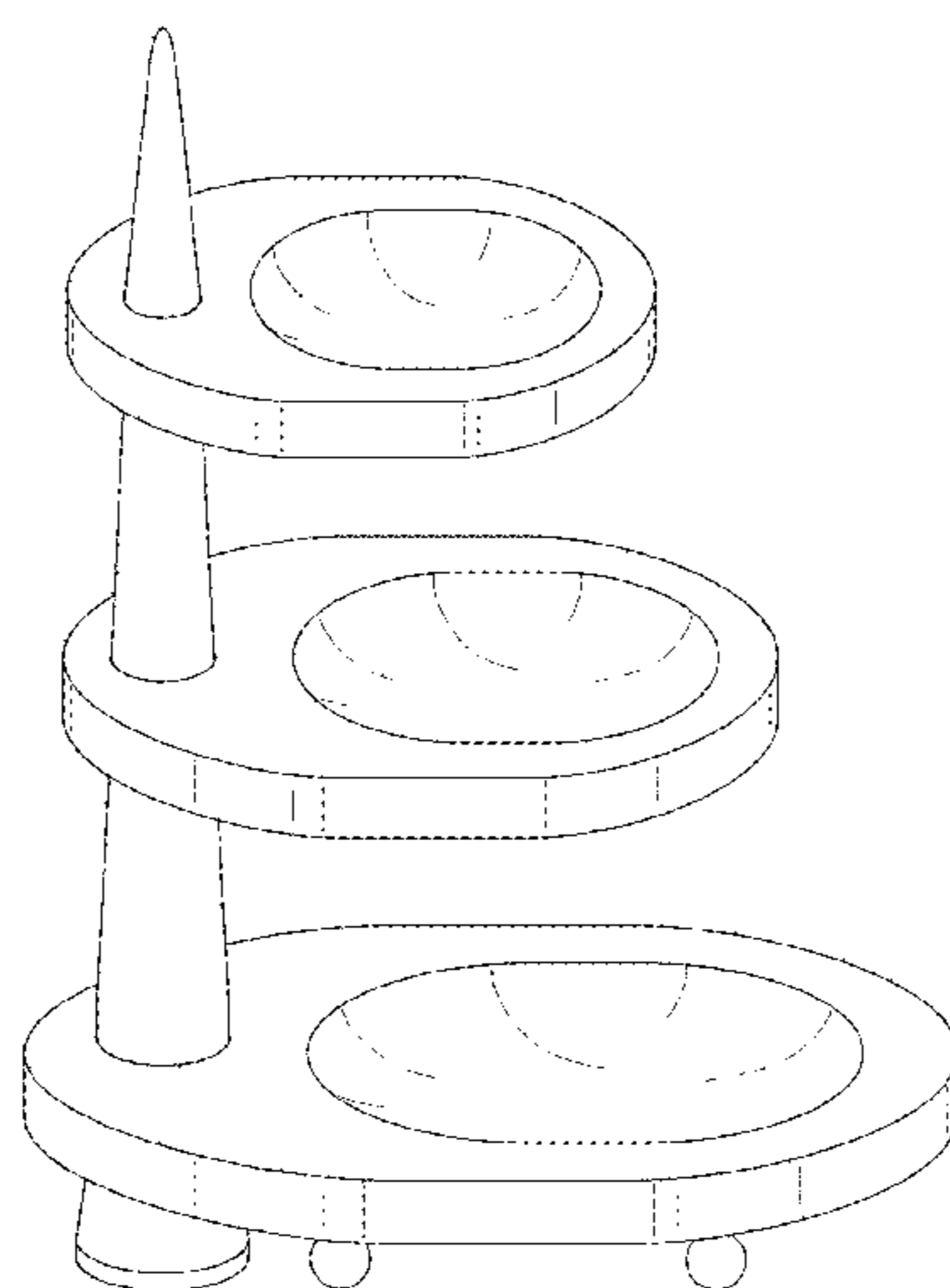
(57) **CLAIM**

The ornamental design for a tiered fajita server, as shown and described.

DESCRIPTION

FIG. 1 is a perspective front view of the center stack support of the tiered fajita server showing our new design with the rest of server removed for convenience of illustration; FIG. 2 is a perspective front view of the base serving dish of the tiered fajita server with the rest of the server removed for convenience of illustration; FIG. 3 is a perspective front view of the middle serving dish of the tiered fajita server with the rest of the server removed for convenience of illustration; FIG. 4 is a perspective front view of the top serving dish of the tiered fajita server with the rest of the server removed for convenience of illustration; FIG. 5 is a perspective front view of the entire tiered fajita server; and, FIG. 6 is a perspective front view of the entire tiered fajita server in an alternate position.

1 Claim, 4 Drawing Sheets



(56)

References Cited

U.S. PATENT DOCUMENTS

D574,166 S * 8/2008 Kaisler D6/681.3
D574,944 S * 8/2008 Arnold, Jr. F23J 13/08
D23/374
8,240,488 B2 * 8/2012 Huang B05B 13/0292
211/107
D697,341 S * 1/2014 Fakahany D6/677.3
10,080,336 B2 * 9/2018 Higgins A01G 31/06
10,154,744 B1 * 12/2018 Stuart A47G 23/06

* cited by examiner

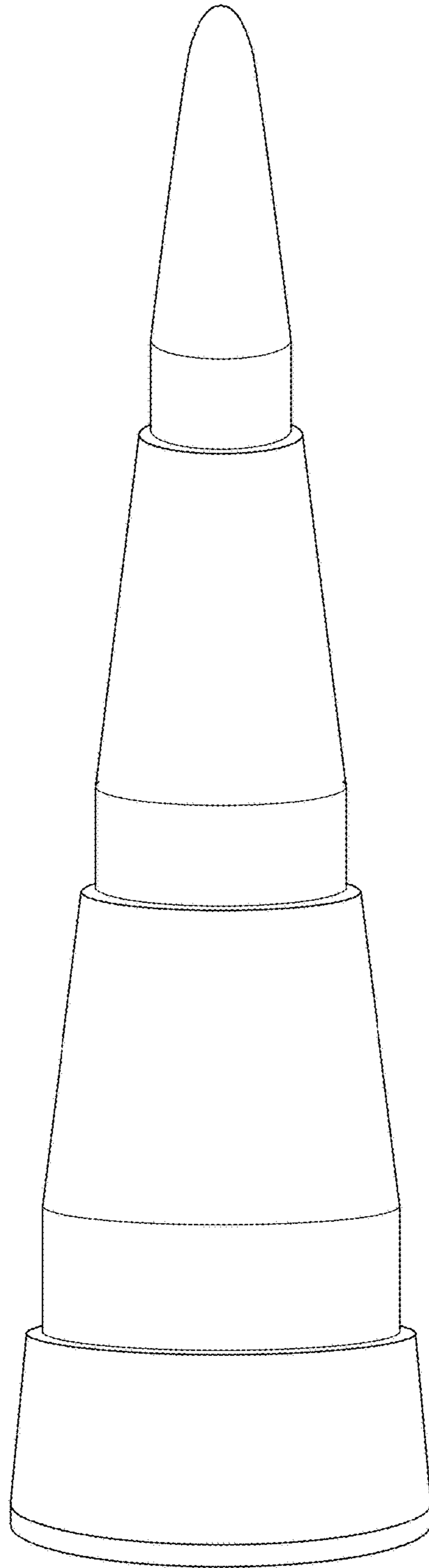


FIG. 1

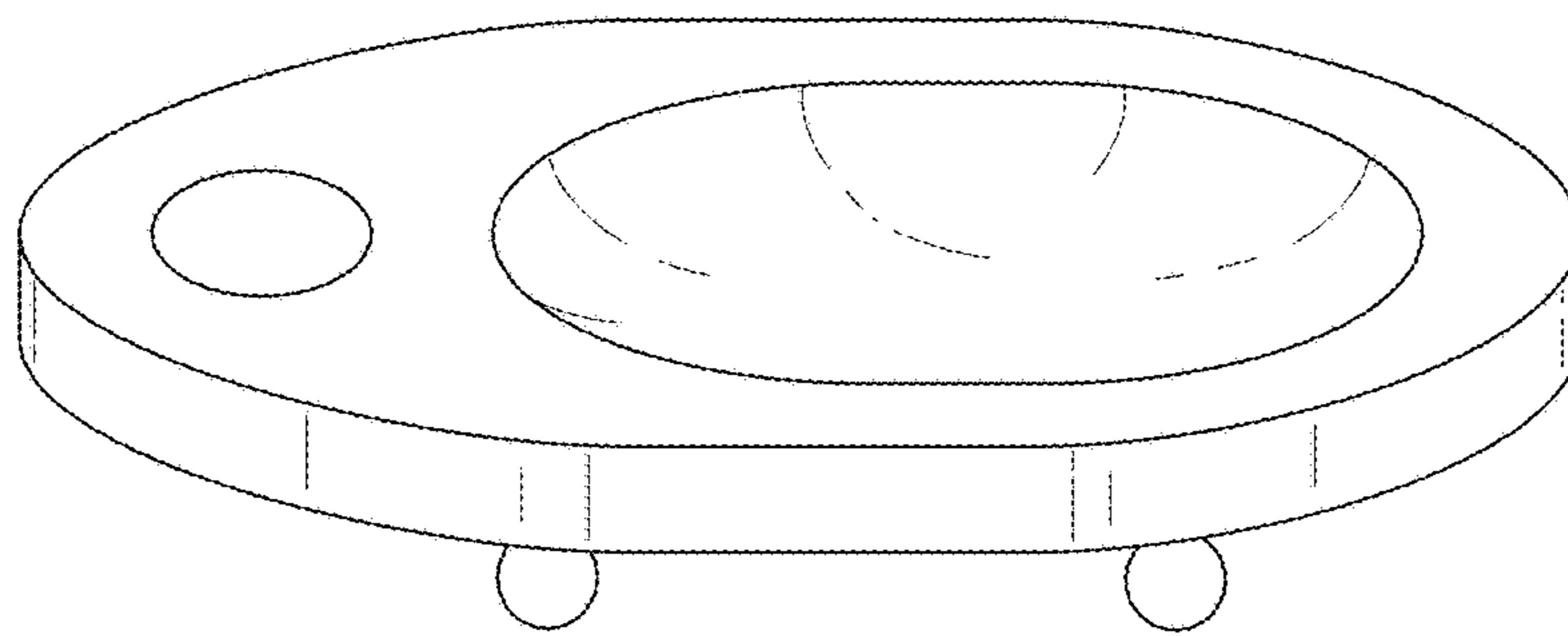


FIG. 2

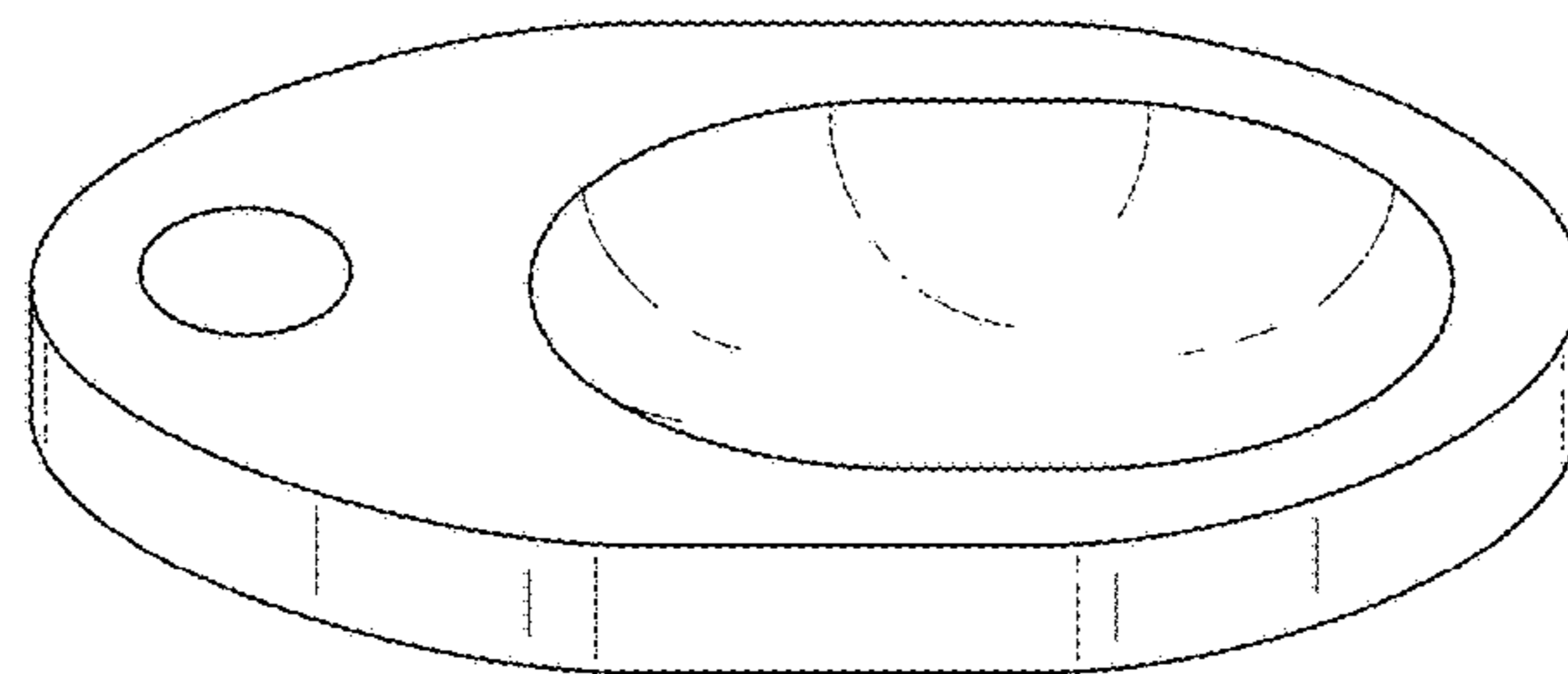


FIG. 3

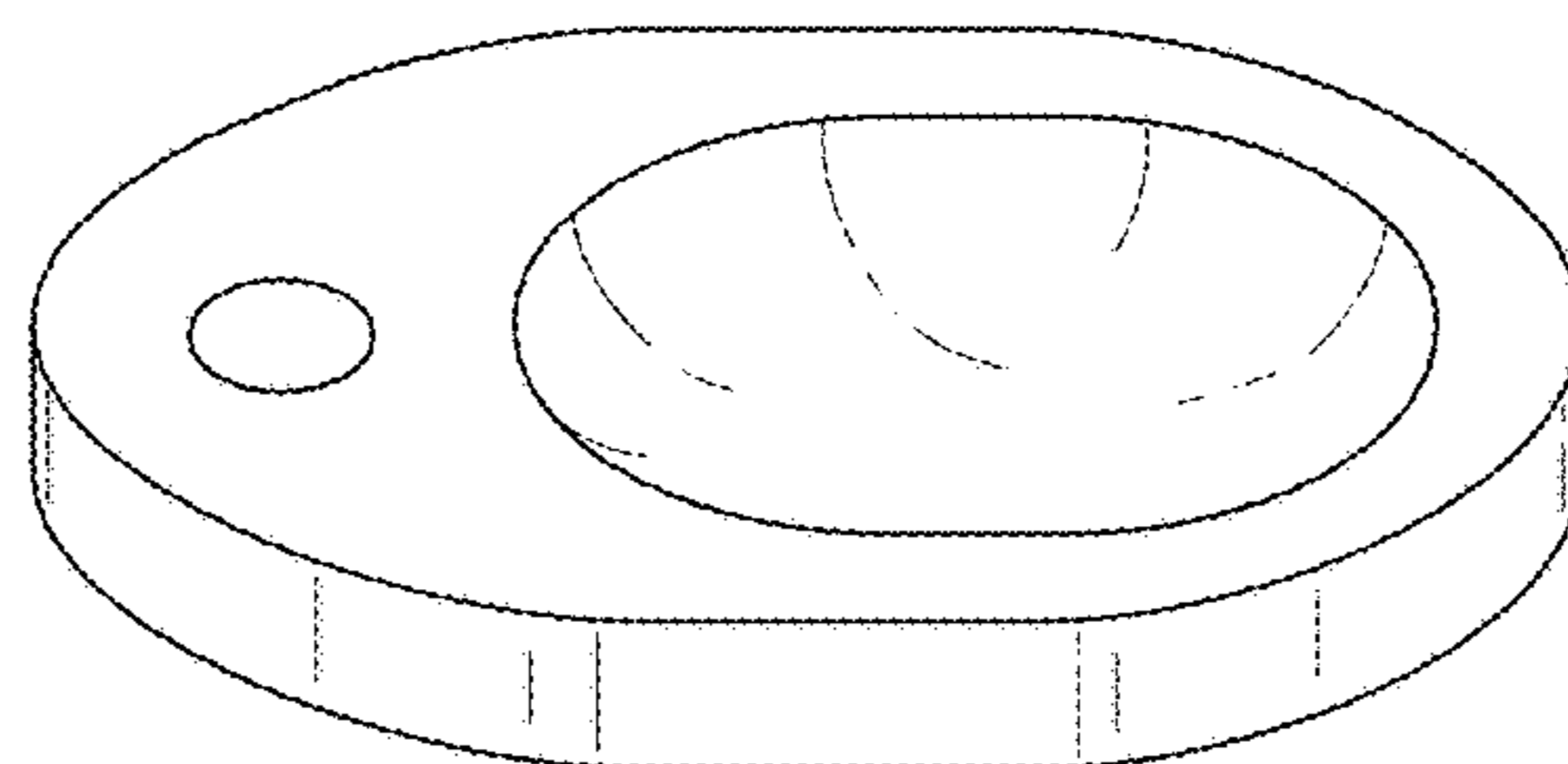


FIG. 4

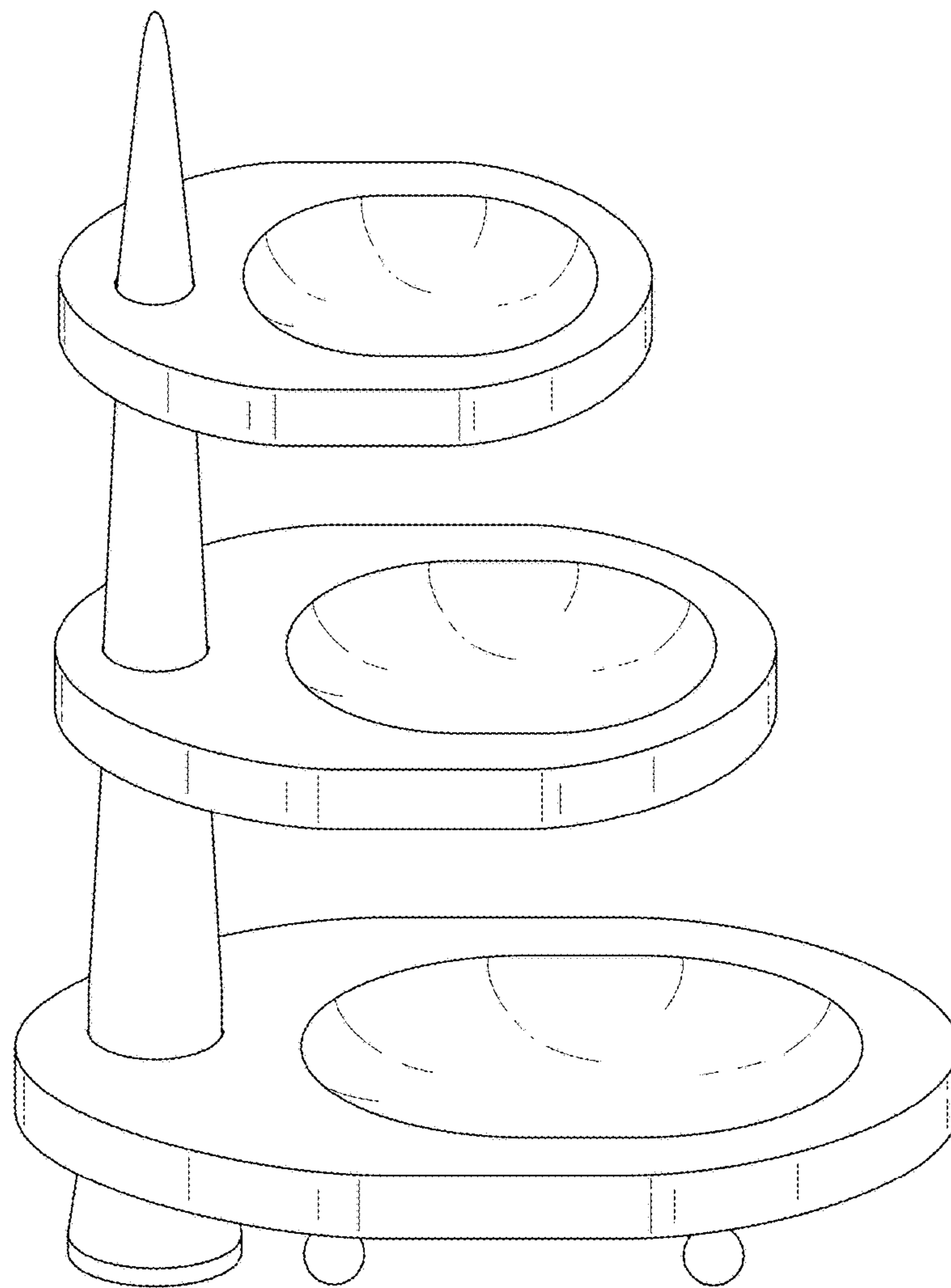


FIG. 5

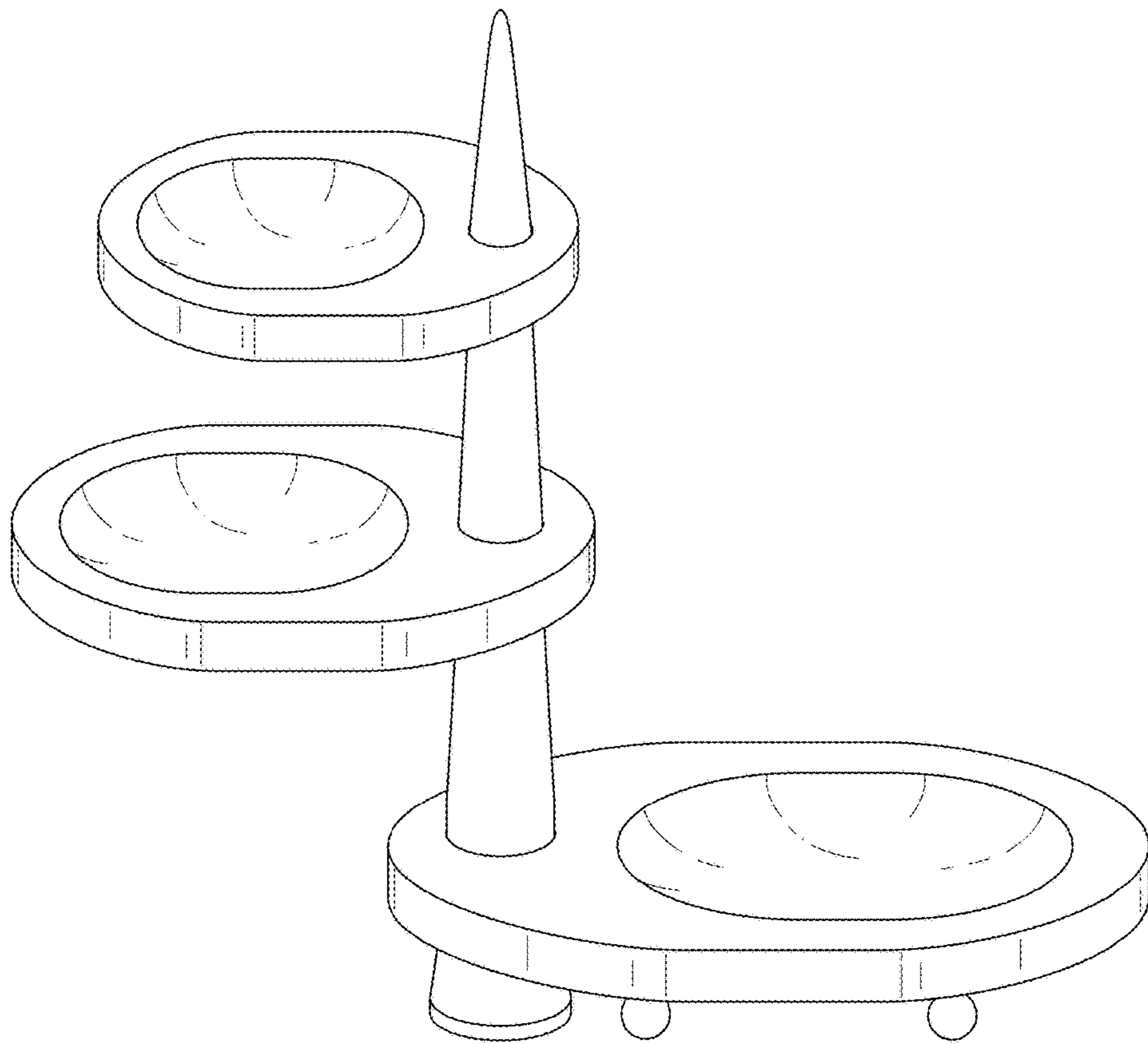


FIG. 6