



US00D864660S

(12) **United States Design Patent**
Omdahl, II et al.

(10) **Patent No.:** **US D864,660 S**

(45) **Date of Patent:** **** Oct. 29, 2019**

(54) **CLOSURE**

(71) Applicant: **Runway Blue, LLC**, Lehi, UT (US)

(72) Inventors: **John R. Omdahl, II**, Lindon, UT (US);
David O. Meyers, East Layton, UT (US)

(73) Assignee: **Runway Blue, LLC**, Alpine, UT (US)

(**) Term: **15 Years**

(21) Appl. No.: **29/592,736**

(22) Filed: **Feb. 1, 2017**

(51) **LOC (12) Cl.** **07-99**

(52) **U.S. Cl.**
USPC **D7/396.2**

(58) **Field of Classification Search**
USPC D7/300, 300.1, 313, 314, 316, 323, 354,
D7/387, 391, 392, 392.1, 396.1, 396.2,
D7/396, 401.1, 503, 509-511, 523, 526,
D7/527, 528, 536, 538, 552.1, 553.1,
D7/553.2, 554, 589, 600.1, 602, 614, 704,
D7/900; D3/202; D9/434, 435, 436,
D9/437, 438, 439, 440, 442, 443, 445,
D9/446, 447, 449, 450, 452, 453, 454,
D9/499, 686, 688, 690, 708, 709, 723,
D9/724, 763, 772; D23/206, 249, 259,
D23/260; D24/121, 122, 127, 199
CPC B65D 47/065; B65D 43/02; B65D 43/16;
B65D 43/22; B65D 43/26; B65D
47/0885; B65D 47/08; B65D 51/212;
B65D 51/18; B65D 51/04; B65D 51/24;
B65D 43/0202; B65D 47/265; B65D
51/16; B65D 51/242; B65D 51/243;
B65D 51/224; B65D 21/0217; B65D
2101/0015; B65D 2251/0093; B65D
1/165; B65D 1/0207; B65D 1/0246;
B65D 85/72; B65D 17/165; B65D 41/04;
A45F 3/18; A47G 19/00; A47G 19/2272;
A47G 19/2266; A47G 19/2288; A47G
21/18; A47G 19/2205; A47G 19/2222;
A47G 19/2294

See application file for complete search history.

(56) **References Cited**

U.S. PATENT DOCUMENTS

D632,521 S *	2/2011	Wahl	D7/392.1
D637,490 S *	5/2011	McKinney	D9/447
D707,124 S *	6/2014	Blain	D9/443
D719,827 S *	12/2014	Duran	D9/447
D725,436 S *	3/2015	Miller	D7/396.2
D742,230 S *	11/2015	Charles	D7/396.2

(Continued)

OTHER PUBLICATIONS

KR Office Action dated Dec. 14, 2017 as received in Design Application No. 30-2017-0035275.

Primary Examiner — Jennifer Rivard

Assistant Examiner — Catherine S Posthauer

(74) *Attorney, Agent, or Firm* — Sterne, Kessler,
Goldstein & Fox P.L.L.C.

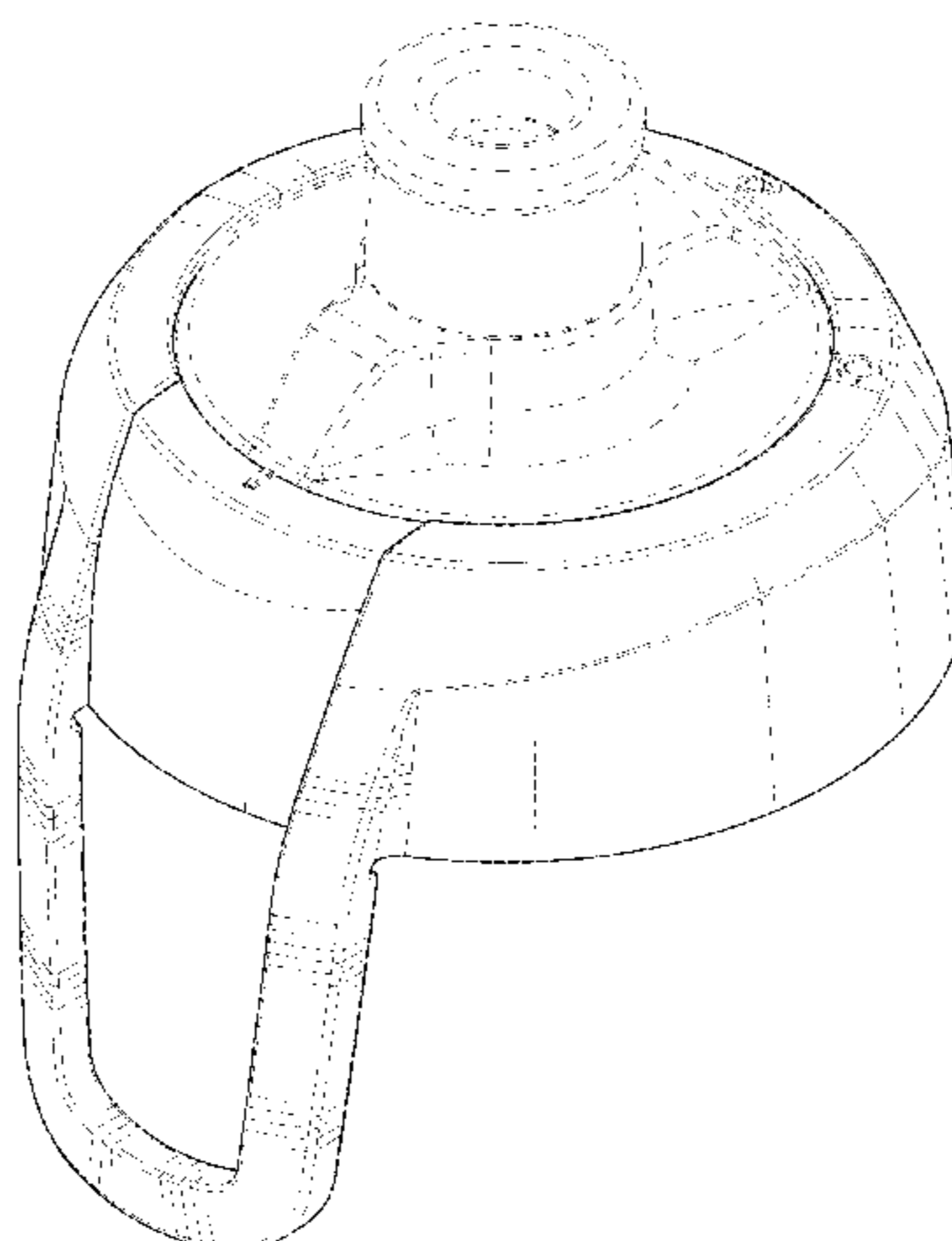
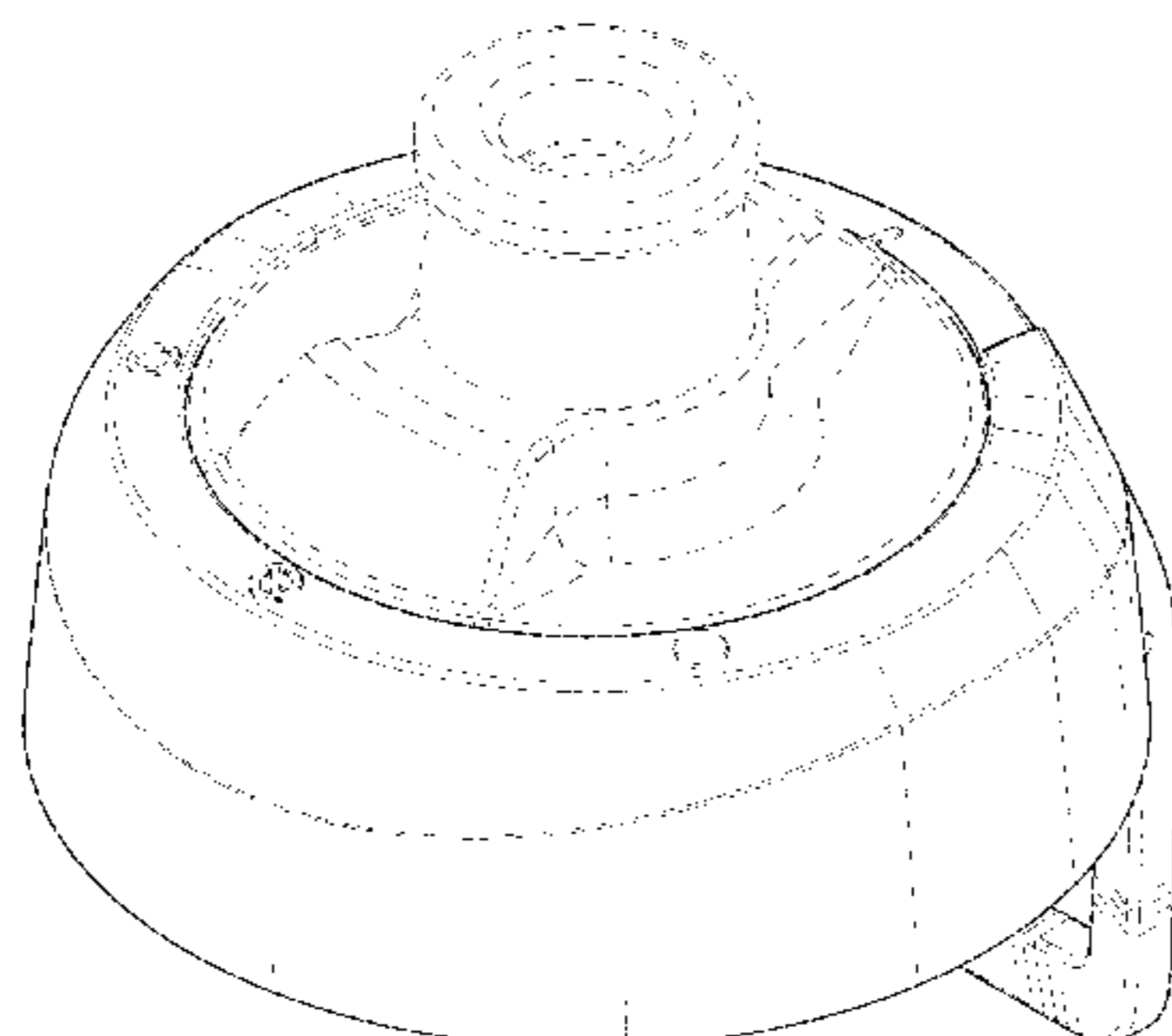
(57) **CLAIM**

The ornamental design for a closure, as shown and described.

DESCRIPTION

FIG. 1 is a top front perspective view of a closure;
FIG. 2 is a top rear perspective view of the closure shown in FIG. 1;
FIG. 3 is a front view of the closure shown in FIG. 1;
FIG. 4 is a rear view of the closure shown in FIG. 1;
FIG. 5 is a left side view of the closure shown in FIG. 1;
FIG. 6 is a right side view of the closure shown in FIG. 1;
FIG. 7 is a top view of the closure shown in FIG. 1; and,
FIG. 8 is a bottom view of the closure shown in FIG. 1.
The broken lines are shown for the purpose of illustrating environmental structure and parts of the article that form no part of the claimed design.

1 Claim, 8 Drawing Sheets



(56)

References Cited

U.S. PATENT DOCUMENTS

D745,827 S * 12/2015 Sorensen D7/392.1
D748,430 S * 2/2016 Sorensen D7/392.1
D749,416 S * 2/2016 Herbst D9/447
D760,027 S 6/2016 Meyers et al.
D761,648 S * 7/2016 Karl, IV D9/447
D784,084 S * 4/2017 Bartlett D7/511
D792,742 S 7/2017 Meyers et al.
9,694,953 B2 7/2017 Meyers et al.
D802,360 S * 11/2017 Rummel D7/392.1
D807,110 S * 1/2018 Lown D7/391
D809,389 S * 2/2018 Royer D9/454
9,944,509 B2 * 4/2018 Rumigny B65D 81/3227
2016/0200486 A1 7/2016 Meyers et al.
2017/0066640 A1 * 3/2017 Rumigny B65D 81/3227
2017/0283134 A1 10/2017 Meyers et al.
2018/0050844 A1 2/2018 Hirst et al.

* cited by examiner

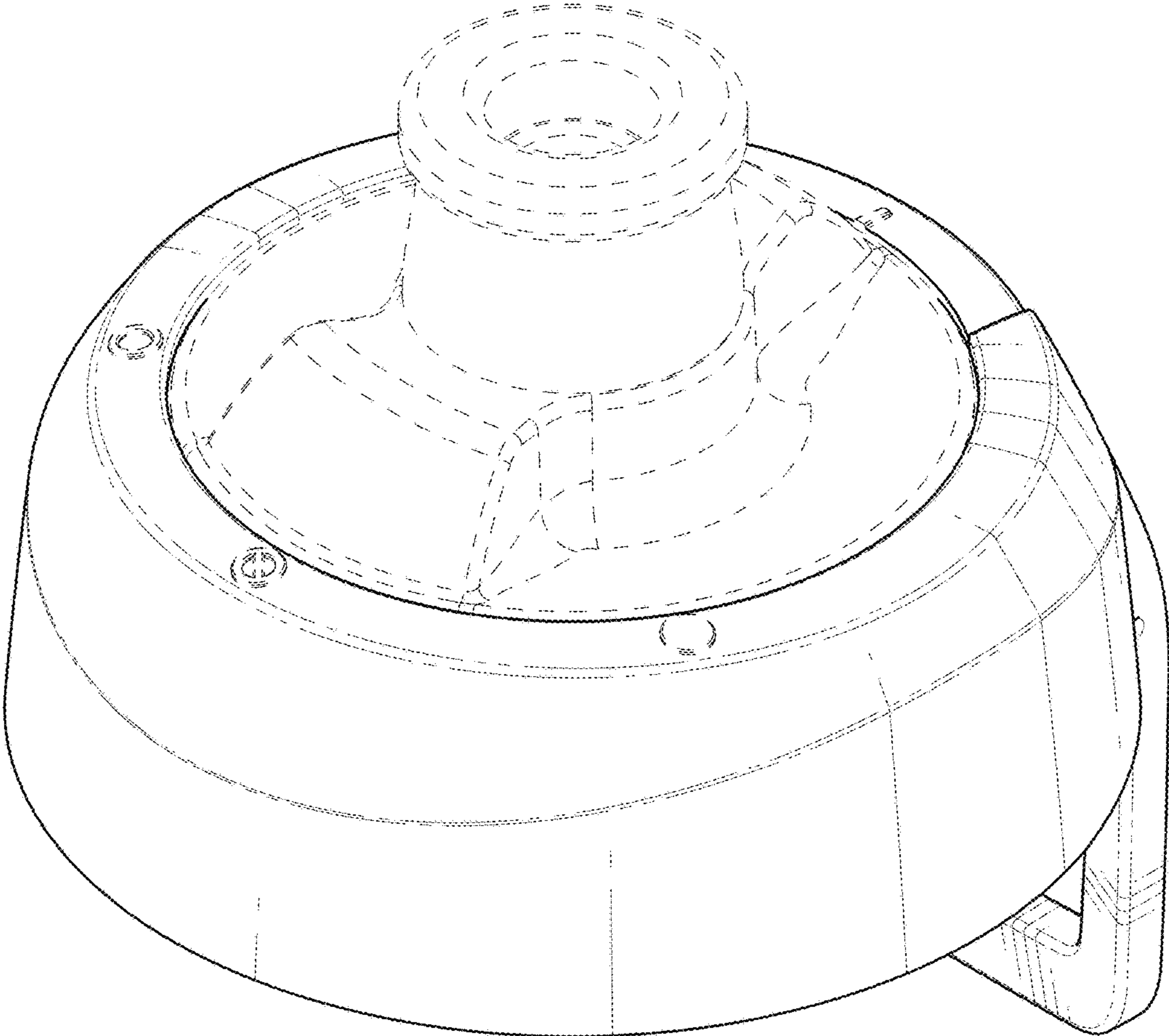


FIG. 1

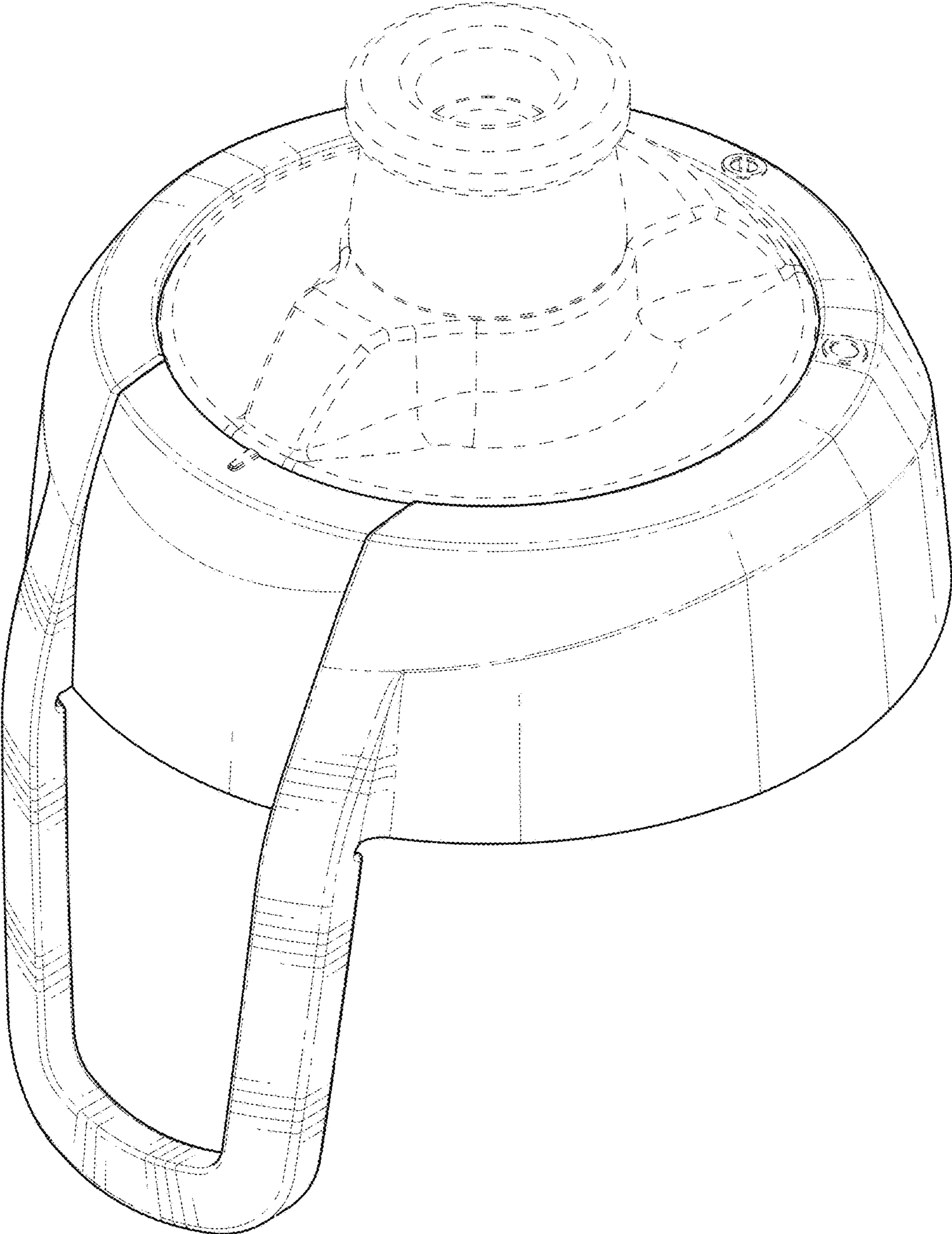


FIG. 2

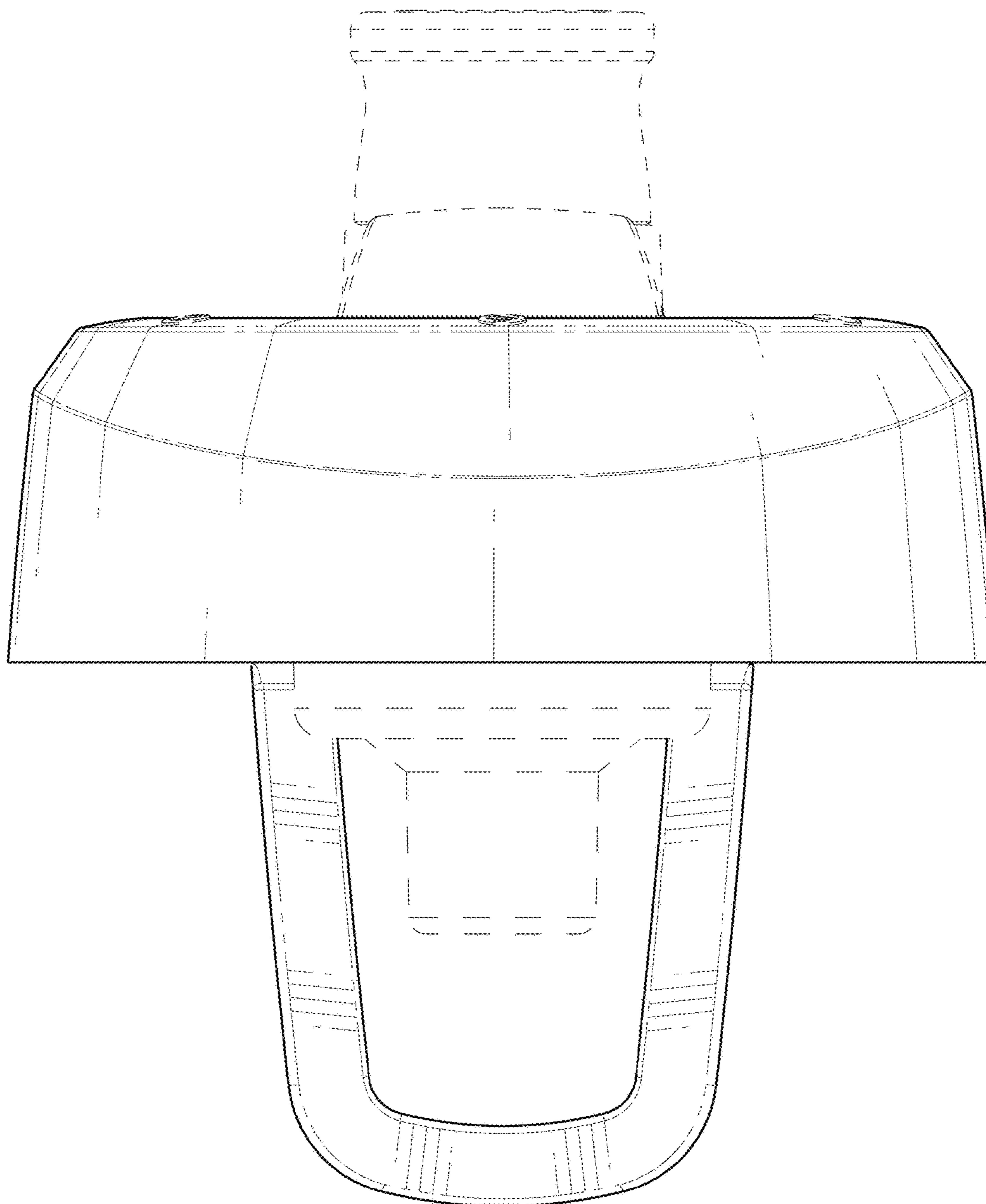


FIG. 3

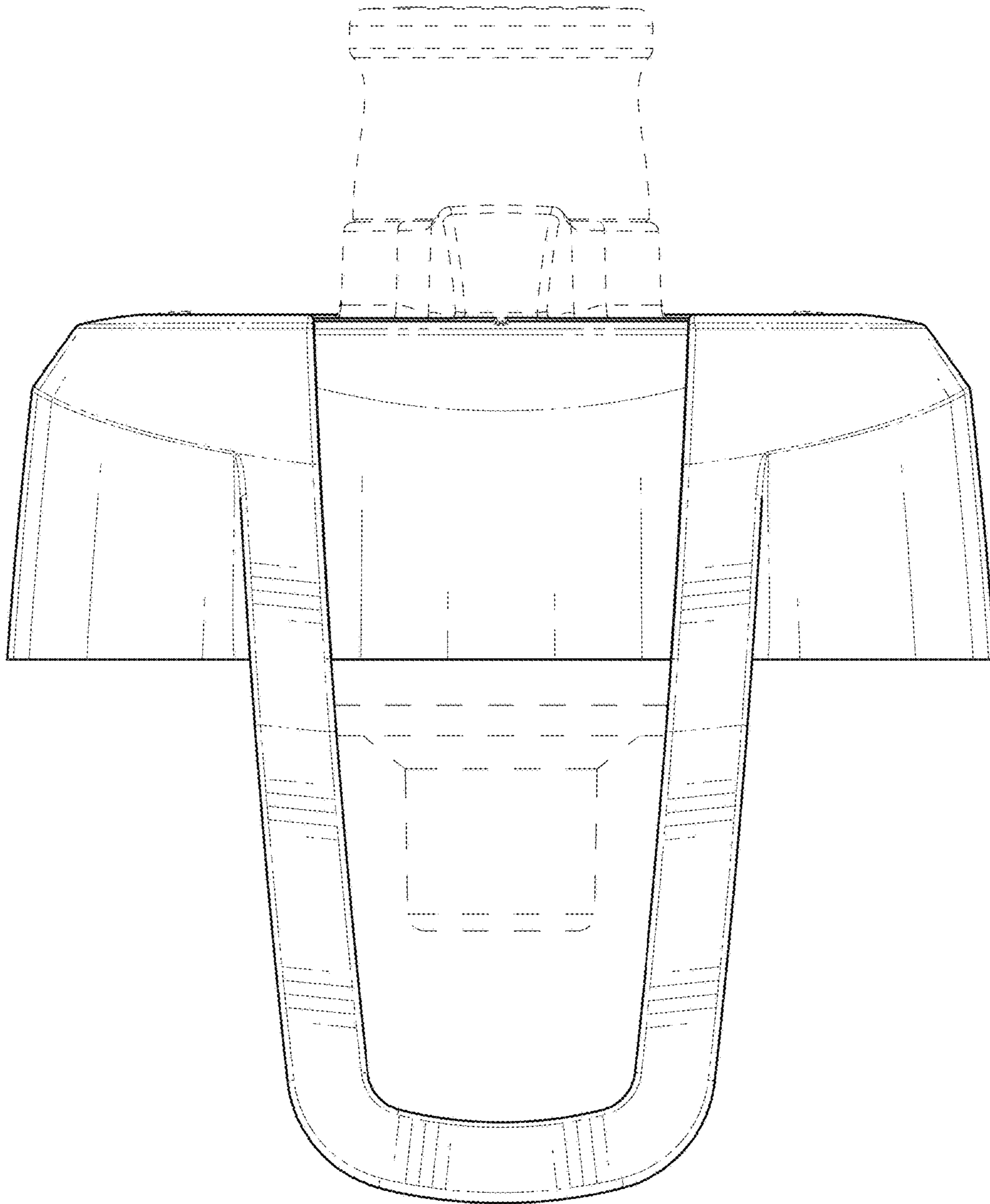


FIG. 4

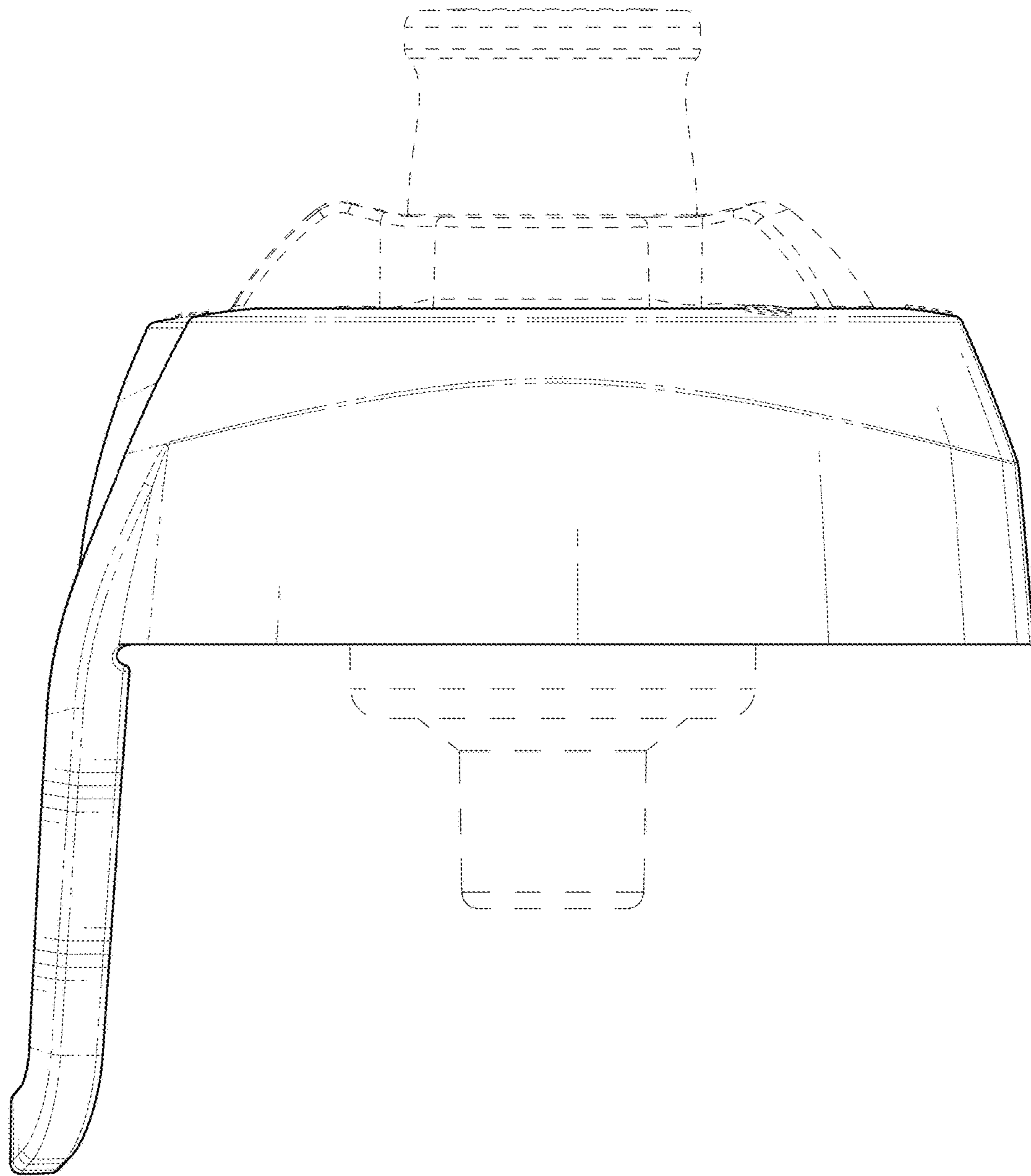


FIG. 5

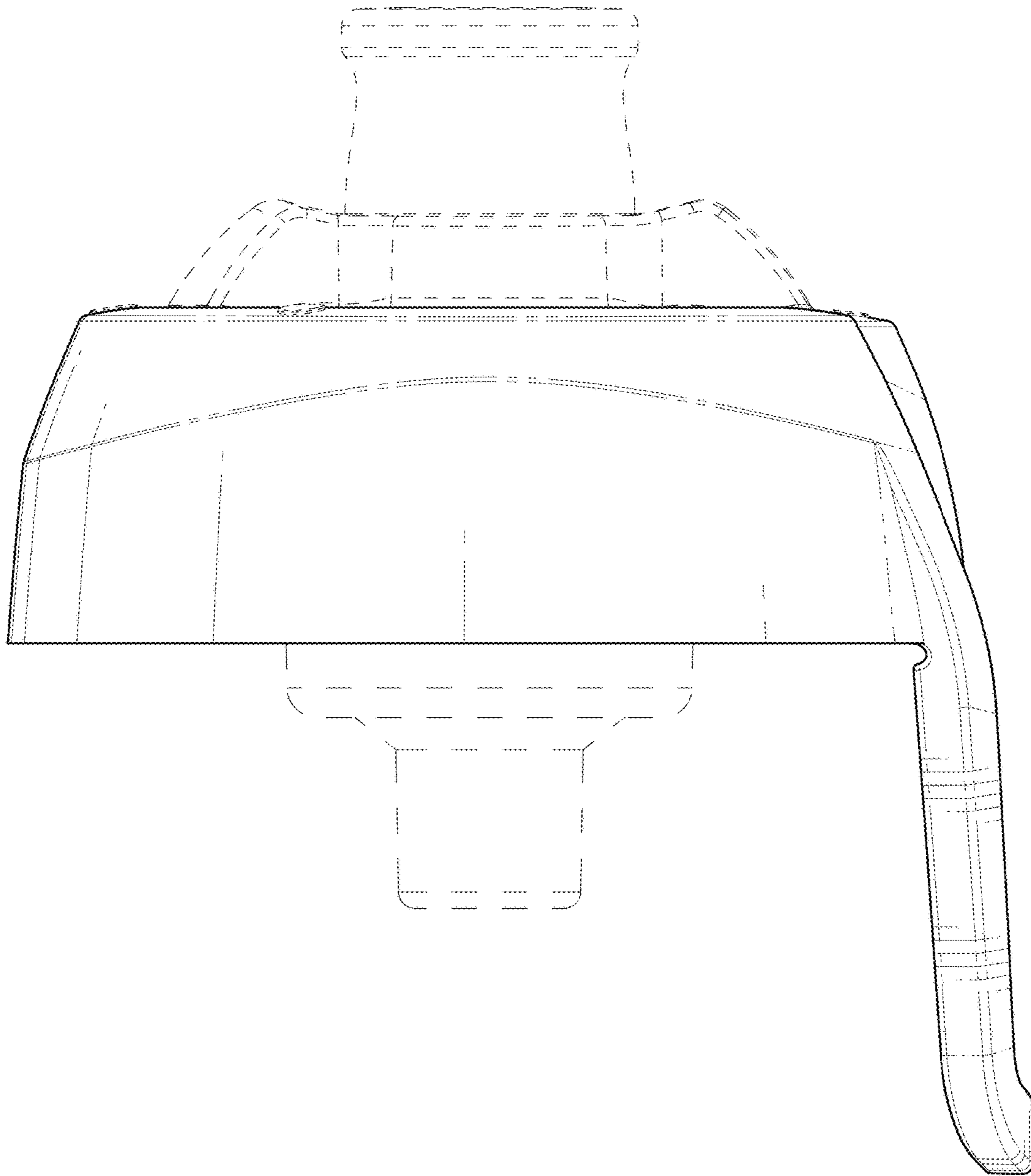


FIG. 6

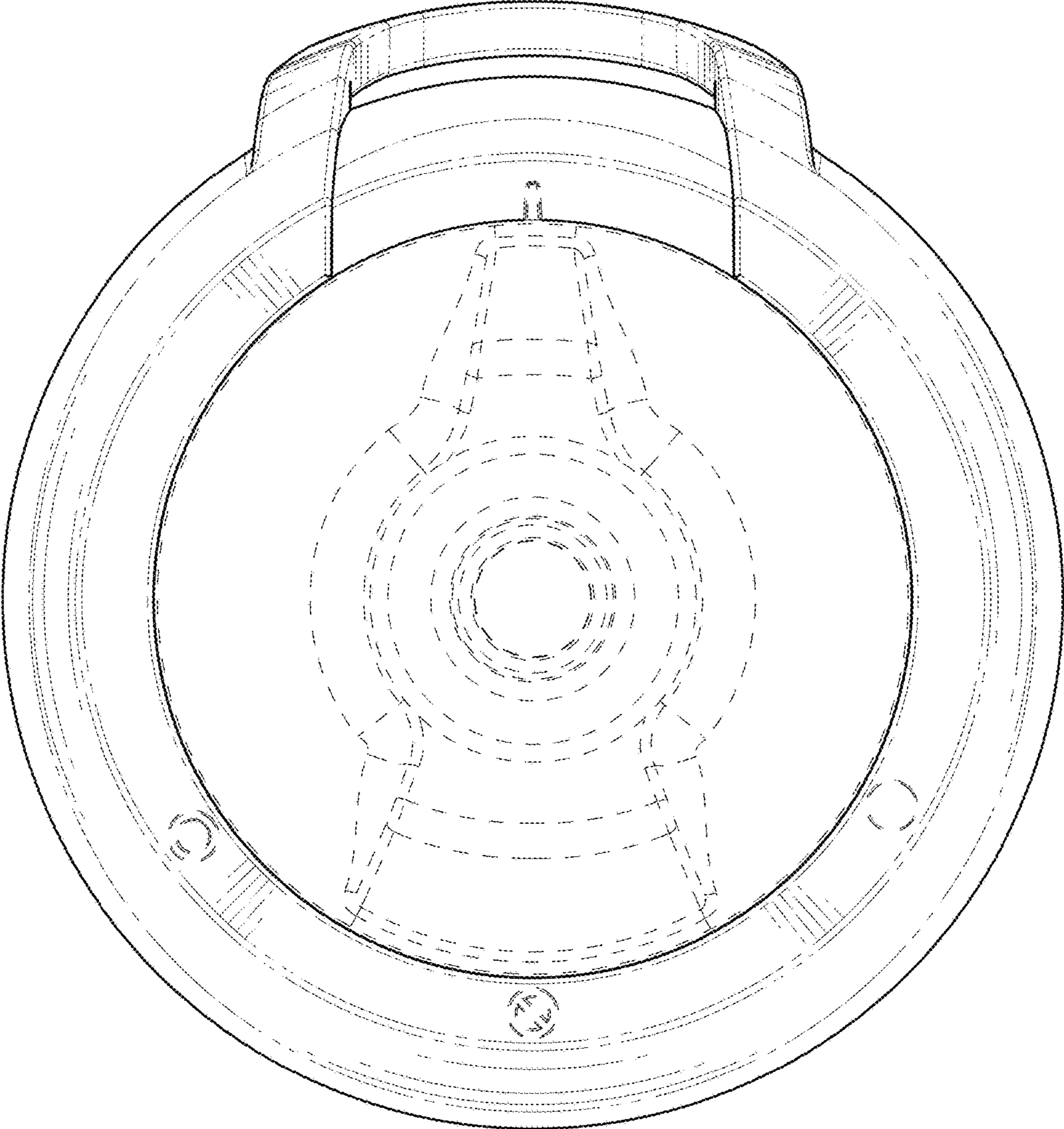


FIG. 7

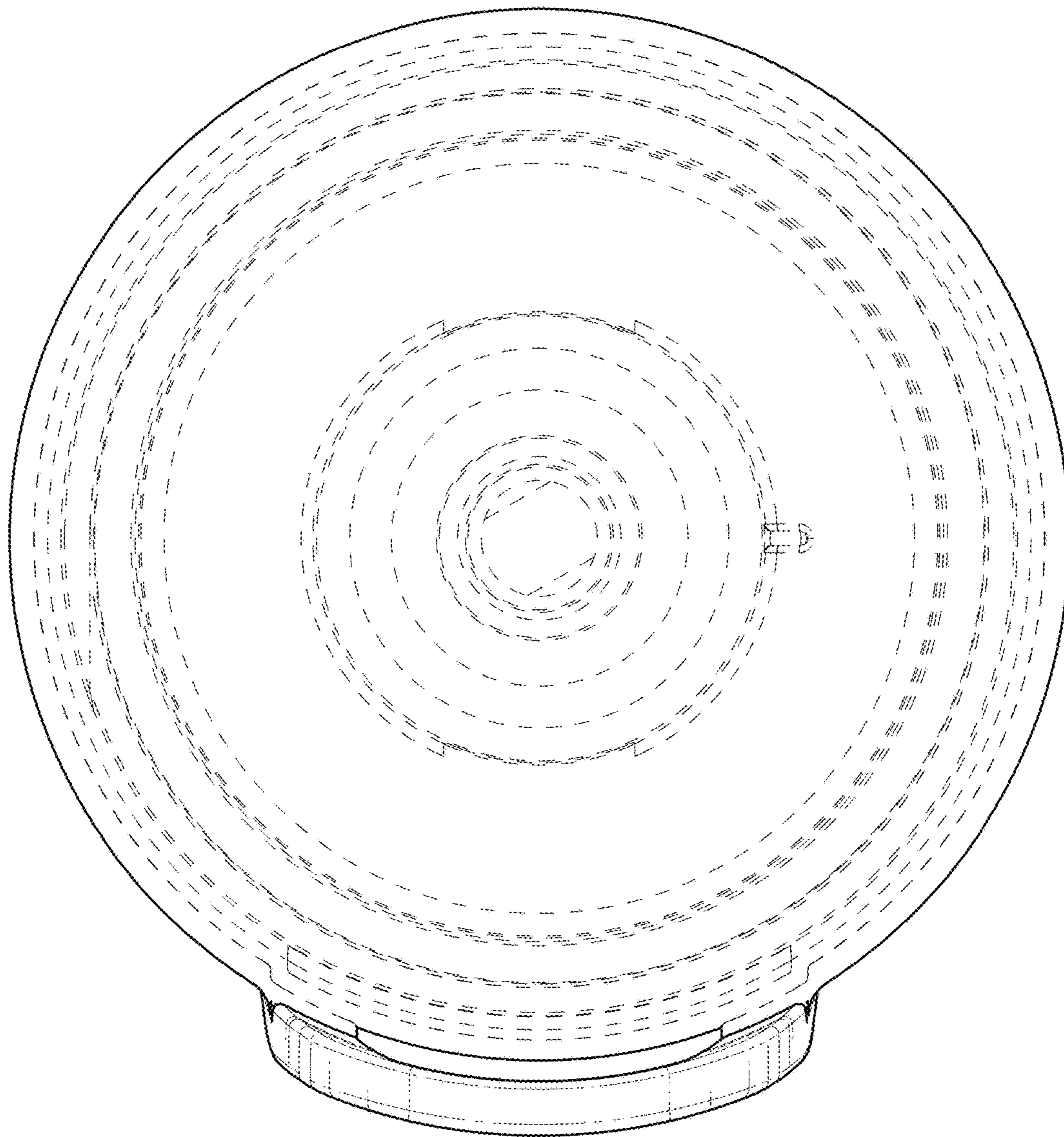


FIG. 8